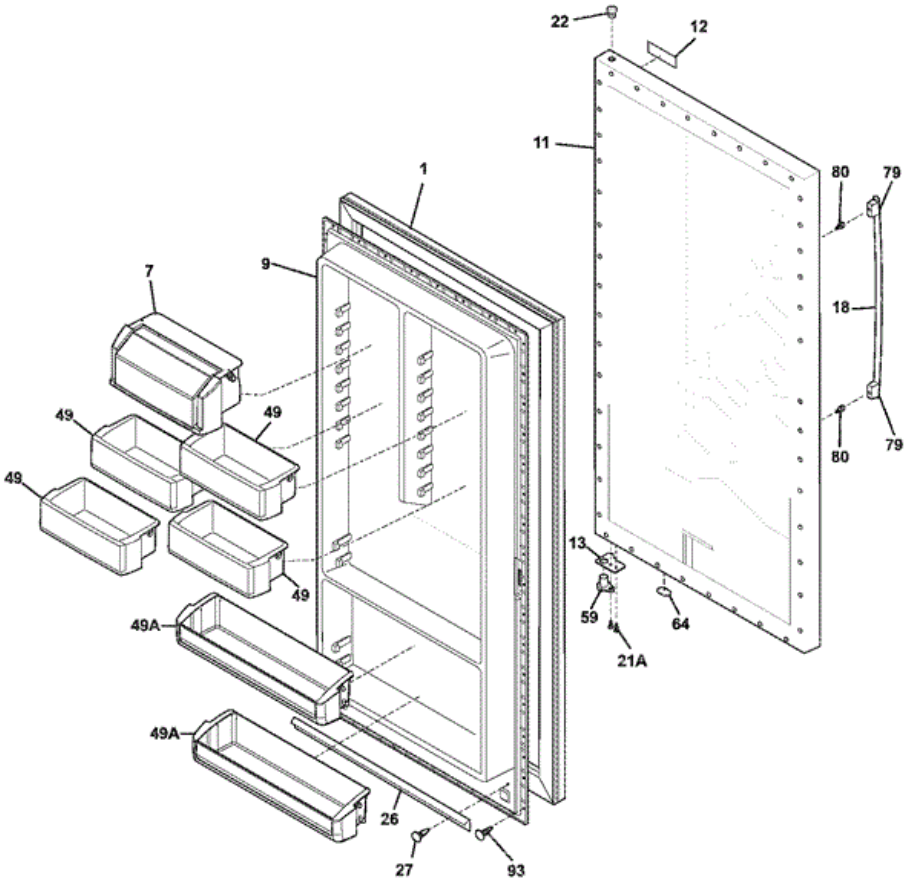


FPRH19D7LF1 DOOR





FPRH19D7LF1 DOOR

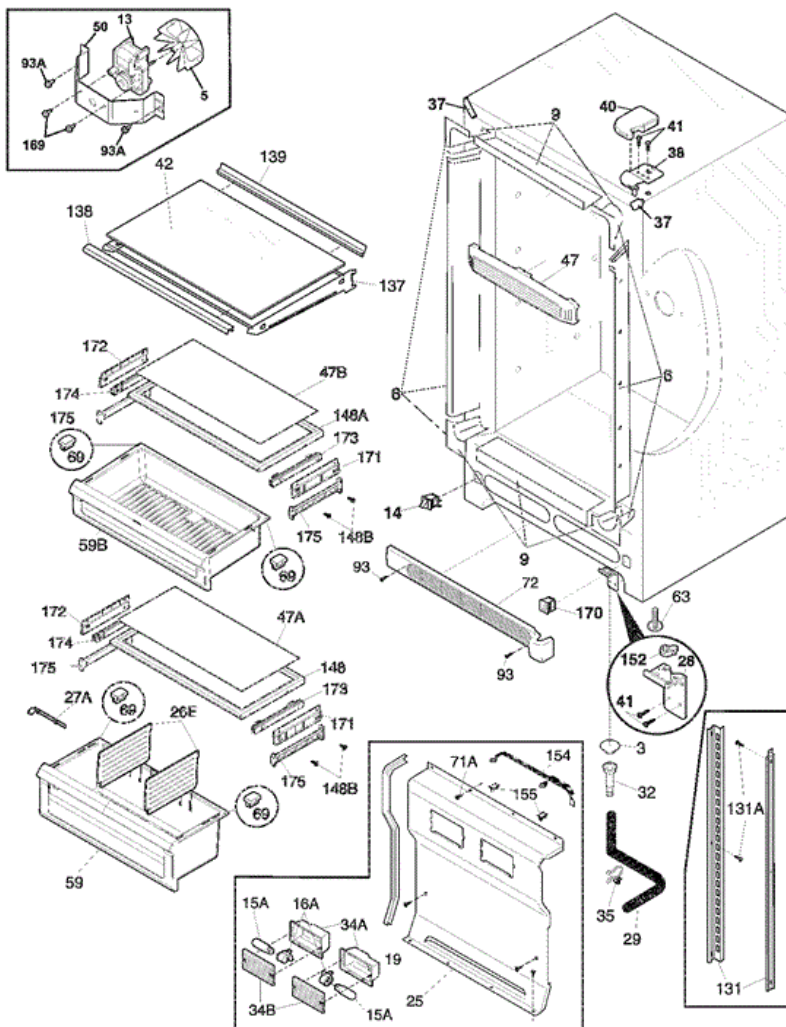
1	216522370	GASKET-DOOR,GRAY
7	297326200	DOOR-DAIRY
9	297280800	PANEL-INNER DOOR,FRZR
11	297353500	PANEL-OUTER DOOR,STAINLESS
12	242015101	NAMEPLATE
13	297302800	DOOR STOP,RH
18	297330300	HANDLE ASSEMBLY,STAINLESS ,W/ENDCAPS
21A	297197500	SCREW,DOOR STOP MTG ,FH38-16X.750 ,P TWIN
22	216970801	BEARING,HINGE ,GRAY ,TOP
26	216524201	GASKET,SECONDARY
27	5304472186	CLIP,PANEL MTG
49	297295300	BIN-DOOR,2-LITER
49A	297295400	BIN-DOOR,GALLON ,(2)
59	297302900	BEARING,DOOR STOP
64	216403701	PLUG-BUTTON,HOLE FILLER ,DOOR BASE
79	218755401	SCREW-SET,10-32 X 0.375
80	297347700	SCREW,HOURGLASS ,10-32 X .375
93	218781101	SCREW,PAN HEAD ,8-18 X 0.625
NI	241701901	SCREW DRIVER
NI	297048000	SCREW,ANCHOR ,NO.8 ,WHITE
NI	297175300	WRENCH,ALLEN
NI	297355300	LABEL,QUICK START
NI	5304406520	CLIP,PANEL MTG KIT ,(40)

Distribuidor Autorizado

SurteRápido.com

Venta de Refacciones
Electrodomesticas

FPRH19D7LF1 CABINET



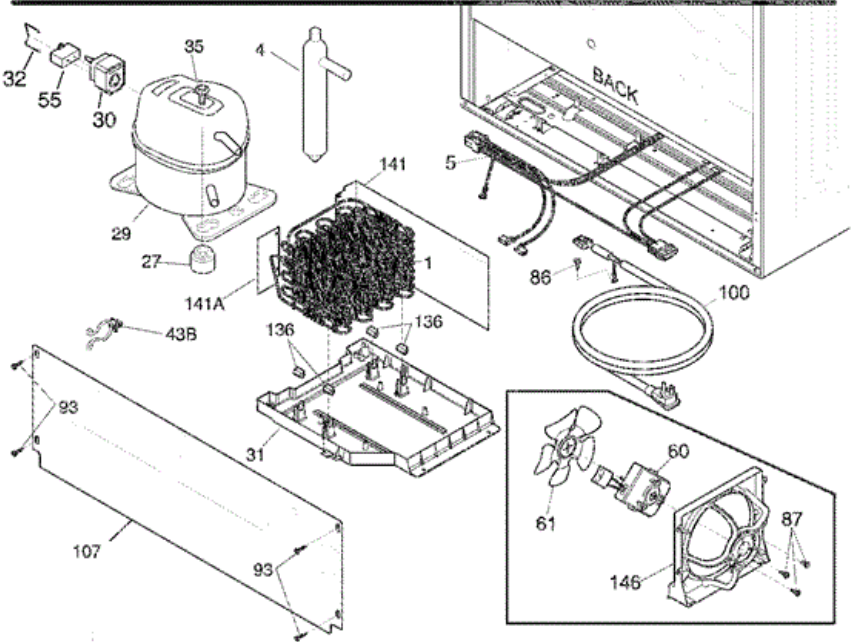
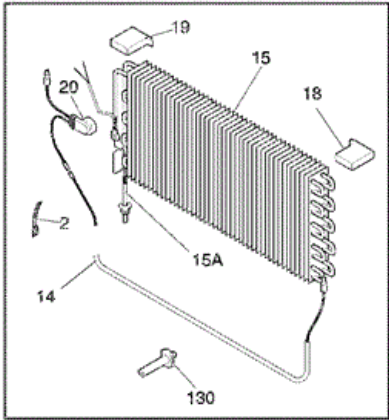
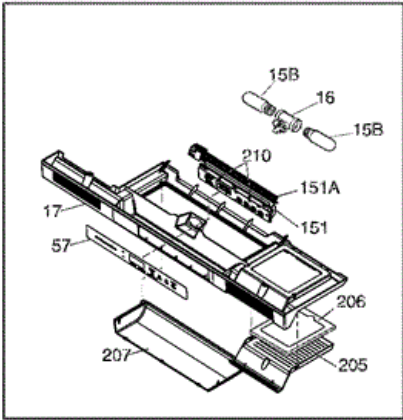


FPRH19D7LF1 CABINET

3	216503100	SCREEN-DRAIN
5	297259600	FAN BLADE, EVAPORATOR
6	297200900	BREAKER KIT W/CORNERS
9	297200100	BREAKER KIT W/CORNERS, 32`` , TOP AND BOTTOM
14	216822901	SWITCH, LIGHT/LAMP , RAMP
19	216204902	GASKET-EVAP COVER
25	297099254	COVER-EVAPORATOR
28	297302510	HINGE-LOWER, RH W/BEARING
29	216313501	HOSE-DRAIN
32	5308005500	DRAIN
35	216273000	CLIP, WIRE RETAINER
37	297273903	TRIM-CABINET CORNER, SILVER MIST ,(2)
38	297303900	HINGE-UPPER, RH
40	297304000	COVER-HINGE, GRAY , RH
41	297236250	SCREW, HEX HEAD , 1/4-20X5/8 , HINGE ,(4)
42	297265900	GLASS-SHELF
47	297192900	BAFFLE, AIR
50	8013207	BRACKET FAN MOTOR
59	297295700	BIN, CRISPER , ASSY
63	216396900	SCREW, LEVELING FOOT, PLASTIC, ADJUSTABLE
69	297297300	BUMPER, CRISPER
72	297036904	GRILLE/KICKPLATE, 32`` , GRAY
93	5304460605	SCREW, PH TRUSS HEAD , 8-18AB X 0.500
131	297130200	CHANNEL-SHELF MTG, SIDE ,(2)
137	297050600	FRAME-SHELF, CANTILEVER ,(2)
138	297261400	TRIM-SHELF, FRONT
139	297261500	TRIM-SHELF, REAR
148	297271700	FRAME-CRISPER COVER
152	297302700	BEARING-HINGE
154	297053000	WIRE, JUMPER
155	5303313703	CLIP, WIRE ,(2)
15A	297048600	LIGHT BULB/LAMP, SHORT
169	216912401	SCREW, HEX WASHER HEAD , 8-32 X 0.500

16A	297139501	SOCKET,LIGHT/LAMP ,25 W
170	297280403	VALVE,BREATHER
171	297092700	BRACKET,CRISPER COVER ,RH
172	297092701	BRACKET,CRISPER COVER ,LH
173	297291210	SLIDE,CRISPER ,RH ,W/CLIPS
174	297291211	SLIDE,CRISPER ,LH ,W/CLIPS
175	297099500	SUPPORT-CRISPER
26E	297099400	DIVIDER-CRISPER
27A	297295800	KNOB,HUMIDITY CONTRL
34A	297053102	SHIELD-LIGHT
34B	297053200	LENS,LIGHT
47A	297102705	GLASS,CRISPER COVER
47B	297102704	GLASS,CRISPER COVER
59B	297292300	DRAWER,DELI-ASSY
71A	297146820	SCREW,8-18AB X.470 QX
93A	297174300	SCREW, SELF PIERCE,NO.8 ,18X.63
F13	297250000	MOTOR,FAN ,115 V
F131	297146821	SCREW,TH ,8-18X.470 AB QX ,WHITE ,(6)
F148	297142600	SCREW,BLUNT ,8-32 X 5/8
F148	297271701	FRAME-CRISPER COVER,LOWER
NI	216327800	CLIP,WIRE
NI	297001704	INSULATION,24`` ,DRAIN TUBE
NI	297164650	BRACKET,LH LEG LEVELOR
NI	297164651	BRACKET,RH LEG LEVELOR
NI	297330200	ENERGY GUIDE

FPRH19D7LF1 SYSTEM





FPRH19D7LF1 SYSTEM

15A	297319400	HEAT EXCHANGER
15B	297114000	LIGHT BULB,SHORT ,BLUE TINT ,40W
2	5308000110	STRAP-EVAP/HEATER,ALUMINUM ,(2)
16	241622802	SOCKET-LIGHT,FRZ LIGHT
17	297269000	BOX-CONTROL
18	297078701	INSULATOR-EVAP,STYROFOAM ,RH
19	297078801	INSULATOR-EVAP,STYROFOAM ,LH
20	216731001	THERMOSTAT, DEFROST
27	297293300	GROMMET,COMPRESSOR
30	216954210	CONTROLLER
31	297165800	PAN-DRAIN
32	241544101	CLAMP,ELEC CONT MTG ,COMPRESSOR ,BALE WIRE
35	297368500	BOLT,COMPRESSOR
43B	297315800	CLIP,WIRE
55	216985001	CAPACITOR-RUN,15 MF
57	297269400	OVERLAY
61	241639501	BLADE-CONDENSER FAN
86	216036601	SCREW,RWHD ,8-32A X 0.500 ,GX-CA
87	5304463290	SCREW,HI-LO BLUNT ,NO.8-18X1/2
93	5304460605	SCREW,PH TRUSS HEAD ,8-18AB X 0.500
107	297165400	SHIELD,COMPRESSOR ,COMPARTMENT
130	297244700	SUPPORT,EVAPORATOR MTG
136	240405201	GROMMET,RUBBER ,BLACK ,COND TUBE/WIRE
141	297164200	DIVIDER,AIR FLOW
146	297164000	SHROUD-FAN ORFICE
205	297294301	HOLDER,AIR FILTER
206	242047801	FILTER-AIR
207	297294500	SHIELD-LIGHT,CLEAR
208	297355201	GUARD-WIRE
210	216905301	SCREW,PH 3-24X.25 ,ELECTRONIC ASSY
F1	297152200	CONDENSER,DYNAMIC
F100	297169905	CORD-POWER,ANGLED
F14	216730700	HEATER-DEFROST

F141	297194700	DIVIDER,SMALL ,AIR FLOW
F146	216337701	SCREW,HWH ,10-24 X 0.500 ,SWAGE
F15	216997300	EVAPORATOR
F151	297326500	ELECTRONIC CONTROL,ASSY
F151	297327800	HARNESS-JUMPER
F29	297068200	COMPRESSOR,W/O ELECTRICALS
F4	216938601	DRIER-FILTER
F5	297334000	HARNESS-MAIN
F60	297279500	MOTOR-CONDENSER FAN
NI	216502500	SLEEVE,SUCTION LINE
NI	240555002	SCREW-NO.8-32 X 3/8
NI	297110400	THERMISTOR
NI	297174300	SCREW, SELF PIERCE,NO.8 ,18X.63