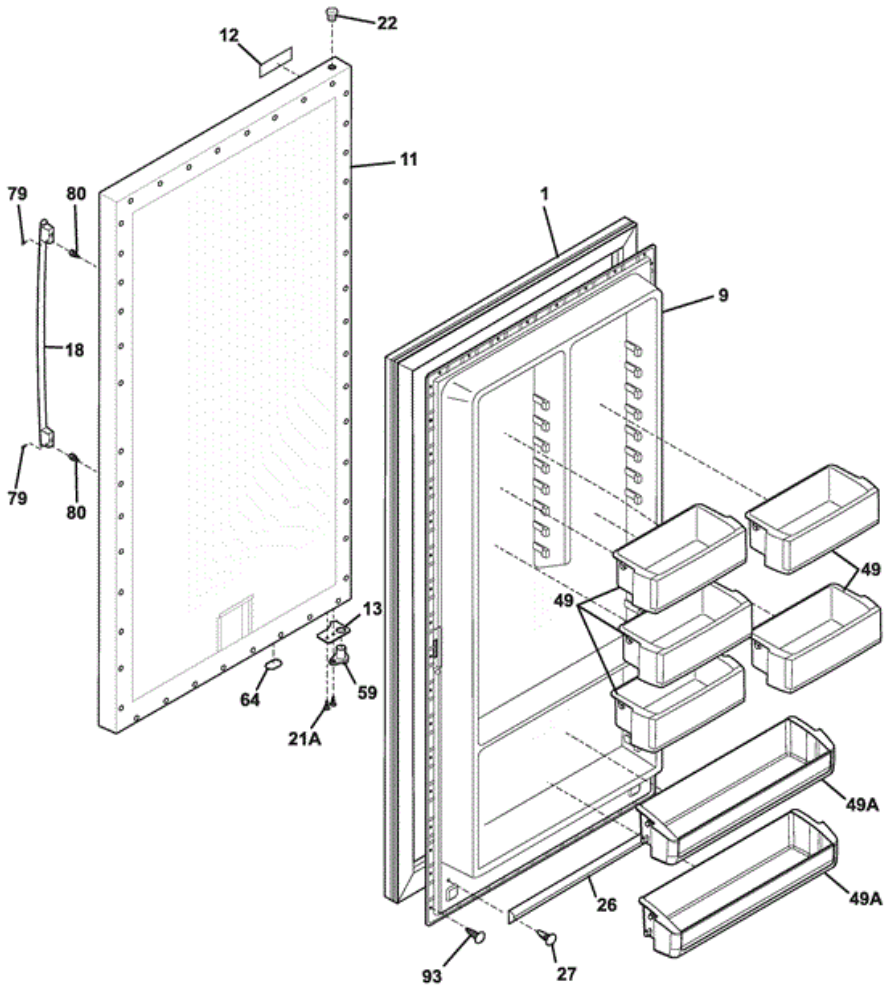


FPUH19D7LF1 DOOR





FPUH19D7LF1 DOOR

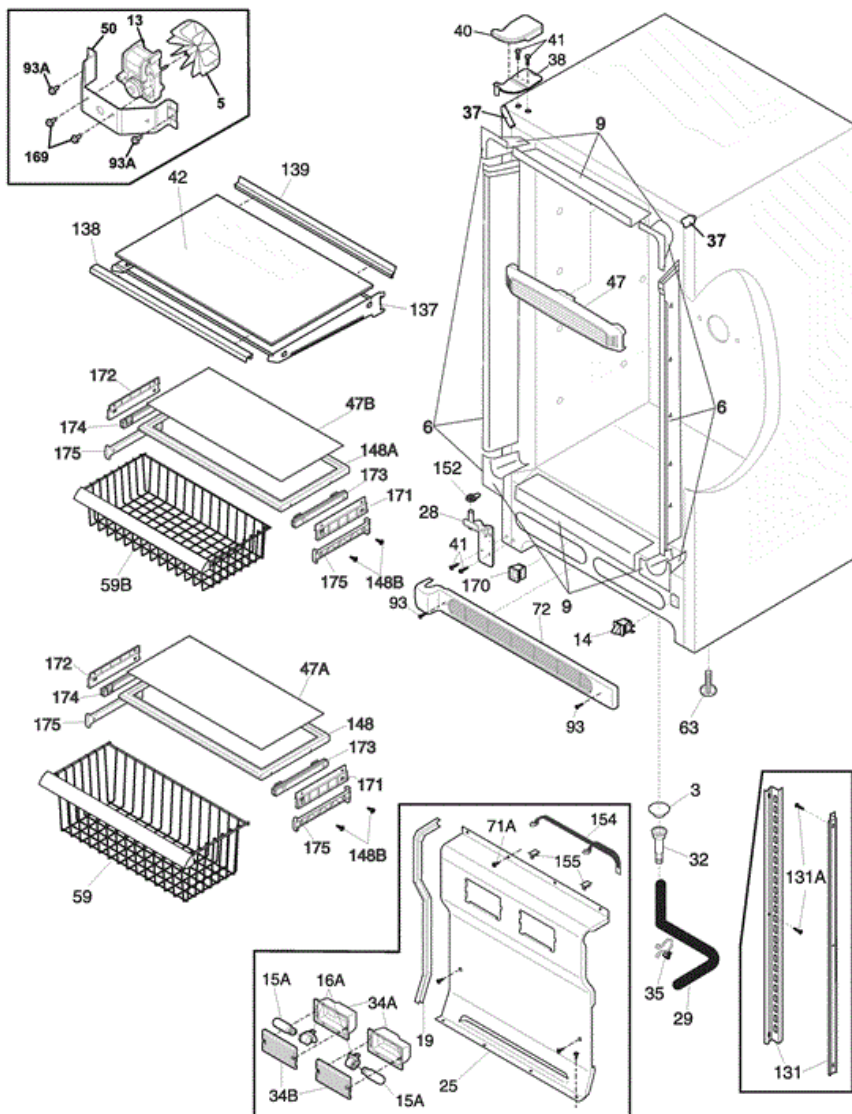
1	216522370	GASKET-DOOR,GRAY
9	297280800	PANEL-INNER DOOR,FRZR
11	297329301	PANEL-OUTER DOOR,STAINLESS STEEL
12	242015101	NAMEPLATE
13	297302801	DOOR STOP,LH
18	297330300	HANDLE ASSEMBLY,STAINLESS ,W/ENDCAPS
21A	297197500	SCREW,DOOR STOP MTG ,FH38-16X.750 ,P TWIN
22	216970801	BEARING,HINGE ,GRAY ,TOP
26	216524201	GASKET,SECONDARY
27	5304472186	CLIP,PANEL MTG
49	297295300	BIN-DOOR,2-LITER
49A	297295400	BIN-DOOR,GALLON ,(2)
59	297302900	BEARING,DOOR STOP
64	216403701	PLUG-BUTTON,HOLE FILLER ,DOOR BASE
79	218755401	SCREW-SET,10-32 X 0.375
80	218755504	SCREW-SHOULDER,NO.10 AB ,HANDLE MOUNTING
80	297347700	SCREW,HOURGLASS ,10-32 X .375
93	5304460605	SCREW,PH TRUSS HEAD ,8-18AB X 0.500
NI	240537301	NUT-ANCHOR,DOOR HDL SCREW
NI	241701901	SCREW DRIVER
NI	297175300	WRENCH,ALLEN
NI	297355300	LABEL,QUICK START
NI	5304406520	CLIP,PANEL MTG KIT ,(40)

Distribuidor Autorizado

SurteRápido.com

Venta de Refacciones
Electrodomesticas

FPUH19D7LF1 CABINET



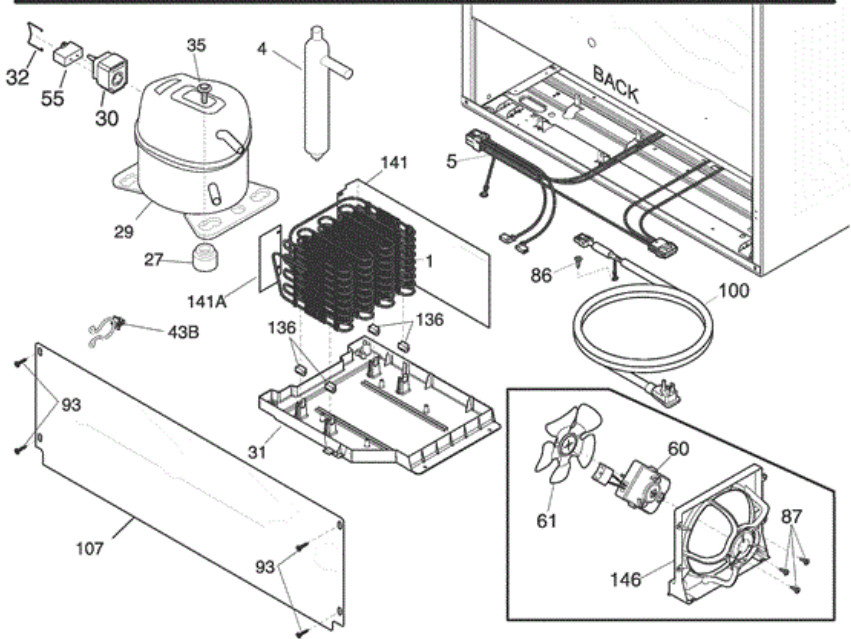
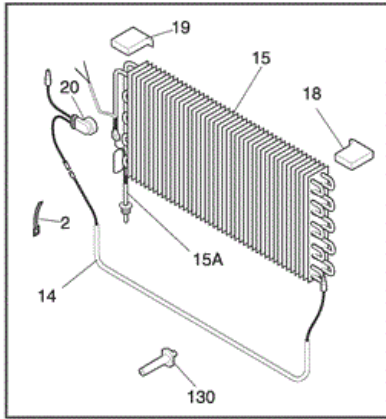
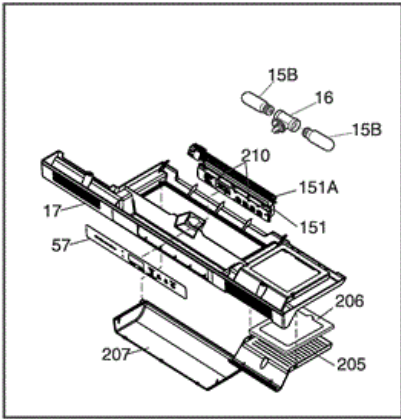


FPUH19D7LF1 CABINET

14	216822901	SWITCH,LIGHT/LAMP ,RAMP
15A	297048600	LIGHT BULB/LAMP,SHORT
16A	297139501	SOCKET,LIGHT/LAMP ,25 W
3	216503100	SCREEN-DRAIN
5	297259600	FAN BLADE,EVAPORATOR
19	216204902	GASKET-EVAP COVER
25	297099254	COVER-EVAPORATOR
28	297302511	HINGE-LOWER,LH W/BEARING
29	216313501	HOSE-DRAIN
32	5308005500	DRAIN
34A	297053102	SHIELD-LIGHT
34B	297053200	LENS,LIGHT
35	216273000	CLIP,WIRE RETAINER
37	297273903	TRIM-CABINET CORNER,SILVER MIST ,(2)
38	297303901	HINGE-UPPER,LH
40	297304001	COVER-HINGE,GRAY ,LH
41	297236250	SCREW,HEX HEAD ,1/4-20X5/8 ,HINGE
42	297265900	GLASS-SHELF
47	297192900	BAFFLE,AIR
47A	297102705	GLASS,CRISPER COVER
47B	297102704	GLASS,CRISPER COVER
50	8013207	BRACKET FAN MOTOR
59	297270000	BASKET,ASSY BOTTOM
131	297130200	CHANNEL-SHELF MTG,SIDE ,(2)
137	297050600	FRAME-SHELF,CANTILEVER ,(2)
138	297261400	TRIM-SHELF,FRONT
139	297261500	TRIM-SHELF,REAR
148	297271703	FRAME,CRISPER-COVER ,BTM
152	297302700	BEARING-HINGE
154	297053000	WIRE,JUMPER
155	5303313703	CLIP,WIRE
169	216912401	SCREW,HEX WASHER HEAD ,8-32 X 0.500
170	297280403	VALVE,BREATHER

171	297092700	BRACKET,CRISPER COVER ,RH
172	297092701	BRACKET,CRISPER COVER ,LH
173	297291200	SLIDE-BASKET,RH ,W/CLIPS
174	297291201	SLIDE-BASKET,LH ,W/CLIPS
175	297099500	SUPPORT-CRISPER
59B	297269700	BASKET,ASSY-MID LEVEL
6	297200900	BREAKER KIT W/CORNERS
9	297200100	BREAKER KIT W/CORNERS,32`` ,TOP AND BOTTOM
63	216396900	SCREW, LEVELING FOOT, PLASTIC, ADJUSTABLE
71A	297146820	SCREW,8-18AB X.470 QX
72	297036904	GRILLE/KICKPLATE,32`` ,GRAY
93	216858001	SCREW,8-18X.50 AB ,NO.10
93A	297174300	SCREW, SELF PIERCE,NO.8 ,18X.63
F13	297250000	MOTOR,FAN ,115 V
F131	297146821	SCREW,TH ,8-18X.470 AB QX ,WHITE ,(6)
F148	297142600	SCREW,BLUNT ,8-32 X 5/8
F148	297271704	FRAME,CRISPER ,MID-LEVEL
NI	216327800	CLIP,WIRE
NI	297001704	INSULATION,24`` ,DRAIN TUBE
NI	297164650	BRACKET,LH LEG LEVELOR
NI	297164651	BRACKET,RH LEG LEVELOR
NI	297305500	CLIP,CRISPER
NI	297330100	ENERGY GUIDE

FPUH19D7LF1 SYSTEM





FPUH19D7LF1 SYSTEM

15A	297217900	HEAT EXCHANGER,SUCT/CAP TUBE
15B	297114000	LIGHT BULB,SHORT ,BLUE TINT ,40W
2	5308000110	STRAP-EVAP/HEATER,ALUMINUM ,(2)
4	216987501	FILTER-DRYER
16	241622802	SOCKET-LIGHT,FRZ LIGHT
17	297269000	BOX-CONTROL
18	297078701	INSULATOR-EVAP,STYROFOAM ,RH
19	297078801	INSULATOR-EVAP,STYROFOAM ,LH
20	297216600	THERMOSTAT,DEFROST
27	297293300	GROMMET,COMPRESSOR
30	216954218	CONTROLLER
31	297165800	PAN-DRAIN
32	216954300	CLIP,CONTROLLER
35	240491503	SCREW-COMPRESSOR MTG,1/4-28 X 1.16 ,(4)
43B	297315800	CLIP,WIRE
55	297286802	CAPACITOR-RUN,250 VA ,12 MF
57	297269400	OVERLAY
60	297279500	MOTOR-CONDENSER FAN
61	241639501	BLADE-CONDENSER FAN
86	216036601	SCREW,RWHD ,8-32A X 0.500 ,GX-CA
87	5304463290	SCREW,HI-LO BLUNT ,NO.8-18X1/2
93	5304460605	SCREW,PH TRUSS HEAD ,8-18AB X 0.500
107	297165400	SHIELD,COMPRESSOR ,COMPARTMENT
130	297244700	SUPPORT,EVAPORATOR MTG
136	240405201	GROMMET,RUBBER ,BLACK ,COND TUBE/WIRE
141	297164200	DIVIDER,AIR FLOW
146	297164000	SHROUD-FAN ORFICE
205	297294301	HOLDER,AIR FILTER
206	242047801	FILTER-AIR
207	297294500	SHIELD-LIGHT,CLEAR
208	297355201	GUARD-WIRE
210	216905301	SCREW,PH 3-24X.25 ,ELECTRONIC ASSY
F1	297152200	CONDENSER,DYNAMIC

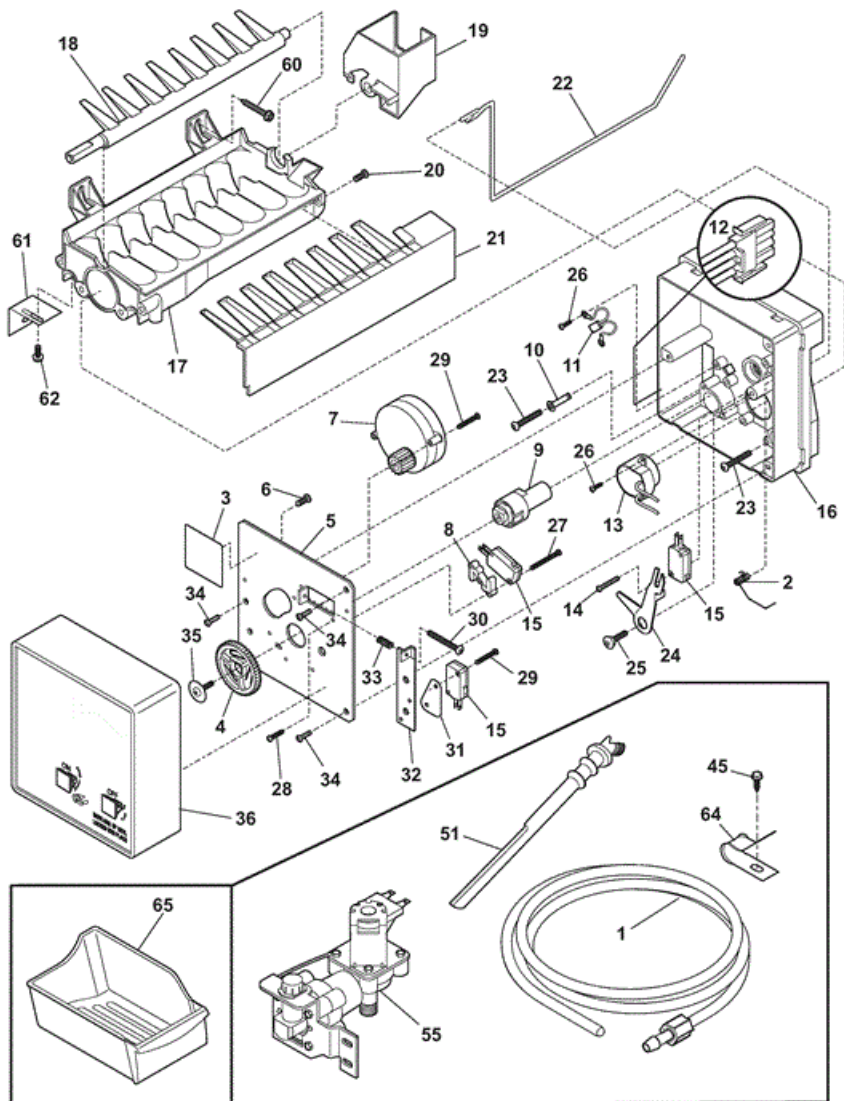
F100	297169900	CORD-POWER,FLAT
F14	216730700	HEATER-DEFROST
F141	297194700	DIVIDER,SMALL ,AIR FLOW
F146	216337701	SCREW,HWH ,10-24 X 0.500 ,SWAGE
F15	216997300	EVAPORATOR
F151	297326502	ELECTRONIC CONTROL,ASSEMBLY
F151	297327800	HARNESS-JUMPER
F29	297223400	COMPRESSOR
F5	297327501	HARNESS-MAIN
NI	216502500	SLEEVE,SUCTION LINE
NI	240555002	SCREW-NO.8-32 X 3/8
NI	297014702	PLUG-SUCTION LINE
NI	297102800	SPACER-TUBE
NI	297110400	THERMISTOR
NI	297174300	SCREW, SELF PIERCE,NO.8 ,18X.63

Distribuidor Autorizado

SurteRápido.com

Venta de Refacciones
Electrodomesticas

FPUH19D7LF1 ICE MAKER





FPUH19D7LF1 ICE MAKER

1	297044904	TUBE-WATER INLET
2	5304456650	SPRING-SHUTOFF ARM,ICE MAKER
3	5304456657	NAMEPLATE
4	5304456658	GEAR
5	5304456659	PLATE-MOUNTING
6	5304456691	SCREW,M 3X20 NO.3 , VALVE PLATE
8	5304456661	SPACER-HOLD SWITCH
9	5304456662	CAM
10	5304456689	WASHER,NYLON
13	5304456665	THERMOSTAT,ICE MAKER
14	5304456666	SCREW,M 3X20 NO.2 ,(6)
16	5304456668	SUPPORT
17	5304456669	MOLD-ICE MAKER,W/THERM CUT OFF
18	5304456670	EJECTOR-ICE
19	5304456671	BEARING & INLET,FILL CUP
20	5304456677	SCREW,8-32 X 3/8
21	5304456672	ICE STRIPPER
22	5304456673	SHUT-OFF ARM
23	5304456674	SCREW,M 4X25 NO.2 ,MOLD-TO-SUPPORT ,(2)
24	5304456675	LEVER ARM
25	5304456676	SCREW,M 4X12.8 NO.2 ,LEVER ARM/SPRT
26	5304456680	SCREW,PLASK ,4-14 X 3/8
27	5304456677	SCREW,M 3X25 NO.3 ,HOLD SWITCH MTG ,(2)
28	5304456660	SCREW,M 4X6 NO.2
29	5304456678	SCREW,M 3X12 NO.3 ,(2)
30	5304456679	SCREW-TIMING ADJ,M 4X25 NO.3
31	5304456680	INSULATOR
32	5304456681	PLATE-VALVE SWITCH
33	5304456682	SPRING,TIMING ADJUST
34	5304456683	SCREW,M 4X12 NO.2 ,(3)
35	5304456684	SCREW
36	297306700	COVER-ICE MAKER
45	5304456650	SCREW,HEX WASHER HEAD ,8-15A X 0.625

51	216887500	TUBE,WATER ,ICE MAKER
60	218362501	SCREW,HEX WASHER HEAD ,8-18AB X
61	5304456686	BRACKET-LEVELING,ICE MAKER
62	5304456687	SCREW-IM BRKT MTG,PAN HD PHILLIPS ,8-32T X 0.375
64	5304455846	CLAMP, .31 ID ,STEEL ,WATER TUBE
65	240385201	CONTAINER,ICE BIN
F11	5304456663	THERMAL CUTOFF,ICE MAKER ,COMPLETE ASSY
F12	5304456875	HARNESS-WIRING,ICEMAKER
F15	5304456667	SWITCH-MICRO,(3)
F55	241803701	VALVE-WATER,SINGLE SOLENOID , 60 HZ ,105/120 V
F7	5304445222	MOTOR-ICE MAKER SVO
NI	240561701	SEAL-WATER INLET,INLET VALVE ,TO ICE MAKER
NI	297345200	ICE MAKER,RADIUS CUBE ,115 V ,SVCE
NI	5304445223	SPRING BEAM
NI	5304456688	TERMINAL
NI	5304456690	LABEL,ID PLATE
NI	5304456692	WASHER
NI	5304456693	NUT,M 3.5
NI	5304456737	WASHER