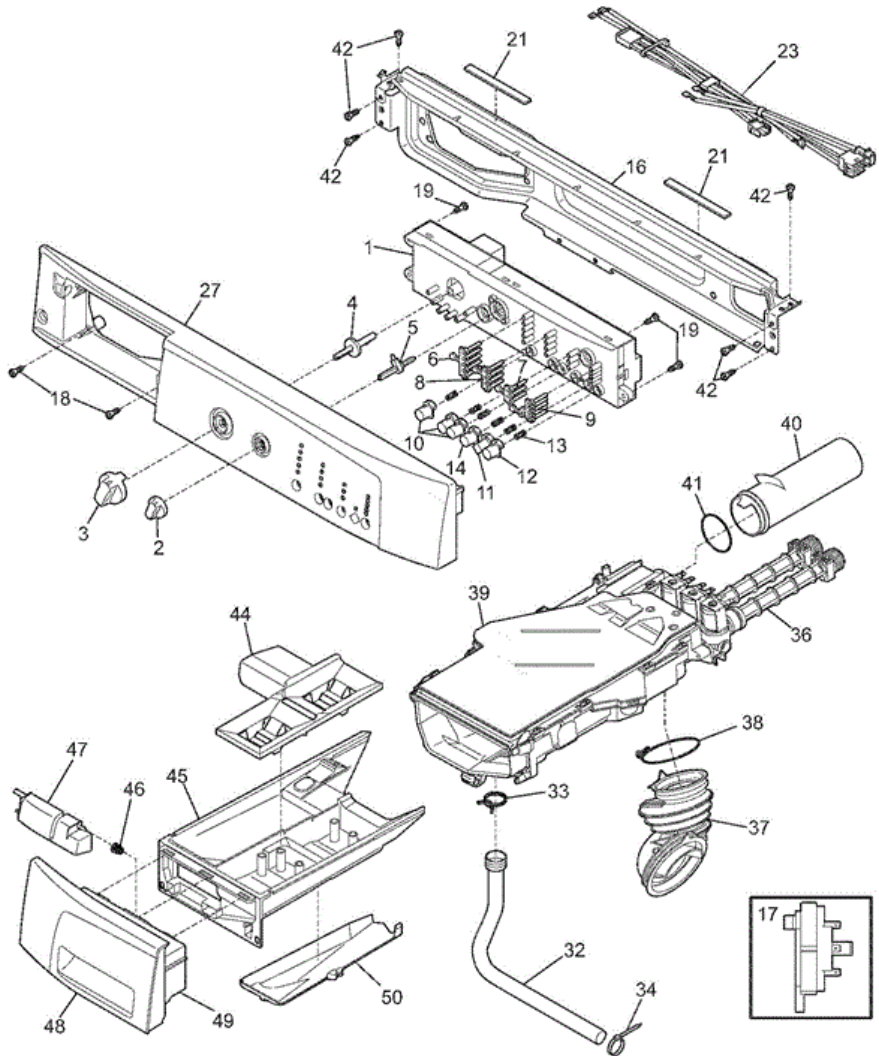


FRFW3700LW0 CONTROL





FRFW3700LW0 CONTROL

1	137005005	CONTROL BOARD,PC ,WITH HOUSING
2	134432000	KNOB,FUNCTION
3	134431900	KNOB,PROGRAM
4	134347700	PIN,PROGRAM KNOB
5	134347300	PIN,FUNCTION KNOB
6	134429100	LIGHT PIPE,ARRAY ,1 ROW OF 5
7	134429300	LIGHT PIPE,ARRAY ,3 ROW OF 3
8	134429200	LIGHT PIPE,ARRAY ,2 ROW OF 4
9	134429400	LIGHT PIPE,ARRAY ,4 START GROUP
10	134385100	PUSH BUTTON,FUNCTION
11	134385201	PUSH BUTTON,START
12	134385301	PUSH BUTTON,PAUSE
13	134349400	SPRING,PUSH BUTTON
14	134385400	PUSH BUTTON,SOIL
16	134364800	BRACKET, TOP FRONT
17	134844501	SWITCH,PRESSURE
18	131302800	SCREW,10-16AB X 0.375
19	134402900	SCREW,PHILLIPS ,6-19 X 0.650
21	134407900	DAMPENER,VIBRATION
23	134435300	WIRING HARNESS,CONTROLS
27	137345710	PANEL,CONTROL CONSOLE
32	134586500	HOSE,DISP-TO-BELLOWS
33	131306216	CLAMP
34	5303321209	CABLE TIE,5.60 INCH
36	134866600	VALVE,DISPENSER ,NON NTC
37	134372300	HOSE,DISP-TO-TUB
38	134372400	CLAMP,TUB HOSE
39	134446150	HOUSING,DISPENSER , VALVE,COVER
40	134372100	TUBE,DISP-TO-OVERFLO
41	134372200	O-RING,OVERFLOW TUBE
42	131168200	SCREW,PAN HEAD ,8-18B X 0.31
44	134370200	COVER,DISPENSER
45	134370000	DRAWER,DISPENSER

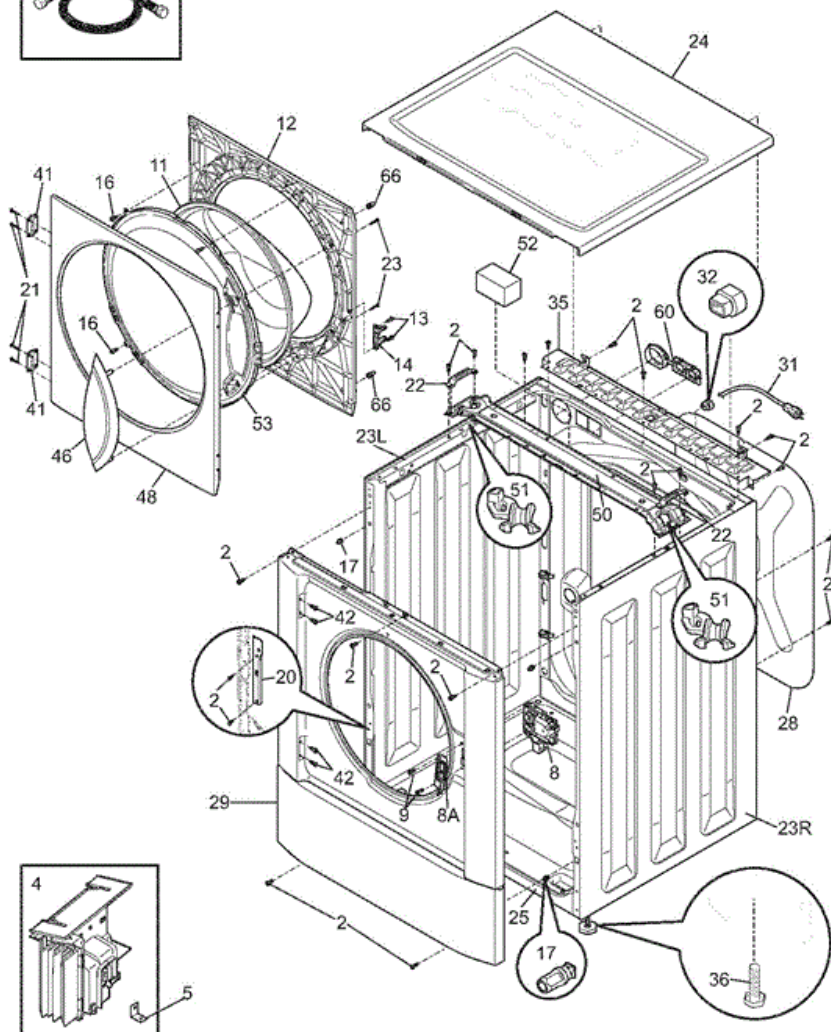
46	134349500	SPRING,DOOR LATCH
47	134386500	LATCH,DISPENSER ,SLIDER LOCK
48	137346410	HANDLE,DISPENSER ,FRONT
49	134386200	FRAME,DRAWER HANDLE
50	134370100	CONVEYOR,DISPENSER ,LOWER
NI	131311900	SCREW,QUADREX PH ,8-18AB X 0.500
NI	134371300	GASKET,DISP-TO-VALVE
NI	137214800	HARNESS,MAIN

Distribuidor Autorizado

SurteRápido.com

Venta de Refacciones
Electrodomesticas

FRFW3700LW0 GABINETE





FRFW3700LW0 GABINETE

1	131454100	HOSE,WATER INLET ,4 FT. ,HOSE & WASHER
2	131168200	SCREW,PAN HEAD ,8-18B X 0.31
4	134409905	CONTROL BOARD,MOTOR
5	134522900	BRACKET,ANGLE ,MOTOR CONTROL
8	131763202	DOOR LOCK/SWITCH ASSY
9	131303300	SCREW,PAN HEAD ,10-16AB X 0.500 ,LOCKING
11	134950800	PANEL,DOOR GLASS
12	134507300	PANEL,INNER DOOR ,WITH BUMPER
13	131302901	SCREW,10-16 X 0.750
14	131763310	STRIKER,DOOR/LOCK/SW
16	134178901	SCREW,8-18AB X 0.455
17	134638700	CLIP,ASSEMBLY
20	134434901	BRACKET,LS PANEL ,REINFORCEMENT
21	134424700	SCREW,COMB FLAT HEAD ,8-18AB X 0.75
22	134648500	BRACKET-SPRING,RETAINER
23	134522100	SCREW,NO.12 FLAT HEAD ,10-14P ,QUAD DRIVE
23L	134775310	PANEL,LEFT SIDE ,WHITE
23R	134775210	PANEL,RIGHT SIDE ,WHITE
24	137371700	PANEL,WORK TOP ,WHITE
25	134775500	BASE,WASHER
28	134364300	PANEL,SERVICE ACCESS ,REAR
29	137021510	PANEL,CABINET FRONT ,WHITE
31	134501000	POWER CORD,ELECTRIC SVCE
32	5303209428	BUSHING,POWER CORD
35	134365100	BRACKET,TOP SUPPORT ,REAR
36	134548800	LEVELING LEG,SCREW ,PLASTIC
41	134412400	HINGE,DOOR
42	134156200	SCREW,FLAT HEAD ,8-18AB X 0.44 ,QUAD DRIVE
46	134412860	HANDLE,DOOR ,BLACK
48	134913103	PANEL,OUTER DOOR ,WHITE
50	134645600	BRACKET,TUB SUSPENSION
51	134655800	PROTECTOR,TUB SUSPENSION ,SPRING HOOK ,(2)
52	131931202	DAMPENER,VIBRATION ,FOAM

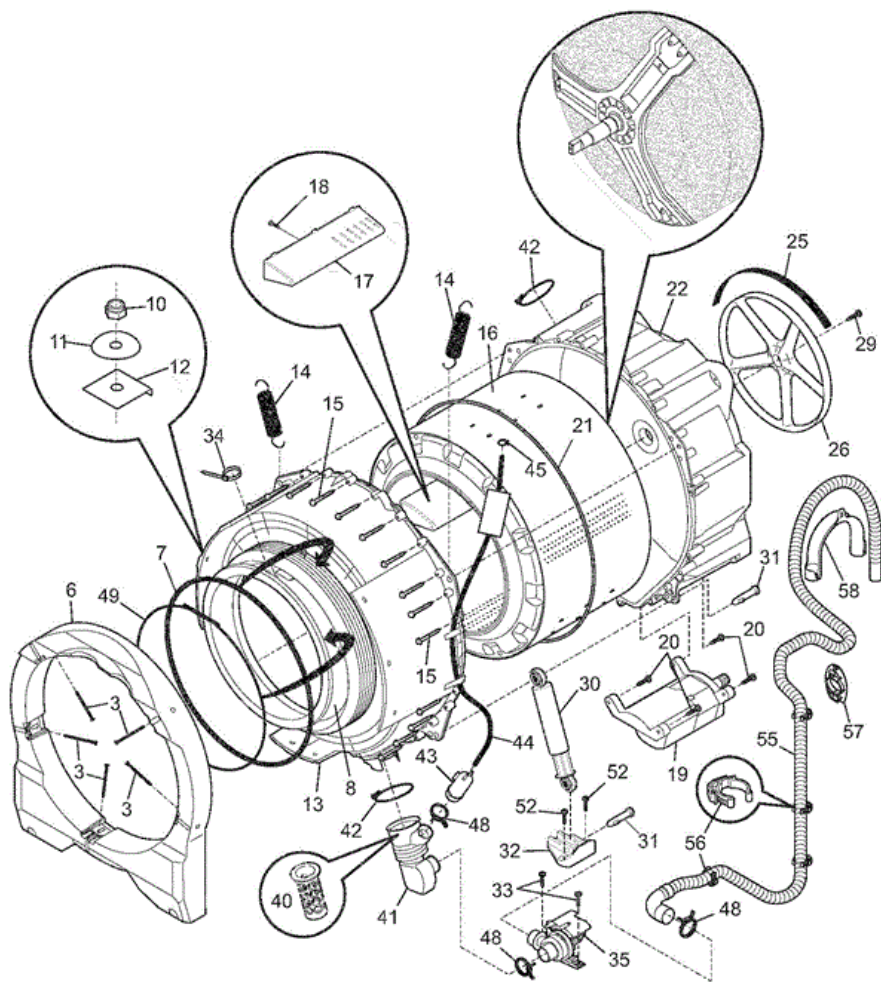
53	134507401	ADAPTER,DOOR GLASS RING
60	134372000	GROMMET,DISPENSER ,BACK PANEL
66	134366500	BUMPER,DOOR
8A	137279900	VENT,DOOR ,COMPLETE ASSY
NI	131311900	SCREW,QUADREX PH ,8-18AB X 0.500
NI	134434900	BRACKET,RS PANEL ,REINFORCEMENT
NI	134547600	WIRING HARNESS,MOTOR CONTROL
NI	134591500	PLUG ASSY,SHIPPING HOLES ,BACK
NI	134606800	WIRING HARNESS,DOOR SWITCH
NI	134629400	SCREW,MC5X8.5 TORX ,CABINET MTG
NI	134876500	CLIP,HOSE,DRAIN ,REAR-PANEL
NI	134889700	CLIP, HOSE,DRAIN ,REAR-PANEL
NI	137021600	BRACKET,MOUNTING ,LEFT ,FRONT PANEL
NI	137021610	BRACKET,MOUNTING ,RIGHT ,FRONT PANEL

Distribuidor Autorizado

SurteRápido.com

Venta de Refacciones
Electrodomesticas

FRFW3700LW0 TAMBOR





FRFW3700LW0 TAMBOR

3	131793303	BOLT,CARRIAGE ,1/4-20 X 2.60
6	134362200	COUNTERWEIGHT,FRONT ,ONE PIECE
7	134365300	SPRING,BELLOWS CLAMP ,RETAINER
8	134740900	BELLOWS,BOOT ,NO LIGHT HOLE
10	131304700	NUT,HEX ,1/4-20 UNC-2B ,(2)
11	131276900	WASHER,BELLVILLE ,SPRING STEEL
12	134430600	PLATE,COUNTERWEIGHT
13	134362000	SHELL,TUB ,FRONT
14	137099300	SPRING ASSY,SUSPENSION
15	131303900	SCREW,HEX WASHER HEAD ,1/4-10A X 2.165
16	134960610	DRUM ASSY,SPIN BASKET
17	134361602	VANE KIT,DRUM
18	131302800	SCREW,10-16AB X 0.375
19	134362500	MOTOR,120 V
20	131303500	SCREW,12-14AB X 1.50 ,MOTOR MTG.
21	134361900	O-RING,TUB
22	134507120	SHELL,OUTER TUB ,REAR ,WITH BEARING
25	134051003	BELT,DRIVE ,6-RIB
26	137317100	PULLEY,DRUM DRIVE ,REAR ,LARGE
29	134408400	SCREW,10.9 CLASS ,M10 X 25 MM
30	134560410	SHOCK ABSORBER,ASSEMBLY
31	131268300	PIN,SHOCK MTG.
32	134363200	BRACKET,SHOCK MTG.
33	134160900	SCREW,WASHER HD ,10-16AB X 0.75
34	5303321209	CABLE TIE,5.60 INCH
35	137108100	PUMP,DRAIN
40	134885800	FILTER,PUMP
41	134455900	HOSE,COIN TRAP ,TUB-TO-PUMP
42	134737300	CLAMP,HOSE
43	134369000	CHAMBER,AIR
44	134369900	HOSE,AIR PRESSURE
45	137087500	CLAMP,HOSE
48	131306234	CLAMP,HOSE ,WIRE

49	134527100	CLAMP,BELLOWS ,SPRING HELD
52	131202300	SCREW,10-16AB X 0.625
55	134889600	HOSE,DRAIN-ONE PIECE
56	134781400	FASTENER,HOSE CLIP
57	134641100	BRACKET,DRAIN HOSE MTG ,REAR
58	137166600	HANGER,DRAIN HOSE
NI	137375900	ENERGY GUIDE