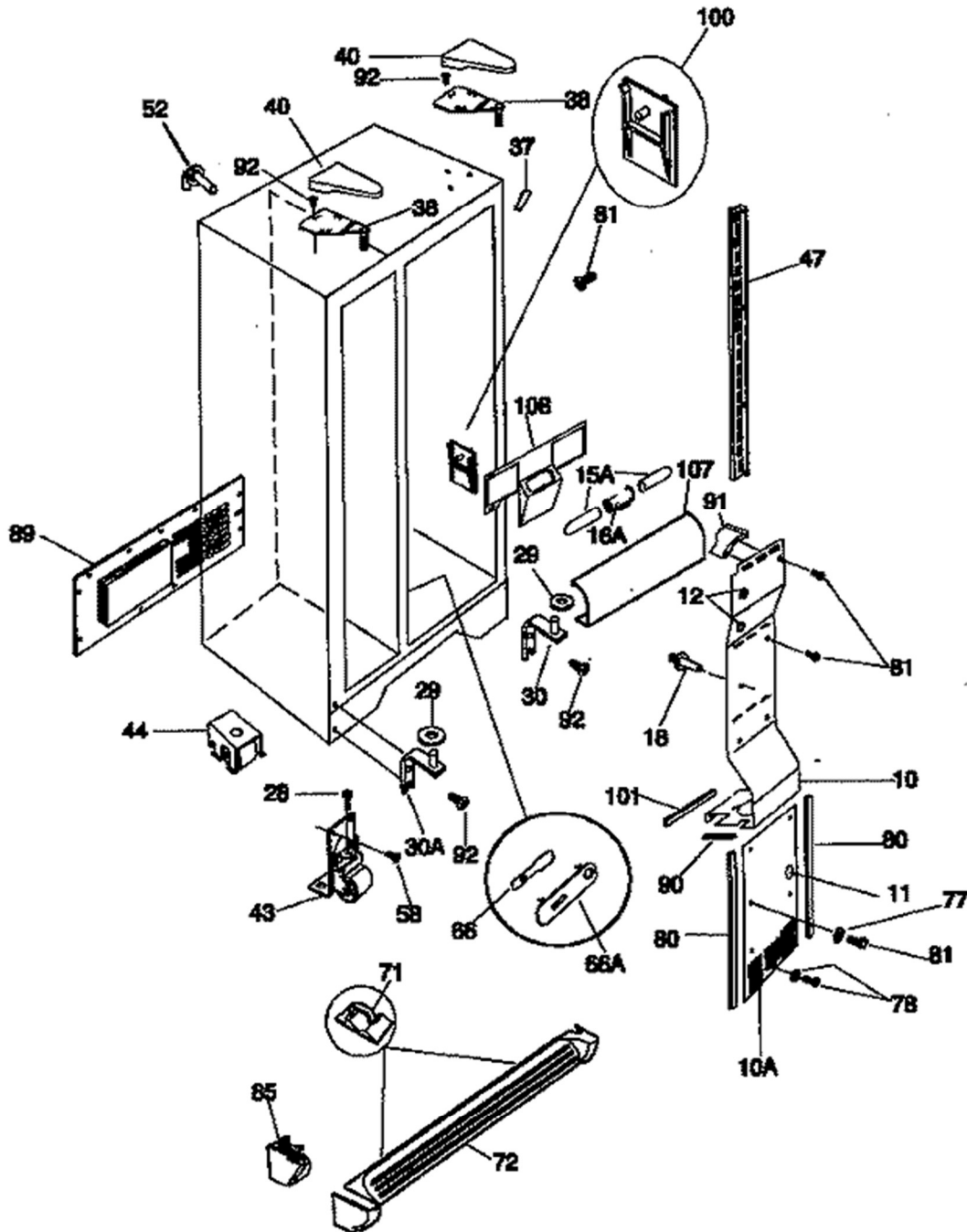


Publication No.
5905318705

FRS26ZSGB

CABINET



P5880026

02/99

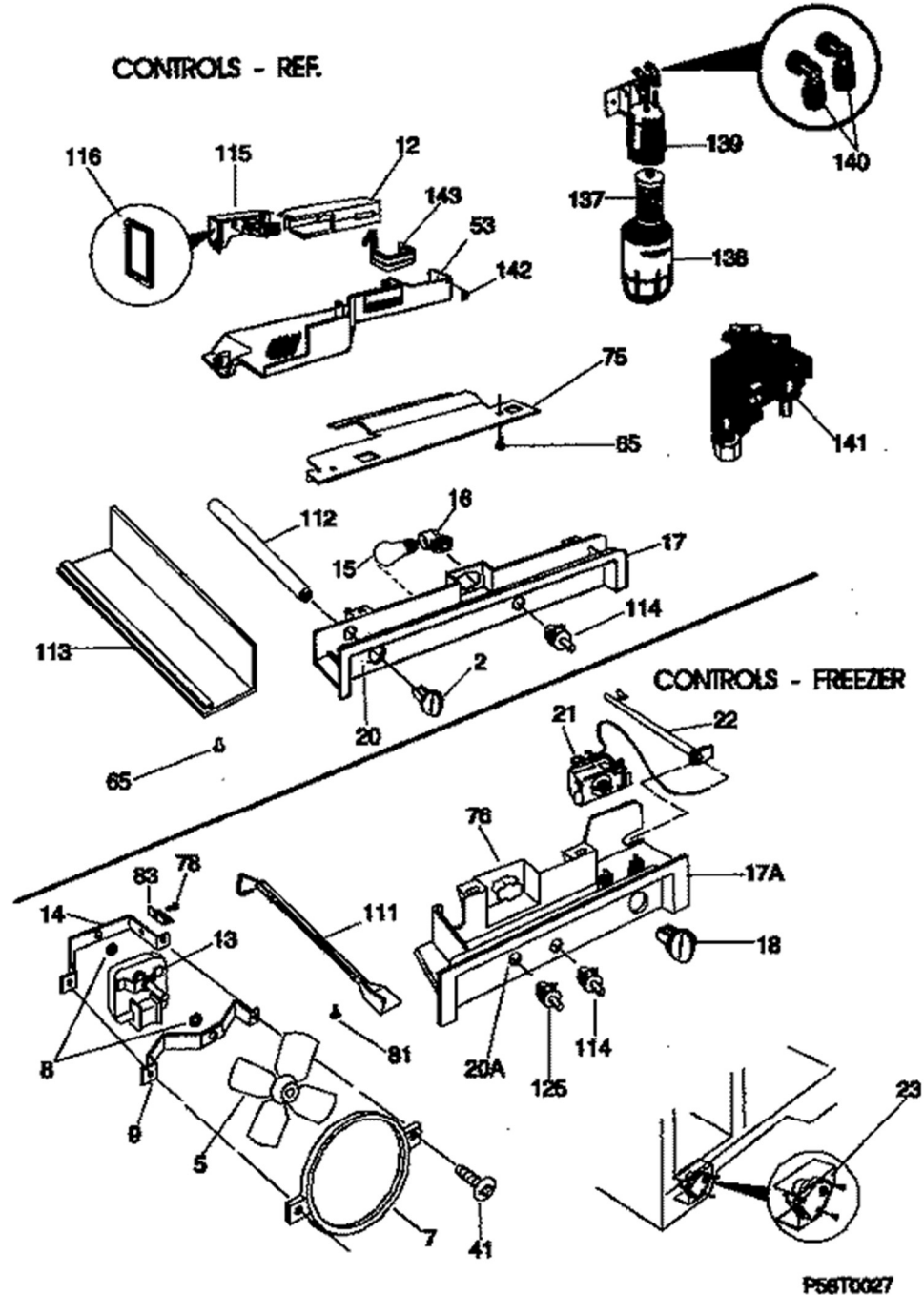
6

Guía	Descripción	Número
10	COVER-AIR DUCT	215637602
10	COVER-EVAP COIL, LOWER	215637402
11	Plug Button - White	5303208309
12	PLUG-HARNESS HOLE	5303001147
15	Light Bulb	218708700
16	SOCKET-LIGHT/LAMP	5303299157
18	SUPPORT-AIR DUCT CV	5303289043
28	BOLT-ROLLER ADJ	5303289062
29	Lower Hinge Washer	215744100
30	Lower Hinge Bracket with Pin - Right Side	218993801
30A	BRACKET-LOWER HINGE	218993601
30B	TAPPING PLATE	218730700
37	TRIM-CABINET CORNER	5303321083
38A	Upper Door Hinge Bracket with Closer - Left Side - Black	218215246
38B	Upper Door Hinge Bracket with Closer - Right Side - Black	218215248
40	COVER-UPPER HINGE	5303323268
43	Wheel Assembly	218615300
44	ROLLER-REAR	218738300
47	CHANNEL-SHELF Mounting	218659500
52	Icemaker Water Inlet Tube	215454600
58	SCREW	5304455651
66	DAMPER-MEAT KPR DMPR	215050201
71	Clip	218515401
72	Kickplate Grille	218359609
77	WASHER-NYLON	5303001216
78	SCREW	5304455651
80	SEAL-COIL COVER	218249802
81	Hex Head Screw	5304455650
85	COVER-LOWER HINGE, BLACK	218359806
89	USE WCI 215741408	218871501
90	SEAL	8017130
91	DEFLECTOR-AIR	218770000
92	Hexagonal Screw	241710601
100	Crisper Drawer Cover Support	5303288973
101	SEAL-FOAM	215305702
101	GASKET	218663103
107	SHIELD-LIGHT, CRISPER	218835901
108	COVER-WIRING	218834202

Publication No.
5965318705

FRS26ZSG

CONTROLS



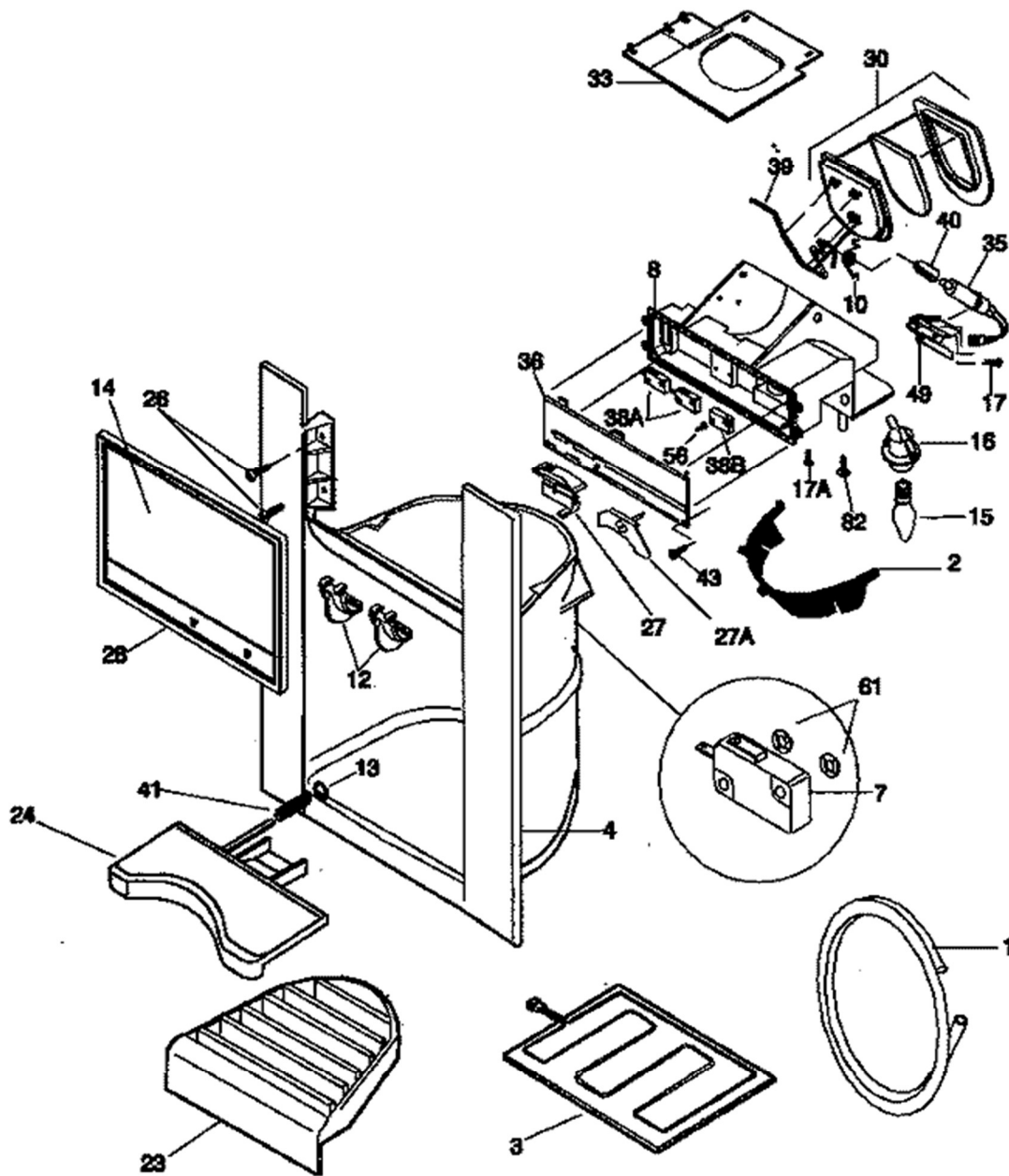
P56T0027

Guía	Descripción	Número
2	KNOB-DAMPER CONTROL	5303307883
5	Evaporator Fan Blade	5308000010
7	RING-FAN ORIFICE	5308000124
8	Fan Motor Mounting Bushing	G187559
9	BRACKET-MOTOR Mounting	5304414684
12	DIFFUSER-AIR	215809600
13	Evaporator Fan Motor	5303299165
14	BRACKET-MOTOR Mounting	5303322992
16	Light Socket	241559801
17	CONTROL BOX	5303296581
17	CONTROL BOX	5304410657
18	KNOB-TEMP CONTROL	5303307882
20	LABEL-CONTROL BOX	5303307884
20A	LABEL-CONTROL BOX	5303307888
20B	SCREW-CONTROL BOX M	215188300
21	Temperature Control	5303300027
22	HOUSING-TEMP SENSOR	5303319683
23	Defrost Timer - 60Hz 120V	215846602
53	BOX-DAMPER CONTROL	215809508
65	PIN-MOUNTING	5303001361
75	SHIELD-LIGHT	218465101
76	COVER-LIGHT SOCKET	218225800
78	SCREW	5304455651
81	Hex Head Screw	5304455650
83	BRACKET-CONNECTOR	5308000107
111	WIREWAY, Freezer	5303297842
112	ROD-DAMPER EXTN	215277102
113	COVER-DMPR ROD EXT	5303296580
114	Light Switch	5303289051
115	Damper Assembly	215011505
116	SEAL-DAMPER	215011400
125	Fan Switch	215334201
137	Fan Switch	215334201
138	Filter Housing	218904404
139	Filter Housing	218904404
140	Water Tube Elbow	218518700
141	Dual Inlet Water Valve - 120V 60Hz	218832401
142	KNOB-INDICATOR	218657701
143	HEATER-WATER FILTER	218696700

Publication No.
5905318705

FRS26ZSG

DISPENSER



F58X0014

02/99

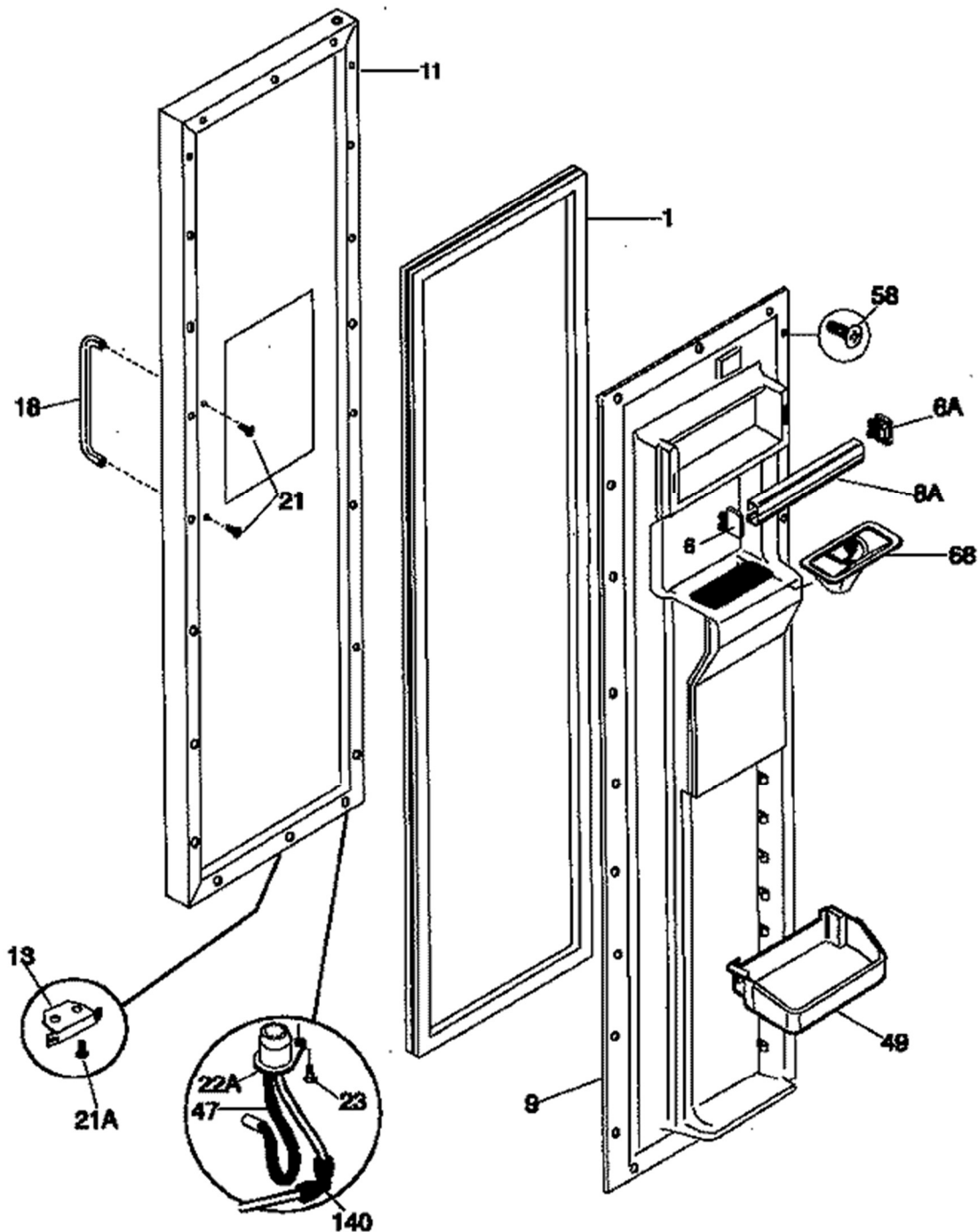
14

Guía	Descripción	Número
1	Water Inlet Tube - cut-to-fit	5308010366
2	DEFLECTOR-ICE DISP	218505303
3	HEATER-DOOR HOUSING	215484300
4	HOUSING-DISP	218432103
7	Actuator Switch	218841901
8	MODULE-DISPENSER	218835701
10	SPRING	218209800
12	KNOB-SELECTOR, BLACK	218836203
13	Ice Dispenser Actuator Snap Ring	215748101
14	LABEL-MODULE COVER	218416166
15	BULB	5304519036
16	SOCKET	240548901
17	SCREW	215794400
17A	SCREW	5304449336
17B	WASHER-FLAT	215923400
23	Dispenser Drip Tray	5303299660
24	ACTUATOR	218796503
26	Screw	215503203
27	CAM	218432600
27	SWITCH	218814901
28	COVER-MODULE	218906203
30	Ice Door Chute Assembly	5304402125
33	HEATER-DISP THROAT	218870201
35	Heat Motor	218740003
36	COVER	218835601
38	Micro Switch	218479900
38	Micro Switch	241689106
39	Ice Door Wire	5304401778
40	YOKE-HEAT MOTOR	218284500
41	SPRING-ACTUATOR	215765400
43	SCREW	5303001083
49	BRACKET-HEAT MOTOR	215794000
56	SCREW	5300809864
61	RING-RETAINER	215766000
82	SCREW	5304455699

Publication No.
5995318705

FRS26ZSG

FREEZER DOOR



02/89

2

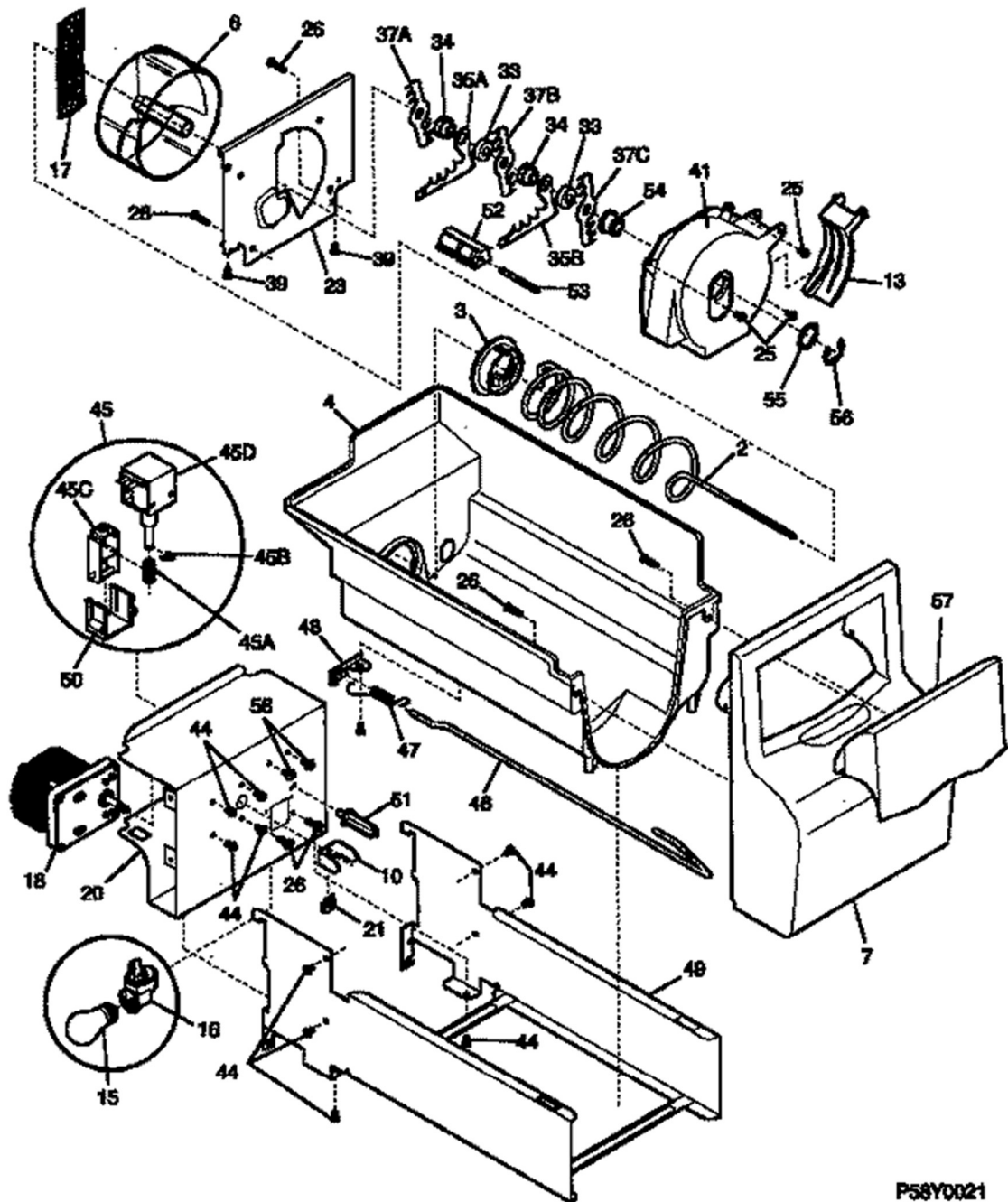
P58F0030

Guía	Descripción	Número
1	Freezer Door Gasket	215734323
6	Door Shelf Retainer Bar End Cap - left side	5303297813
6	Door Shelf Retainer Bar End Cap - right side	5303297814
8	Door Shelf Bar - White - Cut to fit	5308013640
9	PANEL-INNER DOOR	218470101
11	DISCONTINUED	5303324209
13	DOOR STOP	5303289522
18	HANDLE-DOOR	218756501
21	Door Stop Mounting Screw - 10-16 x 3/4-in	218578600
21	SCREW-HDL Mounting	218709101
22	BUSHING-DOOR	215615300
23	SCREW	5303001020
47	HARNESS-WIRING	218896201
49	BIN-DOOR	218592301
58	Pan Head Screw	218781101
68	CHUTE-ICE	218495200
140	Water Tube Elbow	218518700

Publication No.
5995318705

FRS26ZSG

ICE CONTAINER



P58Y0021

02/99

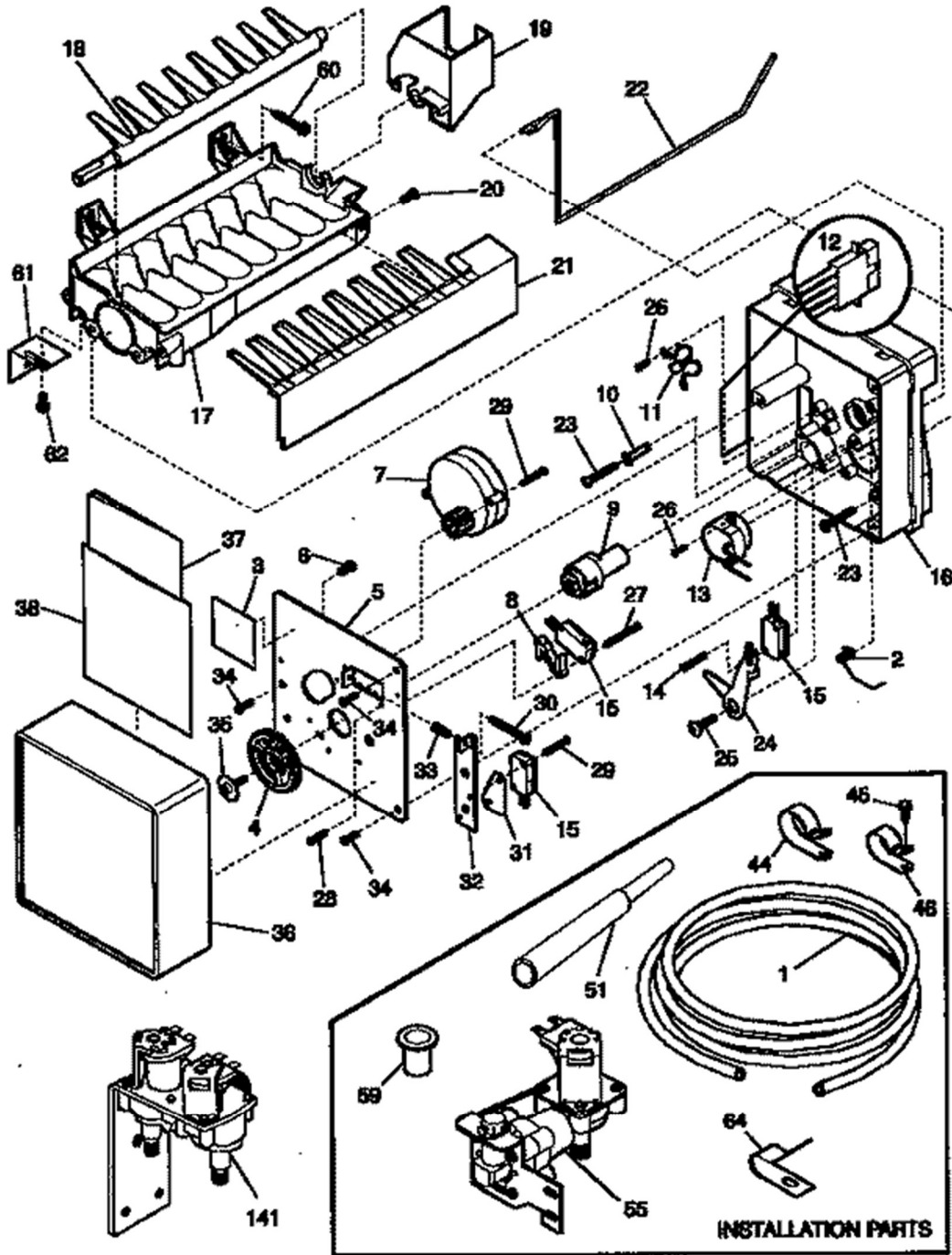
16

Guía	Descripción	Número
2	Ice Auger	241716101
3	Cam Drive	241685201
4	Ice Container/Bucket	241734001
6	Ice Dispenser Drum	241685101
7	FRONT-ICE CONTAINER	241734201
10	Drive Bar	241726501
13	Dispenser Crusher Housing	241885001
15	Light Bulb	316538904
16	Light Socket	241559801
17	DRIVE BLADE	241684503
18	Auger Motor	5304462594
20	COVER-MOTOR	241675502
21	Drive Bar	241726501
23	Front Plate	241684001
25	SCREW-#8-32 X 3/8	240555002
26	Screw	215503203
33	SPACER	241684802
34	SPACER	241689802
35	FIXED BLADE,SQUARE	241684203
35	Refrigerator Ice Crusher Fixed Blade	241684303
37	BLADE,CRUSHER #3	241684109
37	BLADE	241684107
37	BLADE	241684108
41	Dispenser Crusher Housing	241885001
44	SCREW	218359202
45	Refrigerator Ice Dispenser Solenoid	241675704
46	CONTROL ROD	5304404341
47	SPRING-CONTROL ROD	241690101
48	BRACKET-CONTROL ROD	241684602
49	RAIL	241734501
50	GUIDE-SOLENOID	241675601
51	ROTATION STOP	241676301
52	SPACER-FIXED BLADES	241684901
53	PIN-SPIRAL	241690402
54	Auger Nut	241685001
55	Washer	241690306
56	E-Ring	241690201
57	Access Door	241734101
58	SCREW-SOLENOID	5304404331

Publication No.
5095316705

FRS26ZSG

ICE MAKER



P56Z0019

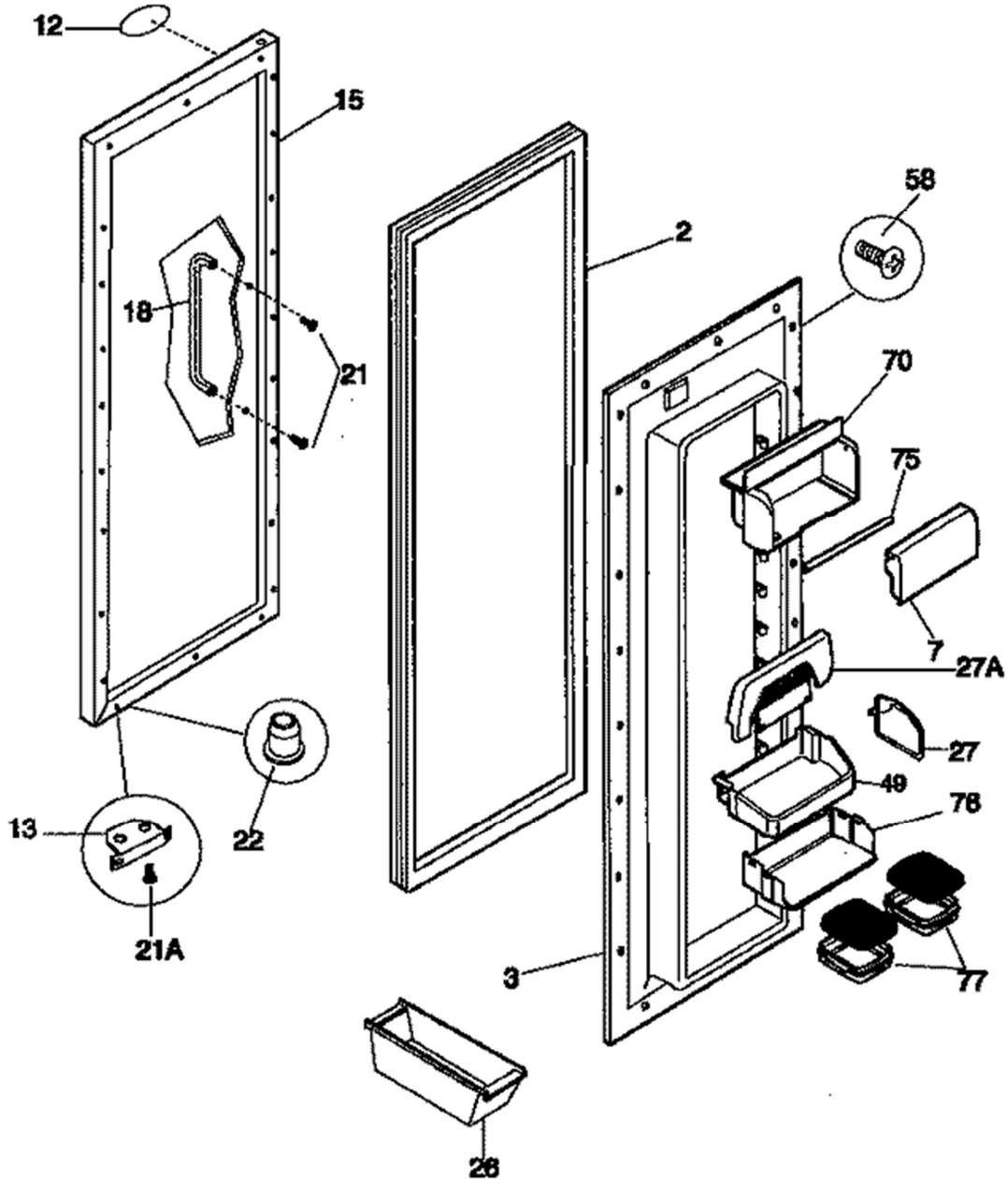
Guía	Descripción	Número
1	Water Inlet Tube - cut-to-fit	5308010366
2	Shutoff Arm Spring	5304469396
3	LABEL	3206299
4	Drive Gear	5304469403
5	PLATE-MOUNTING	3206303
6	SCREW	218359202
7	Replacement Ice Maker	5303918277
8	SPACER-HOLD SWITCH	5304469404
9	Ice Maker Shut-Off Lever Cam	5304469402
10	CLAMP	3206315
11	Icemaker Thermal Cut-Off	3206319
12A	CONNECTOR PLUG	3206321
12B	WIRING HARNESS	3206349
13	Thermostat	3206322
14	SCREW	3206323
15	Micro Switch	5304456667
16	SUPPORT, PHENOLIC	3206326
17	Refrigerator Ice Maker Assembly	241798231
18	Ice Cube Ejector	5304469384
19	BEARING AND INLET	3206330
20	SCREW	3206331
21	ICE STRIPPER	5304469378
22	SHUT-OFF ARM	5304469377
23	SCREW-SUP/MOLD BODY	3206334
24	Ice Lever Arm	5304456675
25	SCREW	5304456676
26	SCREW	215762100
27	SCREW	5304459910
28	SCREW-TIMING STOP	3206339
29	SCRWE-MTR AND SW/PLATE, 4-40 X 3/4, (4)	3206340
30	SCREW	5304458387
31	INSULATOR	5304469406
32	PLATE-VALVE SWITCH	3206343
33	SPRING	5304469401
34	SCRW-MTG PLATE/SPRT 8-18 X 7/16, (3)	3206345
35	SCREW-GEAR/CAM	3206346
36	COVER-ICE MAKER	5304469385
37	DATA SHEET	5303320544
38	ENVELOPE-DATE SHEET	5303207445

Guía	Descripción	Número
44	CLAMP	5308000133
45	SCREW	5304455651
46	CLAMP	5303001193
51	Water Fill Tube	218947201
55	Single Solenoid Water Valve	218859701
59	SLEEVE-TUBE INSERT	5303001191
60	SCREW	5304455852
61	BRACKET-LEVELING	218721500
62	SCREW-#8-32 X 3/8	240555002
64	CLAMP	5304455846
141	Dual Inlet Water Valve - 120V 60Hz	218832401

Publication No.
5095318705

FRS26ZSG

REFRIGERATOR DOOR



P58R0054

02/99

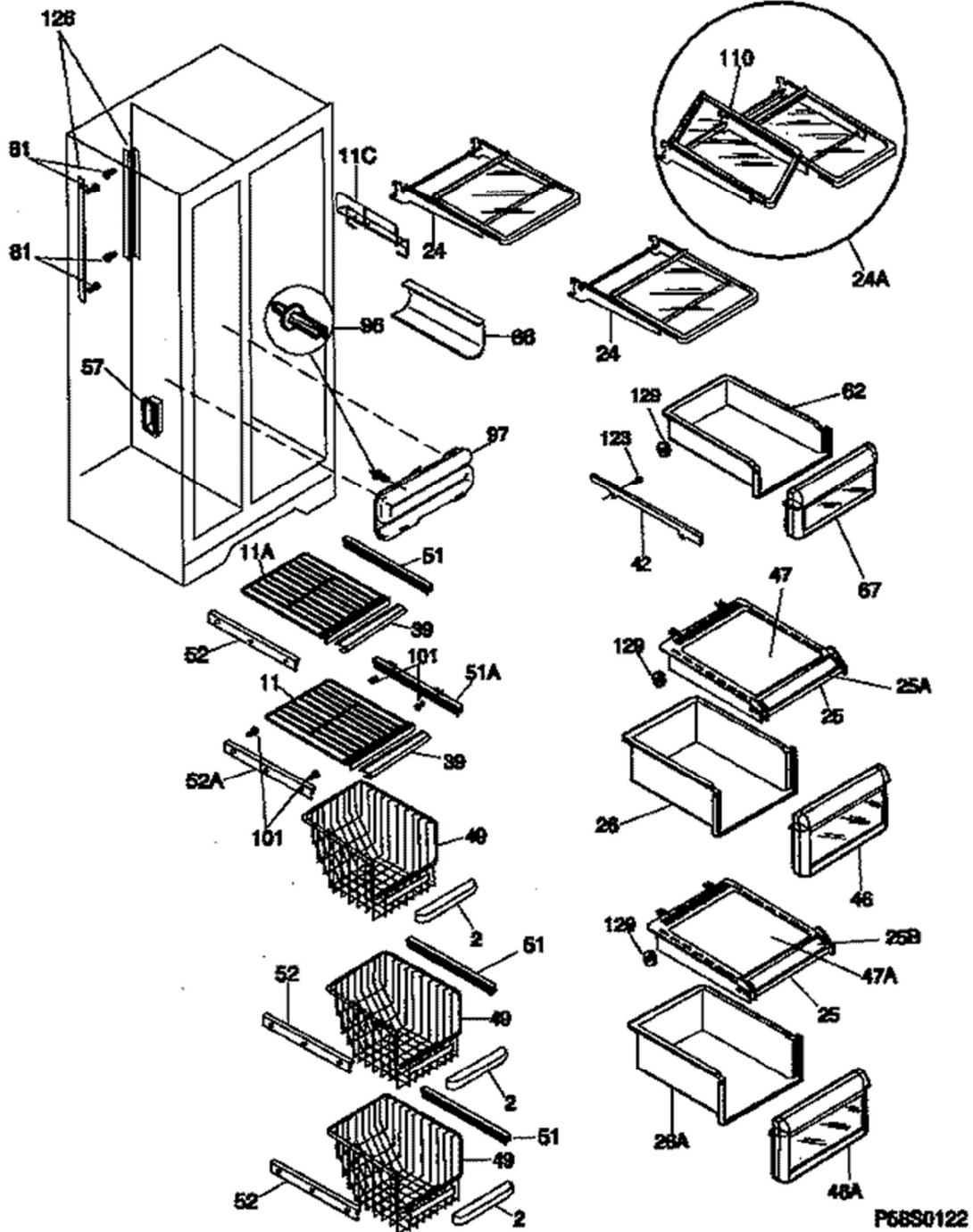
4

Guía	Descripción	Número
2	Fresh Food Door Gasket	215734324
3	PANEL-INNER DOOR	215434301
7	DOOR	218383101
12	NAMEPLATE	218395401
13	DOOR STOP	5303289522
15	PANEL-Refrigerator DOOR	218631600
18	HANDLE-DOOR	218756501
21	Door Stop Mounting Screw - 10-16 x 3/4-in	218578600
21	SCREW-HDL Mounting	218709101
22	Hinge Bearing	5303289320
26	CONTAINER	3204522
27	RETAINER	218714201
27	SNUGGER-DOOR BIN	218370101
49	Door Shelf Bin	218592325
58	Pan Head Screw	218781101
70	HOUSING-DAIRY COMPT	218836302
75	BUMPER-DAIRY DOOR	218716300
76	DOOR-RACK MICROWAVE	218423600
77	DISH-MICROWAVE	218423501

Publication No.
5095318705

FRS26ZSGB

SHELVES



02/99

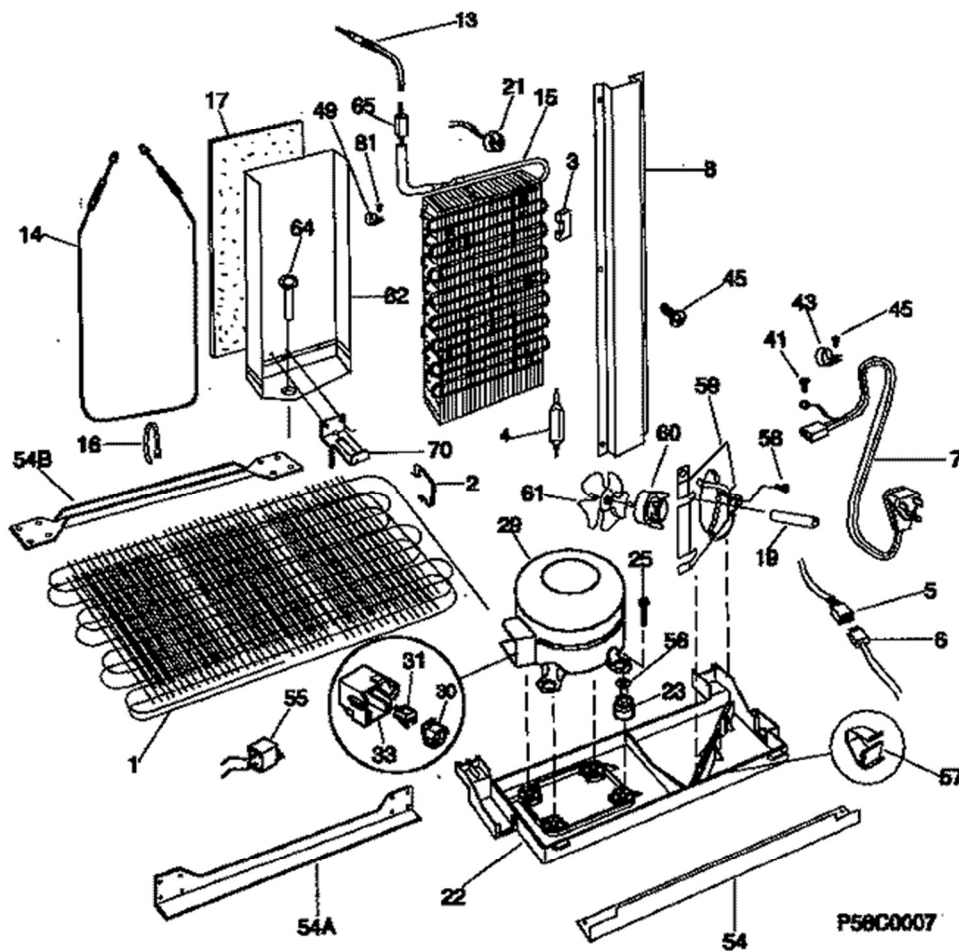
8

Guía	Descripción	Número
2	HANDLE-Freezer BASKET	218383601
11	SHELF-FRZ	218298003
11	SHELF-FRZ	218298004
11	SHELF-PIZZA	218815501
24	SHELF-"SPILL-SAFE"	218636601
24	SHELF-"SPILL-SAFE"	215029002
25	Crisper Drawer Frame	218147701
25	USE WCI 215124343	5303289586
25A	Storage Drawer Trim Piece	5303307878
25B	Storage Drawer Humidity Control Lever	5303307715
26	Upper Crisper Drawer - Front NOT Included	5303289500
26	Lower Crisper Drawer	5303289501
39	TRIM-Freezer SHELF	215217543
42	Drawer Slide Rail - Left Side	215002301
46	Lower Storage Drawer Front	5304411659
47	Pan Cover/Shelf - Glass	218498111
49	BASKET-SLIDING	218384701
51	Hanging Basket Rail - Right Side	5303307887
51	Hanging Basket Rail - Right Side	5303296575
52	Hanging Basket Rail - Left Side	215162504
52A	Hanging Basket Rail - Left Side	215162502
52B	HANGER-BASKET	5303299662
57	FERRULE-INNER	5303271653
62	TRAY-DELI	218285701
66	VERSASHELF	5304441379
67	FRONT-DELI TRAY	218278501
81	Hex Head Screw	5304455650
96	Water Reservoir Tank Support Stud	215192600
97	Water Reservoir Tank Replacement Kit	5303918258
101	Hex Head Screw	5304455650
110	SHELF-"SPILL-SAFE"	218641901
123	Screw	215005101
126A	Channel, auger Mounting ,LH	241674401
126B	Channel, auger Mounting ,RH	241674402
129A	Single Drawer Rail Roller	5303299152
129B	BEARING-ROLLER	5303299153

Publication No.
5965318705

FRS26ZSG

SYSTEM



02/96

12

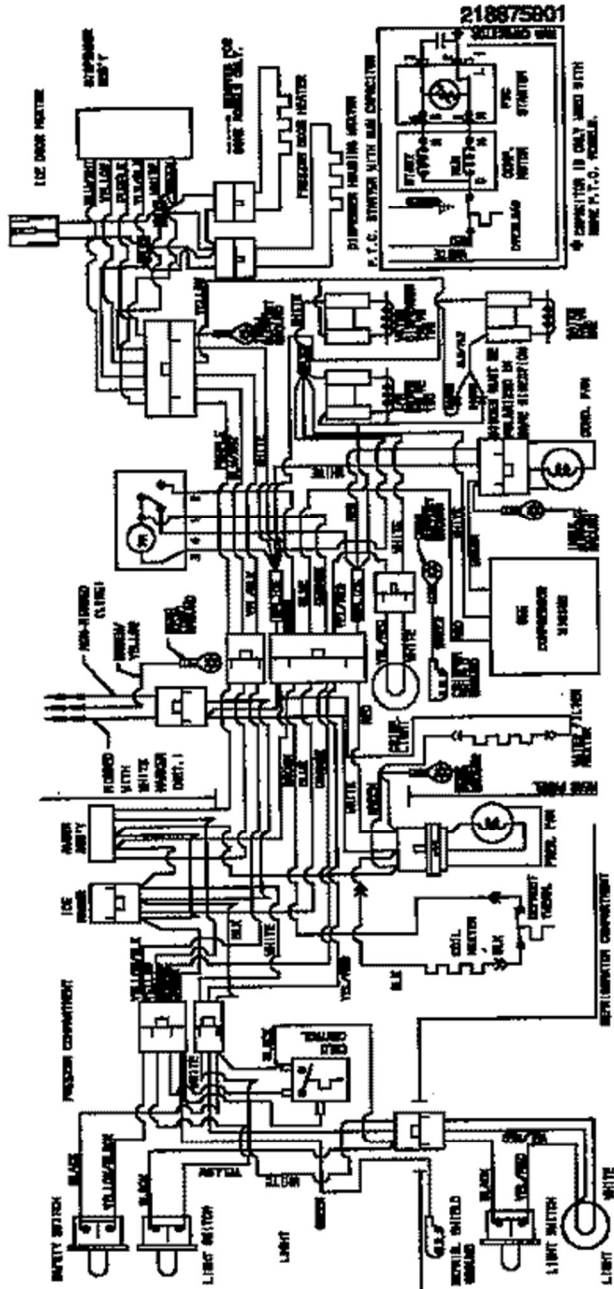
Guía	Descripción	Número
1	CONDENSER	218787900
2	CLIP-COND Mounting	5303289029
3	BLOCK-EVAP COIL	218679603
4	Filter - Drier	5303305677
5	HARNESS-WIRING, MAIN	218646100
6	HARNESS-WIRING, W/WAVE DIODES	218896001
7	Power Cord	215459201
8	COVER-WIRING	218803400
13	HEAT EXHANGER, SUCTION LINE	215006701
14	Defrost Heater	218169802
15	EVAPORATOR	218691301
16	Aluminum Heater Strap	5308000110
17	INSULATOR-EVAP	5303289496
19	TUBE-RUBBER	218631200
21	Defrost Thermostat	5303917954
22	USE WCI 5304460067	218811100
23	Compressor Mounting Grommet	218513300
25	SCREW-COMPRESSOR MT	218773500
29	Compressor	5304475102
30	Compressor Relay/Overload Cover Kit	5304410951
31	OVERLOAD PROTECTOR	5304407495
33	COVER-TERMINAL	218895701
41	SCREW	154320101
43	CLAMP-WIRING HARNES	5303001199
45A	SCREW	5304455852
45B	SCREW	5304455651
49	BRACKET-EVAP Mounting	215506900
54	RAIL-CABINET BASE	5303289027
54	RAIL-COMPR. SUPPORT	5303289311
54	RAIL-CABINET BASE	5303289292
55	CAPACITOR-RUN	218909903
56	INSERT-COMPRESSOR M	218769300
57	CLIP-WIRING HARNESS	218247300
58	SCREW-#8-32 X 3/8	240555002
59	SHROUD-COND FN MTR	5303289031
60	Condenser Fan Motor Kit	215501901

Guía	Descripción	Número
61	BLADE-COND FAN	5303289032
62	TROUGH-DRAIN	215048700
64	Drain Tube	241957901
65	SPACER	5303289301
70	BRACKET	5303289041
81	Hex Head Screw	5304455650

FRS26ZSGB

Publication No.
5995318705

WIRING



= Fast-moving Parts

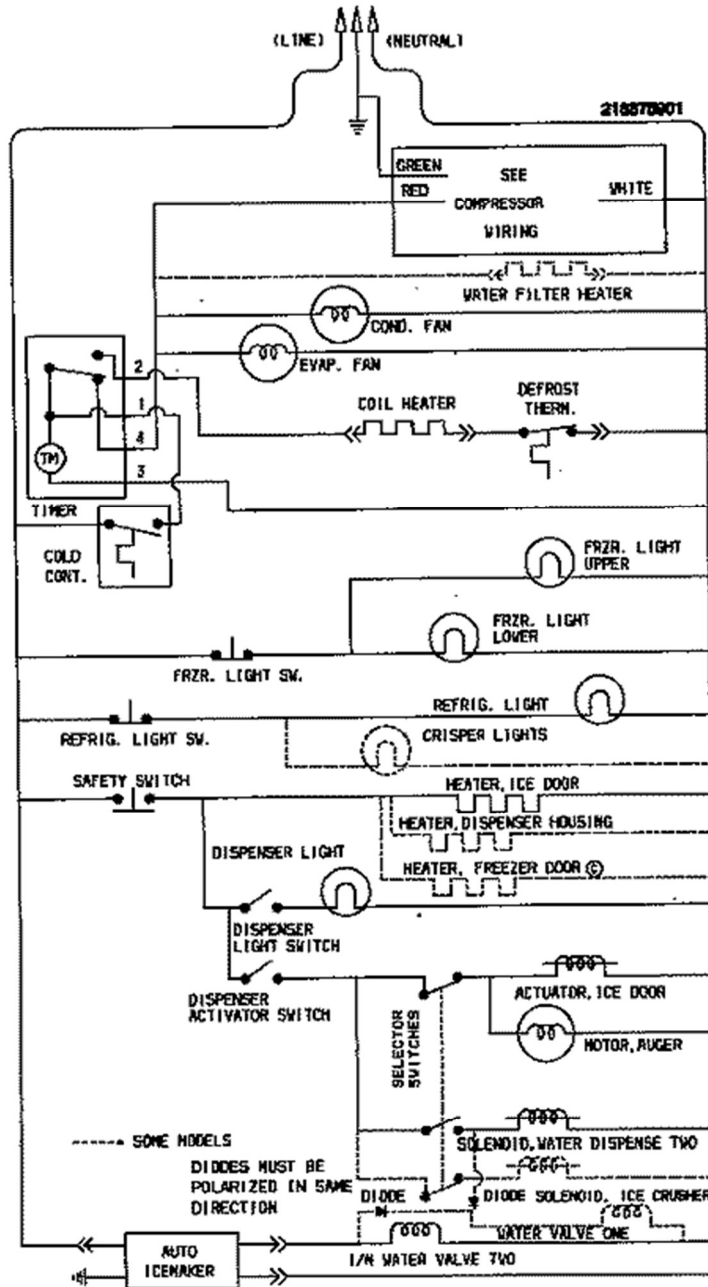
21

02/89

Publication No.
5995318705

FRS26ZSG

WIRING



02/99

20