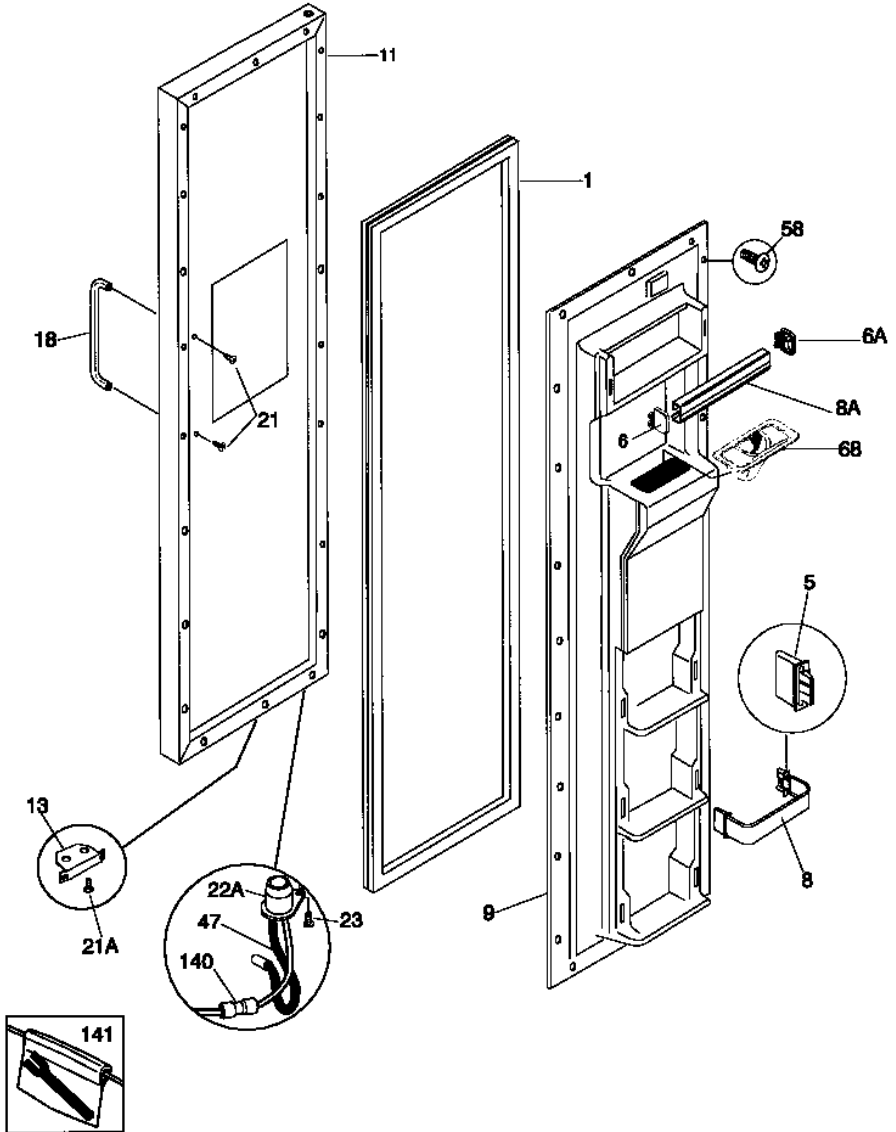


FRS26ZSHB3 FRZ DOOR

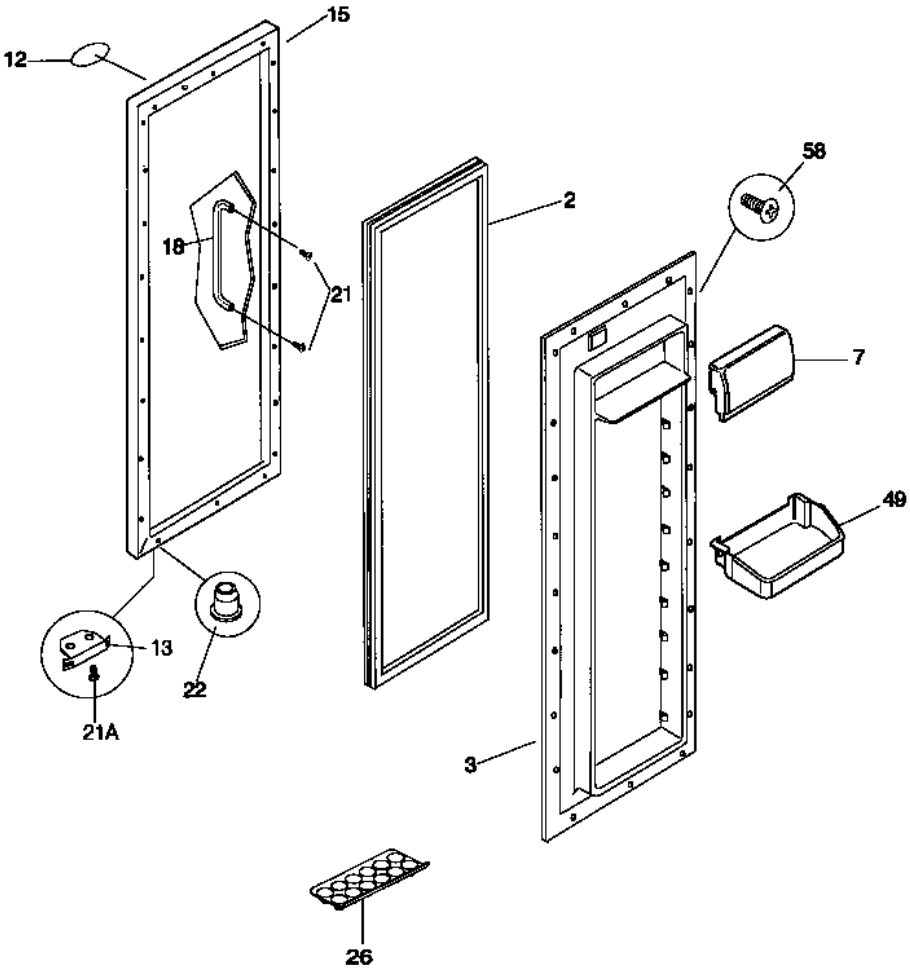




FRS26ZSHB3 FRZ DOOR

1	215734323	GASKET-FRZR DOOR,BLACK ,MAGNETIC (S/P)
5	5303288950	SUPPORT-DOOR RACK,RH/LH (S/P)
6	5303297813	SUPPORT-DOOR RACK,WHITE ,LH (S/P)
6	5303297814	SUPPORT-DOOR RACK,WHITE ,RH (S/P)
8	218807027	RACK-DOOR,W/END CAPS (S/P)
8	5308013640	RACK-DOOR (S/P)
9	218510401	PANEL-INNER DOOR,FRZR (S/P)
11	5303324209	PANEL-EXT FRZR DOOR,WHITE (S/P)
13	5303289522	DOOR STOP (S/P)
18	218756501	HANDLE-DOOR,STAINLESS STEEL (S/P)
21	218578600	SCREW-DOOR STOP MTG,PHL (S/P)
21	218709101	SCREW-HANDLE MTG,HEX HEAD (S/P)
22	215615300	BUSHING-DOOR,BRONZE (S/P)
23	5303001020	SCREW,CR FLAT HEAD ,8-32D X 1/2 (S/P)
47	218922901	WIRING HARNESS,FRZR DOOR (S/P)
58	218781100	SCREW,PAN HEAD ,8-18 X 0.625 (S/P)
68	218495200	CHUTE-ICE (S/P)
140	218922801	ELBOW-WATER TUBE (S/P)
141	218975801	TOOL-PUSH CONNECTOR (S/P)

FRS26ZSHB3 REF DOOR





FRS26ZSHB3 REF DOOR

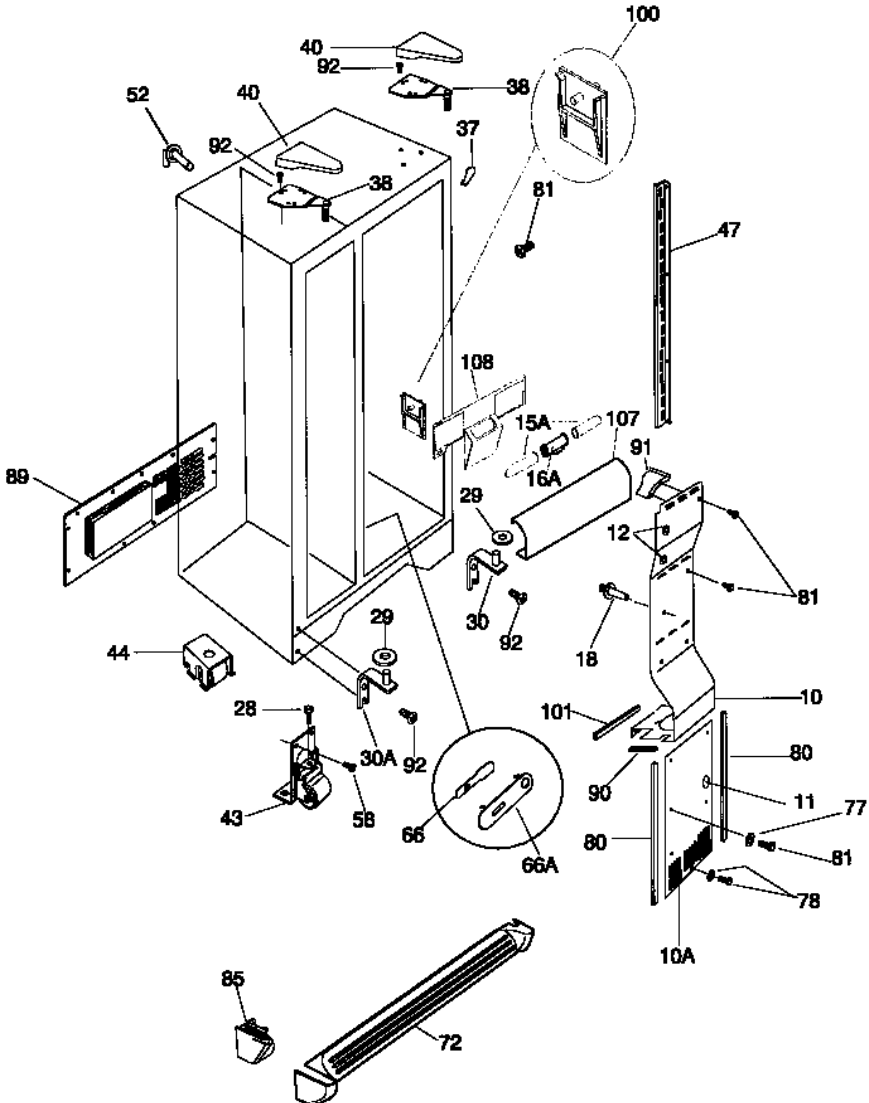
2	215734324	GASKET-REFR DOOR,BLACK ,MAGNETIC (S/P)
3	215403201	PANEL-INNER DOOR,REFR (S/P)
7	5303308608	DOOR-DAIRY (S/P)
12	218395401	NAMEPLATE,BLACK (S/P)
13	5303289522	DOOR STOP (S/P)
15	218631600	PANEL-REFR DOOR,STAINLESS STEEL (S/P)
18	218756501	HANDLE-DOOR,STAINLESS STEEL (S/P)
21	218578600	SCREW-DOOR STOP MTG,PHL TRUSS HD (S/P)
21	218709101	SCREW-HANDLE MTG,HEX HEAD (S/P)
22	5303289320	BEARING-HINGE (S/P)
26	215817806	TRAY-EGG (S/P)
49	218592325	BIN-DOOR,``MONGO`` (S/P)
58	218781101	SCREW,PAN HEAD ,8-18 X 0.625 (S/P)

Distribuidor Autorizado

SurteRápido.com

Venta de Refacciones
Electrodomesticas

FRS26ZSHB3 CABINET





FRS26ZSHB3 CABINET

10	215637402	COVER-EVAP COIL,LOWER (S/P)
10	215637602	COVER-AIR DUCT (S/P)
11	5303208309	PLUG-HOLE,FACTORY TEST (S/P)
12	5303001147	PLUG-HARNESS HOLE (S/P)
15	218708700	LIGHT BULB/LAMP,CRISPER LIGHT ,(2) (S/P)
16	5303299157	SOCKET-LIGHT/LAMP,CRISPER LIGHT (S/P)
18	5303289043	SUPPORT-AIR DUCT CVR,2.55`` LONG (S/P)
28	5303289062	BOLT-ROLLER ADJ,HEX HEAD ,5/16-24 X 7/8 (S/P)
29	215003200	WASHER,,40 X .63 X .16 ,NYLON (S/P)
30	218993801	BRACKET-LOWER HINGE,RH ,W/HINGE PIN (S/P)
37	5303321083	TRIM-CABINET CORNER,BLACK (S/P)
40	5303323268	COVER-UPPER HINGE,BLACK (S/P)
43	218615300	ROLLER ASSY,FRONT ,(2) (S/P)
44	218738300	ROLLER ASSY,REAR ,(2) (S/P)
47	218659500	CHANNEL-SHELF MTG,SIDE ,(2)
52	215454600	TUBE-WATER,ICE MOLD FILL ,ELBOW (S/P)
58	5308002748	SCREW,HEX WSHR HD ,8-15A X 0.500 (S/P)
66	218171301	COVER-MEAT KPR DMPR (S/P)
66	215050201	DAMPER-MEAT KEEPER DESCONTINUADO
72	218359609	GRILLE/KICKPLATE,BLACK (S/P)
77	5303001216	WASHER-NYLON,3/16 X 5/8 OD (S/P)
78	5303274237	SCREW-BRACKET,HEX WSHR HD (S/P)
80	218249802	SEAL-COIL COVER,(2) (S/P)
81	5308016566	SCREW,HEX WSHR HD ,8-15A X 0.625
85	218922706	COVER-LOWER HINGE,BLACK (S/P)
89	215741408	COVER-MACHINE COMPT DESCONTINUADO
90	215022602	SEAL-FOAM (S/P)
91	218964701	DEFLECTOR-AIR,AIR DUCT COVER (S/P)
92	5303001479	SCREW-HINGE MTG,HEX HD ,1/4-20 X 0.875 (S/P)
100	5303288973	SUPPORT-PAN COVER (S/P)
107	218835901	SHIELD-LIGHT,CRISPER DESCONTINUADO
108	218834202	COVER-WIRING,CRISPER LIGHT (S/P)
38B	218215248	BRACKET-UPPER HINGE,WITH CLOSER (S/P)

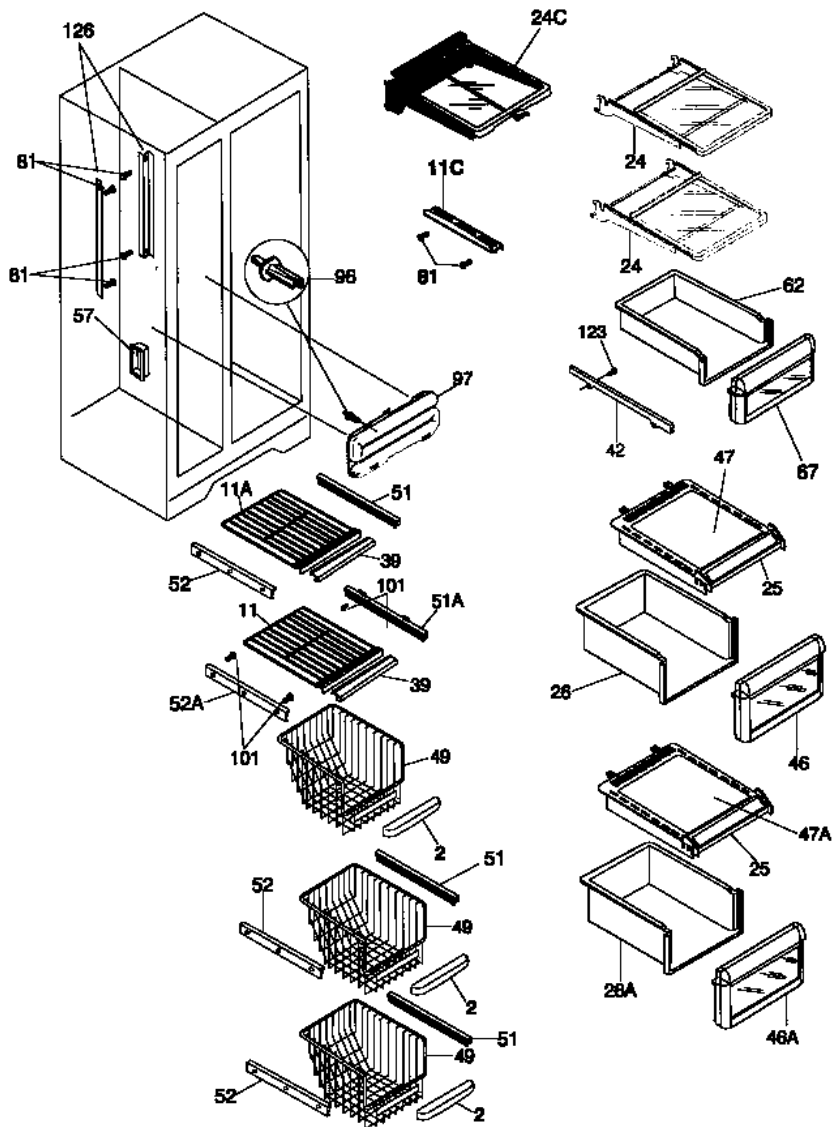
101B	218663103	GASKET-AIR DUCT CVR (S/P)
30A	218993601	BRACKET-LOWER HINGE,LH ,W/HINGE PIN (S/P)
101A	215305702	SEAL-FOAM (S/P)
30B	218999101	TAPPING PLATE,LOWER HINGE (S/P)

Distribuidor Autorizado

SurteRápido.com

Venta de Refacciones
Electrodomesticas

FRS26ZSHB3 SHELVES





FRS26ZSHB3 SHELVES

2	5303298147	TRIM-BASKET (S/P)
11	218298003	SHELF-FREEZER,SLIDING ,WIRE DESCONTINUADO
11	218298004	SHELF-FREEZER,SLIDING ,WIRE DESCONTINUADO
11	240324101	SHELF-PIZZA (S/P)
24	218869602	SHELF-`SPILL-SAFE` ,SLIDING (S/P)
24	215029002	SHELF-`SPILL-SAFE` DESCONTINUADO
25	218147701	COVER-STORAGE PAN
26	5303289501	PAN-STORAGE,LOWER (S/P)
26	5303299657	PAN-STORAGE,UPPER (S/P)
39	215217543	TRIM-FRZR SHELF (S/P)
42	215002301	HANGER-PAN/TRAY,LH (S/P)
46	218278202	FRONT-STORAGE PAN,LOWER (S/P)
47	215723574	INSERT-PAN COVER,GLASS ,CLEAR (S/P)
49	5303296573	BASKET-SLIDING DESCONTINUADO
51	5303307887	HANGER-BASKET,RH (S/P)
51	5303296575	HANGER-BASKET,RH (S/P)
52	215162502	HANGER-BASKET,LH,WITH SPRING (S/P)
52	215162504	HANGER-BASKET,LH ,WITH SPRING (S/P)
57	5303271653	FERRULE-INNER (S/P)
62	218285701	TRAY-DELI DESCONTINUADO
67	218278501	FRONT-DELI TRAY DESCONTINUADO
81	5308016566	SCREW,HEX WSHR HD ,8-15A X 0.625 (S/P)
96	215192600	SUPPORT-WATER TANK (S/P)
97	218942701	WATER TANK (S/P)
101	215005000	SCREW,HEX WSHR HD (S/P)
123	215005100	SCREW-ROLLER/HANGER,8-10 X 0.438 (S/P)
126A	218867401	CHANNEL,AUGER MTG ,LH (S/P)
126B	218867402	CHANNEL,AUGER MTG ,RH (S/P)

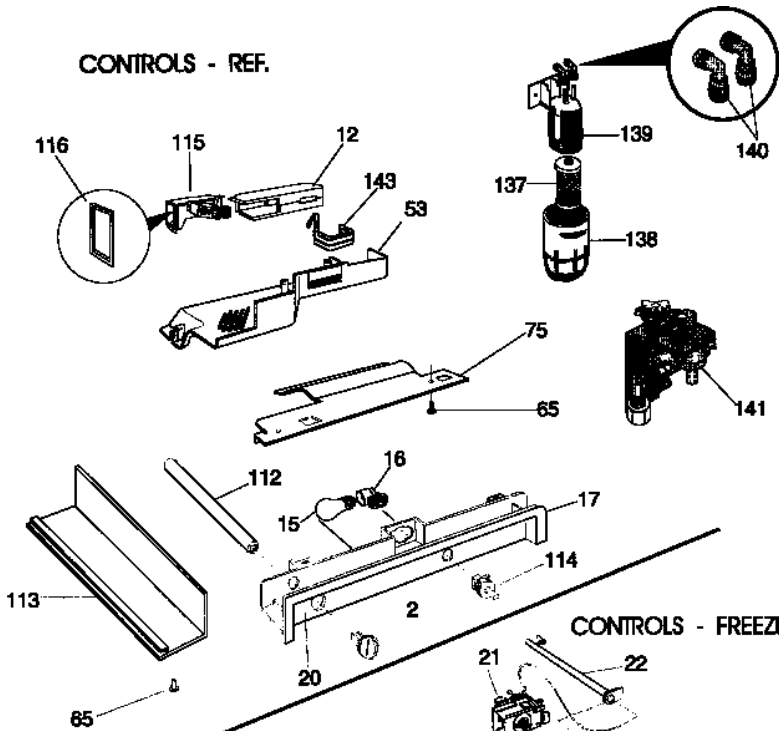
Distribuidor Autorizado

SurteRápido.com

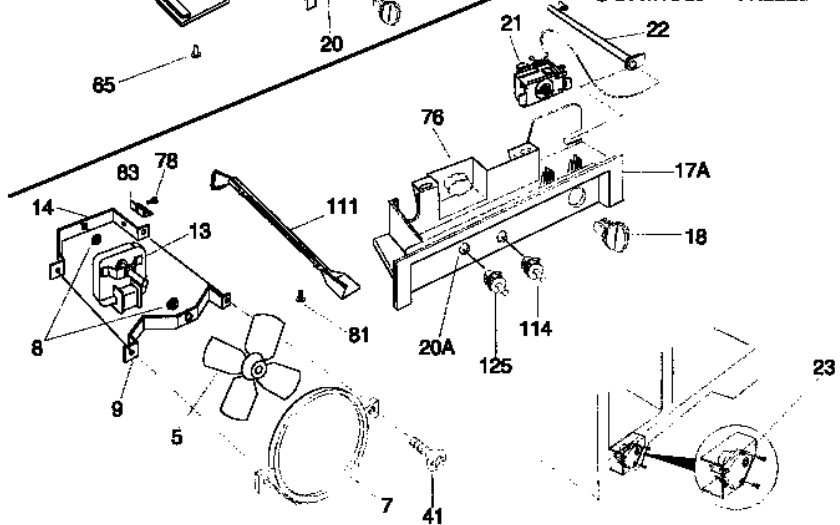
Venta de Refacciones
Electrodomesticas

FRS26ZSHB3 CONTROLS

CONTROLS - REF.



CONTROLS - FREEZER





FRS26ZSHB3 CONTROLS

2	5303307883	KNOB-DAMPER CONTROL,WHITE/ (S/P)
5	5308000010	FAN BLADE,RED (S/P)
7	5308000124	RING-FAN ORIFICE (S/P)
8	5300157666	BUSHING-MOTOR MTG,(2) (S/P)
9	5304414684	BRACKET-MOTOR MTG,FRONT (S/P)
12	215809600	DIFFUSER-AIR DESCONTINUADO
13	5303299165	MOTOR-EVAP FAN (S/P)
14	5303322992	BRACKET-MOTOR MTG,REAR (S/P)
15	5303013071	LIGHT BULB/LAMP,40 W (S/P)
16	241559801	SOCKET-LIGHT/LAMP (S/P)
17	218468701	CONTROL BOX,REFR ,W/LIGHT TUNNEL (S/P)
18	5303307882	KNOB-TEMP CONTROL DESCONTINUADO
20	5303307884	LABEL-CONTROL BOX,REFR (S/P)
20	5303307888	LABEL-CONTROL BOX,FRZR (S/P)
21	5303300027	CONTROL-TEMPERATURE (S/P)
22	5303319683	HOUSING-TEMP SENSOR,PLASTIC (S/P)
23	215846602	TIMER-DEFROST,60 HZ ,120 V ,8 HOUR/30 MIN
41	5308000039	SCREW,HEX WASHER HEAD (S/P)
53	215809511	BOX-DAMPER CONTROL (S/P)
65	5303001361	PIN-MOUNTING,PUSH-IN ,PLASTIC (S/P)
75	218465101	SHIELD-LIGHT,REFR (S/P)
76	218225800	COVER-LIGHT SOCKET (S/P)
78	5303274237	SCREW-BRACKET,HEX WSHR HD (S/P)
81	5308016566	SCREW,HEX WSHR HD ,8-15A X 0.625 (S/P)
83	5308000107	BRACKET-CONNECTOR (S/P)
111	5303297842	WIREWAY,FRZR (S/P)
112	215277102	ROD-DAMPER EXTN (S/P)
113	5303296580	COVER-DMPR ROD EXT (S/P)
114	5303289051	SWITCH-LIGHT/LAMP,WHITE (S/P)
115	215011505	DAMPER ASSY,W/SEAL (S/P)
116	215011400	SEAL-DAMPER,FOAM (S/P)
125	215334201	SWITCH-AUGER KILL,WHITE (S/P)
137	215334201	SWITCH-AUGER KILL,WHITE (S/P)

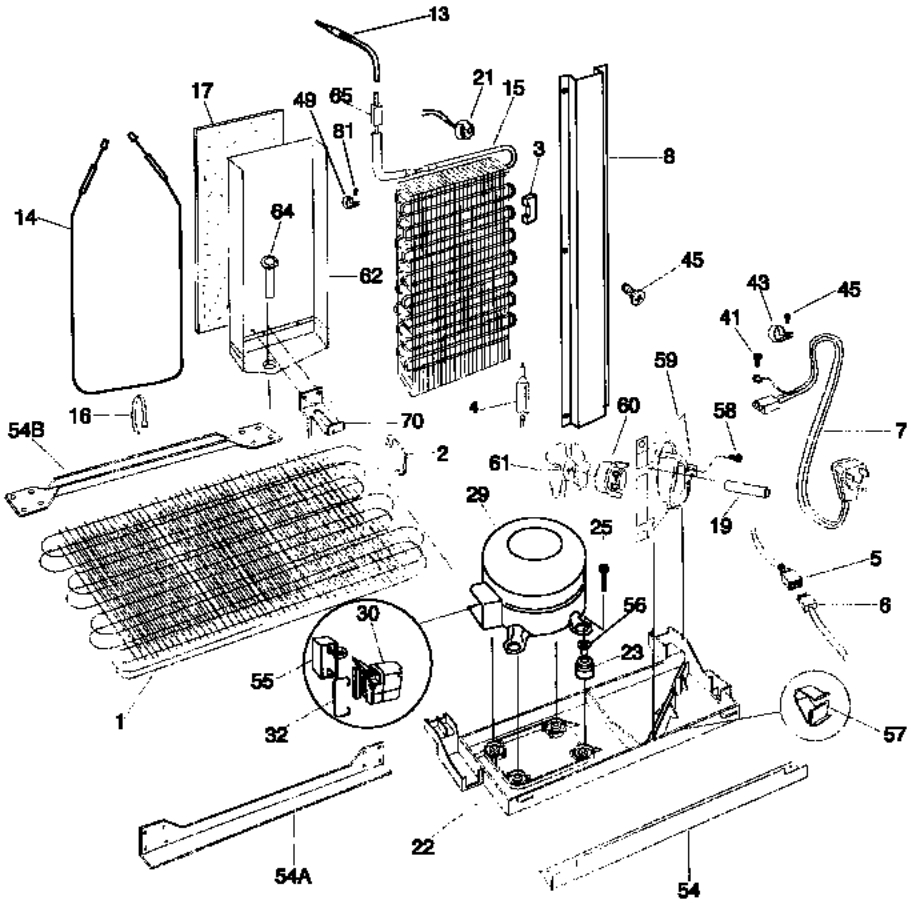
138	218893301	CUP-WATER FILTER (S/P)
139	218893201	HOUSING-WTR FILTER (S/P)
140	218518700	ELBOW-WATER TUBE (S/P)
143	218696700	HEATER-WATER FILTER (S/P)
17B	215188300	SCREW-CONTROL BOX MTG,HEX HEAD (S/P)
141B	215290100	SCREW-SOLENOID VALVE,HX (S/P)
141A	218832401	VALVE-WATER,DUAL SOLENOID ,115 V
17A	5303296581	CONTROL BOX,FRZR (S/P)

Distribuidor Autorizado

SurteRápido.com

Venta de Refacciones
Electrodomesticas

FRS26ZSHB3 SYSTEM





FRS26ZSHB3 SYSTEM

1	218787900	CONDENSER (S/P)
2	5303289029	CLIP-COND MTG,(4) (S/P)
3	218679603	BLOCK-EVAP COIL,STYROFOAM ,(2) (S/P)
4	5303305677	DRIER-FILTER,R134A SYSTEM (S/P)
5	218959901	WIRING HARNESS,MAIN (S/P)
6	218960301	WIRING HARNESS,MACHINE COMPT (S/P)
7	215459201	CORD-ELECTRIC POWER (S/P)
8	218803400	COVER-WIRING (S/P)
13	215006701	HEAT EXCHANGER,SUCTION LINE (S/P)
14	218169802	HEATER-DEFROST
15	218691301	EVAPORATOR,R134A SYSTEM (S/P)
16	5308000110	STRAP-EVAP/HEATER,ALUMINUM ,(2) (S/P)
17	5304415956	INSULATOR-EVAP (S/P)
19	218631200	TUBE,RUBBER DESCONTINUADO
21	218969902	THERMOSTAT-DEFROST (S/P)
22	5304460067	BASE-COMPRESSOR MTG,(DRAIN PAN) (S/P)
23	218513300	GROMMET-COMPR MTG,(4) (S/P)
25	218773500	SCREW-COMPRESSOR MTG,HEX WASHER (S/P)
29	218894802	COMPRESSOR,R134A ,W/O ELECTRICALS (S/P)
30	218721110	STARTER-PTC (S/P)
32	216649100	CLAMP,ELEC CONT MTG ,COMPRESSOR (S/P)
41	5308000039	SCREW,HEX WASHER HEAD ,8-32CA X 0.500 (S/P)
43	5303001199	CLAMP-SERVICE CORD,STRAIN RELIEF (S/P)
45	5303001343	SCREW,HEX WASHER HEAD ,8-15A X 0.500 (S/P)
49	215506900	BRACKET-EVAP MTG (S/P)
54	5303289311	RAIL-COMPR SUPPORT (S/P)
54	5303289027	RAIL-CABINET BASE,REAR (S/P)
54	5303289292	RAIL-CABINET BASE,FRONT (S/P)
55	218909913	CAPACITOR-RUN,220 VAC ,15 MICROFARAD (S/P)
56	218769300	INSERT-COMPRESSOR MTG (S/P)
57	218247300	CLIP-WIRING HARNESS (S/P)
58	215004600	SCREW-COND FAN MTR,HX SERR WSHR (S/P)
59	5303289031	SHROUD-COND FAN MTR (S/P)

60	215501901	MOTOR-CONDENSER FAN (S/P)
61	5303289032	BLADE-COND FAN DESCONTINUADO
62	215048703	TROUGH-DRAIN,W/SHIELD ASSY ,& 17 (S/P)
64	5303209723	TUBE-DRAIN (S/P)
65	5303289301	SPACER-TUBE (S/P)
70	5303289041	BRACKET-EVAP/CVR MTG (S/P)
81	5308016566	SCREW,HEX WSHR HD ,8-15A X 0.625 (S/P)



FRS26ZSHB3 ICE AND WATER DISP

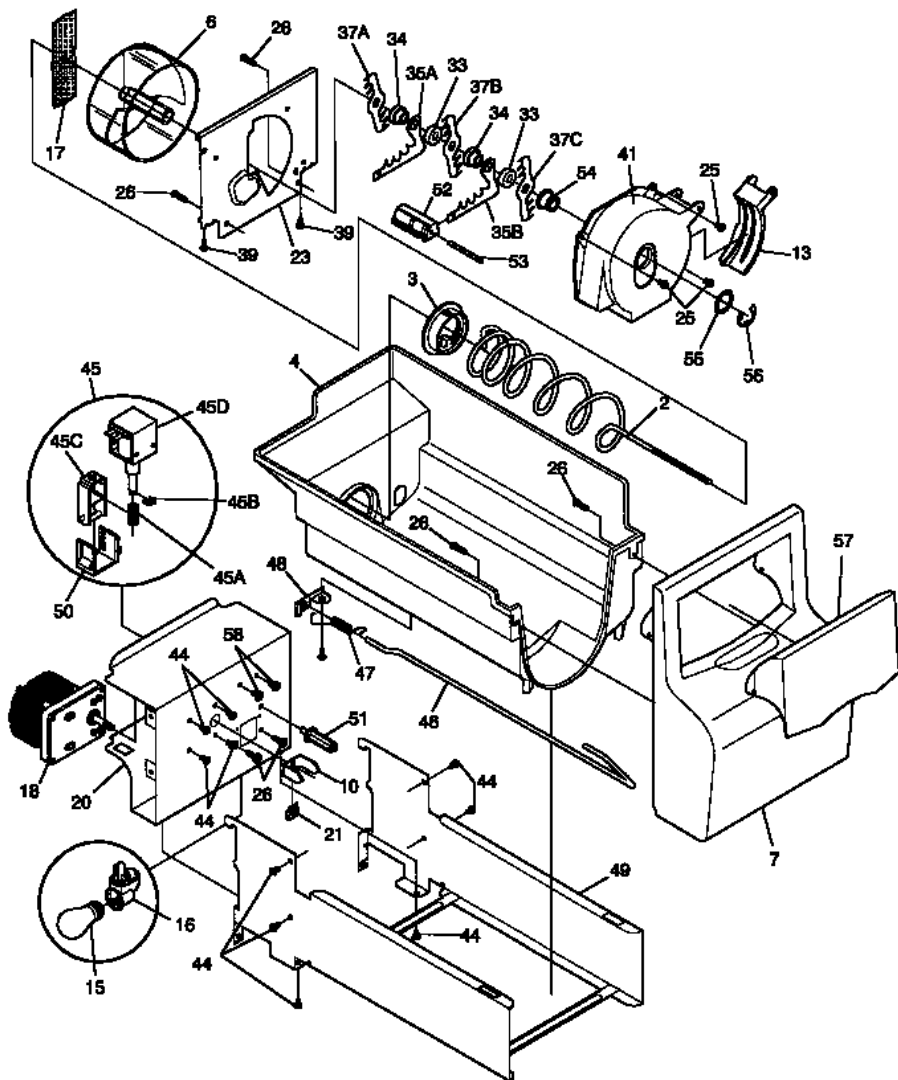
1	5308010366	TUBE-WATER INLET,0.25 OD X 93` ,PLASTIC (S/P)
2	218505303	DEFLECTOR-ICE DISP,BLACK (S/P)
3	215484300	HEATER-DOOR HOUSING (S/P)
4	218852403	HOUSING-DISPENSER,BLACK (S/P)
7	5303917595	SWITCH-ACTUATOR,MICRO (S/P)
8	218874901	MODULE-DISPENSER (S/P)
10	218209800	SPRING,DISPENSER DOOR (S/P)
14	218903715	LABEL-MODULE COVER,BLACK (S/P)
15	218284900	LIGHT BULB/LAMP,4 W ,115 V (S/P)
16	215284900	SOCKET-LIGHT/LAMP (S/P)
17	215794400	SCREW,6 X 1/4 (S/P)
23	5303299660	DRIP TRAY,BLACK (S/P)
24	218921303	ACTUATOR,BLACK (S/P)
26	215503200	SCREW,CR PAN HD ,10-16 X 0.500 (S/P)
28	218891403	COVER-SELECTOR,BLACK (S/P)
30	5304402125	DOOR ASSY-ICE CHUTE,W/GASKET,INSUL (S/P)
33	218870201	HEATER-DISP THROAT (S/P)
35	218740004	HEAT MOTOR,115 V (S/P)
36	218891301	COVER-MODULE (S/P)
38	218881801	PC BOARD,CONTROL (S/P)
38	218903501	PC BOARD,POWER
39	5304401778	WIRE-ICE DOOR
40	218284500	YOKE-HEAT MOTOR (S/P)
41	215917800	SPRING-ACTUATOR
43	215760300	SCREW,4 X 3/8 (S/P)
49	215794000	BRACKET-HEAT MOTOR (S/P)
56	218434300	SCREW-MICRO SWITCH,PAN HEAD (S/P)
82	215296300	SCREW,PLASK H/L ,6 X 3/8 (S/P)
83	5304412136	FUSE,PC BOARD ,7 A ,125 V (S/P)
17B	215923400	WASHER-FLAT (S/P)
17A	215840700	SCREW,TRUSS HEAD ,6-20 X 3/8 (S/P)

Distribuidor Autorizado

SurteRápido.com

Venta de Refacciones
Electrodomesticas

FRS26ZSHB3 ICE CONTAINER





FRS26ZSHB3 ICE CONTAINER

2	241716101	AUGER-ICE (S/P)
3	241685201	CAM-DRIVE (S/P)
4	241734001	CONTAINER-ICE (S/P)
6	241685101	DRUM-ICE DISP
7	241734201	FRONT-ICE CONTAINER (S/P)
10	241726501	BAR-DRIVE (S/P)
13	241885001	GATE (S/P)
15	5303013071	LIGHT BULB/LAMP,40 W (S/P)
16	241559801	SOCKET-LIGHT/LAMP (S/P)
17	241684501	DRIVE BLADE (S/P)
18	5304462594	MOTOR-AUGER (S/P)
20	241675502	COVER-MOTOR (S/P)
21	215285100	NUT-DRIVE (S/P)
23	241684001	PLATE-FRONT (S/P)
25	5304404362	SCREW,HEX WASHER HEAD ,8-32T X 0.375 (S/P)
26	215503200	SCREW,CR PAN HD ,10-16 X 0.500 (S/P)
33	241684801	SPACER (S/P)
34	241689801	SPACER (S/P)
35	241684301	FIXED BLADE,ROUND (S/P)
35	5304404352	Fixed Blade,square (S/P)
37	241684102	BLADE-CRUSHER, NO. 2 (S/P)
37	5304404348	BLADE-CRUSHER, NO. 1 (S/P)
37	241684103	BLADE-CRUSHER, NO. 3 (S/P)
39	5304404365	SCREW (S/P)
41	241885001	HOUSING-CRUSHER (S/P)
44	218359200	SCREW,PAN HEAD ,8-32 X 0.250 DESCONTINUADO
45	241675701	SOLENOID ASSY (S/P)
45	241676101	ACTUATOR-SOLENOID (S/P)
45	241675901	SPRING-SOLENOID (S/P)
45	5304406827	E-RING-SOLENOID (S/P)
45	241675801	SOLENOID (S/P)
46	5304404341	CONTROL ROD DESCONTINUADO
47	5304404342	SPRING-CONTROL ROD (S/P)

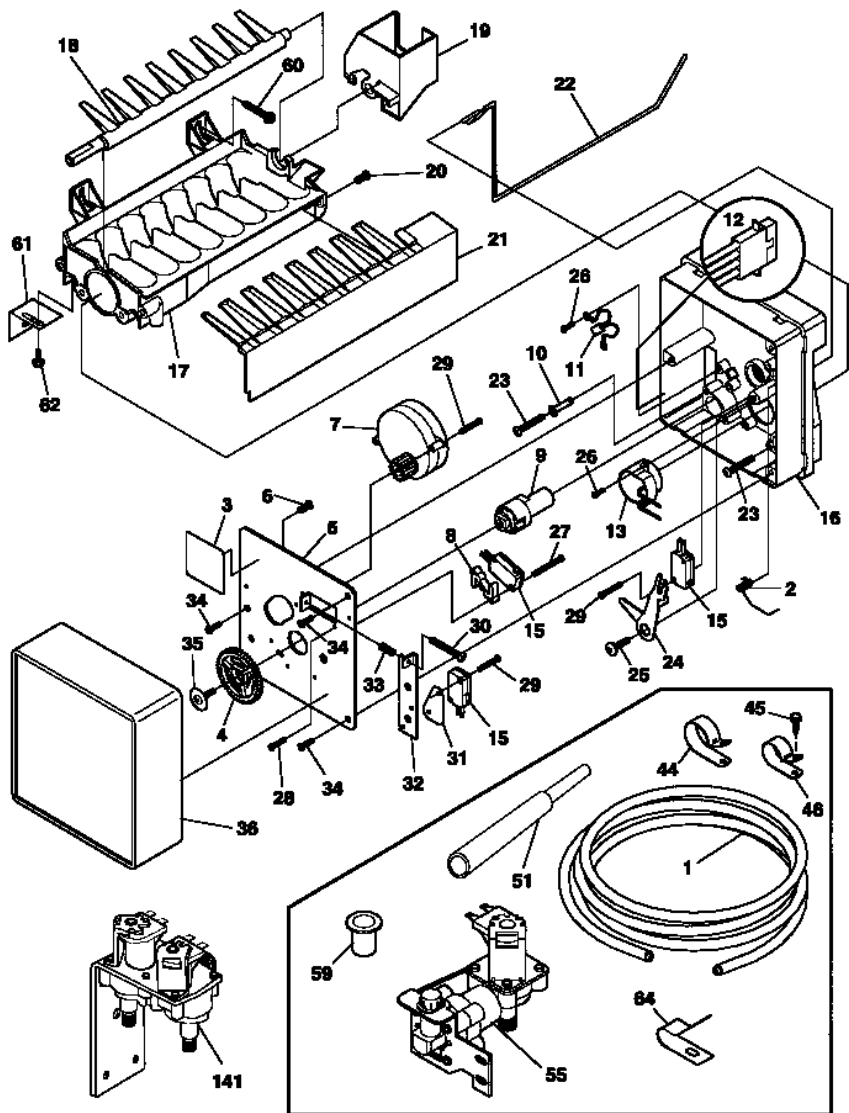
48	5304404340	BRACKET-CONTROL ROD (S/P)
49	5304404329	RAIL ASSY DESCONTINUADO
50	241675601	GUIDE-SOLENOID (S/P)
51	241676301	ROTATION STOP (S/P)
52	241684901	SPACER-FIXED BLADES (S/P)
53	241690402	PIN-SPIRAL, FIXED BLADES (S/P)
54	241685001	NUT-AUGER (S/P)
55	241690306	WASHER (S/P)
56	241690201	E-RING (S/P)
57	241734101	DOOR-ACCESS (S/P)
58	5304404331	SCREW-SOLENOID DESCONTINUADO

Distribuidor Autorizado

SurteRápido.com

Venta de Refacciones
Electrodomesticas

FRS26ZSHB3 ICE MAKER





FRS26ZSHB3 ICE MAKER

1	5308010366	TUBE-WATER INLET,0.25 OD X 93` ,PLASTIC (S/P)
2	5304420650	SPRING,SHUT-OFF ARM (S/P)
3	3206299	LABEL,ID PLATE (S/P)
4	5304456658	GEAR (S/P)
5	3206303	PLATE-MOUNTING (S/P)
6	3206305	SCREW-GROUND WIRE,8-32 X 0.250 (S/P)
7	3206306	MOTOR-ICE MAKER (S/P)
8	5304456661	SPACER-HOLD SWITCH (S/P)
9	3206313	CAM (S/P)
10	3206315	CLAMP (S/P)
11	3206319	THERMAL CUTOFF,ICE MAKER (S/P)
12	3206349	WIRING HARNESS,ICE MAKER (S/P)
13	3206322	THERMOSTAT ASSY,ICE MAKER (S/P)
15	5304456667	SWITCH,(3) (S/P)
16	3206326	SUPPORT,PHENOLIC (S/P)
17	5303320545	MOLD-ICE MAKER,RADIUS CUBE (S/P)
18	5304456670	EJECTOR-ICE (S/P)
19	3206330	BEARING & INLET (S/P)
20	5304408581	SCREW,8-32 X 0.375 (S/P)
21	3206332	ICE STRIPPER (S/P)
22	5304456673	SHUT-OFF ARM (S/P)
23	5304408582	SCREW,8-32 X 0.875 ,MOLD-TO-SUPPORT ,(3) (S/P)
24	5304456675	LEVER ARM (S/P)
25	3206336	SCREW,8-18 X 0.562 ,LEVER ARM/SPRT (S/P)
26	3206337	SCREW-THERMO/SPRT,4-24 X 0.375 ,(4) (S/P)
27	3206338	SCREW,4-40 X 1.000 ,HOLD SWITCH MTG ,(2) (S/P)
28	3206339	SCREW-TIMING STOP,4-40 X 0.375 (S/P)
29	3206323	SCREW,4-24 X 0.750 ,(6) (S/P)
30	3206341	SCREW-TIMING ADJ,8-32 X 1.000 (S/P)
31	5304456680	INSULATOR (S/P)
32	3206343	PLATE-VALVE SWITCH (S/P)
33	5304456682	SPRING-TIMING ADJ (S/P)
34	5304408584	SCREW,PLASCREW ,6 ,(3) (S/P)

35	5304408585	SCREW (S/P)
36	5304456685	COVER-ICE MAKER (S/P)
44	5308000133	CLAMP,NYLON ,.625 ID (S/P)
45	5303001343	SCREW,HEX WASHER HEAD ,8-15A X 0.500 (S/P)
46	5303001193	CLAMP,.50 ID ,STEEL ,WATER TUBE (S/P)
51	218947201	TUBE-WATER FILL,EXTENSION ,WITH NOTCH (S/P)
55	218859701	VALVE-WATER,SINGLE SOLENOID ,115 V ,W/NUT
59	5303001191	SLEEVE-TUBE INSERT (S/P)
60	5303207328	SCREW,HEX WASHER HEAD ,8-15A X 1.000 ,(2) (S/P)
61	218721500	BRACKET-LEVELING,ICE MAKER (S/P)
62	218737900	SCREW-IM BRKT MTG,HEX WASHER HEAD (S/P)
64	5304455846	CLAMP,0.31 ID ,STEEL ,COPPER WTR LINE (S/P)
141	218832401	VALVE-WATER,DUAL SOLENOID ,115 V ,W/NUT