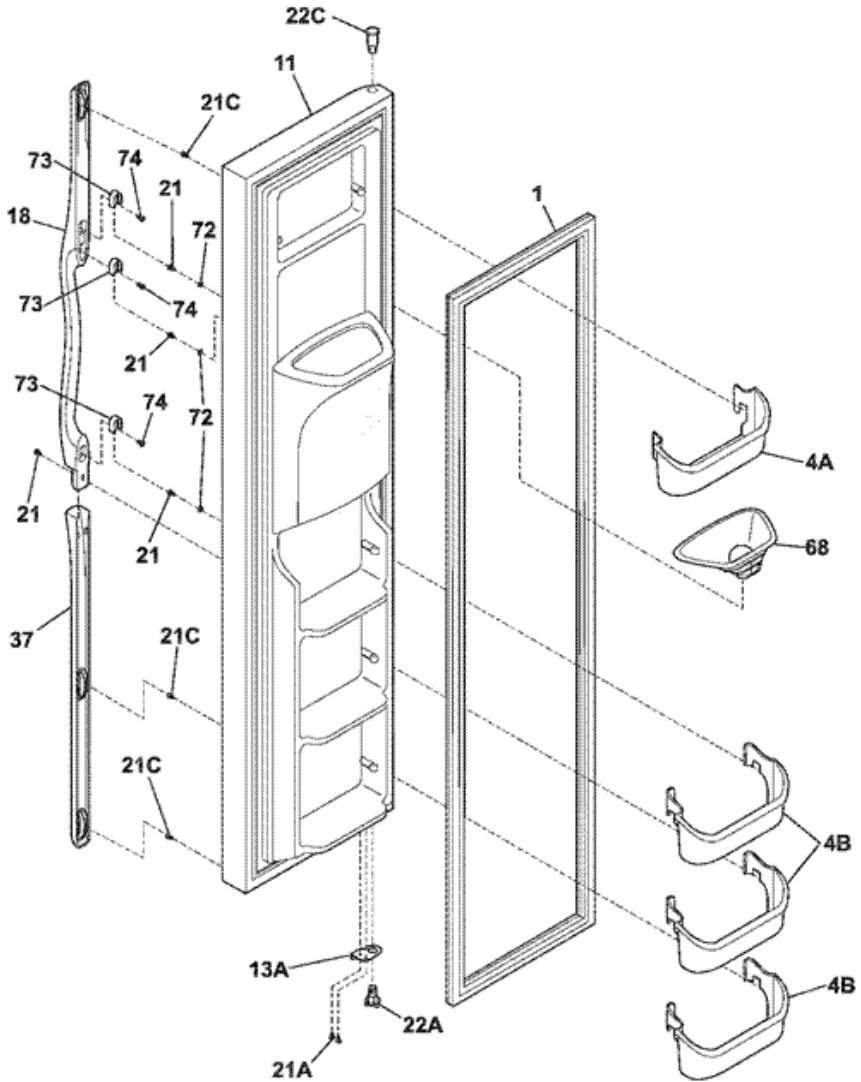


Distribuidor Autorizado

**SurteRápido.com**

Venta de Refacciones  
Electrodomesticas

## FRS6B5EEW1 FREEZER DOOR

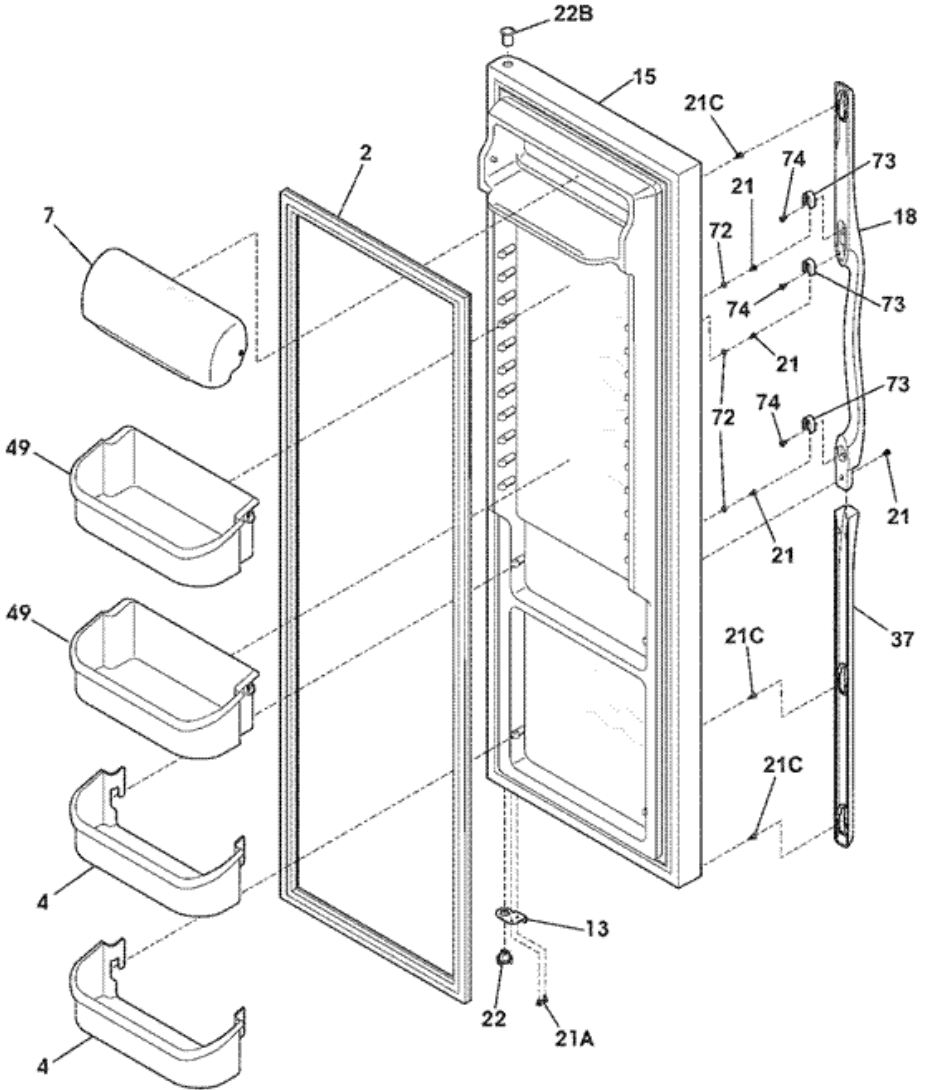




## FRS6B5EEW1 FREEZER DOOR

11	241668112	PANEL-FRZR DOOR,WHITE ,COMPLETE ASSY (S/P)
18	241934304	HANDLE-DOOR,WHITE (S/P)
21	218781100	SCREW,PAN HEAD ,8-18 X 0.625 (S/P)
37	241927001	TRIM-HANDLE,30.13` ,WHITE ,LOWER (S/P)
68	241525101	CHUTE-ICE (S/P)
72	240421701	BUTTON-HANDLE MTG,DOVETAIL (S/P)
73	218396700	BLOCK-HANDLE MTG,DOVETAIL (S/P)
74	215503200	SCREW,CR PAN HD ,10-16 X 0.500 (S/P)
NI	240352102	CONNECTOR-WATER,STRAIGHT (S/P)
13A	240537102	DOOR STOP,WHITE ,FRZR (S/P)
4A	240334201	BIN-DOOR,FRZR-UPPER (S/P)
4B	240351601	BIN-DOOR (S/P)
NI	240552104	HARNES-WIRING,DOOR (S/P)
21A	5308016566	SCREW,HEX WASHER HEAD
22A	240328202	BEARING-HINGE(FRZ),CLOSER
22C	240328402	BEARING-HINGE,NATURAL ,UPPER (S/P)
NI	5303918256	DISPENSER HEATER KIT (S/P)
21C	240521302	SCREW,NO.8-18 X 3/4 (S/P)
F1	241786002	GASKET-FRZR DOOR,WHITE ,MAGNETIC (S/P)

**FRS6B5EEW1 REFRIGERATOR DOOR**





## FRS6B5EEW1 REFRIGERATOR DOOR

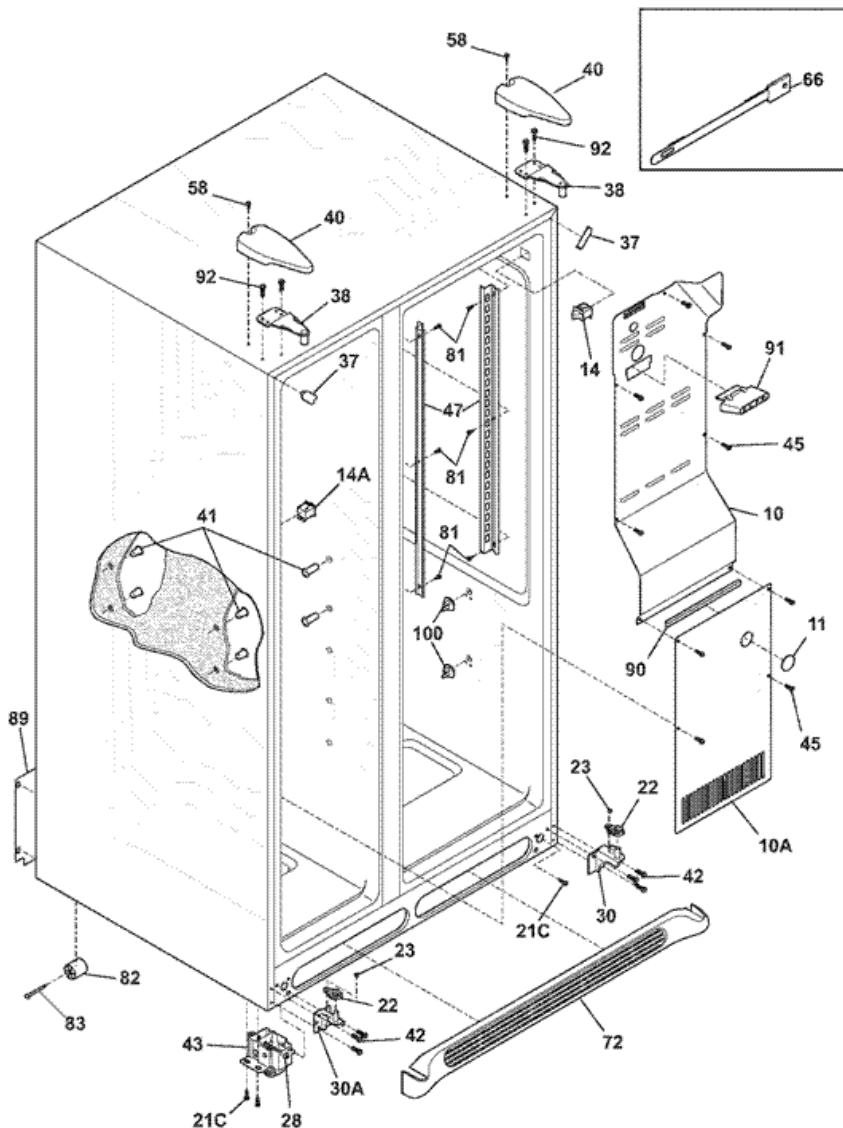
4	240323002	BIN-DOOR,PSEUDO ,BOTTOM
7	240326203	DOOR-DAIRY <b>(S/P)</b>
13	240537101	DOOR STOP,WHITE ,REF <b>(S/P)</b>
15	240451900	PANEL-REFR DOOR,WHITE ,COMPLETE ASSY <b>(S/P)</b>
18	241934301	HANDLE-DOOR,WHITE <b>(S/P)</b>
21	218781100	SCREW,PAN HEAD ,8-18 X 0.625 <b>(S/P)</b>
22	240328201	BEARING-HINGE(REF),CLOSER
37	241927001	TRIM-HANDLE,30.13`` ,WHITE ,LOWER <b>(S/P)</b>
49	240356402	BIN-DOOR,GALLON <b>(S/P)</b>
72	240421701	BUTTON-HANDLE MTG,DOVETAIL <b>(S/P)</b>
73	218396700	BLOCK-HANDLE MTG,DOVETAIL <b>(S/P)</b>
74	215503200	SCREW,CR PAN HD ,10-16 X 0.500 <b>(S/P)</b>
F2	241786001	GASKET-REFR DOOR,WHITE ,MAGNETIC <b>(S/P)</b>
21A	5308016566	SCREW,HEX WASHER HEAD
21C	240521302	SCREW,NO.8-18 X 3/4 <b>(S/P)</b>
22B	240328401	BEARING-HINGE(REF),NATURAL ,UPPER <b>(S/P)</b>

Distribuidor Autorizado

SurteRápido.com

Venta de Refacciones  
Electrodomesticas

## FRS6B5EEW1 CABINET





## FRS6B5EEW1 CABINET

10	240435906	COVER-AIR DUCT (S/P)
11	5303208309	PLUG-HOLE,FACTORY TEST (S/P)
14	240505801	SWITCH,LIGHT/LAMP (S/P)
22	240457701	PLATE-DOOR CLOSER
23	240402701	SCREW-NO.10-32 X 1/4 FLAT HD (S/P)
28	240335501	BOLT-ROLLER ADJ,HEX WASHER HEAD (S/P)
30	5303918455	BRACKET-LOWER HINGE, REF (S/P)
37	240337608	TRIM-CABINET CORNER,WHITE ,(2) (S/P)
38	240327207	BRACKET-UPPER HINGE (S/P)
40	240327005	COVER-UPPER HINGE,WHITE (S/P)
41	241550801	GROMMET-SHELF MTG,1.40`` LONG (S/P)
42	240578901	SCREW-HINGE MTG,HEX HEAD ,1/4-20 X 5/8 (S/P)
43	240335006	ROLLER ASSY,ADJUSTABLE ,FRONT ,(2) (S/P)
45	241500301	SCREW,HEX WASHER HEAD ,8-18AB X 0.500 (S/P)
47	240349402	CHANNEL-SHELF MTG,SIDE ,(2) (S/P)
58	218781100	SCREW,PAN HEAD ,8-18 X 0.625 (S/P)
66	5304424968	DAMPER COVER ASSY (S/P)
72	241521613	GRILLE/KICKPLATE,WHITE (S/P)
81	5308016566	SCREW,HEX WASHER HEAD
82	5304418225	ROLLER,COMPRESSOR BASE ,REAR ,(2) (S/P)
83	5303316859	RIVET,FLAT HEAD ,1/4 OD X 1-3/4 ,ROLLER PIN (S/P)
89	241733902	COVER ACCESS (S/P)
90	218249808	SEAL-COIL COVER (S/P)
91	240380101	DUCT-ICE MAKER (S/P)
92	216850900	SCREW,HEX WASHER HD ,1/4 X 7/8 (S/P)
100	240423701	SUPPORT,CRISPER COVER ,FRONT ,(4)
F100	240350802	SUPPORT,CRISPER COVER ,REAR ,(4)
NI	240481601	SHIM-LOWER HINGE (S/P)
30A	5303918455	BRACKET-LOWER HINGE (S/P)
14A	241547901	SWITCH-LIGHT/LAMP,FRZR DOOR (S/P)
NI	241550701	GROMMET-SHELF MTG,,96`` LONG (S/P)
NI	5303321319	PAINT,TOUCH-UP ,WHITE (S/P)
21C	218252200	SCREW,NO.8 TRUSS HD ,10-32CA X 0.500 (S/P)

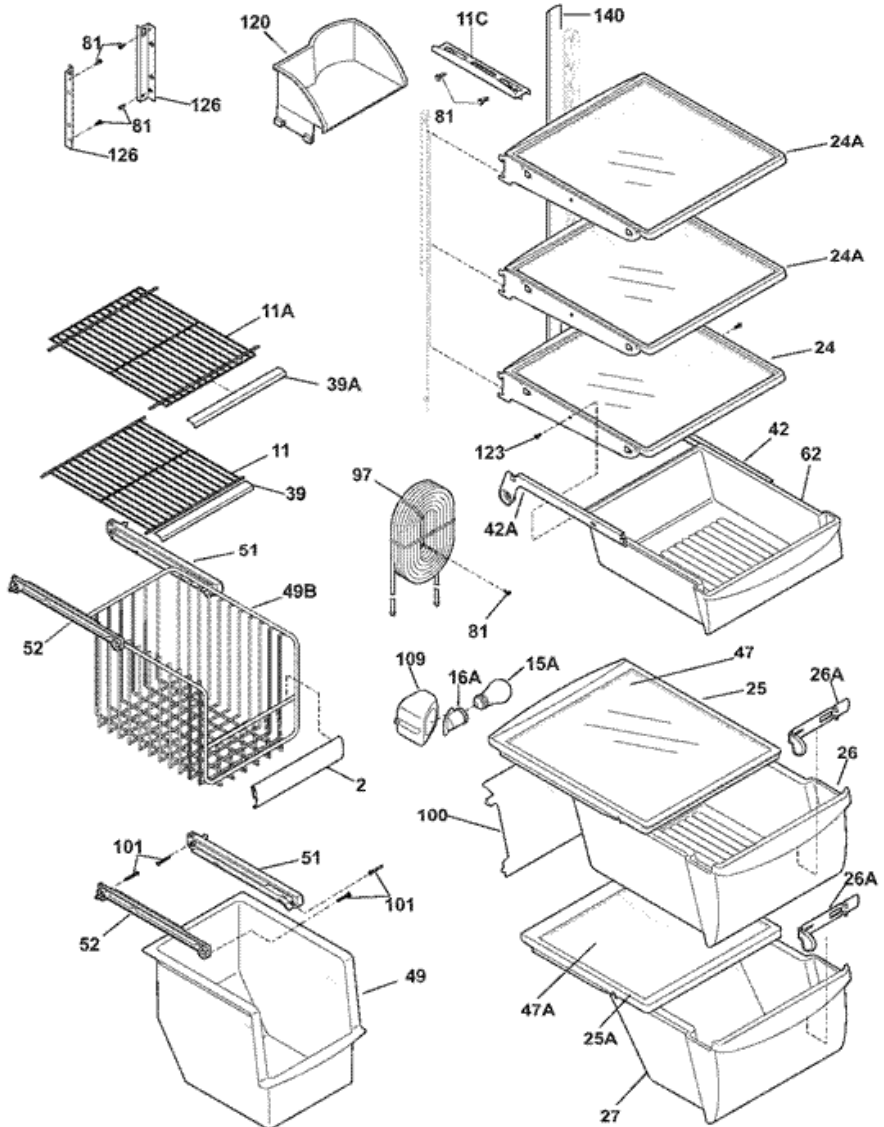
10A	240475907	COVER-EVAP COIL,LOWER <b>(S/P)</b>
NI	240479601	PLUG,BUTTON ,CAB LINER HOLES ,(2) <b>(S/P)</b>
NI	240518802	PIN-PUSH,PUSH-IN ,PLASTIC <b>(S/P)</b>

Distribuidor Autorizado

SurteRápido.com

Venta de Refacciones  
Electrodomesticas

## FRS6B5EEW1 SHELVES





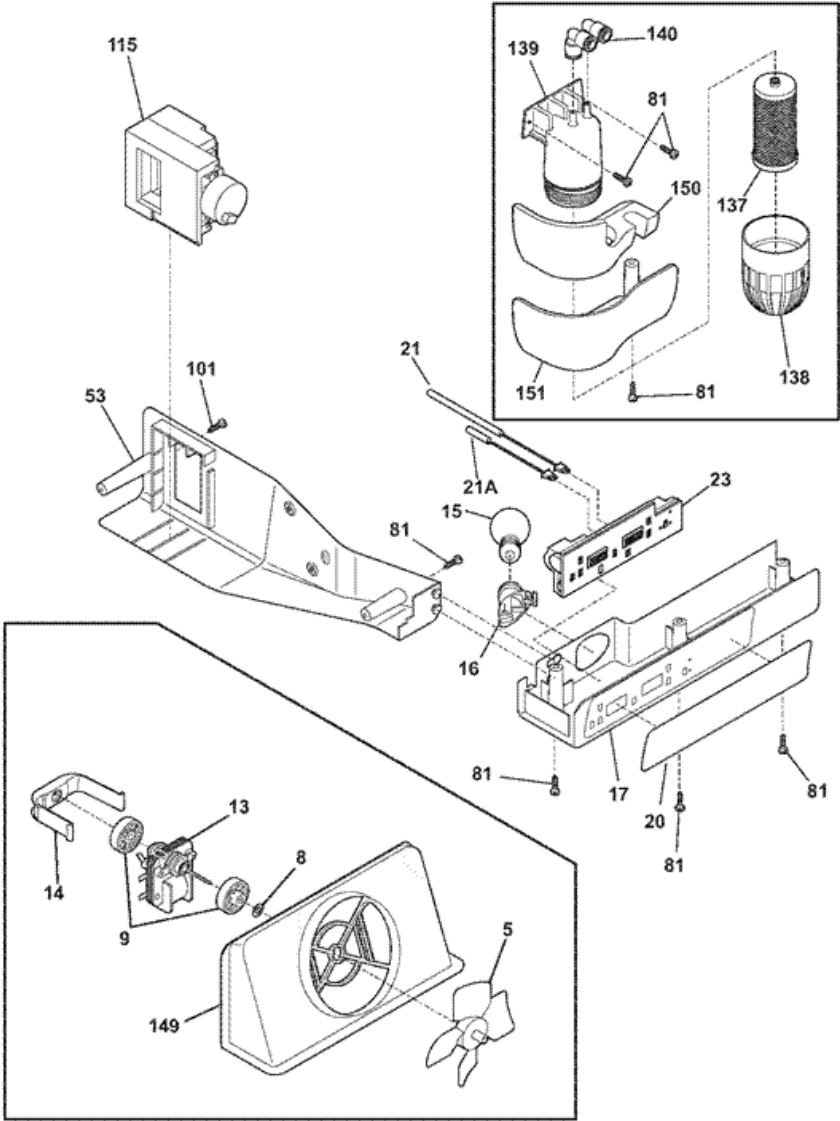


## FRS6B5EEW1 SHELVES

2	241510604	TRIM-BASKET (S/P)
11	241657602	SHELF-FREEZER,FLIP-UP (S/P)
24	240355203	SHELF-`SPILL-SAFE`,FIXED (S/P)
25	240350702	COVER-CRISPER PAN,UPPER (S/P)
26	240351005	PAN-CRISPER,UPPER (S/P)
27	240351205	PAN-CRISPER,LOWER (S/P)
39	240430706	TRIM-SHELF,11.21` ,FRONT (S/P)
42	240356501	TRACK,MEAT PAN HANGER ,RH (S/P)
47	241711236	INSERT-PAN COVER,GLASS (S/P)
49	240564401	BASKET-SLIDING (S/P)
51	240343002	HANGER-BASKET,RH (S/P)
52	240343102	HANGER-BASKET,LH (S/P)
62	240342805	PAN-MEAT (S/P)
81	5308016566	SCREW,HEX WASHER HEAD
97	240545302	WATER TANK ASSY,COILED TUBING (S/P)
100	240326304	COVER-WATER TANK (S/P)
101	218493100	SCREW,HEX WASHER HEAD ,8-18AB X 1-3/4 (S/P)
109	240351301	BASE-CRISPER LIGHT SOCKET (S/P)
120	240342901	SHELF-ICE CREAM (S/P)
123	215005100	SCREW,HANGER/RLR MTG ,8-10 X 0.438 (S/P)
126	241630701	CHANNEL,AUGER MTG ,LH (S/P)
126	241674402	CHANNEL,AUGER MTG ,RH (S/P)
140	240430501	CHANNEL,WTR TUBE COVER (S/P)
39A	240430702	TRIM-SHELF,12.39` ,FRONT (S/P)
F16A	241513901	SOCKET-LIGHT (S/P)
F16A	241537602	HARNESS-WIRING (S/P)
NI	240362101	CLIP-SLIDE,COVER-CRISPER (S/P)
F101	215005000	SCREW,HEX WSHR HD (S/P)
25A	240350903	COVER-CRISPER PAN,LOWER (S/P)
42A	240349701	HANGER-MEAT PAN,LH (S/P)
F42A	240350001	SPRING-MEAT PAN RAIL (S/P)
24A	240355205	SHELF-`SPILL-SAFE`,FIXED (S/P)
26A	240362201	CONTROL-HUMIDITY (S/P)

49B	240530504	BASKET-SLIDING,UPPER ,FULL <b>(S/P)</b>
11C	240324101	SHELF-PIZZA <b>(S/P)</b>
11A	241657504	SHELF-FREEZER,FIXED WIRE <b>(S/P)</b>
NI	240349801	CLIP-SLIDE,PAN-CRISPER <b>(S/P)</b>
F42A	240349901	BLOCK-MEAT PAN RAIL,LH <b>(S/P)</b>
47A	240350603	INSERT-PAN COVER,GLASS
15A	241555401	LIGHT BULB <b>(S/P)</b>

**FRS6B5EEW1 CONTROLS**





**FRS6B5EEW1 CONTROLS**

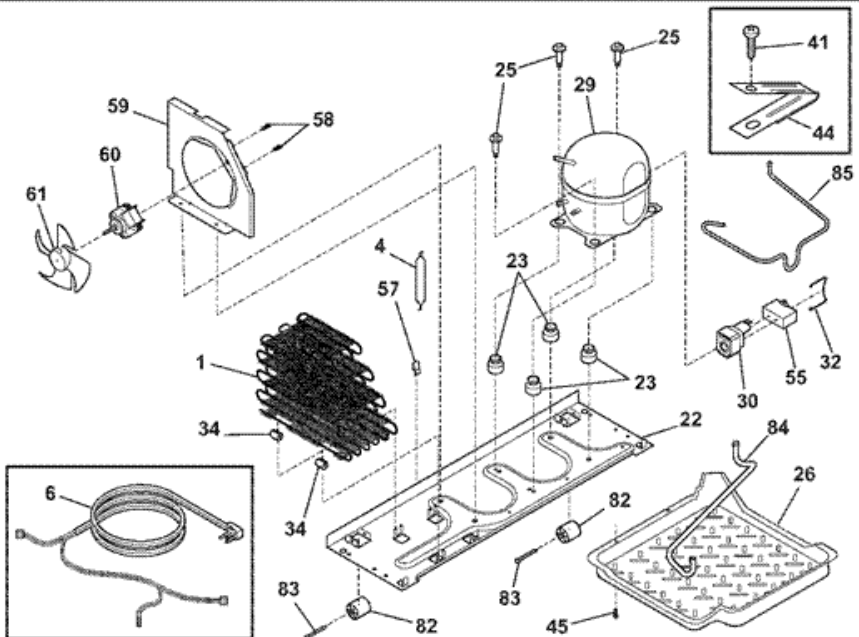
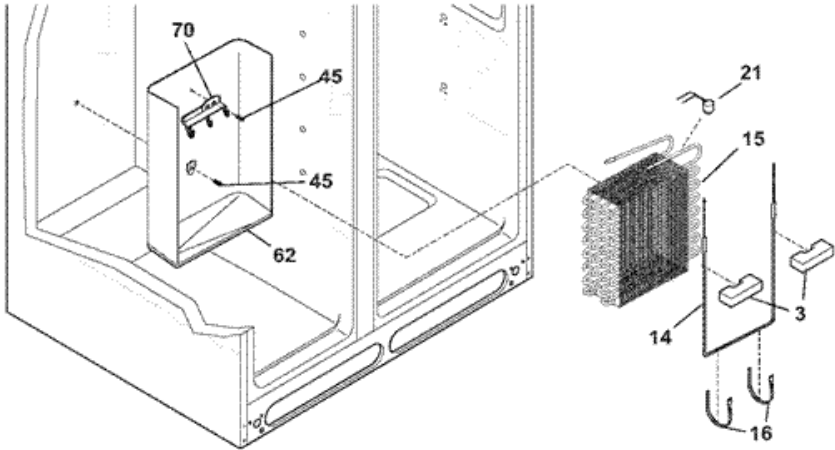
8	215474201	WASHER, ``SLINGER`` ,NYLON (S/P)
9	241563601	BUSHING-MOTOR MTG,(2) (S/P)
13	5304445861	MOTOR-EVAP FAN
14	241517701	CLIP,EVAP FAN MOTOR (S/P)
15	241555401	LIGHT BULB (S/P)
17	241628701	HARNESS-WIRING,CONTROL BOX (S/P)
17	241633501	BOX-CONTROL,FRONT (S/P)
20	241604003	LABEL-CONTROL BOX <b>DESCONTINUADO</b>
21	241608401	THERMISTOR-REFR (S/P)
23	5303918341	BOARD-CONTROL,BOARD & HOUSING (S/P)
53	241608901	BOX-CONTROL (S/P)
81	5308016566	SCREW,HEX WASHER HEAD
101	241637201	SCREW-HEX HD NO.8AB X 1 3/4 (S/P)
115	241600902	DAMPER ASSY,W/SEAL (S/P)
138	240434401	CUP-WATER FILTER
139	240434301	HOUSING-WATER FILTR (S/P)
140	240545201	ELBOW-WATER TUBE (S/P)
149	241595502	SHROUD-FAN ORFICE (S/P)
150	240394102	INSULATION-WATER FILTER COVER (S/P)
151	240376002	COVER-WATER FILTER (S/P)
F138	218904301	O-RING,WTR FILTER CUP (S/P)
NI	215188300	SCREW-CONTROL BOX MTG,HEX HEAD (S/P)
F16	241513901	SOCKET-LIGHT (S/P)
NI	5303001259	SCREW-TIMER MTG,PAN HD ,6-20 X 0.438 ,(2) (S/P)
F5	5308000010	FAN BLADE,RED ,EVAPORATOR FAN (S/P)
F137	218710300	WRENCH-FILTER (S/P)
F137	WF1CB	FILTER,WATER ,CARBON CANISTER
F149	241528303	SEAL,SHROUD (S/P)
21A	241608501	THERMISTOR-FRZR (S/P)
NI	241641201	INSERT (S/P)

Distribuidor Autorizado

**SurteRápido.com**

Venta de Refacciones  
Electrodomesticas

FRS6B5EEW1 SYSTEM





## FRS6B5EEW1 SYSTEM

1	242039202	CONDENSER (S/P)
3	218679607	BLOCK-EVAP COIL,STYROFOAM ,(2) (S/P)
6	241586801	HARNESS-WIRING,MACHINE COMPT (S/P)
16	5308000110	STRAP-EVAP/HEATER,ALUMINUM ,(2) (S/P)
22	240330011	BASE-COMPRESSOR MTG (S/P)
23	218513300	GROMMET-COMPR MTG,(4) (S/P)
25	240491503	SCREW-COMPRESSOR MTG,1/4-28 X 1.16 (S/P)
26	241637401	PAN-DEFROST (S/P)
32	218973501	CLAMP,ELEC CONT MTG ,COMPRESSOR (S/P)
34	240405201	GROMMET,RUBBER ,BLACK ,COND TUBE/WIRE (S/P)
41	240555001	SCREW-NO.8-32 X 3/8 (S/P)
44	5303001199	CLAMP-SERVICE CORD,STRAIN RELIEF (S/P)
45	5308016566	SCREW,HEX WASHER HEAD ,8-15A X 0.625
55	218909913	CAPACITOR-RUN,220 VAC ,15 MICROFARAD
57	240542601	CLIP-WIRING HARNESS (S/P)
58	218897002	SCREW,HEX WASHER HEAD ,8-32 X 0.375 (S/P)
59	5304430246	BRACKET-COND MOTOR ASSY <b>DESCONTINUADO</b>
62	5304481642	TROUGH-DRAIN (S/P)
70	218990801	BRACKET-EVAP/CVR MTG (S/P)
82	5304418225	ROLLER,COMPRESSOR BASE ,REAR ,(2) (S/P)
83	5303316859	RIVET,FLAT HEAD ,1/4 OD X 1-3/4 ,ROLLER PIN (S/P)
84	241957901	TUBE-DRAIN,LOWER (S/P)
85	241844801	TUBE-CONNECTOR,SUCTION (S/P)
F61	240524102	FAN BLADE,GALV STEEL ,CONDENSER FAN (S/P)
NI	240346701	TAPE-FOAM SEAL,SHROUD (S/P)
NI	240359401	SCREW-FAN SHROUD,(2) (S/P)
NI	240449601	HARNESS-WIRING (S/P)
NI	218252200	SCREW,NO.8 TRUSS HD ,10-32CA X 0.500 (S/P)
F4	5303305677	DRIER-FILTER,R134A SYSTEM (S/P)
F60	240525402	MOTOR,CONDENSOR FAN (S/P)
F30	241524605	STARTER (S/P)
F29	5304475102	COMPRESSOR,W/ELECTRICALS (S/P)
NI	241628701	HARNESS-WIRING,CONTROL BOX (S/P)

F21	5303918214	THERMOSTAT-DEFROST,KIT
NI	5303918222	HOT TUBE REPAIR KIT,SERVICE <b>(S/P)</b>
F14	5303918254	DEFROST HEATER KIT
FNI	5303918328	HEAT EXCHANGER KIT,SUCTION LINE <b>(S/P)</b>
F15	5303918284	EVAPORATOR KIT <b>(S/P)</b>

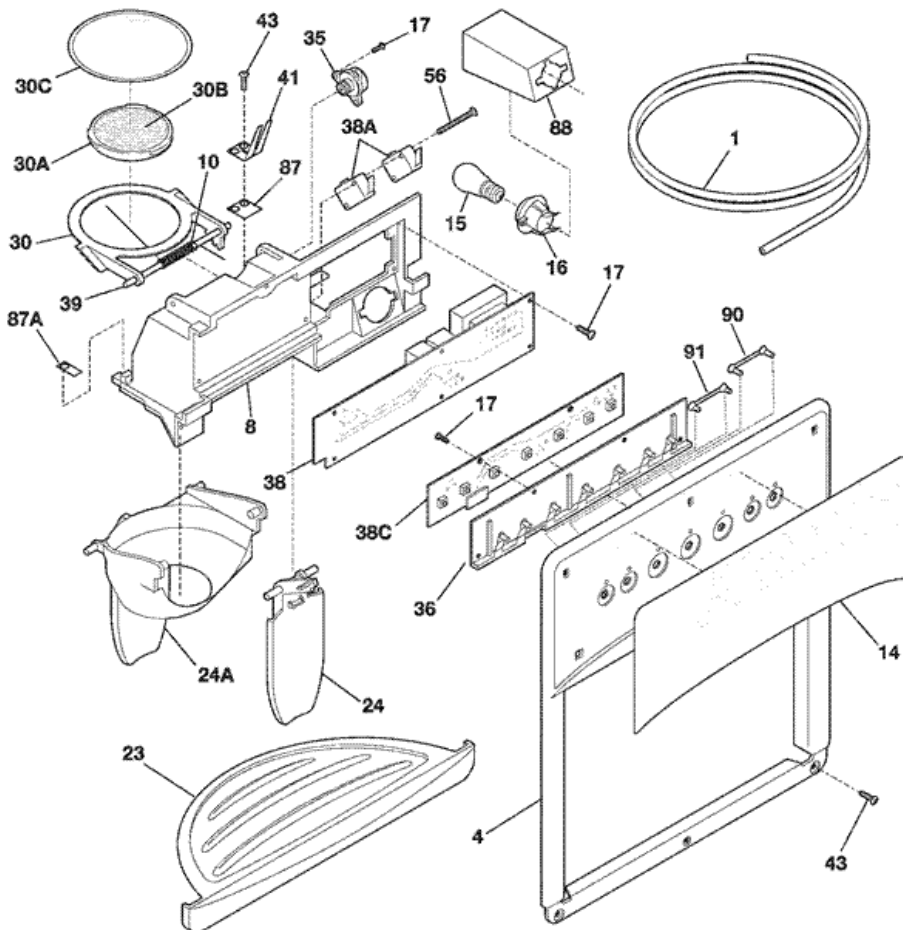
Distribuidor Autorizado

**SurteRápido.com**

Venta de Refacciones  
Electrodomesticas



## FRS6B5EEW1 WATER DISPENSER







## FRS6B5EEW1 WATER DISPENSER

1	218976409	TUBE-WATER-DOOR (S/P)
4	241678701	COVER-MODULE,WHITE (S/P)
8	241680505	MODULE-DISPENSER (S/P)
10	241688901	SPRING-TORSION (S/P)
14	240323906	LABEL-MODULE COVER,WHITE (S/P)
15	5304421616	LIGHT BULB (S/P)
16	240548901	SOCKET-LIGHT (S/P)
17	5304421619	SCREW (S/P)
23	241649001	DRIP TRAY,WHITE (S/P)
24	241682001	ACTUATOR-WATER,WHITE (S/P)
30	241688401	DOOR ASSY-ICE CHUTE (S/P)
35	241689301	DAMPER-ROTARY (S/P)
36	241680301	CARRIER (S/P)
38	241708202	PC BOARD-POWER (S/P)
39	241688801	PIN-HINGE (S/P)
41	241689001	SPRING-ACTUATOR (S/P)
43	215296300	SCREW,PLASK H/L ,NO.6 X 3/8 (S/P)
56	5304421830	SCREW-MICRO SWITCH,PAN HEAD (S/P)
87	241688302	BEARING PLATE (S/P)
88	241686101	SHIELD-LIGHT (S/P)
90	241680201	LIGHT PIPE,REFLECTOR (S/P)
91	241680101	LIGHT PIPE,REFLECTOR ,SHORT (S/P)
NI	241686201	INSULATOR-ELECTRICAL (S/P)
F38C	241680002	HARNESS-RIBBON CABLE (S/P)
87A	241688301	BEARING PLATE (S/P)
38C	241708309	BOARD-CONTROL (S/P)
NI	218976901	TUBE-WATER INLET,INLET VALVE (S/P)
NI	218976904	TUBE-WATER INLET,VALVE TO FILTER (S/P)
NI	240561701	SEAL-WATER INLET,INLET VALVE (S/P)
NI	218976907	TUBE-WATER INLET,VALVE TO DOOR (S/P)
NI	240363401	SCREW-NO.8-18 X 1/2,NO.6 HD PLASK (S/P)
NI	5303918256	DISPENSER HEATER KIT (S/P)
24A	241681901	ACTUATOR-ICE,WHITE (S/P)

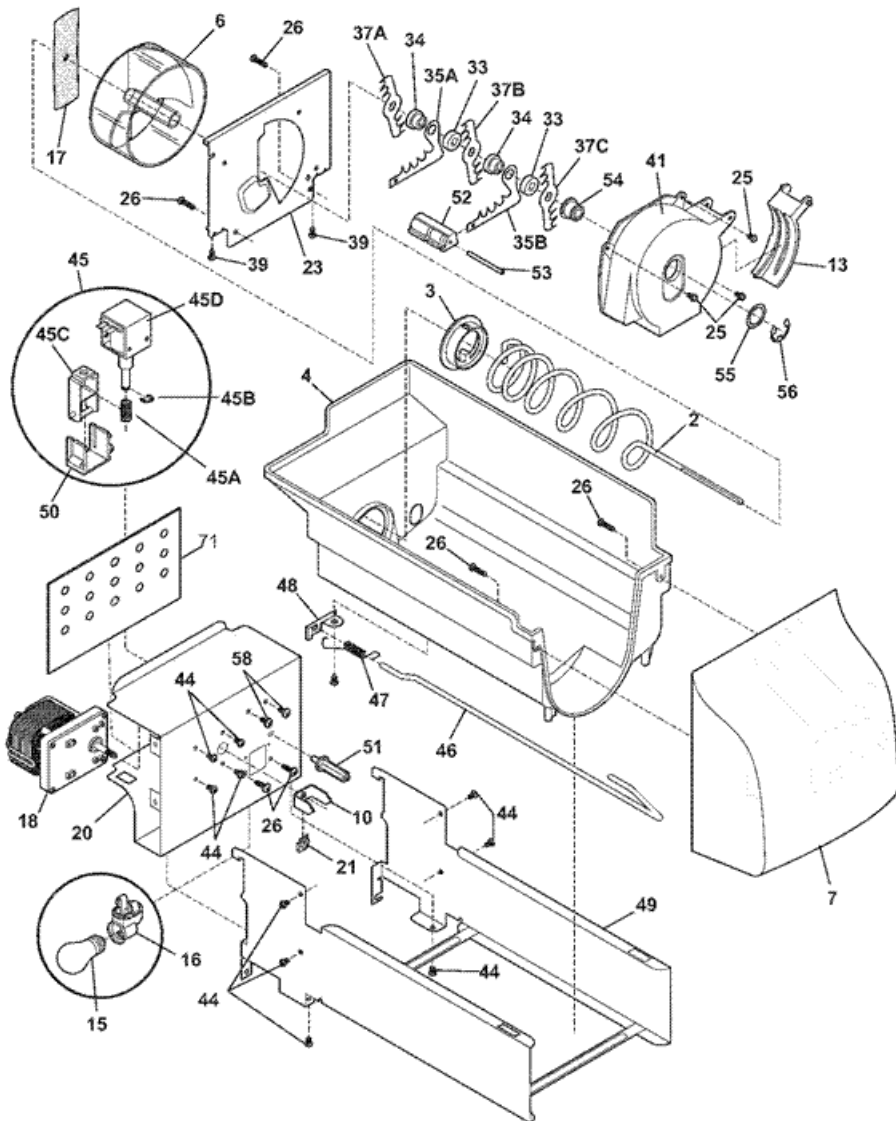
30C	241688701	DOOR SEAL <b>(S/P)</b>
30A	241688501	DOOR CENTER <b>(S/P)</b>
30B	241688601	INSULATION-DOOR <b>(S/P)</b>
F38A	241689101	SWITCH-MICRO,SINGLE POLE <b>(S/P)</b>

Distribuidor Autorizado

SurteRápido.com

Venta de Refacciones  
Electrodomesticas

# FRS6B5EEW1 ICE CONTAINER





## FRS6B5EEW1 ICE CONTAINER

2	241716101	AUGER-ICE (S/P)
3	241685201	CAM-DRIVE (S/P)
4	218815300	CONTAINER-ICE,BUCKET ONLY
6	241685101	DRUM-ICE DISP
7	241734201	FRONT-ICE CONTAINER (S/P)
10	241726501	BAR-DRIVE (S/P)
13	241885001	GATE (S/P)
15	241555401	LIGHT BULB (S/P)
16	241559801	SOCKET-LIGHT (S/P)
17	241684501	DRIVE BLADE (S/P)
20	5304404332	COVER-MOTOR (S/P)
21	241726501	NUT-DRIVE (S/P)
23	241684001	PLATE-FRONT (S/P)
25	5304404362	SCREW,HEX WASHER HEAD ,8-32T X 0.375 (S/P)
26	215503200	SCREW,CR PAN HD ,10-16 X 0.500 (S/P)
33	241684801	SPACER (S/P)
34	241689801	SPACER (S/P)
39	5304404365	SCREW (S/P)
41	241885001	HOUSING-CRUSHER (S/P)
44	218359200	SCREW,PAN HEAD ,8-32 X 0.250 (S/P)
46	5304404341	CONTROL ROD <b>DESCONTINUADO</b>
47	241690101	SPRING-CONTROL ROD (S/P)
48	5304404340	BRACKET-CONTROL ROD (S/P)
49	241734501	RAIL ASSY (S/P)
50	5304404334	GUIDE-SOLENOID (S/P)
51	241676301	ROTATION STOP (S/P)
52	241684901	SPACER-FIXED BLADES (S/P)
53	241690402	PIN-SPIRAL,FIXED BLADES (S/P)
54	241685001	NUT-AUGER (S/P)
55	241690306	WASHER (S/P)
56	241690201	E-RING (S/P)
58	5304404331	SCREW-SOLENOID (S/P)
71	241577302	COVER-REAR AUGER (S/P)

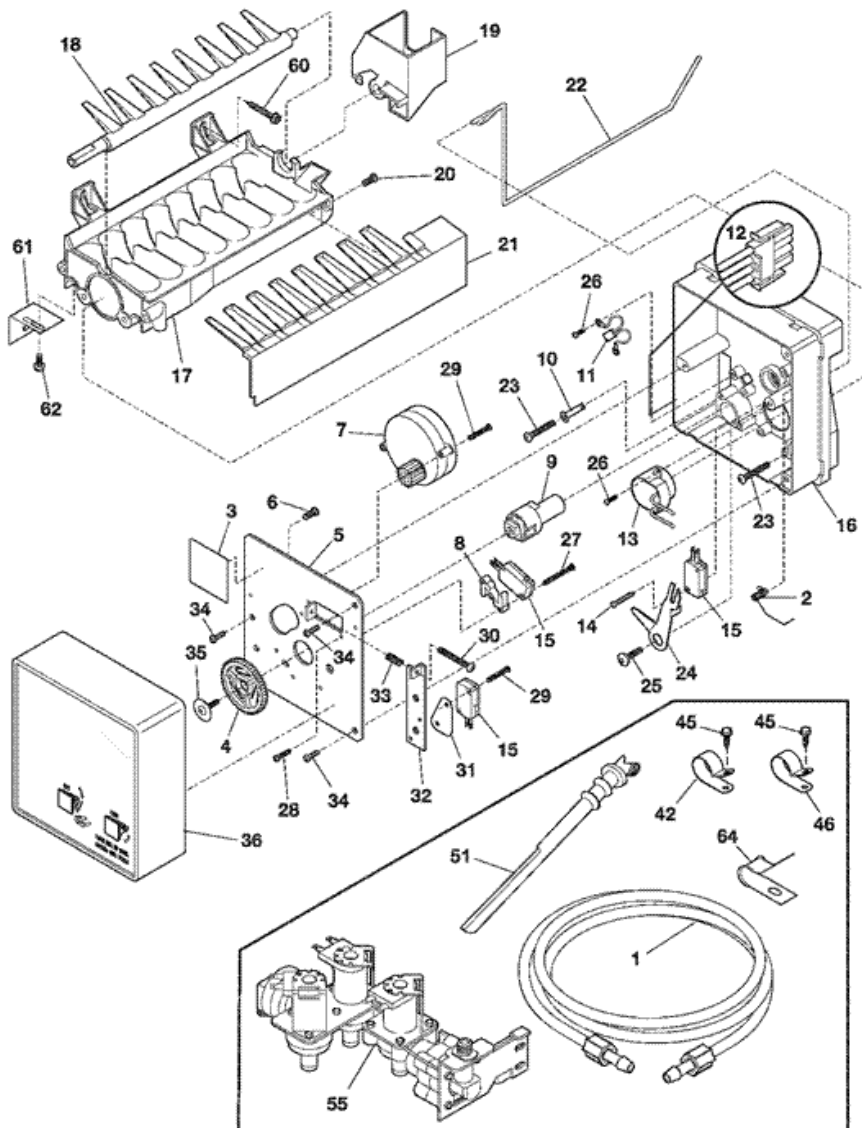
F18	5304462594	MOTOR-AUGER (S/P)
FNI	241578401	WIRING HARNESS,INTERNAL ,WITH PLUG (S/P)
45A	241675901	SPRING-SOLENOID (S/P)
45C	241676101	ACTUATOR-SOLENOID (S/P)
F45	241675701	SOLENOID ASSY (S/P)
NI	5304404364	SCREW-BRACKET (S/P)
45B	241676001	E-RING-SOLENOID (S/P)
45D	241675801	SOLENOID (S/P)
37C	241684103	BLADE,CRUSHER NO.3 (S/P)
35B	241684201	FIXED BLADE,SQUARE (S/P)
37A	5304404348	BLADE,CRUSHER NO.1 (S/P)
NI	240507202	DEFLECTOR-ICE CONTAINER (S/P)
37B	241684102	BLADE,CRUSHER NO.2 (S/P)
35A	241684301	FIXED BLADE,ROUND (S/P)
NI	240323808	ICE CONTAINER ASSY,W/MOVING PARTS (S/P)

Distribuidor Autorizado

SurteRápido.com

Venta de Refacciones  
Electrodomesticas

## FRS6B5EEW1 ICE MAKER





## FRS6B5EEW1 ICE MAKER

1	218976409	TUBE-WATER-DOOR (S/P)
2	5304420650	SPRING,SHUT-OFF ARM (S/P)
3	3206299	LABEL,ID PLATE (S/P)
4	5304456658	GEAR (S/P)
5	3206303	PLATE-MOUNTING (S/P)
6	3206305	SCREW-GROUND WIRE,8-32 X 0.250 (S/P)
8	5304456661	SPACER-HOLD SWITCH (S/P)
9	5304456662	CAM (S/P)
10	3206315	CLAMP (S/P)
14	5304420652	SCREW,4 X 0.750 ,SWITCH MTG. (S/P)
16	5304420653	SUPPORT,PHENOLIC <b>DESCONTINUADO</b>
18	5304456670	EJECTOR-ICE (S/P)
19	3206330	BEARING & INLET <b>DESCONTINUADO</b>
20	5304408581	SCREW,8-32 X 0.375 (S/P)
21	3206332	ICE STRIPPER (S/P)
22	5304456673	SHUT-OFF ARM (S/P)
23	5304408582	SCREW,8-32 X 0.875 ,MOLD-TO-SUPPORT ,(3) (S/P)
24	5304456675	LEVER ARM (S/P)
25	3206336	SCREW,8-18 X 0.562 ,LEVER ARM/SPRT (S/P)
26	5304420654	SCREW-THERMO/SPRT <b>DESCONTINUADO</b>
27	3206338	SCREW,4-40 X 1.000 ,HOLD SWITCH MTG ,(2) (S/P)
28	3206339	SCREW-TIMING STOP,4-40 X 0.375 (S/P)
29	3206323	SCREW,4-24 X 0.750 ,(6) (S/P)
30	3206341	SCREW-TIMING ADJ,8-32 X 1.000 (S/P)
31	5304456680	INSULATOR (S/P)
32	3206343	PLATE-VALVE SWITCH (S/P)
33	5304456682	SPRING-TIMING ADJ (S/P)
34	5304420655	SCREW,PLAZSCREW ,8-10 ,(3) (S/P)
35	5304408585	SCREW (S/P)
36	5304456685	COVER-ICE MAKER (S/P)
42	5303001199	CLAMP-WIRING HARNESS,STRAIN RELIEF (S/P)
45	5308016566	SCREW,HEX WASHER HEAD ,8-15A X 0.625
46	5303001193	CLAMP, .50 ID ,STEEL ,WATER TUBE (S/P)

51	241796401	TUBE-WATER,ICE MOLD FILL ,EXTENSION <b>(S/P)</b>
60	5303207328	SCREW,HEX WASHER HEAD ,8-15A X 1.000 ,(2) <b>(S/P)</b>
61	218721500	BRACKET-LEVELING,ICE MAKER <b>(S/P)</b>
62	218737900	SCREW-IM BRKT MTG,HEX WASHER HEAD <b>(S/P)</b>
64	5304455846	CLAMP,0.31 ID ,STEEL ,COPPER WTR LINE <b>(S/P)</b>
F12	241578401	WIRING HARNESS,INTERNAL ,WITH PLUG <b>(S/P)</b>
F17	5303320545	MOLD-ICE MAKER,RADIUS CUBE ,WITH HEATER <b>(S/P)</b>
NI	5308000133	CLAMP,NYLON ,.625 ID <b>(S/P)</b>
NI	218888001	ADAPTER-WATER SUPPLY, <b>(S/P)</b>
NI	218976901	TUBE-WATER INLET,INLET VALVE <b>(S/P)</b>
NI	218976904	TUBE-WATER INLET,VALVE TO FILTER <b>(S/P)</b>
NI	240542901	CAP-WATER VALVE <b>(S/P)</b>
NI	240561701	SEAL-WATER INLET,INLET VALVE <b>(S/P)</b>
NI	218976907	TUBE-WATER INLET,VALVE TO DOOR <b>(S/P)</b>
NI	240352409	ICE MAKER,RADIUS CUBE ,115 V ,NO INSTL PARTS
NI	240363601	SCREW-SHOULDER <b>(S/P)</b>
F55	241734301	VALVE-WATER,TRIPLE SOLENOID
NI	218515402	CLIP,(2) ,TUBE MTG. <b>(S/P)</b>
NI	218709100	SCREW,HEX HEAD ,10-32 X 0.500 <b>(S/P)</b>
F11	3206319	THERMAL CUTOFF,ICE MAKER <b>(S/P)</b>
F13	3206322	THERMOSTAT ASSY,ICE MAKER <b>(S/P)</b>
F15	5304456667	SWITCH,(3) <b>(S/P)</b>
F7	3206306	MOTOR-ICE MAKER <b>(S/P)</b>
NI	5303001343	SCREW,HEX WASHER HEAD <b>(S/P)</b>