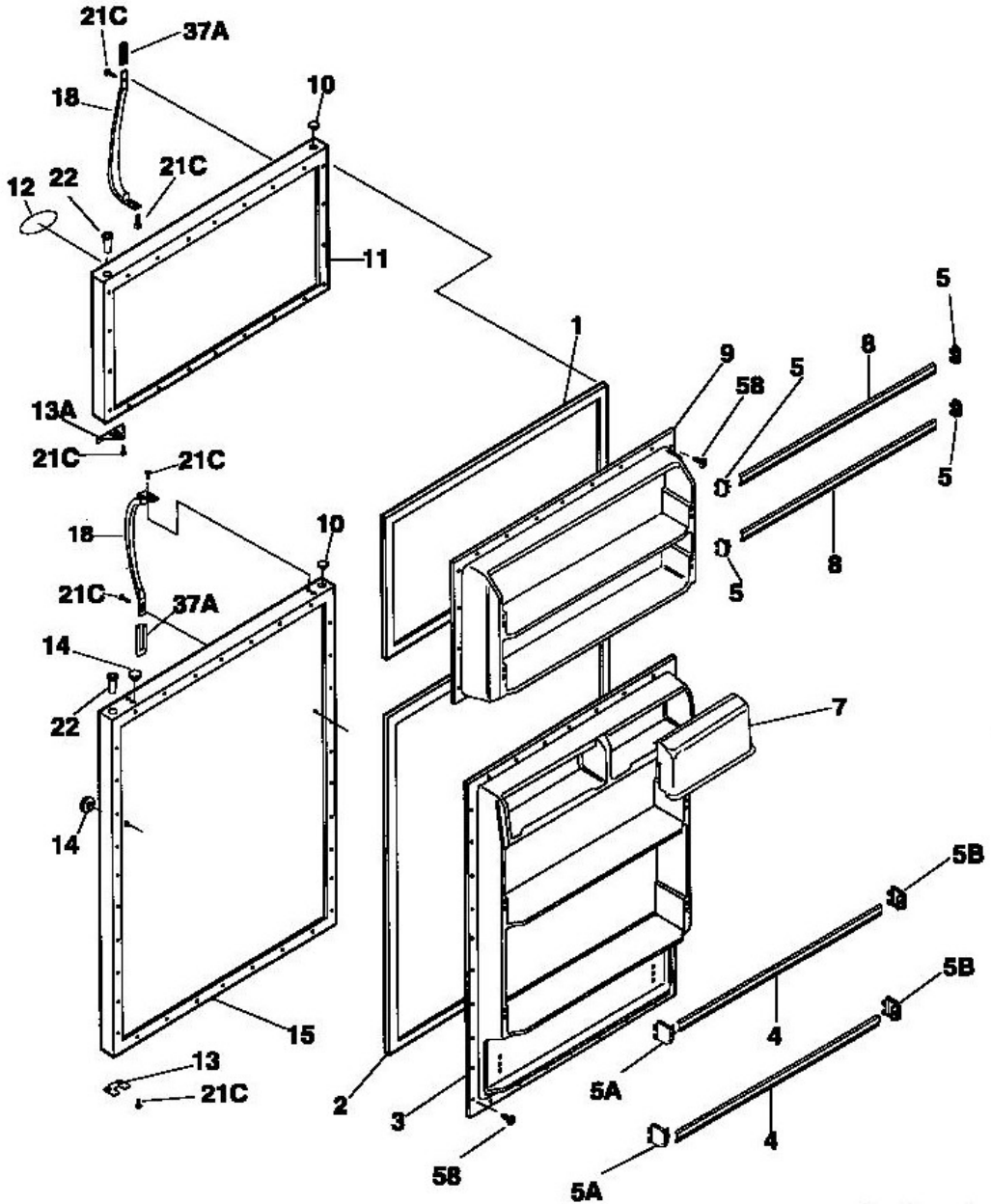


Distribuidor Autorizado

SurteRápido.com

Venta de Refacciones
Electrodomesticas

Refrigerador Frigidaire FRT16NRGW6



P05D0573

Distribuidor Autorizado

SurteRápido.com

Venta de Refacciones
Electrodomesticas



Refrigerador Frigidaire FRT16NRGW6

GUÍA	NÚMERO	DESCRIPCIÓN
*78800	218364001	FRAME-NAMEPLATE, WHITE
*78802	215518000	MAGNET-NAMEPLATE
*78803	5303917276	INSULATION-DOOR, FIBERGLASS, (BULK)
1	5308007123	GASKET-FRZR DOOR, WHITE, MAGNETIC
2	5318680311	GASKET-REFR DOOR, WHITE, MAGNETIC
3	218359001	PANEL-INNER DOOR, REFR
4	218763611	RACK-DOOR,19.20`` X 2.04``
5	218758601	SUPPORT-DOOR RACK, RH/LH
5	218809701	SUPPORT-DOOR RACK, LH
5	218809801	SUPPORT-DOOR RACK, RH
7	218287906	DOOR-DAIRY,10.71`` WIDE ,CLEAR
8	218763612	RACK-DOOR,20.66`` X 2.04``
9	218358801	PANEL-INNER DOOR, FRZR
10	5308000134	PLUG-BUTTON, WHITE, HINGE BRG HOLE
11	5303917802	PANEL-FRZR DOOR, WHITE, W/INSULATION
12	215008607	LABEL-NAMEPLATE,WHITE
13	218249001	DOOR STOP, WHITE, FRZR SECTION
13	218800300	DOOR STOP,PLATED
14	218915701	PLUG-BUTTON, WHITE
15	5303917801	PANEL-REFR DOOR, WHITE, W/INSUL
18	218668001	HANDLE-DOOR, WHITE
21	218252200	SCREW,8 TRUSS HD ,10-32CA X 0.500
22	218519300	BEARING-HINGE
37	215870619	TRIM-HANDLE, 2.47``, WHITE, W/CHROME
58	218781100	SCREW,PAN HEAD ,8-18 X 0.625

Distribuidor Autorizado

SurteRápido.com

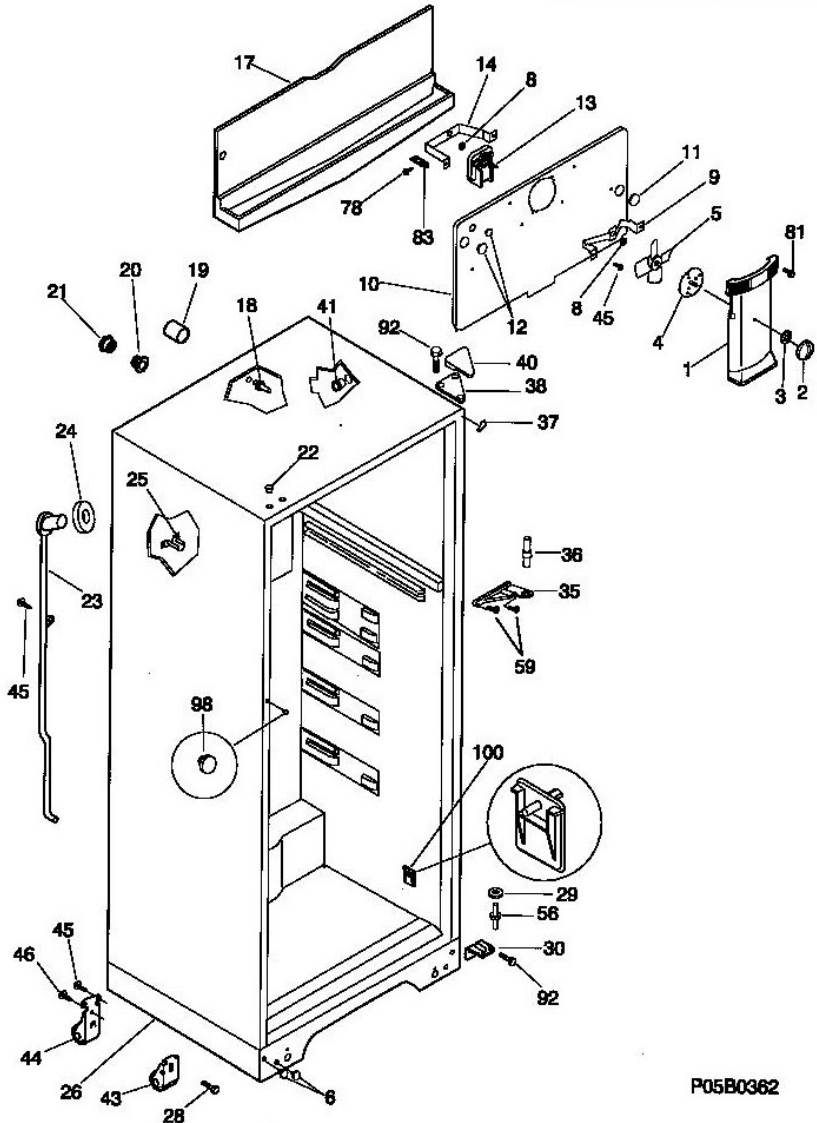
Venta de Refacciones
Electrodomesticas

Refrigerador Frigidaire FRT16NRGW6

Publication No.
6995339016

FRT16NRG

CABINET



P05B0362

Distribuidor Autorizado

SurteRápido.com

Venta de Refacciones
Electrodomesticas



Refrigerador Frigidaire FRT16NRGW6

GUÍA	NÚMERO	DESCRIPCIÓN
*78804	5303209814	NUT, ``U`` TYPE ,8-15(A) ,FAN MTR MTG
*78805	218605200	TAPPING PLATE/GUSSET,RH
*78806	218605300	TAPPING PLATE/GUSSET,LH
*78807	5308009759	GROMMET,SHELF MTG ,LS
*78808	5308000039	SCREW
*78809	5303305324	PAINT, TOUCH-UP, WHITE
*78811	5308016571	PLUG-BUTTON,CAB LINER HOLES
1	218672501	COVER-FAN
2	5303307351	KNOB, DAMPER CONTROL
3	5303001028	Nut,push-on
4	218722200	DAMPER-FAN COVER, BLACK
5	218649000	FAN BLADE, BLACK
6	5303001388	PLUG-BUTTON, WHITE
8	5300157666	BUSHING - MOTOR MTG, (2)
9	5303205118	BRACKET-MOTOR MTG, FRONT
10	218829701	COVER-EVAP COIL
11	5303208309	PLUG-HOLE, FACTORY TEST
12A	215079000	PLUG-HARNESS HOLE, ROUND
12B	215079100	PLUG-WTR INLET TUBE, ROUND
13	218878701	MOTOR-EVAP FAN
14	5303322992	BRACKET-MOTOR MTG, REAR
17	218725602	TROUGH-DRAIN
18	215245000	SUPPORT - EVAP COVER, (2)
19	5303001198	TUBE-RUBBER
20	5303001286	FERRULE-INNER
21	5303001287	FERRULE-OUTER
22	215774901	Plug-button,white ,upr hinge holes
23	5303210377	TUBE-DRAIN, W/SEAL RING
24	5303207353	SEAL RING, DRAIN TUBE
25	215774100	SPOUT-DRAIN TUBE, W/MOUNTING PINS
26	218605001	BASE-CABINET, WHITE
28	5303271412	BOLT-ROLLER ADJ,HEX HD SEMS
29	218875801	WASHER,NYLON ,0.245 ID W/NIBS

Distribuidor Autorizado

SurteRápido.com

Venta de Refacciones
Electrodomesticas



Refrigerador Frigidaire FRT16NRGW6

GUÍA	NÚMERO	DESCRIPCIÓN
30	218220203	BRACKET-LOWER HINGE,ZINC CHROMATE
35	218220101	BRACKET-CTR HINGE, LIGHT GRAY
36	218251300	PIN-CENTER HINGE
37	5303321081	TRIM-CABINET CORNER, WHITE
38	3206100	BRACKET-UPPER HINGE
40	3206101	COVER-UPPER HINGE, WHITE
41	5303001609	GROMMET,SHELF/ROD MTG ,RS
43	218703001	ROLLER ASSY,FRONT ,(2)
44	218713600	ROLLER ASSY,REAR ,(2)
45	5303001343	SCREW
46	5308009762	BOLT-ROLLER MTG,HEX WSHR HD
56	218220300	PIN-LOWER HINGE
59	218188000	SCREW,PAN HD ,10-32 X 0.625
78	5303274237	SCREW-BRACKET, HEX WASHER HEAD
81	5308016566	SCREW
83	5308000107	BRACKET-CONNECTOR
92	5303001479	SCREW
98	215099701	PLUG-BUTTON,WHITE
100	5303288973	SUPPORT-PAN COVER

Distribuidor Autorizado

SurteRápido.com

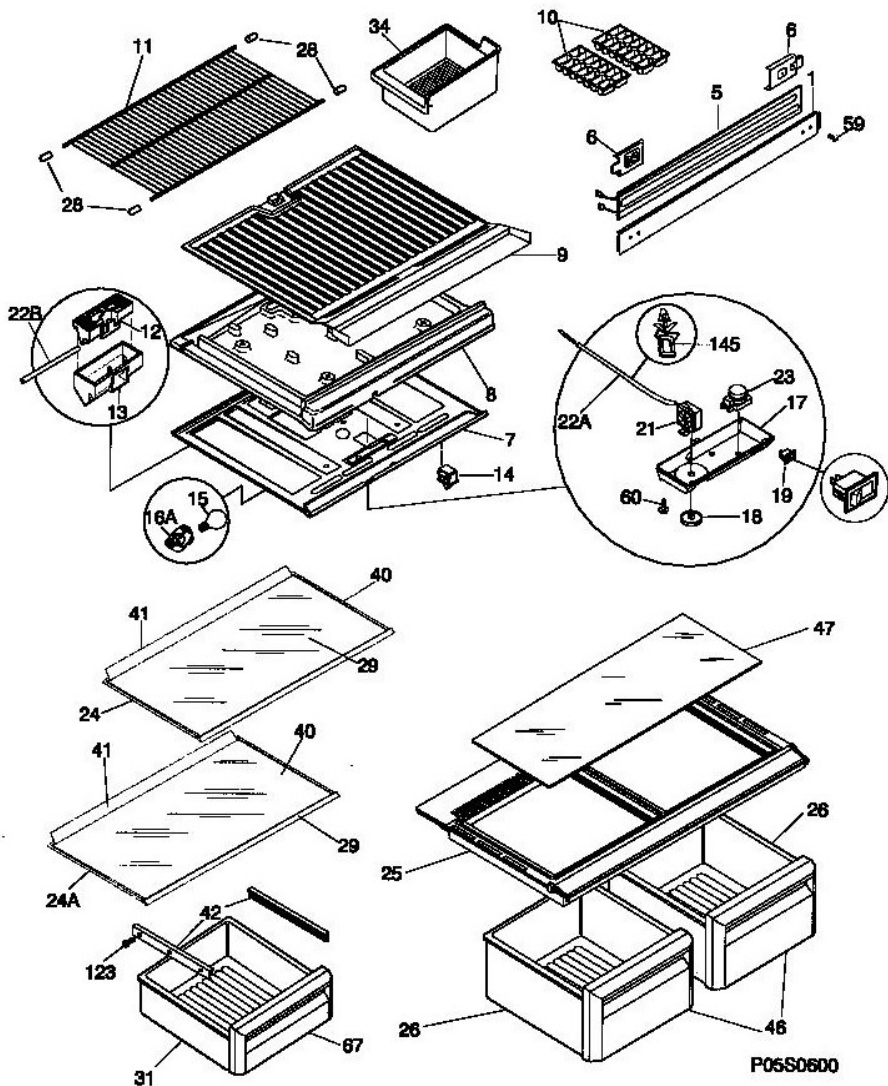
Venta de Refacciones
Electrodomesticas

Refrigerador Frigidaire FRT16NRGW6

Publication No.
5995336016

FRT16NRG

SHELVES



P05S0600

Distribuidor Autorizado

SurteRápido.com

Venta de Refacciones
Electrodomesticas



Refrigerador Frigidaire FRT16NRGW6

GUÍA	NÚMERO	DESCRIPCIÓN
*78812	5303001380	SCREW
*78813	218878500	WIRING HARNESS,CONTROL/DIVIDER
*78814	5303299664	SPACER-SHELF
*78815	5308016567	NUT-ANCHOR
*78816	5303001260	SCREW
*78817	5303001259	SCREW
1	218651800	MULLION, WHITE
5	218781004	HEATER-MULLION
6	218845602	TAPPING PLATE,MULLION MTG
7	218865801	PANEL-TOP,REFR CAVITY
8	218909705	DIVIDER,STYROFOAM ,W/FOIL TAPE
9	218865600	PANEL-BOTTOM,FRZR CAVITY
10	215667501	TRAY-ICE,PLASTIC (OPTIIONAL ACCESSORY)
11	5303283107	SHELF-FREEZER, FIXED/FLAT, FULL WIDTH
12	218730000	DEFLECTOR-AIR
13	218631001	COVER-AIR DEFLECTOR
14	5309918806	SWITCH-LIGHT/LAMP
15	5303001179	Light Bulb/Lamp,40 W
16	218906801	SOCKET-LIGHT/LAMP
17	5304414816	CONTROL BOX
18	5303311079	KNOB-TEMP CONTROL
19	5303286905	SWITCH-ENERGY SAVER, ROCKER TYPE
21	5303321453	CONTROL-TEMPERATURE
22	218731104	TUBE, PVC, WHITE, @ AIR DEFLECTOR
22	5303916855	TUBE,SENSOR SLEEVE ,PLASTIC ,CLEAR
23	215846605	TIMER-DEFROST,60 HZ ,120 V ,10 HOUR/21
24	218276001	FRAME-SHELF, SLIDING, FULL WIDTH
24	218276002	FRAME-SHELF, SLIDING, FULL WIDTH
25	218314102	COVER-CRISPER PAN, WITH BEAM
26	3206180	PAN - CRISPER
28	3201150	END CAP-SHELF,PROTECTOR ,FRZR SHELF
29	215919442	TRIM-GLASS SHELF,22.00`` ,FRONT

Distribuidor Autorizado

Surte Rápido.com

Venta de Refacciones
Electrodomesticas



Refrigerador Frigidaire FRT16NRGW6

GUÍA	NÚMERO	DESCRIPCIÓN
31	3206209	PAN-MEAT
34	5303212918	CONTAINER-ICE
40	218390578	GLASS-SHELF,22.00`` X 13.94``
41	215919839	TRIM-GLASS SHELF, 21.88`` REAR
42A	5303305309	HANGER-MEAT PAN, LH
42B	5303305310	HANGER-MEAT PAN, RH
46	215357408	FRONT-CRISPER PAN
47	218390576	INSERT-PAN COVER, GLASS
59	218188000	SCREW,PAN HD ,10-32 X 0.625
60	218362500	SCREW,HEX WASHER HEAD ,8-18AB X 1.250
67	215359805	FRONT-MEAT PAN
123	215005100	Screw-roller/hanger`8-10 x 0.438
145	218660800	CLIP, PLASTIC, TEMP SENSOR MTG, SNAP-IN

Distribuidor Autorizado

SurteRápido.com

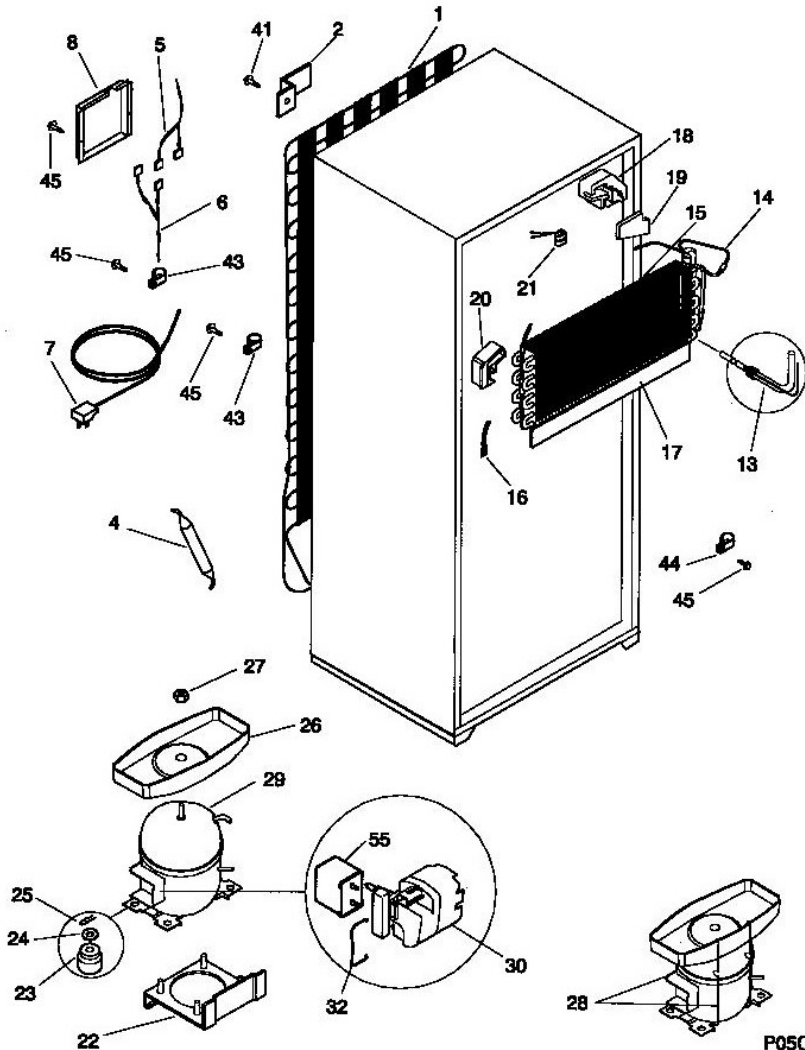
Venta de Refacciones
Electrodomesticas

Refrigerador Frigidaire FRT16NRGW6

Publication No.
5995339016

FRT16NRG

SYSTEM



P05C0101

Distribuidor Autorizado

SurteRápido.com

Venta de Refacciones
Electrodomesticas



Refrigerador Frigidaire FRT16NRGW6

GUÍA	NÚMERO	DESCRIPCIÓN
*78818	5303208866	SPACER-COND TUBE,BLACK
*78819	5304406721	SPACER-COND TUBE,ROUND ,5/8 OD X .81``LG
*78820	5308009617	Washer,ext tooth lock ,No.10 ,grounding
*78821	5308003607	WASHER, NO. 10 STEEL, 7/32 X 7/16 OD
*78822	5308017610	SOUND TAPE,DEFROST PAN
*78823	218843800	SCREW,HEX WSHR HD ,8-15A X 0.50
*78824	5300189383	HOT TUBE REPAIR KIT-SERVICE
1	218491000	CONDENSER
2	5308000296	Bracket,condenser mtg ,(4)
4	218944001	Drier-filter,R134a System
5	218878500	WIRING HARNESS,CONTROL/DIVIDER
6	215257001	WIRING HARNESS,COMPRESSOR
7	5316254901	CORD-ELECTRIC POWER
8	5303001197	COVER-WIRING
13	215076403	HEAT EXCHANGER,SUCTION LINE
14	5308009754	HEATER-DEFROST
15	218818701	EVAPORATOR
16	5308000110	STRAP-EVAP/HEATER,ALUMINUM ,(2)
17	5316651102	INSULATOR-EVAP, PLASTIC
18	218821301	INSULATION BLOCK,RH
19	5303007287	INSULATION PLUG, RH
20	218821201	INSULATION BLOCK,LH
21	218969902	THERMOSTAT-DEFROST
22	5308013663	PLATE-COMPR MTG
23	218254500	GROMMET-COMPR MTG, (4)
24	5308003633	WASHER-COMPR MTG
25	5308003596	CLIP - COMPRESSOR MTG
26	215372500	PAN, DEFROST DRAIN
27	5303001348	Nut,lock `1/4-20 ,drain pan mtg
28	5303916001	PAN RETAINER KIT, SERVICE
29	218846902	COMPRESSOR,R134A ,W/O ELECTRICALS
30	218721103	STARTER/OVERLOAD ASSY

Distribuidor Autorizado

SurteRápido.com

Venta de Refacciones
Electrodomesticas



Refrigerador Frigidaire FRT16NRGW6

GUÍA	NÚMERO	DESCRIPCIÓN
32	218740800	Clamp,elec cont mtg ,compressor
41	5308000039	SCREW
43	5303001199	CLAMP
44	5308000133	CLAMP, NYLON
45	5303001343	SCREW
55	218909901	Capacitor-run,220 VAC ,15 microfarad