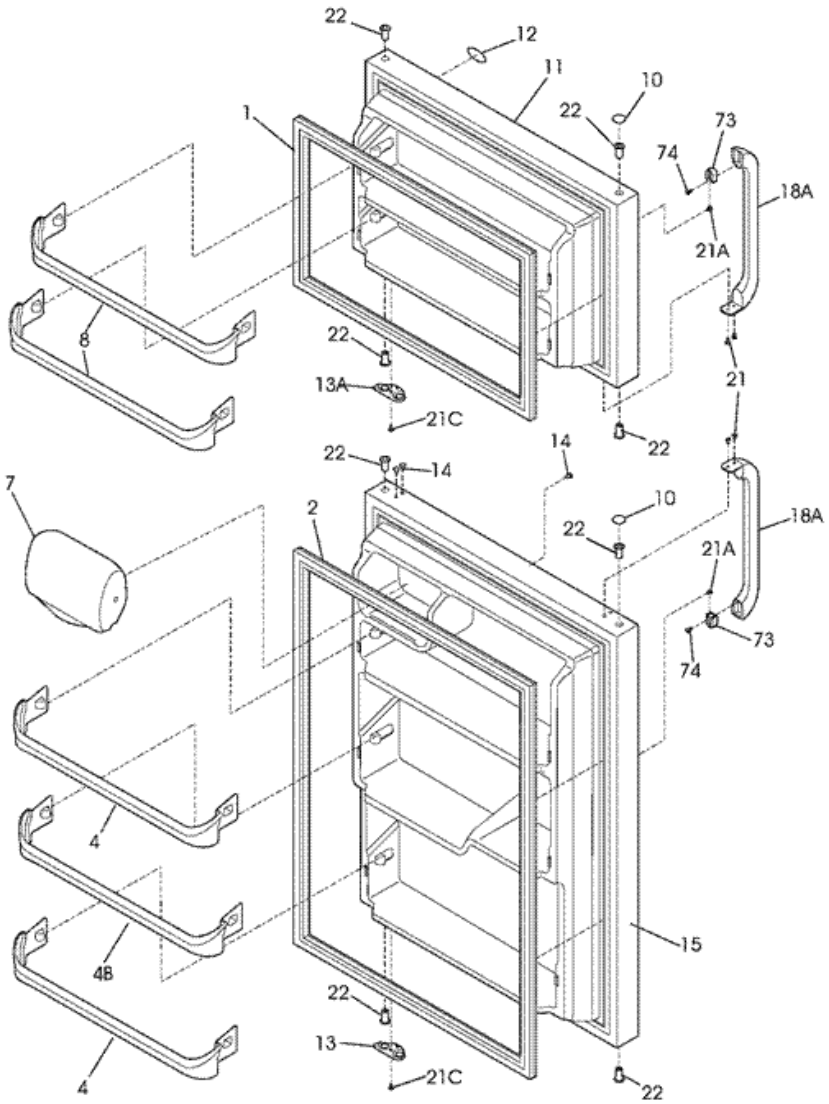


FRT18HB5DW0 DOOR





FRT18HB5DW0 DOOR

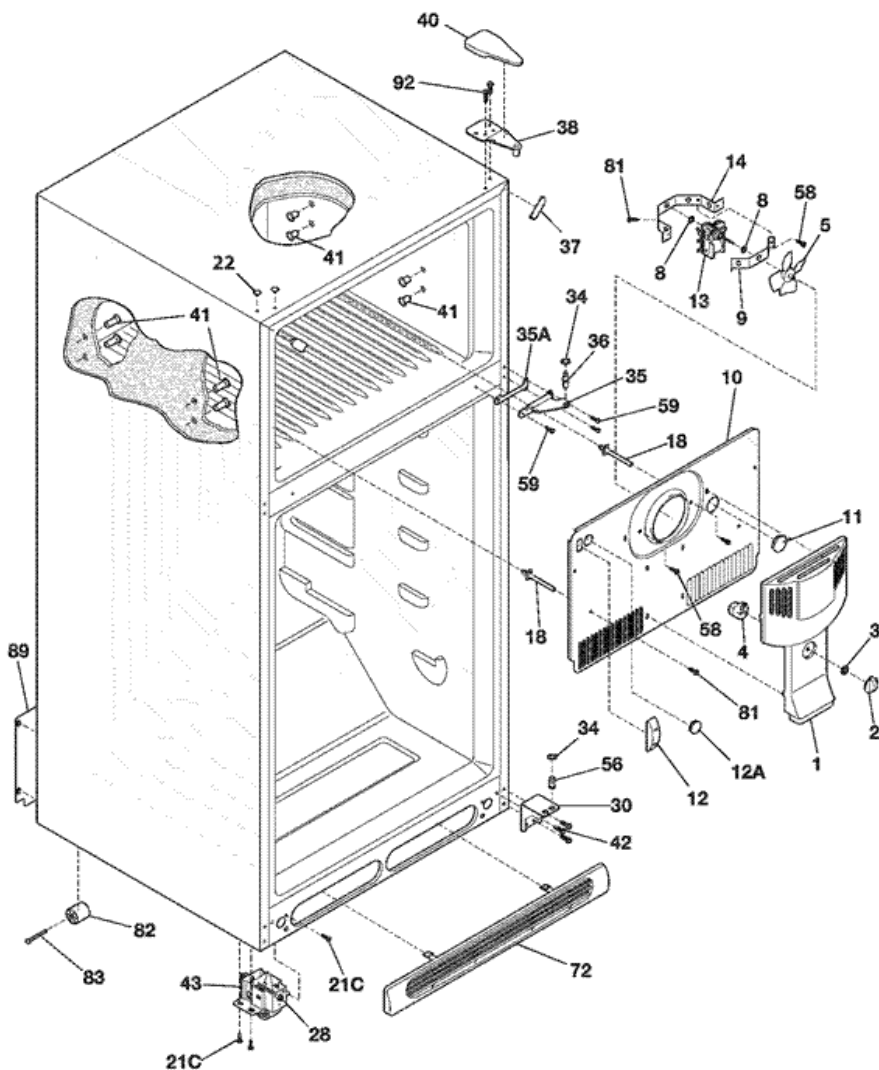
1	240542103	GASKET-FRZR DOOR,WHITE ,MAGNETIC
13A	240312404	DOOR STOP,WHITE ,FRZR
2	240542106	GASKET-REFR DOOR,WHITE ,MAGNETIC
4	240534901	RACK-DOOR
7	240337701	DOOR-DAIRY,W/O GRAPHICS ,WHITE
8	240534801	RACK-DOOR
10	240381301	PLUG-BUTTON,WHITE ,HINGE BRG HOLE ,(2)
11	240410201	DOOR-FRZR,WHITE ,COMPLETE ASSY
12	240415201	LABEL-NAMEPLATE,WHITE
13	240312403	DOOR STOP,WHITE ,REF
14	240494001	PLUG-BUTTON,WHITE
15	240410301	DOOR-REFR,WHITE ,COMPLETE ASSY
18A	218428101	HANDLE-DOOR, WHITE, W/BLOCK & SCREW
21	240383401	SCREW,TRUSS HD QUAD ,NO.10-16 X .500
21A	240521301	SCREW,NO.10-16 X 1/2
21C	218252200	SCREW,NO.8 TRUSS HD ,10-32CA X 0.500
22	240527101	BEARING-HINGE,NATURAL COLOR
4B	240534701	RACK-DOOR,4B
73	218396700	BLOCK-HANDLE MTG, DOVETAIL
74	215503200	SCREW,CR PAN HD `10-16 X 0.500

Distribuidor Autorizado

SurteRápido.com

Venta de Refacciones
Electrodomesticas

FRT18HB5DW0 CABINET



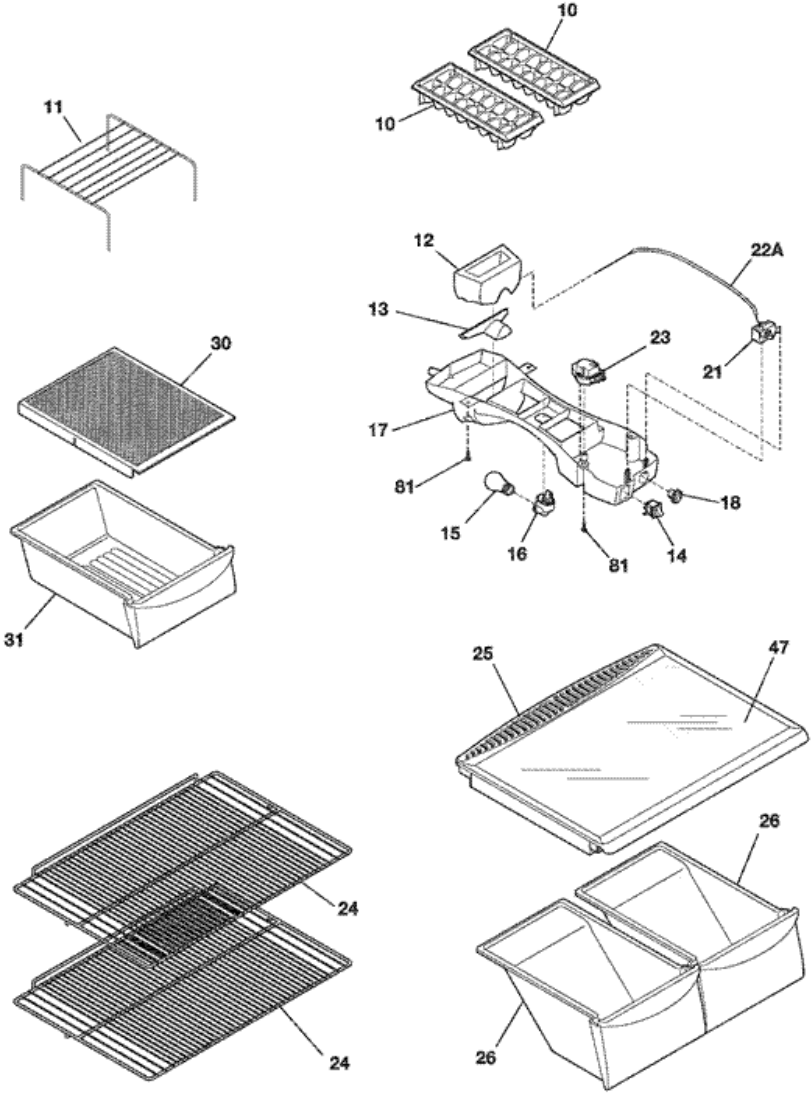


FRT18HB5DW0 CABINET

1	240355401	COVER-FAN
2	240367001	KNOB-DAMPER CONTROL
3	5303001028	NUT,PUSH-ON
4	241523701	DAMPER-FAN COVER
8	5300157666	BUSHING - MOTOR MTG, (2)
9	5303292396	BRACKET-MOTOR MTG,FRONT
10	240462010	COVER-EVAP COIL
11	5303208309	PLUG-HOLE, FACTORY TEST
12	240366801	PLUG-ICE MAKER HARNESS,RECTANGULAR
12A	240374401	PLUG-WTR INLET TUBE,ROUND ,1`
14	5303292397	BRACKET-MOTOR MTG,REAR
18	240411901	SUPPORT-EVAP COVER,(2)
21C	218252200	SCREW,NO.8 TRUSS HD ,10-32CA X 0.500
22	215774901	PLUG-BUTTON,WHITE ,UPR HINGE HOLES
28	240335501	BOLT-ROLLER ADJ,HEX WASHER HEAD ,
30	240314002	BRACKET-LOWER HINGE,WHITE
34	240311303	WASHER,HINGE ,NYLON ,(2)
35	240313802	BRACKET-CTR HINGE,WHITE
35A	240336802	SPACER-HINGE,CENTER
36	240516401	PIN-CENTER HINGE
37	240337601	TRIM-CABINET CORNER,WHITE ,(2)
38	240313701	BRACKET-UPPER HINGE
40	240354401	COVER-UPPER HINGE,WHITE
41	5303001609	GROMMET,SHELF MTG ,0.69` ,RH
42	240578901	SCREW-HINGE MTG,HEX HEAD ,1/4-20 X 5/8
43	240335003	ROLLER ASSY, FRONT - IF FIXED ROLLERS
56	240516501	PIN-LOWER HINGE
58	5303001343	SCREW
59	240442702	SCREW-NO.10-32 X 3/4,WHITE
72	240368205	GRILLE/KICKPLATE,WHITE
81	5308016566	SCREW
82	5304418225	ROLLER,COMPRESSOR BASE ,REAR ,(2)
83	5303316859	RIVET,FLAT HEAD ,1/4 OD X 1-3/4 ,ROLLER PIN

89	240326115	COVER-ACCESS,WITH LABEL
92	5303001479	SCREW
F13	240369701	MOTOR-EVAP FAN
F5	5308000010	FAN BLADE,RED ,EVAPORATOR FAN
NI	215474201	WASHER,``SLINGER`` ,NYLON ,EVAP FAN SHAFT
NI	218843800	SCREW,HEX WSHR HD ,8-15A X 0.500
NI	218931001	CLAMP-MOTOR WIRING,NYLON ,W/ADHESIVE TAPE
NI	240433201	SCREW,HEX WASHER HEAD ,8-18 X 0.375
NI	240479601	PLUG,BUTTON ,CAB LINER HOLES ,(2)
NI	240568601	SEAL-COIL COVER
NI	241500302	SCREW,HEX WASHER HEAD ,8-18AB X 0.625
NI	241520701	HARNESS-WIRING
NI	5303305324	PAINT, TOUCH-UP, WHITE
NI	5308009759	GROMMET,SHELF MTG ,1.25`` ,LH

FRT18HB5DW0 SHELVES





FRT18HB5DW0 SHELVES

10	215667501	TRAY,ICE CUBE ,PLASTIC
11	5303282284	SHELF-FREEZER,``TABLE TYPE``
12	240545001	DIFFUSER,AIR ,TOP
13	240362601	DIFFUSER-AIR,BOTTOM
15	241555401	LIGHT BULB
16	241559801	SOCKET-LIGHT
17	240352701	CONTROL BOX
18	240360801	KNOB-TEMP CONTROL
22A	240468201	TUBE,SENSOR SLEEVE ,31 INCH ,PLASTIC ,WHITE
24	240360905	SHELF,SLIDING ,WIRE
25	240364701	COVER-CRISPER PAN,W/ BEAM ,LESS INSERT
26	240337101	PAN-CRISPER,WHITE ,(2) ,NO GRAPHICS
30	240361801	COVER,MEAT PAN HANGER ,DROP THROUGH
31	240530801	PAN-MEAT,W/O GRAPHICS ,WHITE
47	240350608	INSERT-PAN COVER,23.82`` X 15.50`` ,GLASS
81	5308016566	SCREW
F14	241554901	SWITCH-LIGHT/LAMP
F21	5304421256	CONTROL-TEMPERATURE
F23	240371001	TIMER-DEFROST
NI	240388701	WIRING HARNESS,CONTROL BOX
NI	5303001259	SCREW



FRT18HB5DW0 SYSTEM

26	240332605	PAN-DEFROST DRAIN
32	241527901	CLAMP,ELEC CONT MTG ,COMPRESSOR
34	240405201	GROMMET,RUBBER ,BLACK ,COND TUBE/WIRE
41	240433202	SCREW,HEX WASHER HEAD ,8-18 X 5/16
44	5303001199	CLAMP
45	5308016566	SCREW
55	218909915	CAPACITOR-RUN,220 VAC ,15 MICROFARAD
57	240542601	CLIP-WIRING HARNESS
58	218897002	SCREW,HEX WASHER HEAD ,8-32 X 0.375
59	5304430246	BRACKET-COND MOTOR ASSY
82	5304418225	ROLLER,COMPRESSOR BASE ,REAR ,(2)
83	5303316859	RIVET,FLAT HEAD ,1/4 OD X 1-3/4 ,ROLLER PIN
84	240500801	TUBE-DRAIN,RUBBER ,LOWER
85	240553501	TUBE-CONNECTOR,SUCTION
F1	240444401	CONDENSER,DYNAMIC
F14	5303918208	DEFROST HEATER KIT
F15	5303918274	EVAPORATOR KIT
F21	5303918202	THERMOSTAT-DEFROST,KIT
F29	5303918299	COMPRESSOR,W/ELECTRICALS
F30	241527802	STARTER
F4	218944001	DRIER-FILTER,R134A SYSTEM
F6	240496101	WIRING HARNESS,MACHINE COMPT
F60	240525401	MOTOR-CONDENSER FAN
F61	240524101	FAN BLADE,GALV STEEL ,CONDENSER FAN
NI	218252200	SCREW,NO.8 TRUSS HD ,10-32CA X 0.500
NI	240346701	TAPE-FOAM SEAL,SHROUD
NI	240359401	SCREW-FAN SHROUD,(2)
NI	240388701	WIRING HARNESS,CONTROL BOX
NI	240396801	CLAMP,TUBE/WIRING ,NYLON ,BLACK/NATURAL
NI	241520701	HARNESS-WIRING
NI	5303918222	HOT TUBE REPAIR KIT,SERVICE
NI	5303918263	HEAT EXCHANGER KIT,SUCTION LINE