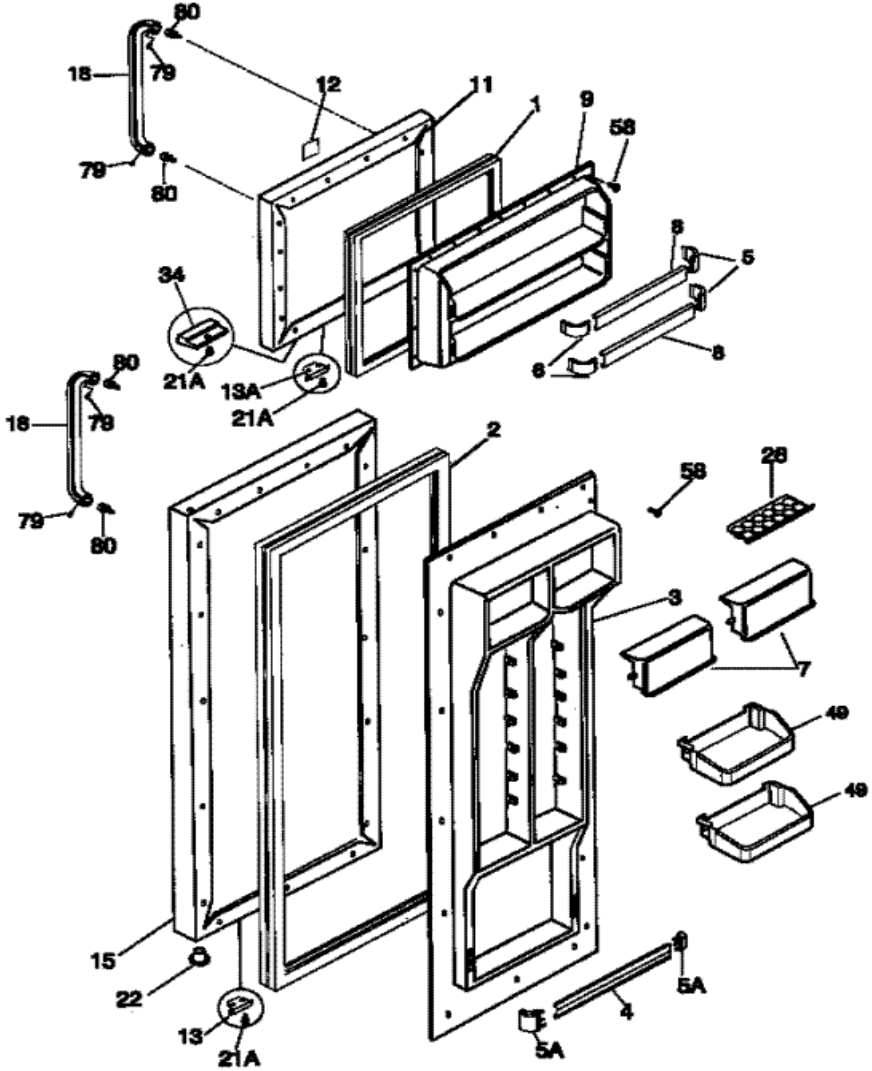


Distribuidor Autorizado

SurteRápido.com

Venta de Refacciones  
Electrodomesticas

## FRT22IRSHB0 PUERTA





## FRT22IRSHB0 PUERTA

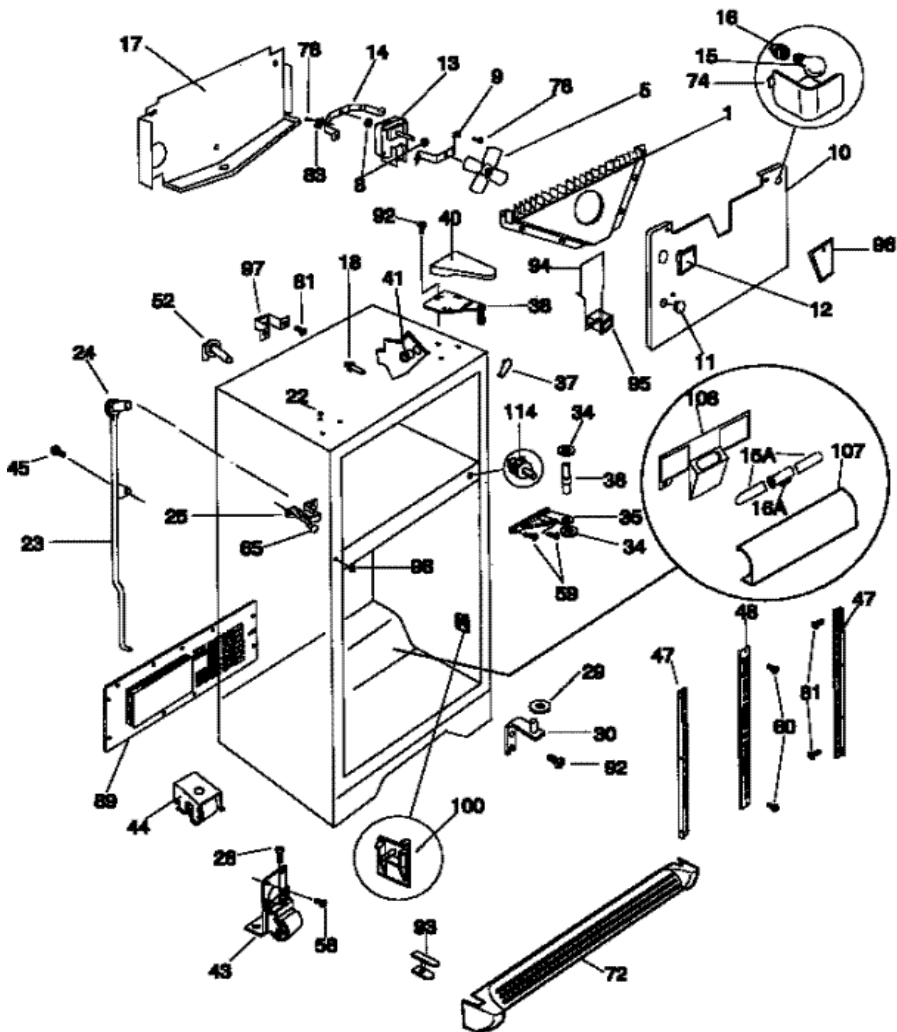
1	5303299062	GASKET-FRZR DOOR,BLACK ,MAGNETIC <b>(S/P)</b>
2	218730616	GASKET-REFR DOOR,BLACK ,MAGNETIC <b>(S/P)</b>
3	215784001	<b>DESCONTINUADO</b>
4	215516220	RACK-DOOR <b>(S/P)</b>
5	218758602	SUPPORT-DOOR RACK,RH/LH
5	218809801	SUPPORT-DOOR RACK,RH <b>(S/P)</b>
6	218809701	SUPPORT-DOOR RACK,LH
7	5303308341	DOOR-DAIRY <b>(S/P)</b>
8	215516220	RACK-DOOR <b>(S/P)</b>
9	215278301	<b>DESCONTINUADO</b>
11	218626248	PANEL-EXT FRZR DOOR,STAINLESS , <b>(S/P)</b>
12	218395401	NAMEPLATE,BLACK <b>(S/P)</b>
13	5303289522	DOOR STOP <b>(S/P)</b>
13	215030018	DOOR STOP,BLACK ,FRZR <b>(S/P)</b>
15	218626147	<b>DESCONTINUADO</b>
18	218756502	HANDLE-DOOR,STAINLESS STEEL ,WITH INSERT, <b>(S/P)</b>
21	218578600	SCREW-DOOR <b>(S/P)</b>
22	5303289320	BEARING-HINGE <b>(S/P)</b>
26	215817806	TRAY-EGG <b>(S/P)</b>
34	218783202	BUMPER-LIGHT SWITCH,BLACK <b>(S/P)</b>
49	215441502	BIN-DOOR,GALLON ,WITH TRIM <b>(S/P)</b>
58	218781100	SCREW,PAN HEAD ,8-18 X 0.625 <b>(S/P)</b>
79	218755401	SCREW-SET,10-32 X 0.375 <b>(S/P)</b>
80	218755501	SCREW-SHOULDER,10 AB ,HANDLE MOUNTING <b>(S/P)</b>

Distribuidor Autorizado

SurteRápido.com

Venta de Refacciones  
Electrodomesticas

# FRT22IRSHB0 GABINETE





**FRT22IRSHB0 GABINETE**

1	215937600	SHROUD-EVAP FAN MTG (S/P)
5	5303292398	FAN BLADE (S/P)
8	5300157666	BUSHING-MOTOR MTG,(2) (S/P)
9	5303292396	BRACKET-MOTOR MTG,FRONT (S/P)
10	5304405085	COVER-EVAP COIL (S/P)
11	5303208309	PLUG-HOLE,FACTORY TEST (S/P)
12	5303001147	PLUG-HARNESS HOLEOPTIONAL (S/P)
13	5300158289	MOTOR-EVAP FAN
14	5303292397	BRACKET-MOTOR MTG,REAR (S/P)
15	218708700	LIGHT BULB/LAMP,CRISPER LIGHT ,(2) (S/P)
15	215812200	LIGHT BULB/LAMP,25W (S/P)
16	5308000129	SOCKET-LIGHT/LAMP
16	5303299157	SOCKET-LIGHT/LAMP,CRISPER LIGHT (S/P)
17	5303292408	TROUGH-DRAIN (S/P)
18	215245000	SUPPORT-EVAP COVER,(2) (S/P)
22	215774918	PLUG-BUTTON,BLACK ,UPR HINGE HOLES (S/P)
23	215266301	TUBE-DRAIN,W/SEAL RING (S/P)
24	5303207353	SEAL RING,DRAIN TUBE (S/P)
25	5303292412	SPOUT-DRAIN TUBE (S/P)
28	5303289062	BOLT-ROLLER ADJ,HEX HEAD ,5/16-24 X 7/8 (S/P)
30	218993701	BRACKET-LOWER HINGE,RH ,W/HINGE PIN (S/P)
34	218737000	WASHER-CTR HNGE PIN (S/P)
35	218220103	BRACKET-CTR HINGE,BLACK (S/P)
36	215095900	PIN-CENTER HINGE (S/P)
37	5303321083	TRIM-CABINET CORNER,BLACK (S/P)
38	218215244	BRACKET-UPPER HINGE,WITH CLOSER , (S/P)
40	5303323268	COVER-UPPER HINGE,BLACK (S/P)
41	5303294246	GROMMET-SHELF MTG,1.25` LONG (S/P)
43	218615300	ROLLER ASSY,FRONT ,(2) (S/P)
44	218738300	ROLLER ASSY,REAR ,(2) (S/P)

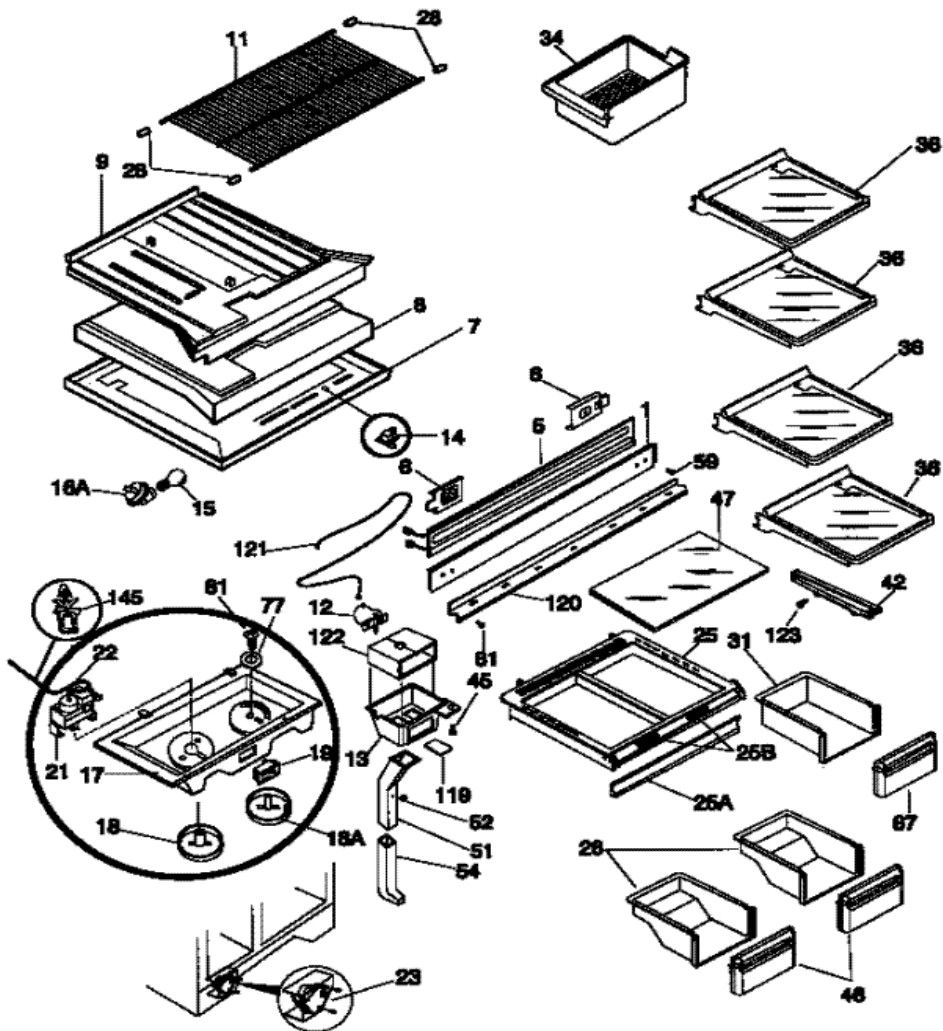
45	5303001343	SCREW,HEX WSHR HD ,8-15A X .5 ,SPEC (S/P)
47	218233300	CHANNEL-SHELF MTG,SIDE ,(2) (S/P)
48	218877701	CHANNEL-SHELF MTG,CENTER (S/P)
52	215454600	TUBE-WATER INLET (S/P)
58	5308002748	SCREW,HEX WSHR HD ,8-15A X 0.500 , (S/P)
59	218188000	SCREW,PAN HD ,10-32 X 0.625 (S/P)
60	218362500	SCREW,HEX WASHER HEAD ,8-18AB X 1.250 (S/P)
65	5303001361	PIN-MOUNTING,PUSH-IN ,PLASTIC (S/P)
72	218359615	GRILLE/KICKPLATE,BLACK (S/P)
74	215423500	SHIELD-LIGHT,FRZR (S/P)
78	5303274237	SCREW-BRACKET,HEX WSHR HD ,8-32CA X 0.500 (S/P)
81	5308016566	SCREW,HEX WSHR HD ,8-15A X 0.625 ,LOW PROFILE
83	5308000107	BRACKET-CONNECTOR (S/P)
89	5303288947	<b>DESCONTINUADO</b>
92	5303001479	SCREW-HINGE MTG,HEX HD ,1/4-20 X 0.875 ,(6) (S/P)
93	218362603	PLUG-GRILLE,BLACK (S/P)
94	5303319993	COVER-AIR DUCT (S/P)
95	218663101	GASKET-AIR DUCT CVR (S/P)
96	215775901	COVER-FAN ACCESS (S/P)
97	5303289299	BRACKET-IM PLUG (S/P)
98	215099718	PLUG-BUTTON,BLACK (S/P)
100	5303288973	SUPPORT-PAN COVER (S/P)
107	218835902	SHIELD-LIGHT,CRISPER (S/P)
108	218834202	COVER-WIRING,CRISPER LIGHT (S/P)
114	5303299156	SWITCH-LIGHT/LAMP,BLACK (S/P)
29A	215003200	WASHER,.40 X .63 X .16 ,NYLON (S/P)
29B	215314301	WASHER,.40 X .75 X .06 ,NYLON (S/P)

Distribuidor Autorizado

SurteRápido.com

Venta de Refacciones  
Electrodomesticas

# FRT22IRSHB0 CAJONES





## FRT22IRSHB0 CAJONES

1	5303299280	MULLION,BLACK (S/P)
5	218752300	HEATER-MULLION (S/P)
6	218845601	TAPPING PLATE,MULLION MTG ,(2) (S/P)
7	218907501	<b>DESCONTINUADO</b>
8	218909707	DIVIDER,STYROFOAM ,W/FOIL TAPE (S/P)
9	215058300	BOTTOM PANEL-FRZR (S/P)
11	5304409141	SHELF-FREEZER,W/TRIM (S/P)
12	218634902	DEFLECTOR-AIR,``PADDLE`` (S/P)
13	218629900	COVER-AIR DEFLECTOR (S/P)
14	5309918806	SWITCH-LIGHT/LAMP (S/P)
15	5303013071	LIGHT BULB/LAMP,40 W (S/P)
16	241513901	SOCKET-LIGHT/LAMP (S/P)
17	215932906	CONTROL BOX (S/P)
18	5304414917	KNOB-TEMP CONTROL,REFR (S/P)
18	5304414918	KNOB-TEMP CONTROL,(DAMPER) (S/P)
19	5303286905	SWITCH-ENERGY SAVER,ROCKER TYPE (S/P)
21	5304405658	CONTROL-TEMPERATURE (S/P)
22	218660701	TUBE,INSULATOR ,PLASTIC (S/P)
23	215846602	TIMER-DEFROST
25	215216652	COVER-CRISPER PAN,WITH BEAM (S/P)
25	5303307715	CONTROL-HUMIDITY (S/P)
25	5303308349	<b>DESCONTINUADO</b>
26	5303292386	PAN-CRISPER,(2) (S/P)
28	215341200	END CAP-SHELF,PROTECTOR (S/P)
31	5303304632	<b>DESCONTINUADO</b>
34	5303212918	<b>DESCONTINUADO</b>
36	215406115	SHELF-``SPILL-SAFE``,FIXED ,TEAL GRAPHICS (S/P)
42	215002301	HANGER-PAN/TRAY,LH (S/P)
45	5303001343	SCREW,HEX WSHR HD ,8-15A X .5 ,SPEC (S/P)
46	218278403	FRONT-CRISPER PAN,(2) (S/P)

47	218390591	INSERT-PAN COVER,GLASS ,TEAL GRAPHICS <b>(S/P)</b>
51	215132801	DUCT-MEAT KEEPER,UPPER <b>(S/P)</b>
52	215132901	CONTROL-DAMPER,MEAT KPR DUCT <b>(S/P)</b>
54	215133100	DUCT-MEAT KEEPER,LOWER <b>(S/P)</b>
59	218188000	SCREW,PAN HD ,10-32 X 0.625 , <b>(S/P)</b>
67	218278701	FRONT-MEAT PAN <b>(S/P)</b>
77	5303001216	WASHER-NYLON,3/16 X 5/8 OD <b>(S/P)</b>
81	5308016566	SCREW,HEX WSHR HD ,8-15A X 0.625 , <b>(S/P)</b>
119	215132700	CAP-AIR DUCT <b>(S/P)</b>
120	218019201	SEAL-REFR TOP <b>(S/P)</b>
123	215005100	SCREW-ROLLER/HANGER,8-10 X .438 <b>(S/P)</b>
145	218660800	<b>DESCONTINUADO</b>
121B	215209400	NUT,PUSH-ON ,DAMPER CABLE <b>(S/P)</b>
121A	215364001	CABLE-DAMPER CONTRL <b>(S/P)</b>

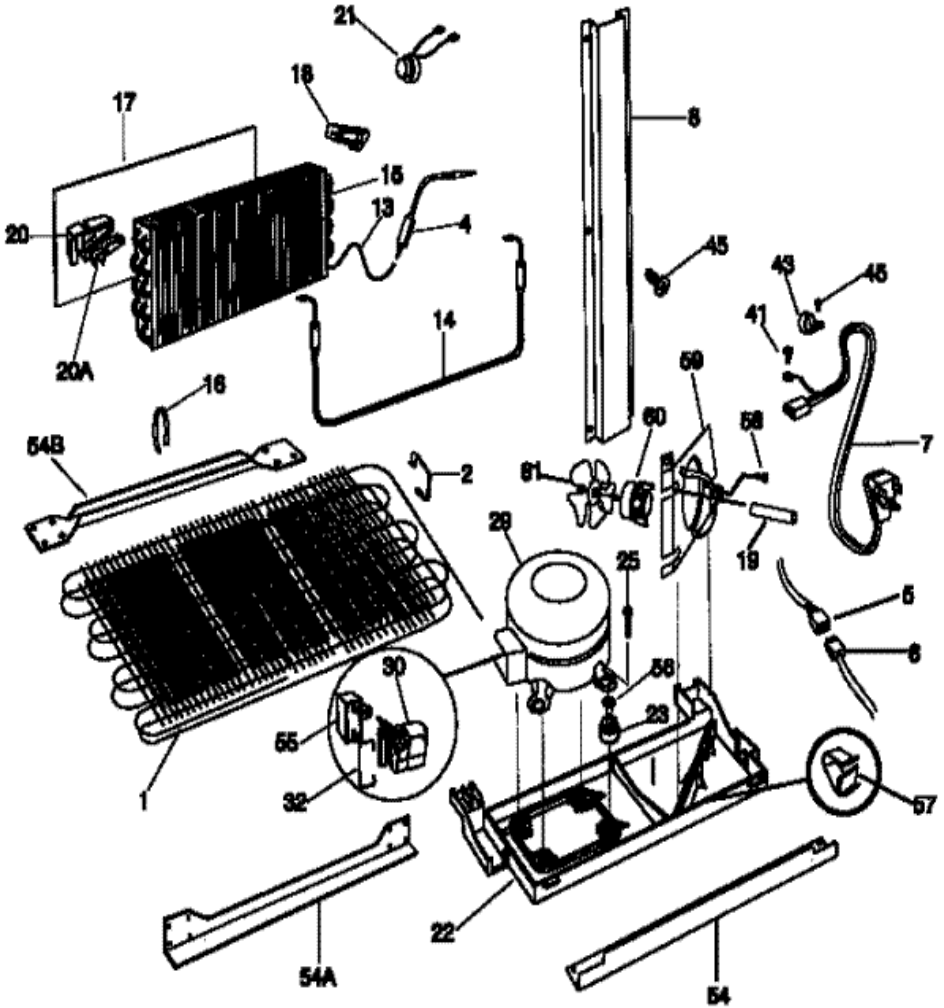


Distribuidor Autorizado

SurteRápido.com

Venta de Refacciones  
Electrodomesticas

## FRT22IRSHB0 COMPRESOR





## FRT22IRSHB0 COMPRESOR

1	5304439515	CONDENSER (S/P)
2	5303289029	CLIP-COND MTG,(4) (S/P)
4	5303305677	DRIER-FILTER,R134A SYSTEM (S/P)
5	218671800	HARNESS-WIRING,MAIN (S/P)
6	215633901	HARNESS-WIRING,MACHINE COMPT (S/P)
7	215459201	CORD-ELECTRIC POWER (S/P)
8	218803400	COVER-WIRING (S/P)
13	218168602	HEAT EXCHANGER,SUCTION LINE (S/P)
14	5317842502	HEATER-DEFROST
15	5303321220	EVAPORATOR (S/P)
16	5308000110	STRAP-EVAP/HEATER,ALUMINUM ,(2) (S/P)
17	5316651102	INSULATOR-EVAP,PLASTIC (S/P)
18	5303292407	INSULATION BLOCK,RH (S/P)
19	218631200	<b>DESCONTINUADO</b>
20	5303292406	INSULATION BLOCK,LH (S/P)
20	5303292405	INSULATION PLUG,LH (S/P)
21	5303917954	THERMOSTAT-DEFROST
22	218811100	<b>DESCONTINUADO</b>
23	218513300	GROMMET-COMPR MTG,(4) (S/P)
25	218773500	SCREW-COMPRESSOR MTG, (S/P)
29	5304443725	COMPRESSOR,R134A ,W/O ELECTRICALS (S/P)
30	216649300	STARTER-PTC (S/P)
32	218888601	WIRE-BALE (S/P)
41	5308000039	SCREW,HEX WSHR HD ,8-32CA X 0.500 , (S/P)
43	5303001199	CLAMP-SERVICE CORD,STRAIN RELIEF , (S/P)
45	5303001343	SCREW,HEX WSHR HD ,8-15A X .5 ,SPEC (S/P)
54	5303289311	RAIL-COMPR SUPPORT (S/P)
54	5303289292	<b>DESCONTINUADO</b>
54	5303289027	RAIL-CABINET BASE,REAR (S/P)
55	218909902	CAPACITOR-RUN (S/P)

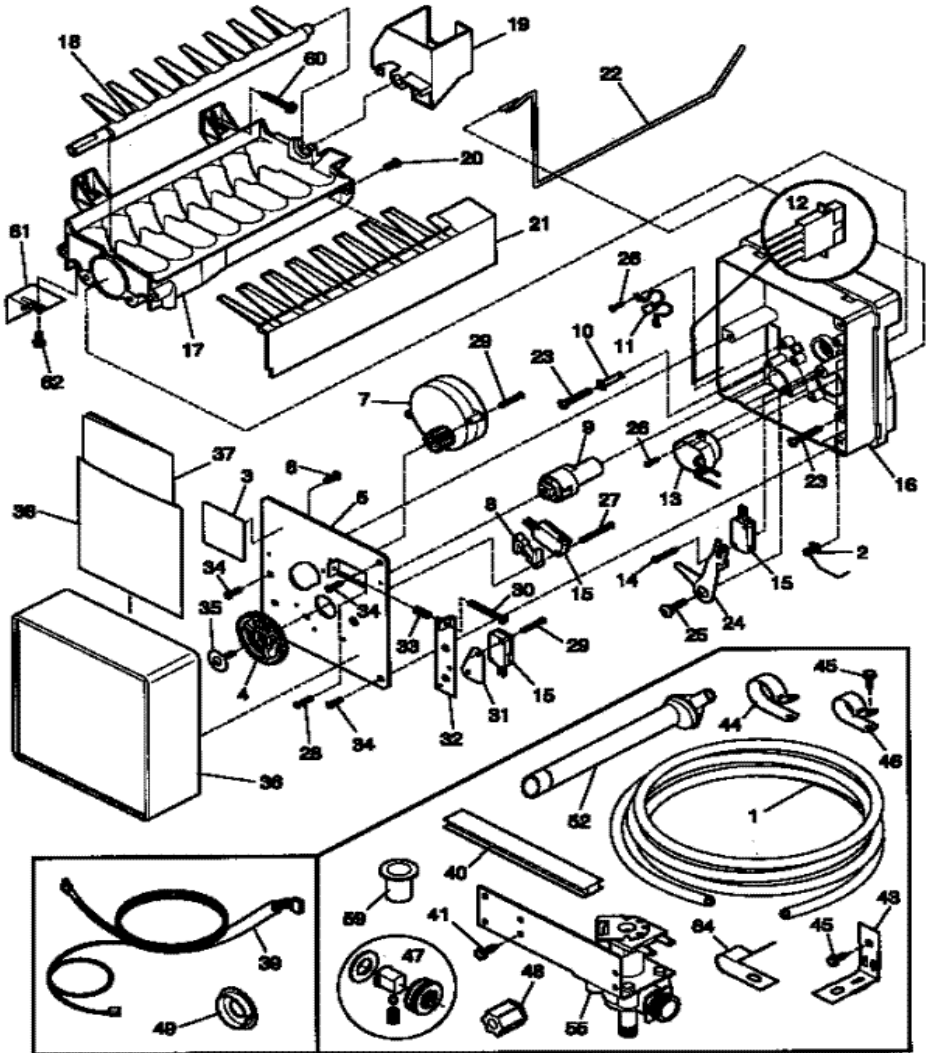
56	218769300	INSERT-COMPRESSOR MTG (S/P)
57	218247300	CLIP-WIRING HARNESS (S/P)
58	215004600	SCREW-COND FAN MTR,HX SERR WSHR HD , (S/P)
59	5303289031	SHROUD-COND FAN MTR (S/P)
60	215501901	MOTOR-CONDENSER FAN (S/P)
61	5303289032	<b>DESCONTINUADO</b>

Distribuidor Autorizado

SurteRápido.com

Venta de Refacciones  
Electrodomesticas

# FRT22IRSHB0 ICEMAKER





**FRT22IRSHB0 ICEMAKER**

1	5308010366	TUBE-WATER INLET,93` ,PLASTIC , (S/P)
2	3206348	SPRING,SHUT-OFF ARM (S/P)
3	3206299	PLATE-I.D. (S/P)
4	5304456658	GEAR (S/P)
5	3206303	PLATE-MOUNTING (S/P)
6	3206305	SCREW-GROUND WIRE,8-32 X 1/4 (S/P)
7	3206306	MOTOR-ICE MAKER (S/P)
8	3206312	SPACER-HOLDING SW (S/P)
9	5304456661	CAM (S/P)
10	3206315	CLAMP (S/P)
11	3206319	THERMAL CUTOFF,ICEMAKER , (S/P)
13	3206322	THERMOSTAT ASSY,ICE MAKER (S/P)
14	3206323	SCREW-SWITCH MTG,4-24 X 3/4 , (S/P)
15	5304456667	SWITCH,(3) (S/P)
16	3206326	SUPPORT (S/P)
17	5303320545	MOLD-ICE MAKER,RADIUS CUBE , (S/P)
18	5304456670	EJECTOR (S/P)
19	3206330	BEARING & INLET (S/P)
20	3206331	SCREW,8-18 X 0.375 ,(2) (S/P)
21	3206332	ICE STRIPPER (S/P)
22	5304456673	ARM,SHUT-OFF (S/P)
23	3206334	SCREW-SUP/MOLD BODY,8-18 X 1 ,(4) (S/P)
24	5304456675	LEVER-ARM (S/P)
25	3206336	SCREW-ARM LEVR/SPRT,8-18 X 9/16 (S/P)
26	3206337	SCREW-THERMO/SPRT,4-24 X 3/8 ,(4) (S/P)
27	3206338	SCREW-SW&SPCR/PLATE,4-40 X 1 (S/P)
28	3206339	SCREW-TIMING STOP,4-40 X 3/8 (S/P)
29	3206340	SCREW-MTR & SW/PLATE,4-40 X 3/4 (S/P)
30	3206341	SCREW-TIMING,8-32 X 1 (S/P)
31	5304456680	INSULATOR (S/P)

32	3206343	PLATE-VALVE SWITCH (S/P)
33	3206344	SPRING (S/P)
34	3206345	SCREW-MTG PLATE/SPRT,8-18 X 7/16 (S/P)
35	3206346	SCREW-GEAR/CAM,6-20 X 0.437 (S/P)
36	3206347	COVER-ICE MAKER,COMPLETE (S/P)
37	5303320544	DATA SHEET,ICE MAKER (S/P)
38	5303207445	ENVELOPE-DATA SHEET (S/P)
39	5303289065	HARNESS-WIRING,IM TO REFR (S/P)
40	5305877995	SEALING STRIP (S/P)
41	5308000039	SCREW,HEX WSHR HD ,8-32CA X 0.500 , (S/P)
43	5303001199	CLAMP-WIRING HARNESS,STRAIN RELIEF , (S/P)
44	5308000133	CLAMP,NYLON ,.75 OD TUBE (S/P)
45	5303001343	SCREW,HEX WSHR HD ,8-15A X .5 ,SPEC (S/P)
46	5303001193	CLAMP-INLET TUBE,METAL (S/P)
47	5308000205	ADAPTER-WATER SPLY,STRAIGHT (S/P)
48	218731600	NUT,7/16 X 20 ,NYLON (S/P)
49	5303001147	PLUG-HARNESS HOLE,(2) (S/P)
52	218947201	TUBE-FILL (S/P)
55	241803701	VALVE-WATER,115 V (S/P)
59	5303001191	SLEEVE-TUBE INSERT (S/P)
60	5303207328	SCREW,HEX WSHR HD ,8-15A X 1 (S/P)
61	218721500	BRACKET-LEVELING,ICE MAKER (S/P)
62	218737900	SCREW-IM MTG BRKT,HEX HD ,8-32 X 3/8 (S/P)
64	5304455846	CLAMP-COPPER TUBE,STEEL (S/P)
12A	3206321	CONNECTOR PLUG,WIRING HARNESS (S/P)
12B	3206349	HARNESS-WIRING,IM INTERNAL ,WITH PLUG (S/P)