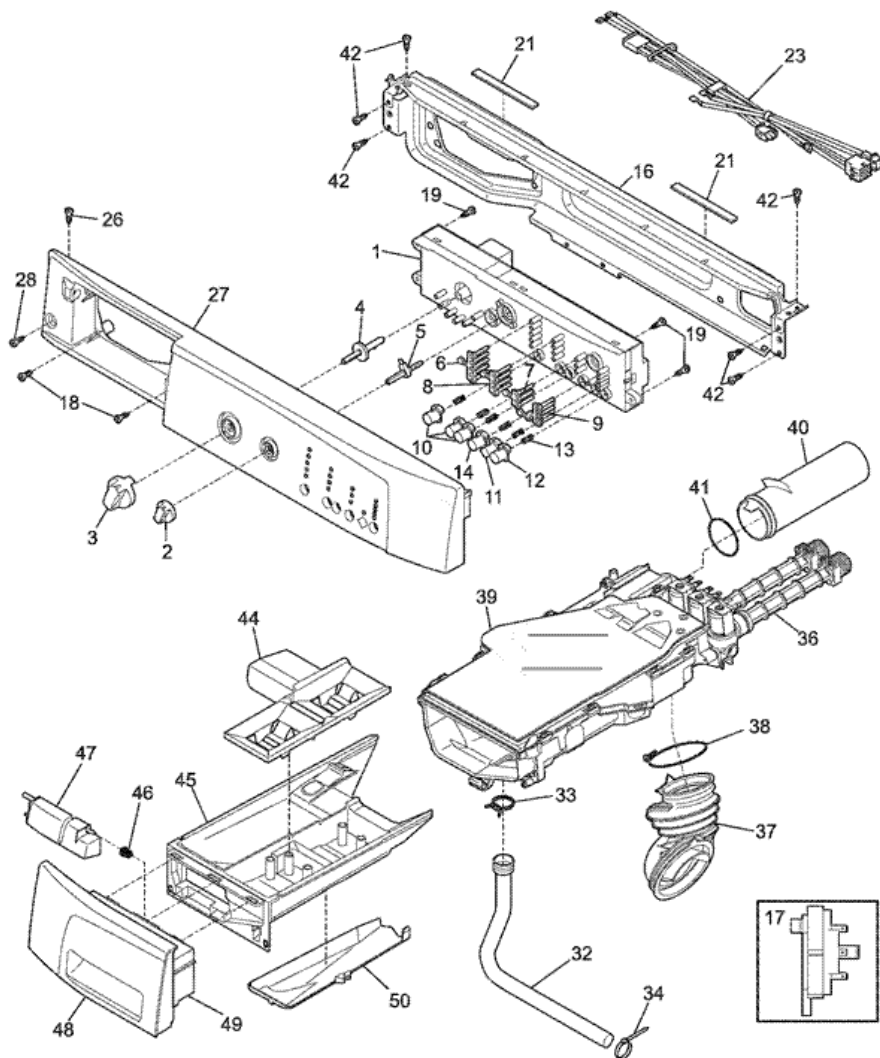


Distribuidor Autorizado

**SurteRápido.com**

Venta de Refacciones  
Electrodomesticas

## FTF2140FS1 TABLERO





## FTF2140FS1 TABLERO

1	137005000	CONTROL BOARD, PC, WITH HOUSING (S/P)
2	134432000	KNOB, FUNCTION (S/P)
3	134431900	KNOB, PROGRAM (S/P)
4	134347700	PIN, PROGRAM KNOB (S/P)
5	134347300	PIN, FUNCTION KNOB (S/P)
6	134429100	LIGHT PIPE, ARRAY, 1 ROW OF 5 (S/P)
7	134429300	LIGHT PIPE, ARRAY, 3 ROW OF 3 (S/P)
8	134429200	LIGHT PIPE, ARRAY, 2 ROW OF 4 (S/P)
9	134429400	LIGHT PIPE, ARRAY, 4 START GROUP (S/P)
10	134385100	PUSH BUTTON, FUNCTION (S/P)
11	134385201	PUSH BUTTON, START (S/P)
12	134385301	PUSH BUTTON, PAUSE (S/P)
13	134349400	SPRING, PUSH BUTTON (S/P)
14	134385400	PUSH BUTTON, SOIL (S/P)
16	134364800	BRACKET, TOP FRONT (S/P)
18	131302800	SCREW, 10-16AB X 0.375 (S/P)
19	134402900	SCREW, PHILLIPS, 6-19 X 0.650 (S/P)
21	134407900	DAMPENER, VIBRATION (S/P)
26	131205100	SCREW, NO.8 PAN HEAD, 10-10B X 0.500, (S/P)
27	134442600	PANEL, CONTROL CONSOLE (S/P)
28	131205300	SCREW, 10-16 X 0.750 (S/P)
32	134586500	HOSE, DISP-TO-BELLOWS (S/P)
33	137087504	CLAMP (S/P)
34	5303321209	CABLE TIE, 5.60 INCH (S/P)
37	134372300	HOSE, DISP-TO-TUB (S/P)
38	134372400	CLAMP, TUB HOSE (S/P)
39	134409350	HOUSING, DISPENSER, VALVE, COVER (S/P)
40	134372100	TUBE, DISP-TO-OVERFLO (S/P)
41	134372200	O-RING, OVERFLOW TUBE (S/P)
42	131168200	SCREW, PAN HEAD, 8-18B X 0.31 (S/P)
44	134370200	COVER, DISPENSER (S/P)
45	134370000	DRAWER, DISPENSER (S/P)
46	134349500	SPRING, DOOR LATCH (S/P)

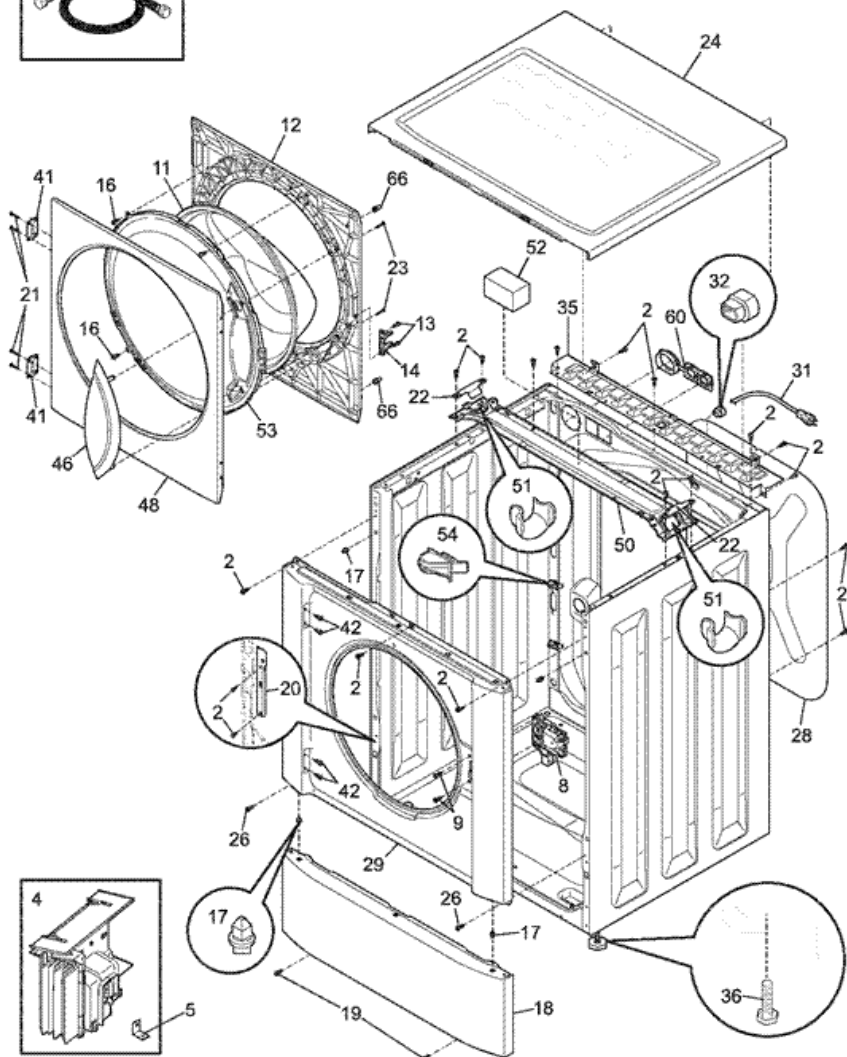
47	134386500	LATCH, DISPENSER, SLIDER LOCK (S/P)
48	134453300	HANDLE, DISPENSER, FRONT (S/P)
49	134386200	FRAME, DRAWER HANDLE (S/P)
50	134370100	CONVEYOR, DISPENSER, LOWER (S/P)
F17	134844501	SWITCH, PRESSURE (S/P)
F36	134866600	VALVE, DISPENSER, NON NTC (S/P)
NI	134743300	HARNESS, MAIN (S/P)
F23	134435300	WIRING HARNESS, CONTROLS (S/P)

Distribuidor Autorizado

SurteRápido.com

Venta de Refacciones  
Electrodomesticas

# FTF2140FS1 GABINETE





## FTF2140FS1 GABINETE

1	131279600	HOSE, WATER INLET, 4 FT., HOSE & WASHER (S/P)
2	131168200	SCREW, PAN HEAD, 8-18B X 0.31 (S/P)
5	134522900	BRACKET, ANGLE, MOTOR CONTROL (S/P)
9	131303300	SCREW, PAN HEAD, 10-16AB X 0.500, LOCKING (S/P)
11	134366400	PANEL, DOOR GLASS (S/P)
12	134507300	PANEL, INNER DOOR, WITH BUMPER (S/P)
13	131302901	SCREW, 10-16 X 0.750 (S/P)
14	131763310	STRIKER, DOOR/LOCK/SW
16	131205300	SCREW, 10-16 X 0.750 (S/P)
17	134408700	CLIP, ASSEMBLY (S/P)
18	134321702	PANEL, FRONT SERVICE, WHITE (S/P)
19	131258400	SCREW, 10-16AB X 0.500 (S/P)
20	134434901	BRACKET, LS PANEL, REINFORCEMENT (S/P)
21	134424700	SCREW, COMB FLAT HEAD, 8-18AB X 0.75 (S/P)
22	134364700	RETAINER, SPRING STEEL (S/P)
23	134522100	SCREW, NO.12 FLAT HEAD, 10-14P (S/P)
24	134365000	PANEL, WORK TOP, WHITE (S/P)
26	134521600	SCREW, HEX WASHER HEAD, M5 0.8 X 15 (S/P)
28	134364300	PANEL, SERVICE ACCESS, REAR (S/P)
29	137021510	PANEL, CABINET FRONT, WHITE (S/P)
32	5303209428	BUSHING, POWER CORD (S/P)
35	134365100	BRACKET, TOP SUPPORT, REAR (S/P)
36	134548800	LEVELING LEG, SCREW, PLASTIC (S/P)
41	134412400	HINGE, DOOR (S/P)
42	134156200	SCREW, FLAT HEAD, 8-18AB X 0.44 (S/P)
46	134412860	HANDLE, DOOR (S/P)
48	134913103	PANEL, OUTER DOOR, WHITE (S/P)
50	134364600	BRACKET, TUB SUSPENSION (S/P)
51	134562100	PROTECTOR, TUB BRKT, SPRING HOOK, (2) (S/P)
52	131931202	DAMPENER, VIBRATION, FOAM (S/P)
53	134507401	ADAPTER, DOOR GLASS RING (S/P)
54	134364900	FASTENER, WIRE HARN CLIP (S/P)
60	134372000	GROMMET, DISPENSER, BACK PANEL (S/P)

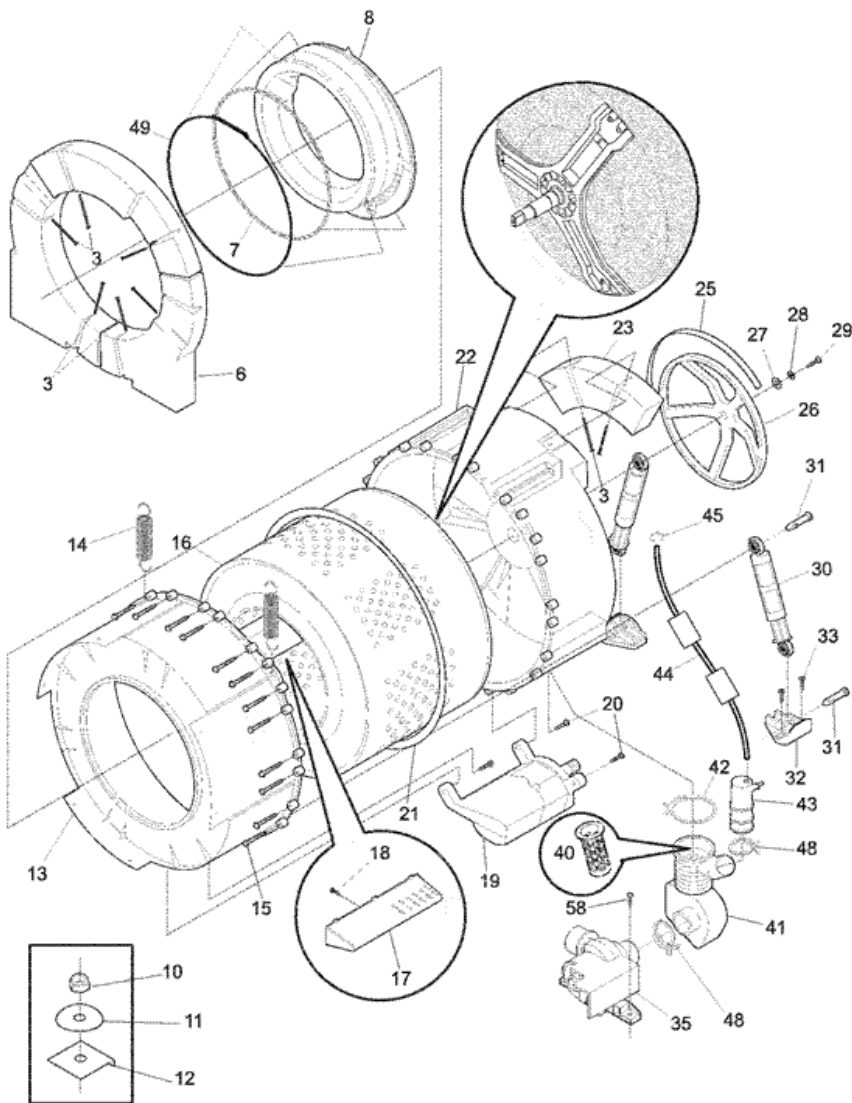
66	134366500	BUMPER, DOOR (S/P)
NI	134889700	CLIP, HOSE, DRAIN, REAR-PANEL (S/P)
NI	134591500	PLUG ASSY, SHIPPING HOLES, BACK (S/P)
NI	134606800	WIRING HARNESS, DOOR SWITCH (S/P)
NI	134547600	WIRING HARNESS, MOTOR CONTROL (S/P)
F4	134743500	CONTROL BOARD, MOTOR
NI	134434900	BRACKET, RS PANEL, REINFORCEMENT (S/P)
F31	134501000	POWER CORD, ELECTRIC SVCE (S/P)
NI	134178901	SCREW, 8-18AB X 0.455 (S/P)
F8	131763200	DOOR LOCK/SWITCH ASSY
NI	134596200	SHIPPING SUPPORT KIT (S/P)

Distribuidor Autorizado

SurteRápido.com

Venta de Refacciones  
Electrodomesticas

# FTF2140FS1 TAMBOR





## FTF2140FS1 TAMBOR

3	131793303	BOLT, CARRIAGE, 1/4-20 X 2.60 (S/P)
6	134362200	COUNTERWEIGHT, FRONT, ONE PIECE (S/P)
7	134365300	SPRING, BELLOWS CLAMP, RETAINER (S/P)
10	131304700	NUT, HEX, 1/4-20 UNC-2B, (2) (S/P)
11	131276900	WASHER, BELLVILLE, SPRING STEEL (S/P)
12	134430600	PLATE, COUNTERWEIGHT (S/P)
13	134362000	SHELL, TUB, FRONT (S/P)
15	131303900	SCREW, HEX WASHER HEAD, 1/4-10A X 2.165 (S/P)
16	137105900	DRUM ASSY, SPIN BASKET (S/P)
17	134509600	VANE KIT, DRUM (S/P)
18	131302800	SCREW, 10-16AB X 0.375 (S/P)
20	131303500	SCREW, 12-14AB X 1.50, MOTOR MTG. (S/P)
21	134361900	O-RING, TUB (S/P)
22	134509510	SHELL, OUTER TUB, REAR, W/BEARING, SEAL (S/P)
29	134408400	SCREW, 10.9 CLASS, M10 X 25 MM (S/P)
30	134560410	SHOCK ABSORBER, DUAL STAGE (S/P)
31	131268300	PIN, SHOCK MTG. (S/P)
32	134363200	BRACKET, SHOCK MTG. (S/P)
33	134160900	SCREW, WASHER HD, 10-16AB X 0.75 (S/P)
40	134885800	FILTER, PUMP (S/P)
41	134455900	HOSE, COIN TRAP, TUB-TO-PUMP (S/P)
42	134737300	CLAMP, HOSE (S/P)
43	134369000	CHAMBER, AIR (S/P)
44	134369900	HOSE, AIR PRESSURE (S/P)
48	131306234	CLAMP, HOSE, WIRE (S/P)
49	134527100	CLAMP, BELLOWS, SPRING HELD (S/P)
58	134440700	HANGER, DRAIN HOSE (S/P)
NI	134994200	FASTENER, HOSE CLIP, (3) (S/P)
NI	134641100	BRACKET, DRAIN HOSE MTG, REAR (S/P)
NI	134817400	ENERGY GUIDE (S/P)
NI	134889600	HOSE, DRAIN-ONE PIECE (S/P)
F25	134051003	BELT, DRIVE, 6-RIB (S/P)
NI	5303321209	CABLE TIE, 5.60 INCH (S/P)



F35	134051200	PUMP, DRAIN
NI	131202300	SCREW, 10-16AB X 0.625 (S/P)
NI	134261300	CLIP, DRAIN HOSE, PUSH-MOUNT (S/P)
F19	134362500	MOTOR, 120 V (S/P)
F26	134362600	PULLEY, DRUM DRIVE, LARGE, REAR (S/P)
F14	134362800	SPRING ASSY, SUSPENSION (S/P)
F8	134515300	BELLOWS, BOOT, NO LIGHT HOLE (S/P)