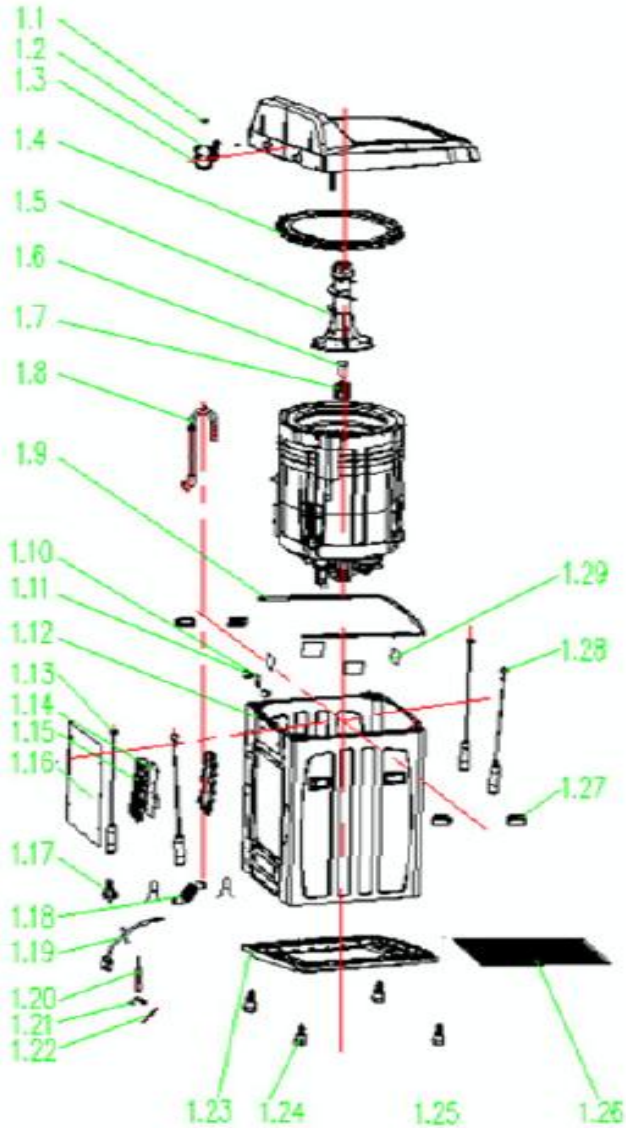
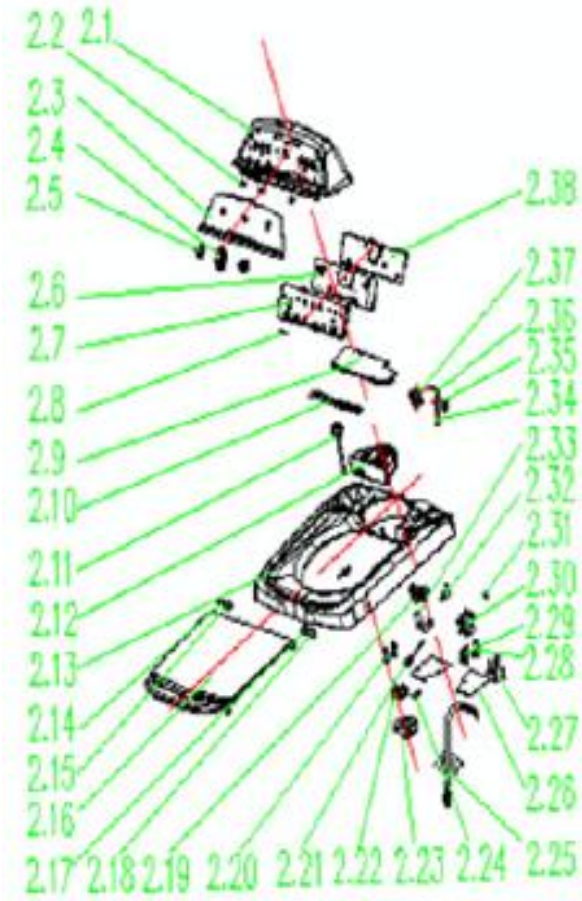


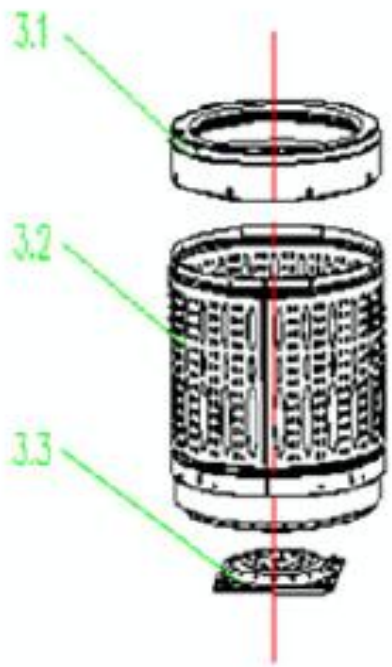
FWAC16B4MSGKS



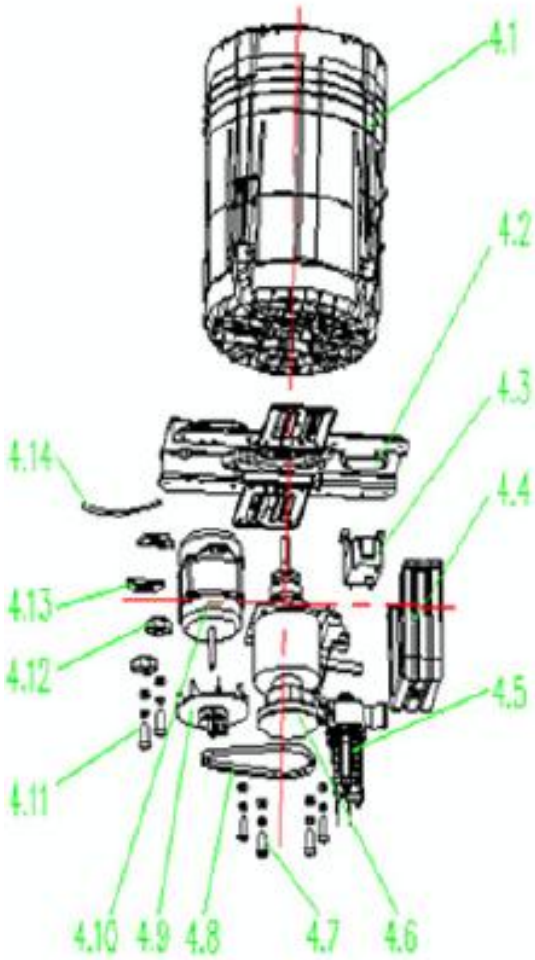
FWAC16B4MSGKS



FWAC16B4MSGKS



FWAC16B4MSGKS





FWAC16B4MSGKS

1.1	301120450055	WATER INLET VALVE COVER SUBASSEMBLY
1.2	302701100024	(COLD) WATER INLET PIPE SUBASSEMBLY
1.3	302720500036	(WARM) WATER INLET PIPE SUBASSEMBLY
1.4	301121670005	OUTER TUB COVER
1.5	301121670143	AGITATOR SUBASSEMBLY
1.6	302520350001	PULSATOR SCREW SUBASSEMBLY
1.7	301121670004	CONNECTING SUBASSEMBLY
1.8	301121670012	UP DRAIN HOSE SUBASSEMBLY
1.9	301121670142	CONNECTING BARS
1.11	301121670016	PIPE HOLDER
1.12	301221670005	CABINET
1.13	302921670002	BACK SUSPEND SYSTEM
1.14	301321670220	PCB (HV)
1.15	301121670001	PCB BOX SUBASSEMBLY
1.16	301121670010	REAR COVER PLATE
1.17	301121670014	MIDDLE HOSE TIE-IN
1.18	302721670001	MIDDLE HOSE SUBASSEMBLY
1.19	302419950021	POWER CORD
1.20	302421670016	MOTOR CAPACITOR SUBASSEMBLY
1.21	301219950000	CAPACITOR CLAMP
1.22	302421470001	MAIN FUSE SUBASSEMBLY
1.23	301121670140	BASE
1.24	301121670141	ADJUSTABLE FOOT SUBASSEMBLY
1.26	301121670011	BASE COVER
1.27	301119950035	HANDLE
1.28	302921670003	FRONT SUSPEND SYSTEM
1.29	302720350011	PREVENT BUMP
2.1	301121670166	BACK CONTROL PANEL
2.2	302721670009	RING
2.3	301121670180	CONTROL PANEL
2.4	301121670170	KNOB SUBASSEMBLY(MAIN)
2.5	301121670173	KNOB SUBASSEMBLY(SMALL)
2.6	301321670014	PCB (LV)

2.7	301121670169	PCB BOX
2.8	301121670176	KNOB SWITCH POLE
2.9	301121670149	NOZZLE SUBASSEMBLY
2.10	301121670157	DRAWER GIRDER
2.11	302421670023	IMPACT SWITCH
2.12	301121670153	DRAWER
2.13	301121670148	TOP COVER
2.14	301121670159	DAMPER (CLOCKWISE)
2.15	301121670160	DAMPER BOX COVER (LEFT)
2.16	301121670162	LID SUBASSEMBLY
2.17	301121670161	DAMPER BOX COVER (RIGHT)
2.18	301121670158	DAMPER (ANTI-CLOCKWISE)
2.19	302421670022	WATER INLET VALVE (1 IN 1 OUT)
2.20	302920650000	SNAP RING
2.21	302421670035	MAGNETIC COVER SWITCH
2.22	302421670010	LOCK
2.23	301121670178	LOCK SUPPORT
2.24	301121670147	SUPPORT
2.25	302421670034	INTERNAL WIRE SUBASSEMBLY
2.26	301121670177	BREAKWATER
2.27	302950600042	SNAP RING
2.28	302721670007	(COLD) WATER INLET HOSE
2.29	302721670008	(COLD) WATER INLET HOSE
2.30	302421670020	WATER INLET VALVE
2.31	302720300006	INLET VALVE RUBBER WASHER
2.32	301121670152	DAMPER BOX
2.33	302721670006	(WARM) WATER INLET HOSE
2.34	302920300036	SNAP RING
2.35	302720300022	DAMPING WASHER
2.36	302720300014	AIR PRESSURE TUBE
2.37	302421670005	WATER LEVEL SENSOR SUBASSEMBLY
2.38	301121670168	PCB BOX COVER
3.1	301121670029	BALANCE RING SUBASSEMBLY
3.2	301221670012	STAINLESS STEEL INNER TUB SUBASSEMBLY
3.3	302921670006	COUPLING PLATE
4.1	301121670002	OUTER TUB SUBASSEMBLY
4.2	301221670014	BASE PLATE (SUBASSEMBLY)
4.3	302421670017	MOTOR RETRACTOR

4.4	302921670001	BRACKET
4.5	302421670019	DRAIN PUMP
4.6	302921670000	CLUTCH SUBASSEMBLY
4.7	302521150007	CLUTCH BOLT SUBASSEMBLY
4.8	302721670000	V-BELT
4.9	302920850004	MOTOR PULLEY SUBASSEMBLY
4.10	302421670013	MOTOR
4.11	302501150010	MOTOR BOLT SUBASSEMBLY
4.12	302721670010	UPPER CUSHION
4.13	302721670011	LOWER CUSHION
4.14	302420300043	EARTHING WIRE