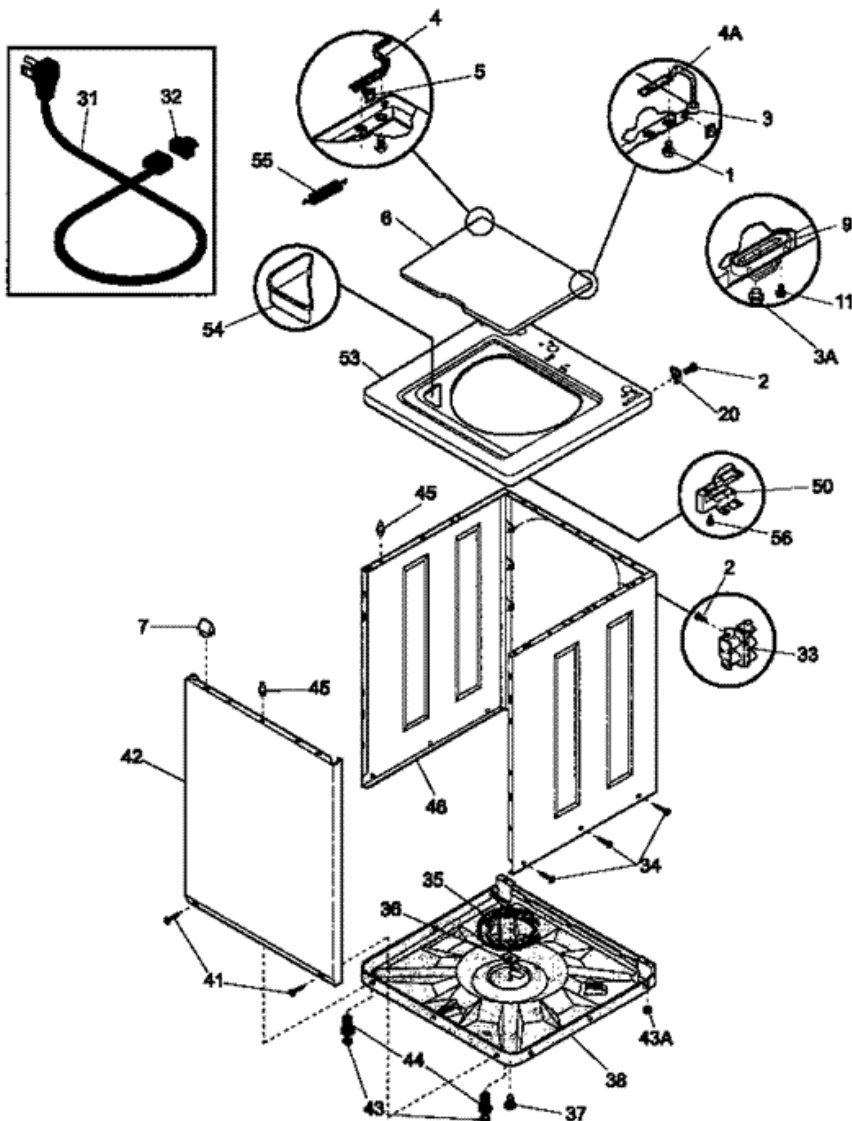


Distribuidor Autorizado

SurteRápido.com

Venta de Refacciones
Electrodomesticas

FWS445RFS1 GABINETE





FWS445RFS1 GABINETE

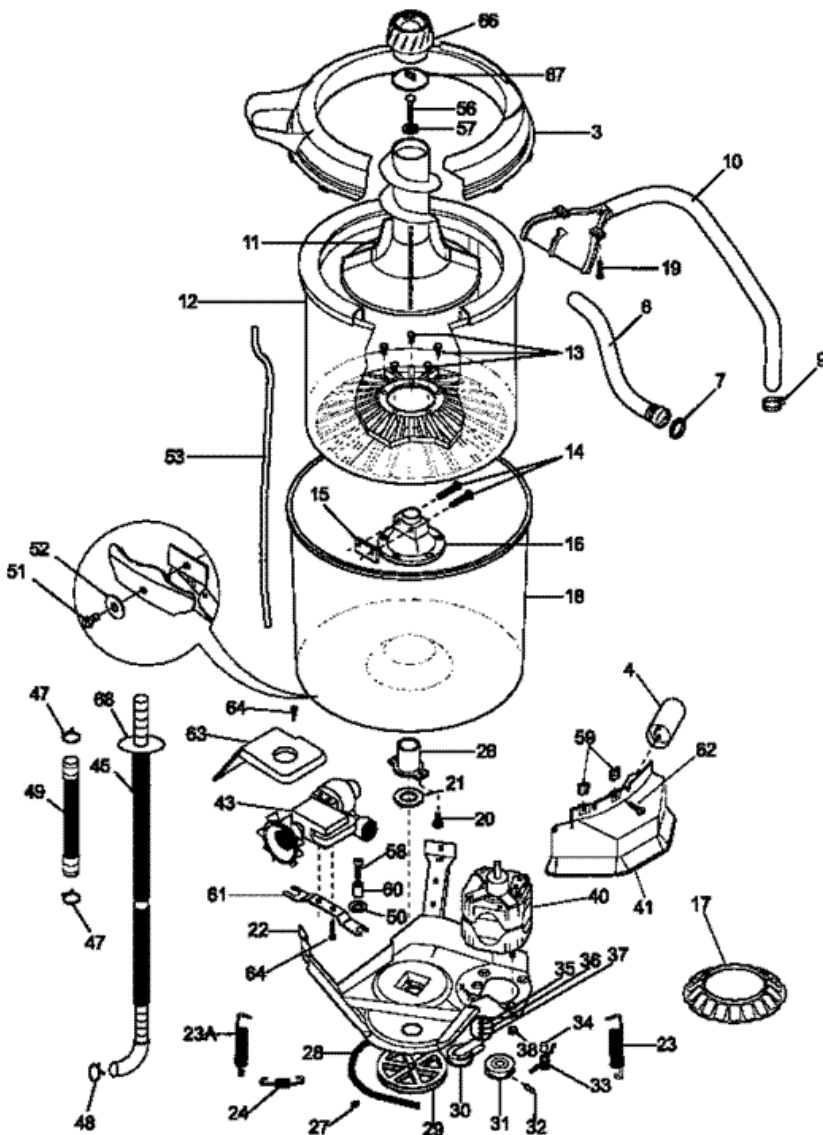
1	131587500	SCREW-HINGE,PPH 45DEG HDRPT ,6-32X.312 (S/P)
2	131168200	SCREW,8-18 X 0.31 (S/P)
3	134075500	BUMPER-LID
3	131433300	BUMPER-HINGE (S/P)
4	131385910	HINGE-BAR,LH (S/P)
4	131374210	HINGE-BAR,RH (S/P)
5	5303208743	GROMMET-LID (S/P)
6	131374401	LID,WHITE ,W/O INST. (S/P)
7	3205821	CLIP-TOP PANEL,TO FRONT PANEL (S/P)
9	131390000	STRIKE-LID
11	3204368	SCREW-STRIKE,PFH B ,6-20X.375 (S/P)
20	5303208751	HINGE-REAR CABINET
31	134501000	CORD-SERVICE (S/P)
32	5303209428	BUSHING-CORD (S/P)
33	134190200	VALVE-WATER
34	131205500	SCREW-BODY,1/4-14 X 0.625 (S/P)
35	5308002385	RING-SNUBBER
36	3204380	BLOCK-SHIPPING (S/P)
37	131658900	SCREW-SHIPPING (S/P)
38	5303311213	BASE ASSEMBLY
41	131258400	SCREW-FRONT PNL,COMB TH AB (S/P)
42	131104303	PANEL-FRONT,WHITE (S/P)
43	131422100	PAD-LEVELING LEG
43	131422200	PAD-LEVEL LEG (S/P)
44	5303309673	LEG-LEVELING,WITH PAD
45	131346400	PIN-LOCATING (S/P)
46	134046600	BODY-WHITE (S/P)
50	134101800	LOCK-LID
53	131452692	PANEL-TOP,WHITE (S/P)
54	5303208778	DISPENSER-BLEACH (S/P)
55	5303212876	SPRING-LID
56	131243800	SCREW-BRKT TOP,PAN HD LOCKING (S/P)

Distribuidor Autorizado

SurteRápido.com

Venta de Refacciones
Electrodomesticas

FWS445RFS1 TINAS



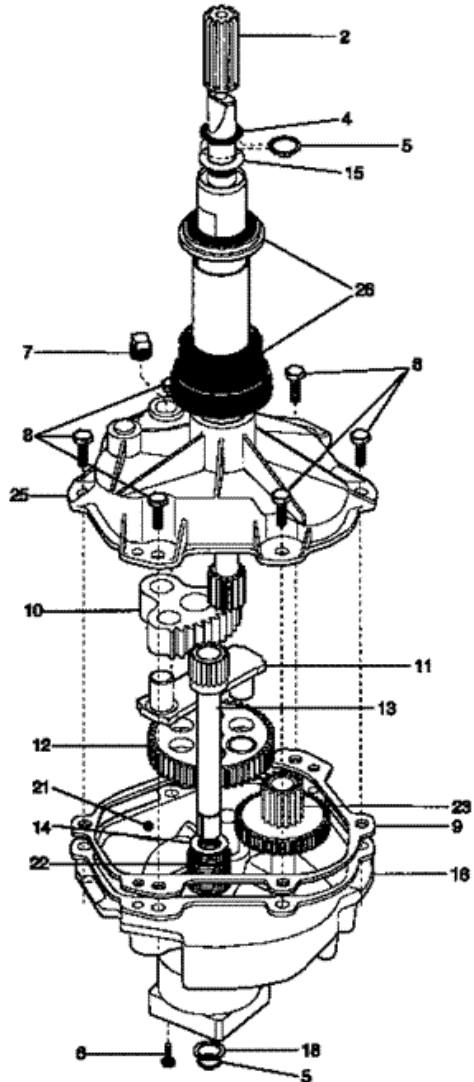
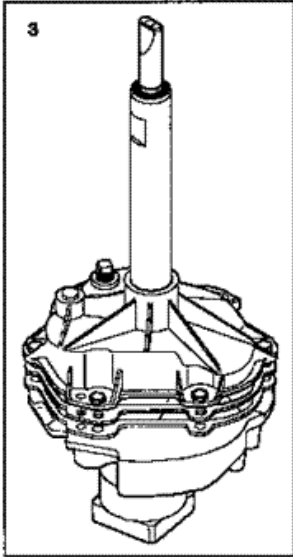


FWS445RFS1 TINAS

3	131551103	COVER-SPLASH TUB
4	131212301	CAPACITOR (S/P)
6	5303271009	HOSE-INLET (S/P)
7	5303161296	WASHER-INLET HOSE (S/P)
9	5303304824	CLAMP
10	131726300	HOSE AND NOZZLE
11	131605901	ASMY-AGITATOR-DUAL ACTION
12	131221310	TUB-SPIN (S/P)
13	5303283293	SCREW-TRUNNION,UNC2AX.625 ,.312-18 ,(5)
14	131192800	SCREW-LOCKPLATE,HX ,.312-18 X.1.625
15	5308001923	LOCK PLATE
16	131545101	TRUNNION
17	131219900	FILTER-LINT (S/P)
18	131557201	TUB-SPLASH,WVAIR DOME,BRNG (S/P)
19	131205300	SCREW-DOOR,10-16X.75 (S/P)
20	3205150	SCREW-TUB BEARING,PPH B ST/Z (S/P)
21	5308002401	WASHER,SPIN BEARING ,UPPER (S/P)
22	131373610	LEG & DOME ASSY
23	5303208858	SPRING-VERTICAL,SHORT
23	5303208860	SPRING-VERTICAL
24	131373900	SPRING-HORIZONTAL (S/P)
26	3204405	BEARING-OUTER TUB
27	5303304825	SCREW-SET,HHD CUP PT ,5/16-18X.85 (S/P)
28	131686100	BELT-WASHER
29	131498300	PULLEY-TRANSMISSION
30	131862900	ARM-IDLER
31	3204423	PULLEY-MOTOR
32	3204424	PIN-ROLL (S/P)
33	3204425	SPRING-TORSION
34	3204426	SLEEVE-IDLER
35	3161433	RING-RETAINING
36	5303261031	WASHER-PIVOT SHAFT
37	5303161306	WASHER-SPRING

38	5303318708	NUT-MOTOR (S/P)
40	131902700	MOTOR-MAIN,3/4 HP ,WASHER ,2 SPEED
41	131513300	SHIELD-MOTOR (S/P)
43	131268401	PUMP-COMPLETE
47	131306234	CLAMP-HOSE TO TUB (S/P)
48	131306234	CLAMP-PUMP (S/P)
49	131494800	HOSE-PUMP TO TUB
50	131268600	GROMMET-PUMP (S/P)
51	131659000	SCREW-LEG,HWH TYP23 ,5/16-18X.875 (S/P)
52	3005891	WASHER-LEG,IDX.040 ,1.25 ODX.335 (S/P)
53	5300771996	TUBE-PRESSURE (S/P)
56	131468900	SCREW-AGITATOR,HWH SHLDR ,5/16-18X1.250 (S/P)
57	131339600	SPACER-AGITATOR (S/P)
58	131464900	SCREW-PUMP-TO BRACKET (S/P)
59	5303283052	CLIP-SHIELD (S/P)
60	131268700	SPACER-PUMP (S/P)
61	131268500	BRACKET-PUMP (S/P)
62	131258400	SCREW-FRONT PNL,COMB TH AB (S/P)
63	131494300	SHIELD-PUMP (S/P)
64	5303283072	SCREW,PUMP/BRK/SHIELD (S/P)
66	131624500	CUP/CAP ASSY (S/P)
67	131606210	CAP ASSEMBLY
68	131707800	RING-DRAIN HOSE,68 (S/P)
45B	131506500	CLIP-DRAIN HOSE (S/P)
45A	131462500	CLIP-DRAIN HOSE (S/P)
45C	131461200	HOSE-DRAIN,90 INCH

FWS445RFS1 TRANSMISION





FWS445RFS1 TRANSMISION

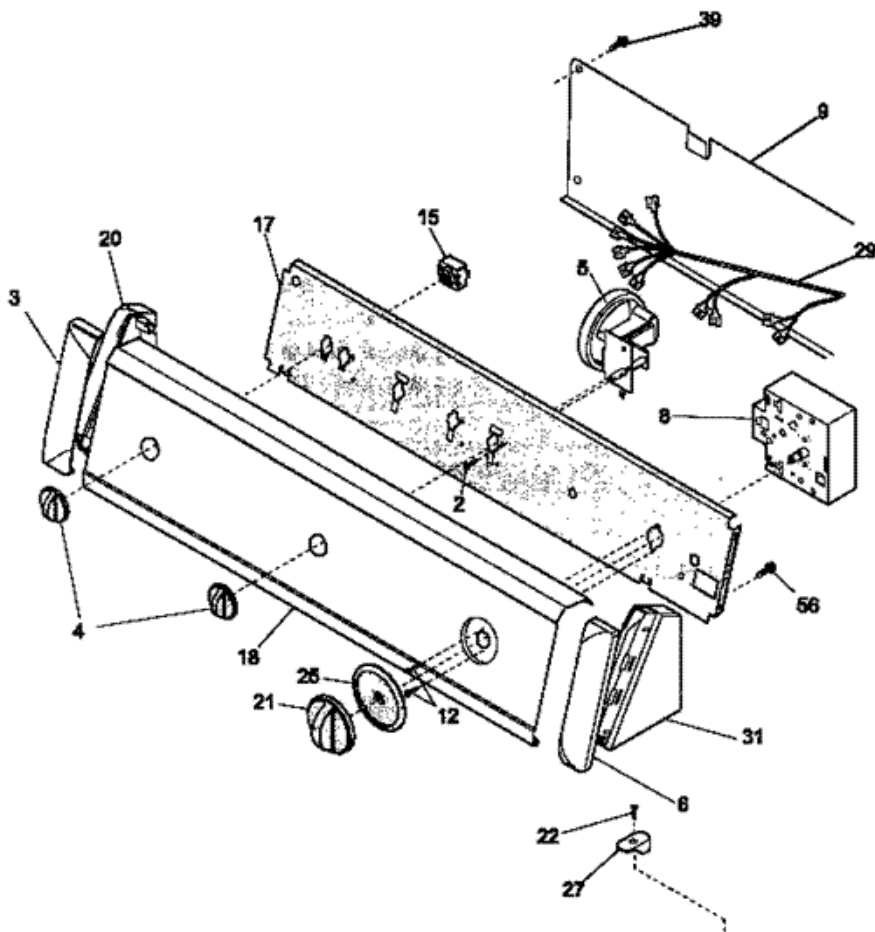
2	134418700	HUB-DRIVE
3	5304465118	TRANSMISSION-COMPLETE (S/P)
4	5303161307	SEAL-UPPER LIP
5	5303161223	RING-RETAINING
6	131346600	SCREW (S/P)
7	5303161224	PLUG-PIPE (S/P)
8	5308002804	SCREW-TRANSM. (S/P)
9	5308015778	GASKET
10	5308011268	GEAR-SECTOR
11	131632701	ROD-CONNECTING
12	5308015496	GEAR-CRANK
13	5308014905	SHAFT-LOWER DESCONTINUADO
14	5303161226	WASHER-THRUST (S/P)
15	5303161232	WASHER DESCONTINUADO
16	131557800	HOUSING-LOWER DESCONTINUADO
18	5308002475	WASHER-SPACER (S/P)
21	3005242	OIL-TRANSMISSION,1QT (S/P)
22	5303161174	SPRING-SMALL LGS
23	5303161175	GEAR-IDLER
25	131878302	HOUSING-UPPER (S/P)
26	5308950197	SEAL-TUB

Distribuidor Autorizado

SurteRápido.com

Venta de Refacciones
Electrodomesticas

FWS445RFS1 TABLERO





FWS445RFS1 TABLERO

2	131168200	SCREW,8-18 X 0.31 (S/P)
3	131122611	COVER-END CAP,WHITE ,LH (S/P)
4	131141105	KNOB-ROTARY,WHITE/BLUE
5	134680100	SWITCH-PRESSURE
6	131122601	COVER-END CAP,WHITE ,RH (S/P)
8	134063500	TIMER-WASHER
9	134088700	BACKSHEET-CONSOLE (S/P)
12	5303283289	SCREW,CR PAN HEAD ,8-32 X 0.25 (S/P)
15	131081200	SWITCH-TEMPERATURE
17	131580000	BRACKET-CONTROL DESCONTINUADO
18	131681600	PANEL-CONTROL,WHITE (S/P)
20	131122711	END CAP,WHITE ,LH
21	131592001	KNOB-TIMER
22	131266300	SCREW-END CAP,CR OVAL HEAD (S/P)
25	131592101	DIAL-TIMER (S/P)
27	131197000	CLIP-CONTROL PANEL (S/P)
29	131773800	HARNESS-WASHER WIRING DESCONTINUADO
31	131122701	END CAP,WHITE ,RH (S/P)
39	131205100	SCREW,8 PAN HEAD ,10-10B X 0.50 (S/P)
56	131243800	SCREW-BRKT TOP,PAN HD LOCKING (S/P)