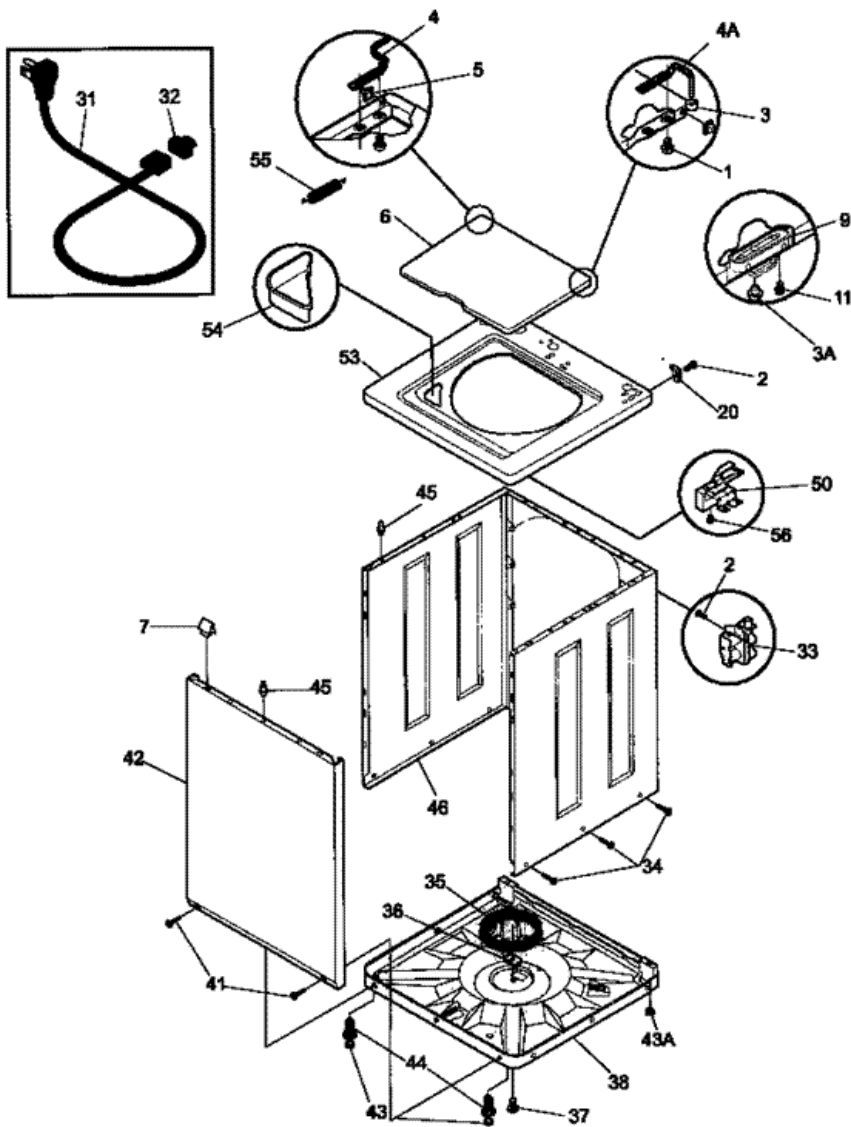


Distribuidor Autorizado

SurteRápido.com

Venta de Refacciones
Electrodomesticas

FWS777GHS0 GABINETE





FWS777GHS0 GABINETE

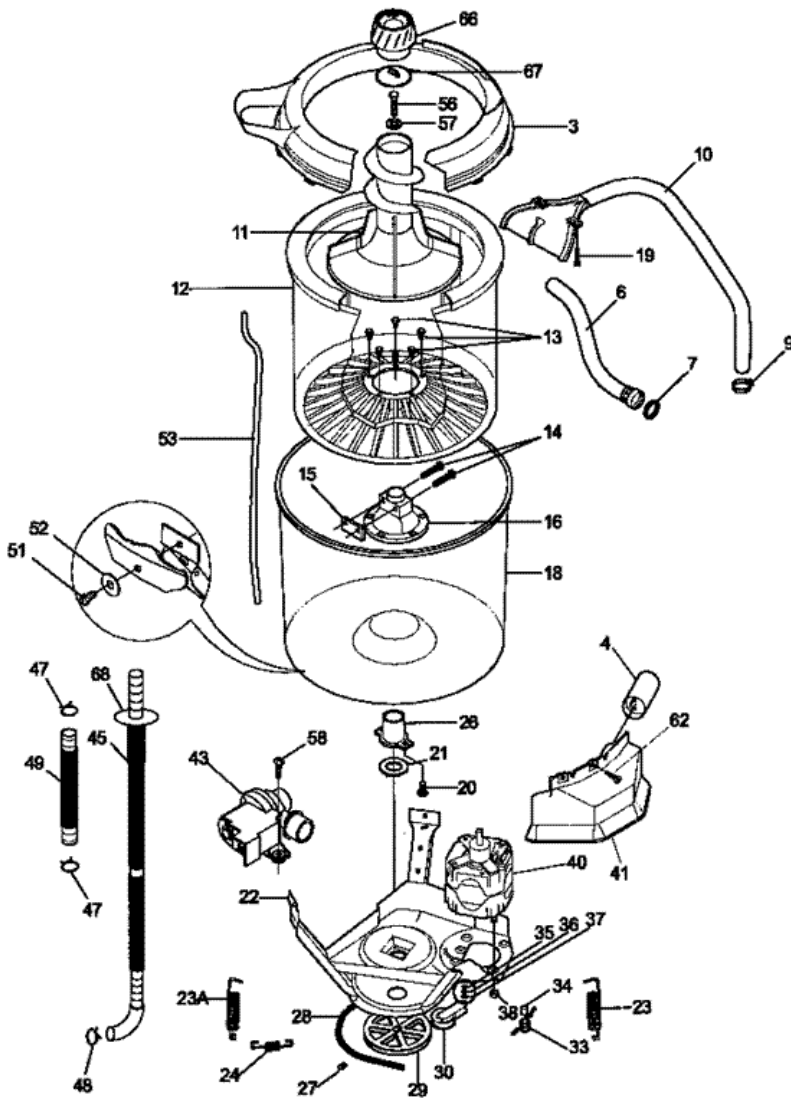
1	131587500	SCREW-HINGE,PPH 45DEG HDRPT (S/P)
2	131168200	SCREW,8-18 X 0.31 (S/P)
3	131433300	BUMPER-HINGE (S/P)
3	134075500	BUMPER-LID
4	131385910	HINGE-BAR,LH (S/P)
4	131374210	HINGE-BAR,RH (S/P)
5	5303208743	GROMMET-LID (S/P)
6	131374401	LID,WHITE ,W/O INST.(WWX223REW1) (S/P)
7	3205821	CLIP-TOP PANEL,TO FRONT PANEL (S/P)
9	131390000	STRIKE-LID
11	3204368	SCREW-STRIKE,PFH B ,6-20X.375 (S/P)
20	5303208751	HINGE-REAR CABINET
31	134501000	CORD-SERVICE (S/P)
32	5303209428	BUSHING-CORD (S/P)
33	134190200	VALVE-WATER
34	131205500	SCREW-BODY,1/4-14 X 0.625 (S/P)
35	5308002385	RING-SNUBBER
36	3204380	BLOCK-SHIPPING (S/P)
37	131658900	SCREW-SHIPPING (S/P)
38	5303311213	BASE ASSEMBLY
41	131258400	SCREW-FRONT PNL,COMB TH AB (S/P)
42	131104303	PANEL-FRONT,WHITE (WWX223REW1) (S/P)
43	131422200	PAD-LEVEL LEG (S/P)
43	131422100	PAD-LEVELING LEG
44	5303309673	LEG-LEVELING,WITH PAD
45	131346400	PIN-LOCATING (S/P)
46	134046600	BODY-WHITE (WWX223REW1) (S/P)
50	134101800	LOCK-LID
53	131452692	WHT BLCH TOP PNL FS WSHR (WWX223REW1) (S/P)
54	5303208778	DISPENSER-BLEACH (S/P)
55	5303212876	SPRING-LID
56	131243800	SCREW-BRKT TOP,PAN HD LOCKING (S/P)

Distribuidor Autorizado

SurteRápido.com

Venta de Refacciones
Electrodomesticas

FWS777GHS0 TINAS



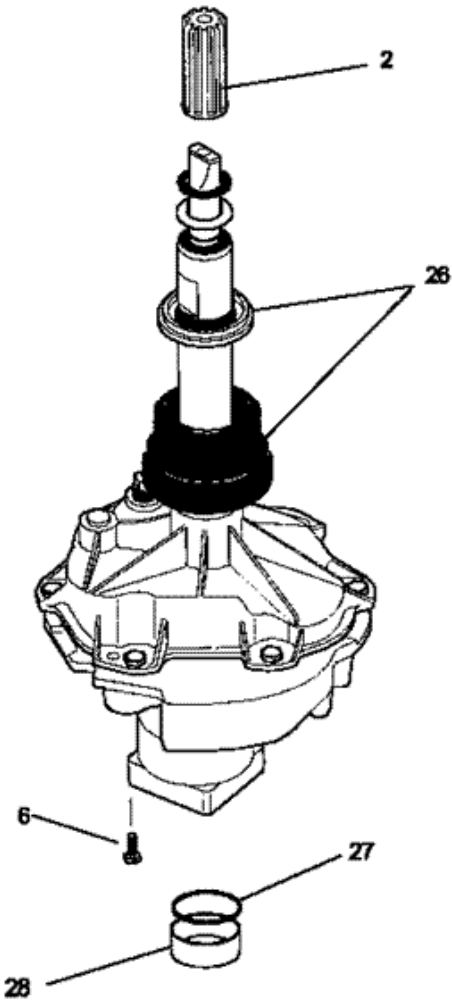
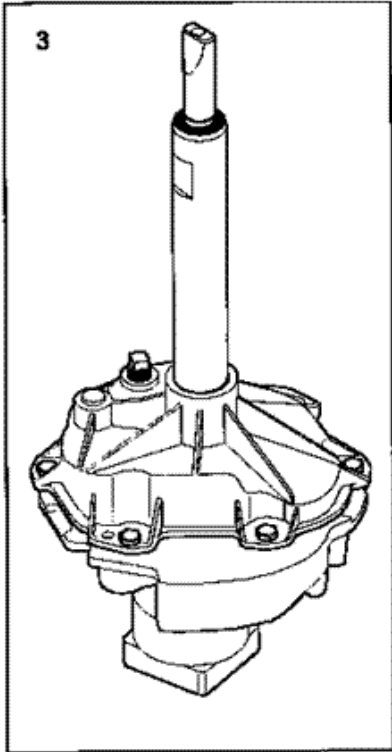


FWS777GHS0 TINAS

3	131551103	COVER-SPLASH TUB
4	131212301	CAPACITOR (S/P)
6	5303271009	HOSE-INLET (S/P)
7	5303161296	WASHER-INLET HOSE (S/P)
9	5303304824	CLAMP
10	131726300	HOSE AND NOZZLE
11	131605901	ASSY-AGITATOR-DUAL ACTION
12	131221310	TUB-SPIN (S/P)
13	5303283293	SCREW-TRUNNION,UNC2AX.625 ,.312-18 ,(5)
14	131192800	SCREW-LOCKPLATE,HX ,.312-18 X.1.625
15	5308001923	LOCK PLATE
16	131545101	TRUNNION
18	131557201	TUB-SPLASH,WAIR DOME,BRNG (S/P)
19	131205300	SCREW-DOOR,10-16X.75 (S/P)
20	3205150	SCREW-TUB BEARING,PPH B ST/Z ,8-12 X 0.750 (S/P)
21	5308002401	WASHER,SPIN BEARING ,UPPER (S/P)
22	131373610	LEG & DOME ASSY
23	5303208858	SPRING-VERTICAL,SHORT
23	5303208860	SPRING-VERTICAL
24	131373900	SPRING-HORIZONTAL
26	3204405	BEARING-OUTER TUB
27	5303304825	SCREW-SET,HHD CUP PT ,5/16-18X.85 (S/P)
28	131686100	BELT-WASHER
29	131498300	PULLEY-TRANSMISSION
30	131862900	ASMY-VAW IDLER ARM
33	3204425	SPRING-TORSION
34	3204426	SLEEVE-IDLER
35	3161433	RING-RETAINING
36	5303261031	WASHER-PIVOT SHAFT
37	5303161306	WASHER-SPRING
38	5303318708	NUT-MOTOR (S/P)
40	131902700	ASMY-MOTOR/PULLEY 3/4HP 2SP
41	131513300	SHIELD-MOTOR (S/P)

43	134051200	ASMY-PUMP
45	131461200	HOSE-DRAIN,90 INCH
47	131306234	CLAMP-HOSE TO TUB (S/P)
48	131306234	CLAMP-PUMP (S/P)
49	131494800	HOSE-PUMP TO TUB
51	131659000	SCREW-LEG,HWH TYP23 ,5/16-18X.875 (S/P)
52	131315800	WASHER-LEG,IDX.040 ,1.25 ODX.335 (S/P)
53	5300771996	TUBE-PRESSURE (S/P)
56	131468900	SCREW-AGITATOR,HWH SHLDR ,5/16-18X1.250 (S/P)
57	131339600	SPACER-AGITATOR (S/P)
58	131464900	SCREW-PUMP-TO BRACKET (S/P)
62	131258400	SCREW-FRONT PNL,COMB TH AB (S/P)
66	131624500	CUP/CAP ASSY (S/P)
67	131606210	CAP ASSEMBLY
68	131707800	RING-DRAIN HOSE (S/P)

FWS777GHS0 TRANSMISION





FWS777GHS0 TRANSMISION

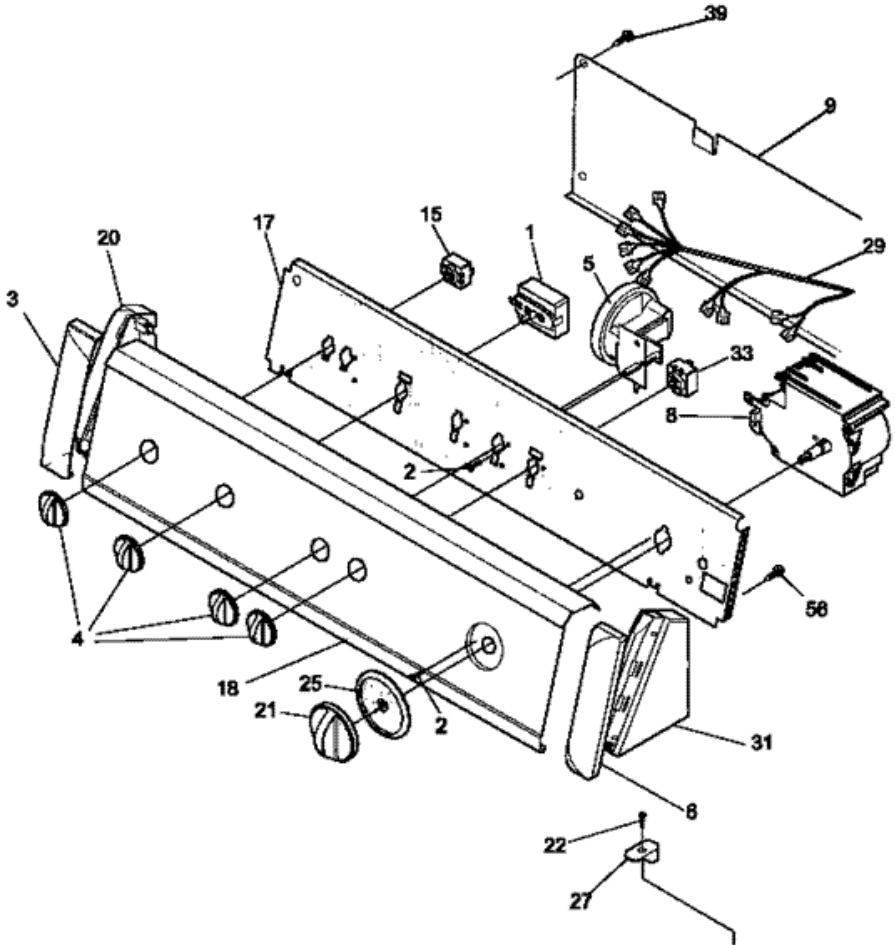
2	134418700	HUB-DRIVE
3	134737100	ASMY-TRANS H+ DAA HELICAL GEAR
6	131346600	SCREW (S/P)
26	5308950197	SEAL-TUB
27	131784300	WASHER-TRANS-BRG BLOCK-KOY DESCONTINUADO
28	131784400	SPACER-TRANS BRG BLOCK-KOYO (S/P)

Distribuidor Autorizado

SurteRápido.com

Venta de Refacciones
Electrodomesticas

FWS777GHS0 TABLERO





FWS777GHS0 TABLERO

1	131120400	SWITCH-SPEED
2	131168200	SCREW,8-18 X 0.31 (S/P)
3	131122611	COVER-END CAP,WHITE ,LH (S/P)
4	131141105	KNOB-ROTARY,WHITE/GRAY
5	134680100	SWITCH-PRESSURE
6	131122601	COVER-END CAP,WHITE ,RH (S/P)
8	131856400	TIMER-ELEC Y
9	134088700	BACKSHEET-CONSOLE (S/P)
15	131081200	SWITCH-TEMPERATURE
17	131580006	BRACKET-CONTROL (S/P)
18	131945500	TRIMPLATE FDA7YRSF DESCONTINUADO
20	131122711	END CAP,WHITE ,LH
21	131592001	KNOB-TIMER
22	131266300	SCREW-END CAP,CR OVAL HEAD (S/P)
25	131592103	DIAL-TIMER (S/P)
27	131197000	CLIP-CONTROL PANEL (S/P)
29	131947500	HARN-Y-ROT SP/TEMP/3OP (S/P)
31	131122701	END CAP,WHITE ,RH
33	134407700	SWITCH-TEMPERATURE (S/P)
39	131205100	SCREW,8 PAN HEAD ,10-10B X 0.50 (S/P)
56	131243800	SCREW-BRKT TOP,PAN HD LOCKING (S/P)