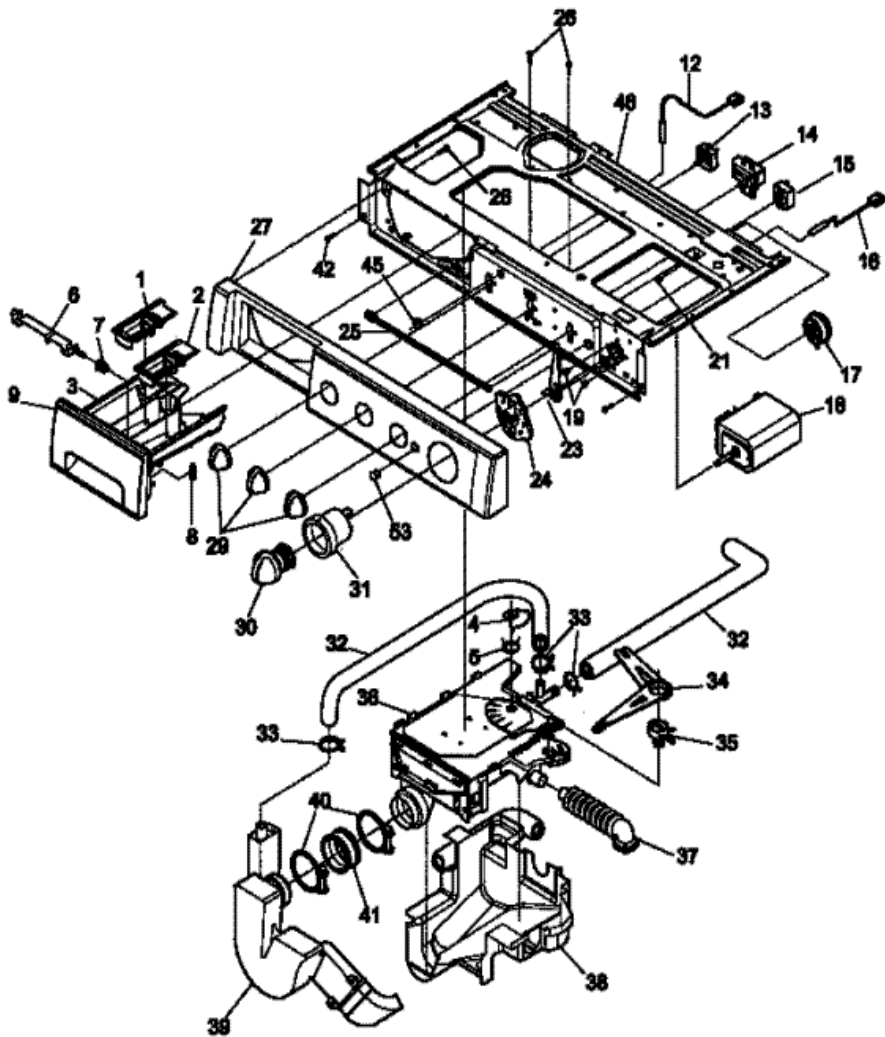


Distribuidor Autorizado

SurteRápido.com

Venta de Refacciones
Electrodomesticas

FWT449GFS0 TABLERO





FWT449GFS0 TABLERO

1	131272100	COVER-BLEACH (S/P)
2	131272000	COVER-SOFTENER (S/P)
3	131271910	DRAWER-DISPENSER (S/P)
4	131271300	PIN (S/P)
5	131271200	SPRING (S/P)
6	131374500	LATCH-HANDLE (S/P)
7	131427500	SPRING (S/P)
8	131373800	MAGNET (S/P)
9	131691200	DESCONTINUADO
12	131505902	SWITCH-REED (S/P)
13	134399000	SWITCH-WATER TEMP (S/P)
14	134087000	BUZZER (S/P)
15	134904500	SWITCH-ON/OFF (S/P)
16	131349000	LIGHT-PILOT (S/P)
17	134433701	SWITCH-PRESSURE (S/P)
18	131800500	TIMER (S/P)
19	131670300	SCREW-TIMER, (S/P)
21	131243700	SCREW,PAN HEAD , (S/P)
23	131270200	LEVER-CAM (S/P)
24	131856300	CAM-TIMER (S/P)
25	131271400	ROD (S/P)
26	131205100	SCREW,8 PAN HEAD , (S/P)
27	131691007	DESCONTINUADO
28	131691007	DESCONTINUADO
29	131761704	KNOB-ROTARY
30	131446202	ASMY-TIMER KNOB WHITE
31	131716300	DIAL-TIMER-WHITE
32	131272400	HOSE-SIPHON/FILL (S/P)
33	131306215	CLAMP (S/P)
34	131465200	ARM-PIVOT (S/P)
35	131271500	DISP-ECCENTRIC (S/P)
36	131270310	DISPENCER ASSY (S/P)
37	131271600	HOSE-TUB (S/P)
38	131351000	DESCONTINUADO
39	131863300	DUCT-FILL (S/P)

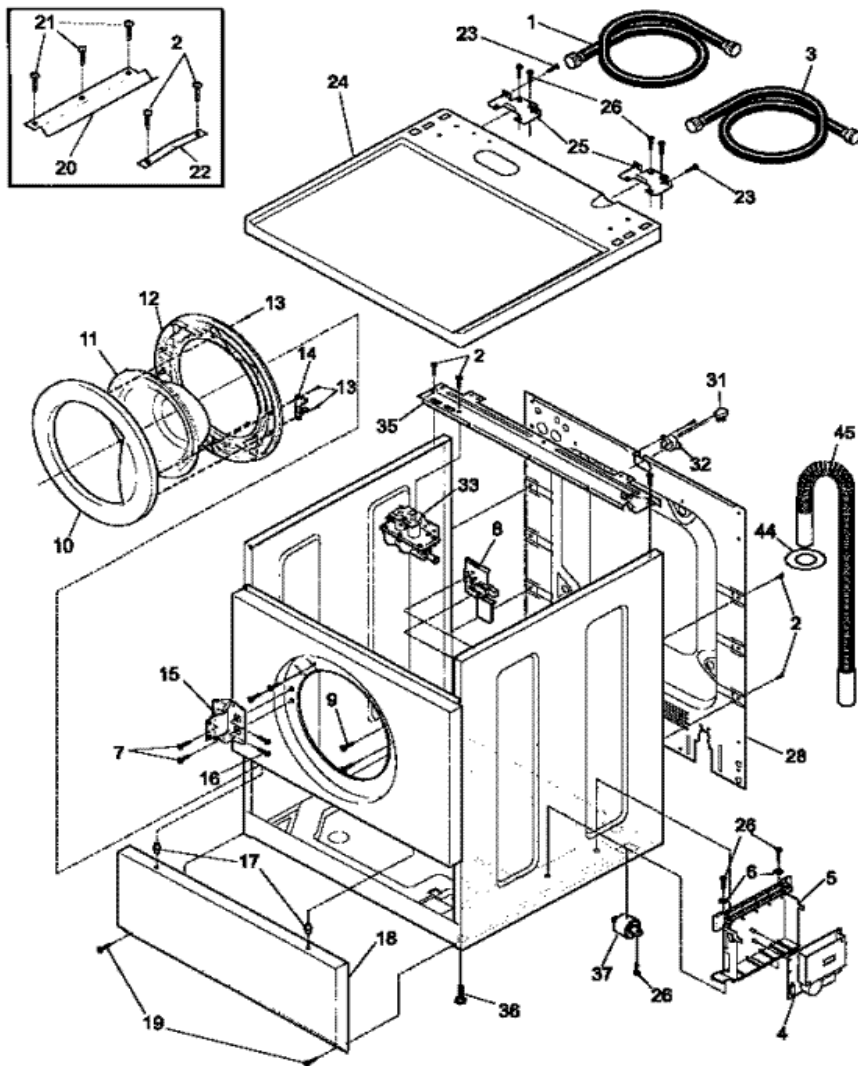
40	131333100	CLAMP (S/P)
41	131272200	RING-JUNCTION (S/P)
42	131168200	SCREW,8-18 X 0.31 (S/P)
45	5303321107	BUSHING (S/P)
46	131730600	BRACKET-CONTROLS (S/P)
53	131269601	LENS-PILOT LIGHT (S/P)
70	5303015671	SCREW,8-18 X .375 (S/P)

Distribuidor Autorizado

SurteRápido.com

Venta de Refacciones
Electrodomesticas

FWT449GFS0 GABINETE





FWT449GFS0 GABINETE

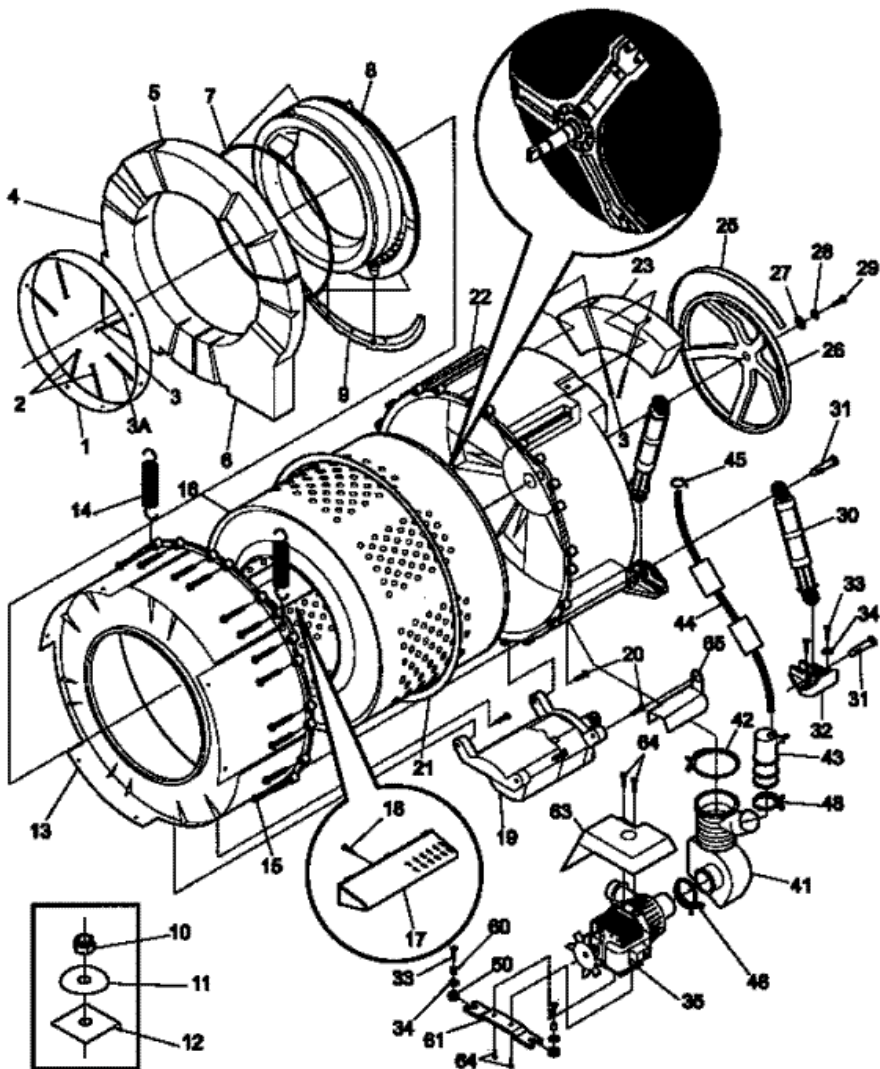
1	131279600	ASMY-INLET HOSE COLD (S/P)
2	131168200	SCREW,8-18 X 0.31 (S/P)
3	131279600	ASMY-INLET HOSE-HOT (S/P)
4	131725300	CONTROL SPEED
5	131268900	BOX-CONTROL (S/P)
6	5303304015	WASHER .21X.71X.06,.21X.71X.06 (S/P)
7	131205300	SCREW-DOOR,10-16X.75 (S/P)
8	131888900	LOCK-DOOR ASSY
9	131303300	SCREW-LOCK,PH AB ,10-16X.50 (S/P)
10	131278700	DOOR-OUTER (S/P)
11	131278800	GLASS-DOOR (S/P)
12	131278900	DOOR-INNER (S/P)
13	131302901	SCREW,10-16X.75 (S/P)
14	131279001	CATCH-DOOR
15	134264600	HINGE-DOOR (S/P)
16	131696300	SCREW 10-16X.312 QUAD PN HD (S/P)
17	131346400	PIN-LOCATING (S/P)
18	131279300	PANEL-SERVICE WHITE (S/P)
19	131358400	SCREW-PANEL,HWHHD AB ,8-18X1.125 (S/P)
20	131460900	BRACKET-TOP FRONT (S/P)
22	131279500	RETAINER-SPRING (S/P)
23	131243800	SCREW-BRKT TOP, (S/P)
24	134086842	PANEL-TOP (S/P)
25	131668200	BRACKET-TOP PNL (S/P)
26	131311900	SCREW,QUADREX PH AB ,8-18X1/2 (S/P)
28	131978500	PANEL-BACK (S/P)
31	134501000	CORD-SERVICE (S/P)
32	5303209428	BUSHING-CORD (S/P)
33	134190200	VALVE-WATER
35	131732902	BACK REINFORCEMENT (S/P)
36	5304463780	LEG,PAD/NUT (S/P)
37	131304200	ROLLER ASSY (S/P)
44	131707800	RING-DRAIN HOSE,68 (S/P)
45	131461200	HOSE-DRAIN,90 INCH

Distribuidor Autorizado

SurteRápido.com

Venta de Refacciones
Electrodomesticas

FWT449GFS0 TINA





FWT449GFS0 TINA

1	131793400	RING-WEIGHT (S/P)
2	131793301	BOLT,1/4-20X4.50 (S/P)
3	131793300	BOLT,1/4-20X4.05 (S/P)
4	131995000	WEIGHT-LWR LEFT (S/P)
5	131995000	WEIGHT-TOP FRONT (S/P)
6	131851900	WEIGHT-LWR RIGHT (S/P)
7	131277300	SPRING-BOOT (S/P)
8	5303937187	BOOT
9	131732902	BACK REINFORCEMENT (S/P)
10	131304700	NUT (S/P)
11	131276900	WASHER-SPRING (S/P)
12	131793500	PLATE-WEIGHT (S/P)
13	131618600	SHELL-FRONT TUB (S/P)
14	134144700	SPRING/SLEEVE (S/P)
15	131303900	SCREW,HXWHD A ,1/4-10X2.165 (S/P)
16	131618500	TUB-SPIN (S/P)
17	131274600	VANE (S/P)
18	131302800	SCREW-VANE,QUAD PH AB ,10-16X.375 (S/P)
19	131276200	MOTOR-MAIN,850 (S/P)
20	131303500	SCREW-MOTOR,HWHD AB ,12-14X1.50 (S/P)
21	134146100	SEAL-SHELL (S/P)
22	131525500	SHELL-REAR/BEARING (S/P)
23	134125900	WEIGHT-REAR TOP (S/P)
25	134051000	BELT
26	131883400	PULLEY-DRUM (S/P)
27	131304400	WASHER,.41X1.500X.120 (S/P)
28	131304500	WASHER-LOCK,3/8 (S/P)
29	131303700	SCREW-PULLEY,M10X.92 (S/P)
30	134564200	LEVEL-SHOCK (S/P)
31	131268300	PIN-LEVEL (S/P)
32	131268100	BRACKET-SHOCK (S/P)
33	131303100	SCREW,HWHD AB ,10-16X.625 (S/P)
34	5303304015	WASHER .21X.71X.06,.21X.71X.06 (S/P)
35	131268401	PUMP-DRAIN
41	131384700	TRAP

42	134737300	CLAMP (S/P)
43	131277500	CHAMBER-AIR (S/P)
44	131277600	TUBE-PRESSURE (S/P)
45	131306202	CLAMP (S/P)
48	131306234	CLAMP-PUMP (S/P)
50	131268600	GROMMET-PUMP (S/P)
60	131268700	SPACER-PUMP (S/P)
61	131268500	BRACKET-PUMP (S/P)
63	131351500	DESCONTINUADO
64	5303283072	SCREW,PUMP/BRK/SHIELD (S/P)
65	131702200	SHIELD-MOTOR (S/P)