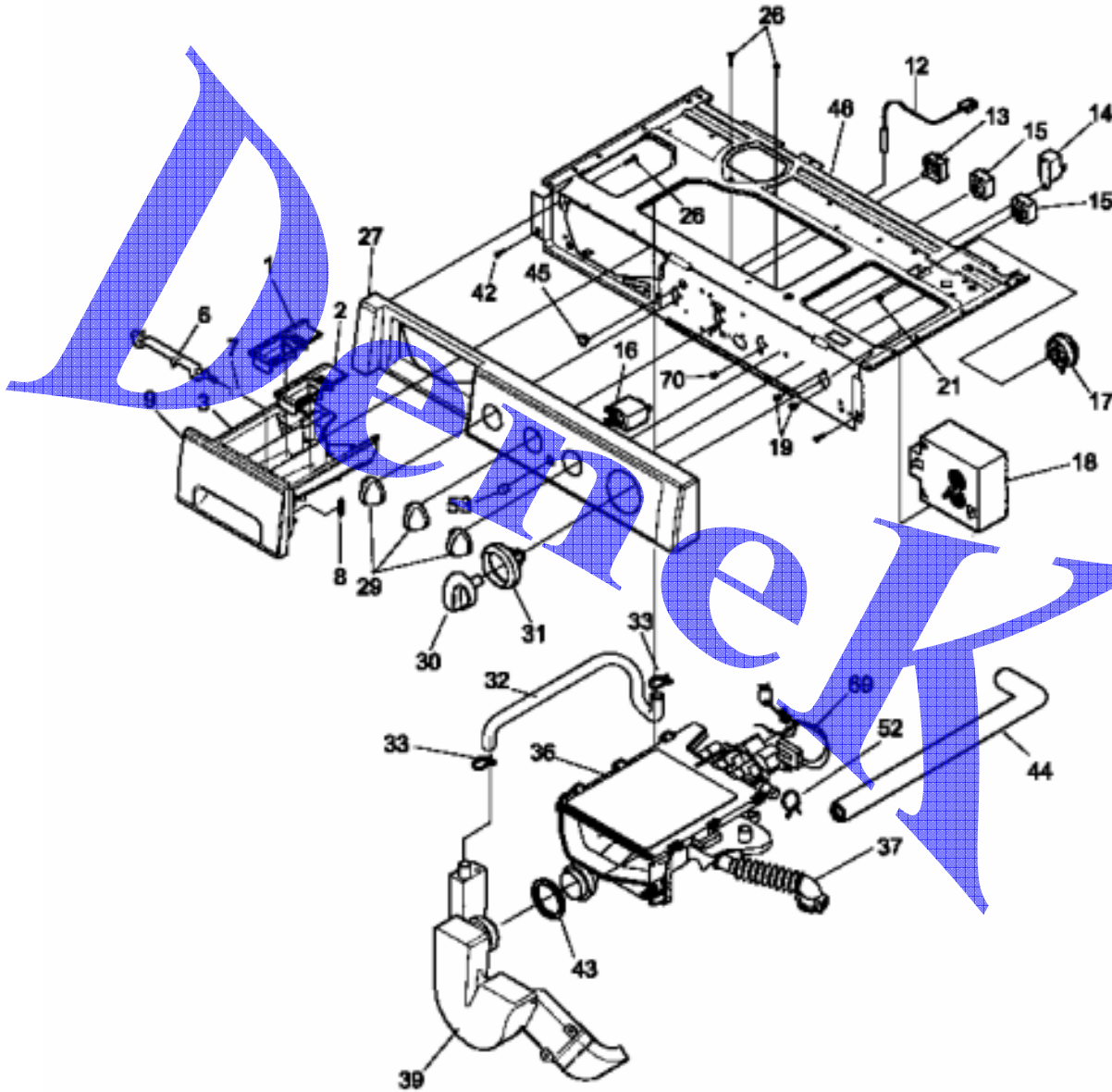


LAV. WPL. MODEL. FWT647GHS0

PANEL DE CONTROL



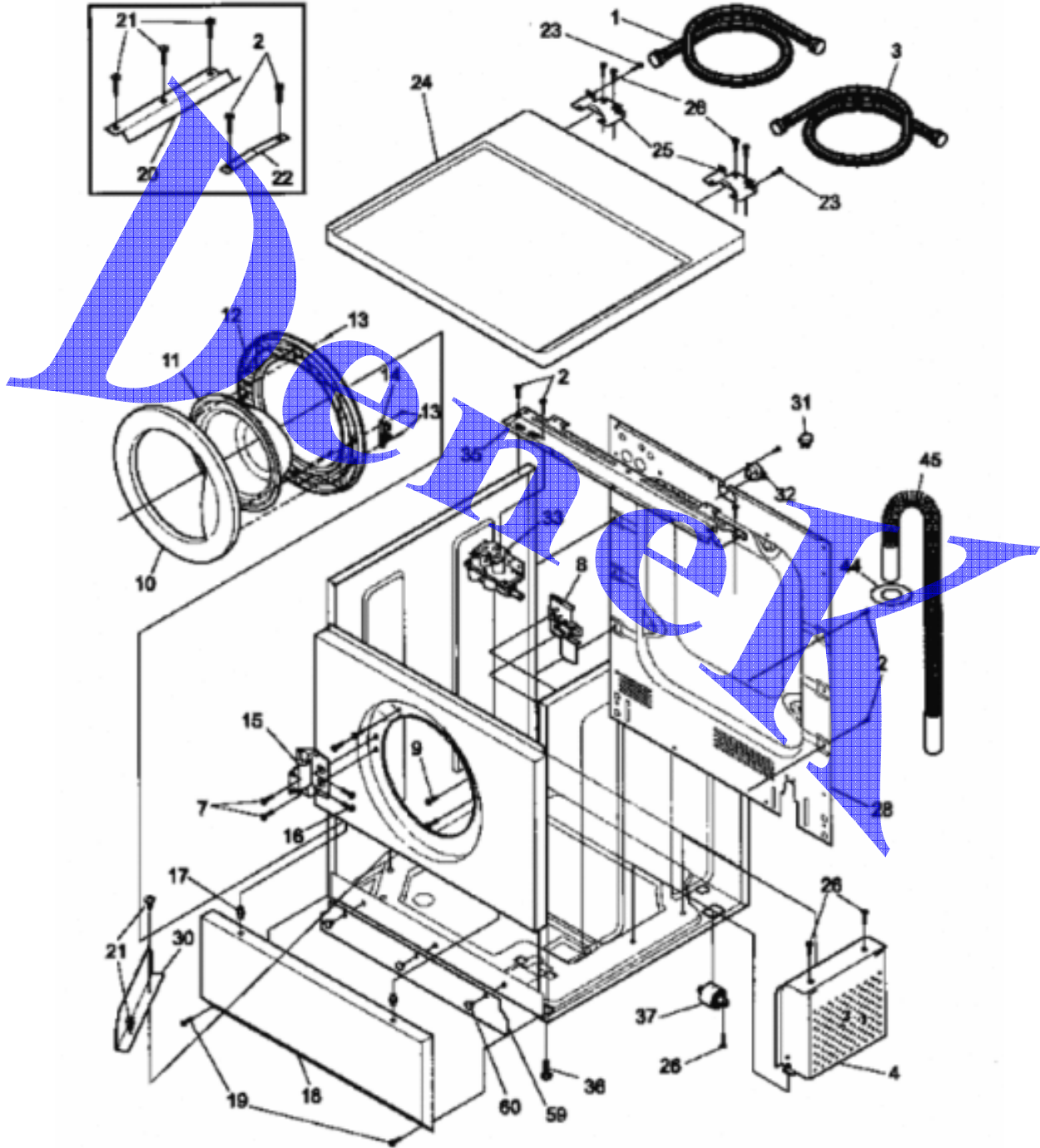
LAV. WPL. MODEL. FWT647GHS0

PANEL DE CONTROL

NUMERO	N. DE PARTE	DESCRIPCION
*1776	131899200	HARNES-SOLE/MALLORY
	131307900	CLAMP
	131931200	VIBRATION DAMPENER
1	131272100	COVER-BLEACH
2	131272000	COVER-SOFTENER
3	131271910	ASMY-DISP DRAWER HANDLE
6	131374500	LATCH-HANDLE
7	131427500	SPRING
8	131373800	MAGNET
9	131691229	ASMY-DISP DRWR/HANDLE/TRIM
12	131505900	SWITCH-REED
13	131729000	SWITCH-WATER TEMP
14	131724500	BUZZER
15	131243200	SWITCH-EXTRA RINSE/SPEED
16	131724700	LIGHT-PILOT
17	131273700	SWITCH-PRESSURE
18	131802100	TIMER-WASHER MALLORY FHP
19	131243800	SCREW-BRKT TOP,PAN HD LOCKING ,8-32CA X 0.375,CR/SQ DRIV
21	215822000	SCREW,PAN HEAD ,8-18AB X 0.375 ,39 ,CR/SQ DRIVE
26	131823400	SCR 8-18X2.000
27	131887280	ASMY-CONS FRAME/TRIM
29	131761704	KNOB-ROTARY
30	131853500	KNOB-TIMER
31	131853900	POINTER-TIMER WHT/DRK GRAY IND
32	131786100	HOSE-DISPENSER
33	131306215	CLAMP
36	131803700	ASMY-DETERGENT DISPENSER
37	131271600	HOSE-TUB
39	131863300	DUCT-FILL
42	131168200	SCREW,8-18 X 0.31
43	131749200	GASKET-SEAL
44	131786000	HOSE-DISPENSER
45	5303321107	BUSHING
46	134191412	PANEL-CONT MTG-WING BEND
52	131306242	CLAMP
53	131724800	LENS-PILOT LIGHT
69	131907500	HARNES-DISPENSER
70	5303015671	SCREW,8-18 X .375

LAV. WPL. MODEL. FWT647GHS0

PUERTA



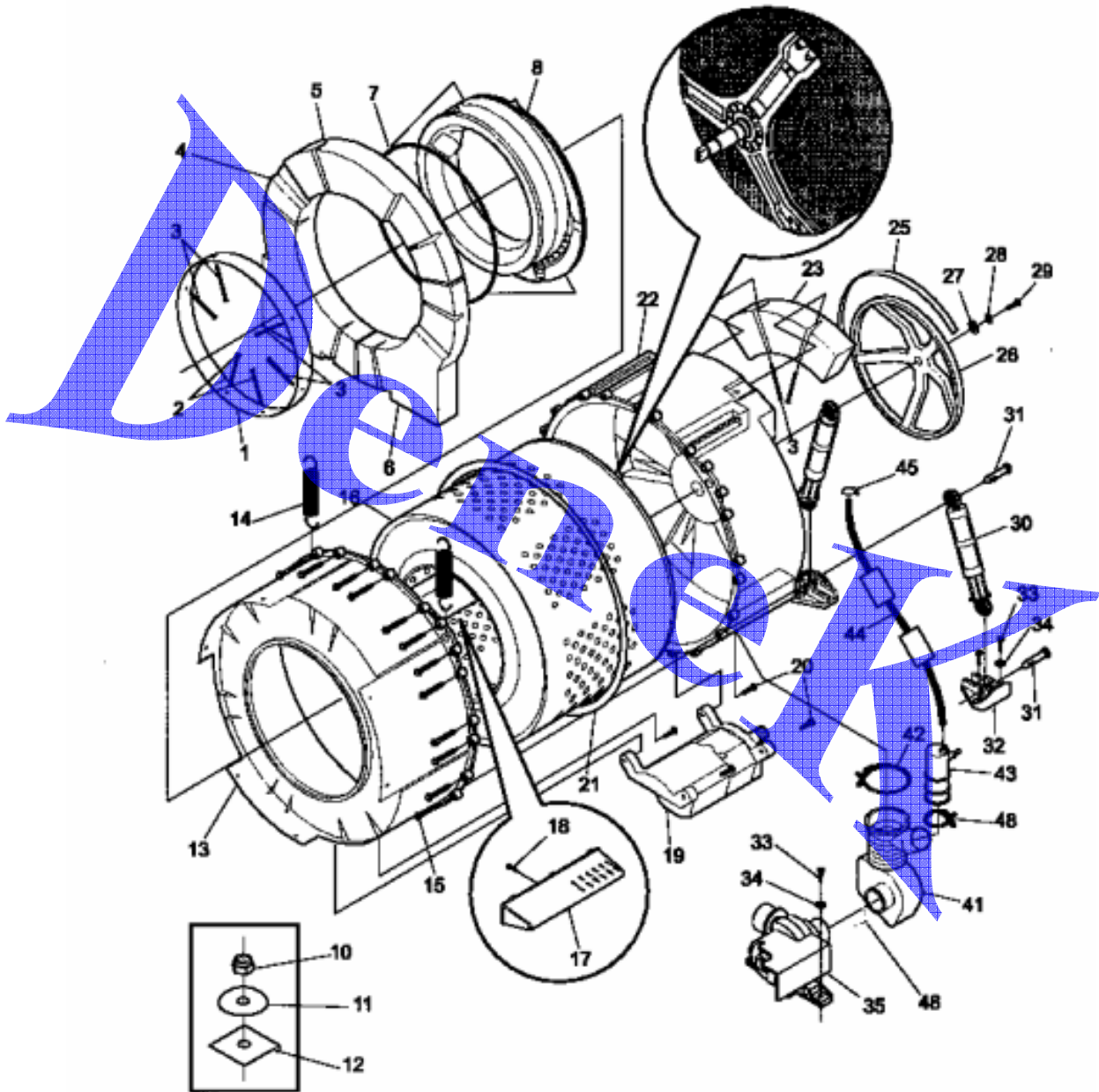
LAV. WPL. MODEL. FWT647GHS0

PUERTA

NUMERO	N. DE PARTE	DESCRIPCION
*1776	131453001	BUSHING-TOP PANEL
1	N6561384	ASMY-INLET HOSE COLD
2	131168200	SCREW,8-18 X 0.31
3	N6561384	ASMY-INLET HOSE-HOT
4	131770700	SPEED CONT-MALLORY/SOLE MOTOR
7	131205300	SCREW-DOOR,10-16X.75
8	131763200	DOOR LOCK/SWITCH USCC
9	131302800	SCREW-LOCK,PH AB ,10-16X.50
10	131278700	DOOR-OUTER
11	131278800	GLASS-DOOR
12	131278900	DOOR-INNER
13	131302901	SCREW,10-16X.75
14	131763300	CATCH-INTERIOR DOOR FRAME
15	131269300	HINGE-DOOR
16	131696300	SCREW 10-16X.312 QUAD PN HD
17	131346400	PIN-LOCATING
18	131279300	PANEL-SERVICE WHITE
19	131358400	SCREW-PANEL,HWHHD AB ,8-18X1.125
20	131460900	BRACKET-TOP FRONT
21	215822000	SCREW,PAN HEAD ,8-18AB X 0.375 ,39 ,CR/SQ DRIVE
22	131279500	RETAINER-SPRING
23	131243800	SCREW-BRKT TOP,PAN HD LOCKING ,8-32CA X 0.375,CR/SQ DRIV
24	131677308	PANEL-TOP
25	131668200	BRACKET-TOP PNL
26	131311900	SCREW,QUADREX PH AB ,8-18X1/2
28	131734800	PANEL-BACK
30	131919400	SHIELD-OVERFLOW
31	5303208765	CORD-SERVICE
32	5303209428	BUSHING-CORD
33	5303207418	VALVE-WATER
35	131732900	BACK REINFORCEMENT
36	131003900	LEG,PAD/NUT
37	131304200	ROLLER ASSY
44	131707800	RING-DRAIN HOSE
45	131461200	HOSE-DRAIN,90 INCH
59	131744301	BARRIER-NOISE
60	131362400	FASTENER

LAV. WPL. MODEL. FWT647GHS0

TINAS



LAV. WPL. MODEL. FWT647GHS0

TINAS

NUMERO	N. DE PARTE	DESCRIPCION
*1776	131560000	SLEEVE-LOWER SPRING,TUB
	131592200	SLEEVE-UPPER SPRING,TUB
1	131793400	RING-WEIGHT
2	131793301	BOLT-CARRIAGE 1/4-20X4.5
3	131793300	BOLT-CARRIAGE 1/4-20X4.15
4	131276500	WEIGHT-LWR LEFT
5	131276600	WEIGHT-TOP FRONT
6	131851900	COUNTERWEIGHT-LOWER RIGHT
7	131277300	SPRING-BOOT
8	131277100	BELLOWS
10	131304700	NUT
11	131276900	WASHER-SPRING
12	131793500	PLATE-WEIGHT
13	131618600	SHELL-FRONT TUB
14	131663600	SPRING/SLEEVE
15	131303900	SCREW,HXWHD A ,1/4-10X2.165
16	131618500	TUB-SPIN
17	131274600	VANE
18	131302800	SCREW-VANE,QUAD PH AB ,10-16X.375
19	131770600	MOTOR-SOLE
20	131303500	SCREW-MOTOR,HWHD AB ,12-14X1.50
21	131275900	SEAL-SHELL
22	131462800	SHELL-REAR/BEARING
23	134125900	WEIGHT-UPPER BACK
25	131276300	BELT
26	131632500	PULLEY-DRUM
27	131304400	WASHER,.41X1.500X.120
28	131304500	WASHER-LOCK,3/8
29	131303700	SCREW-PULLEY,M10X.92
30	131268200	LEVEL-SHOCK
31	131268300	PIN-LEVEL
32	131268100	BRACKET-SHOCK
33	131303100	SCREW,HWHD AB ,10-16X.625
34	5303304015	WASHER .21X.71X.06. 21X.71X.06
35	131889800	PUMP-DRAIN H AXIS WSHR 40MM
41	131784700	HOSE-COIN TRAP-TUB TO PUMP
42	131333101	CLAMP
43	131277500	CHAMBER-AIR
44	131277600	TUBE-PRESSURE
45	131306202	CLAMP
48	131306234	CLAMP-PUMP