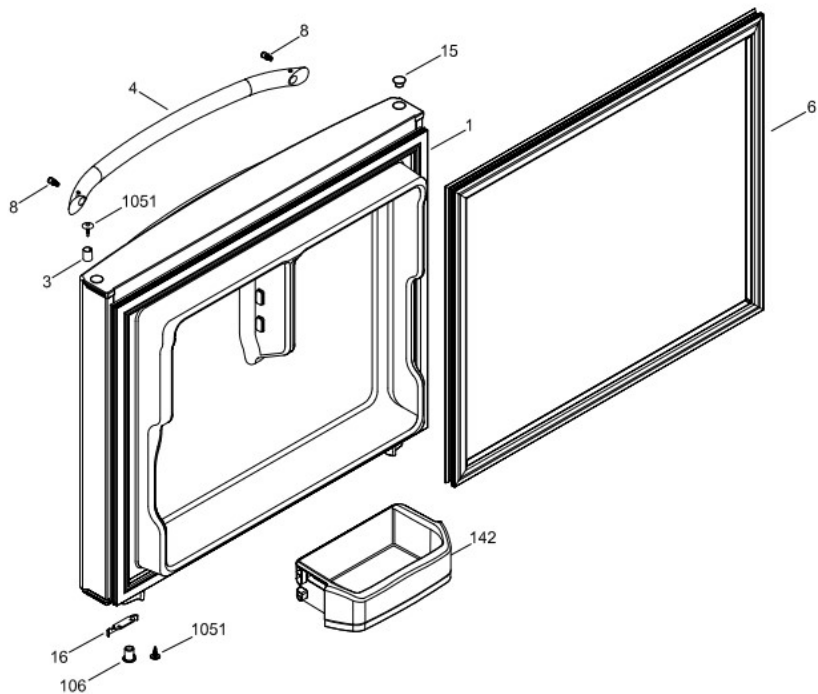


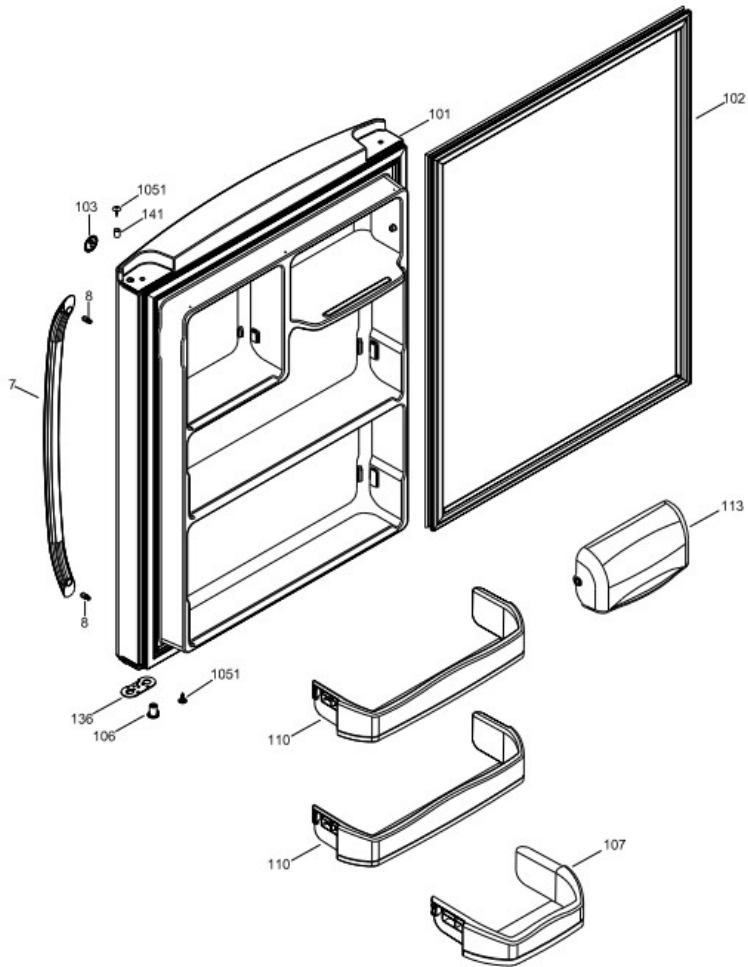
PUERTA CONGELADOR

GBMLOGAXFRGS



PUERTA ENFRIADOR

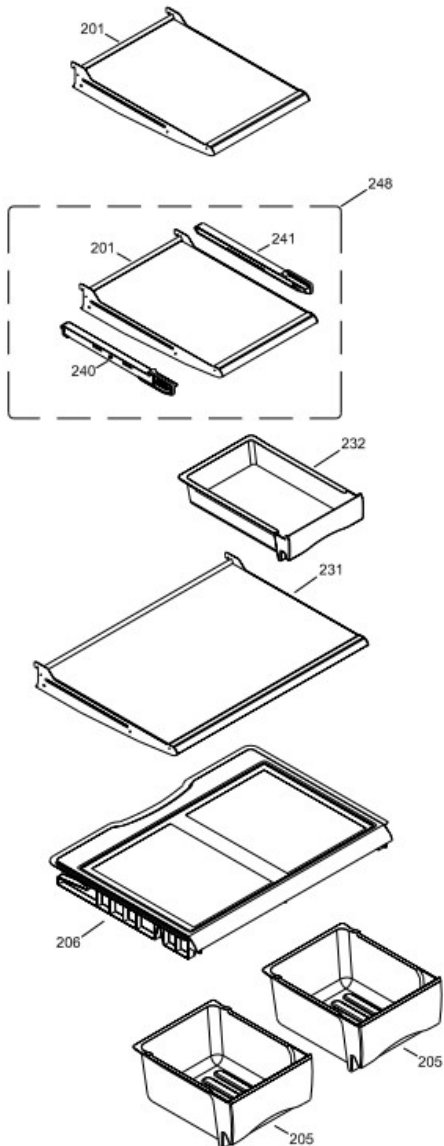
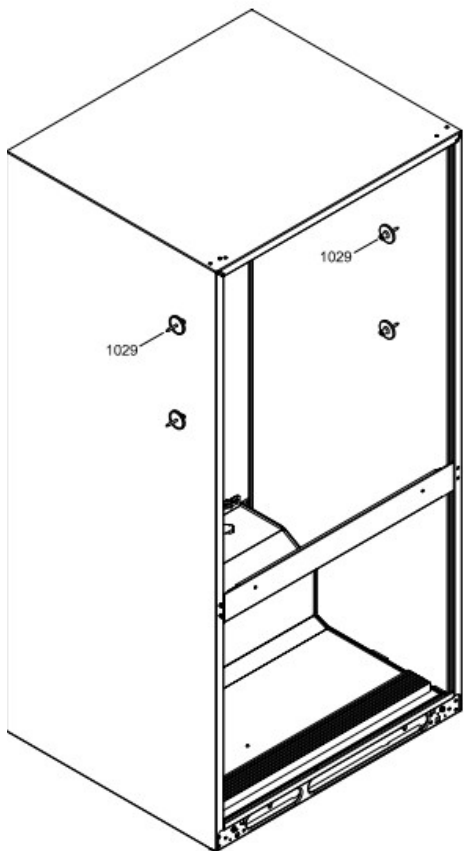
GBMLOGAXFRGS



# Refrigerador Mabe GBMLOGAXFRGS

CONSERVADOR DE ALIMENTOS

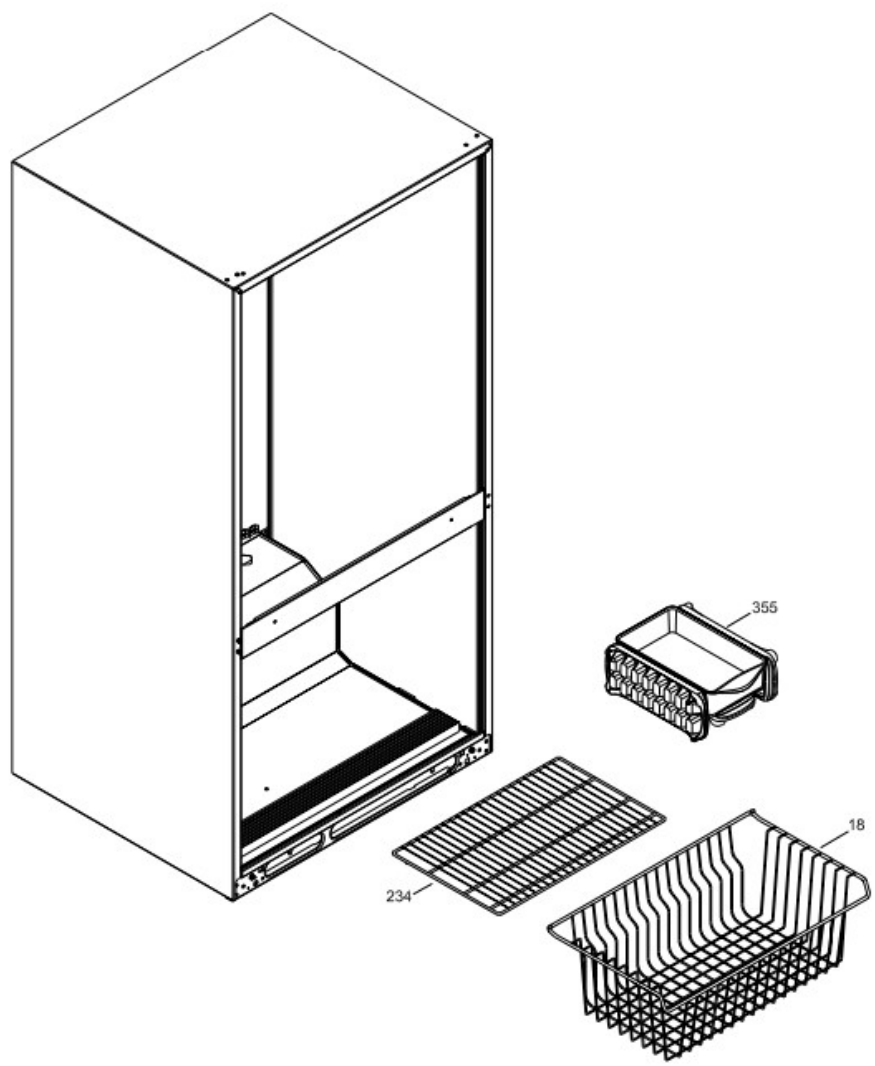
GBMLOGAXFRGS



# Refrigerador Mabe GBMLOGAXFRGS

PARTES CONGELADOR DE ALIMENTOS

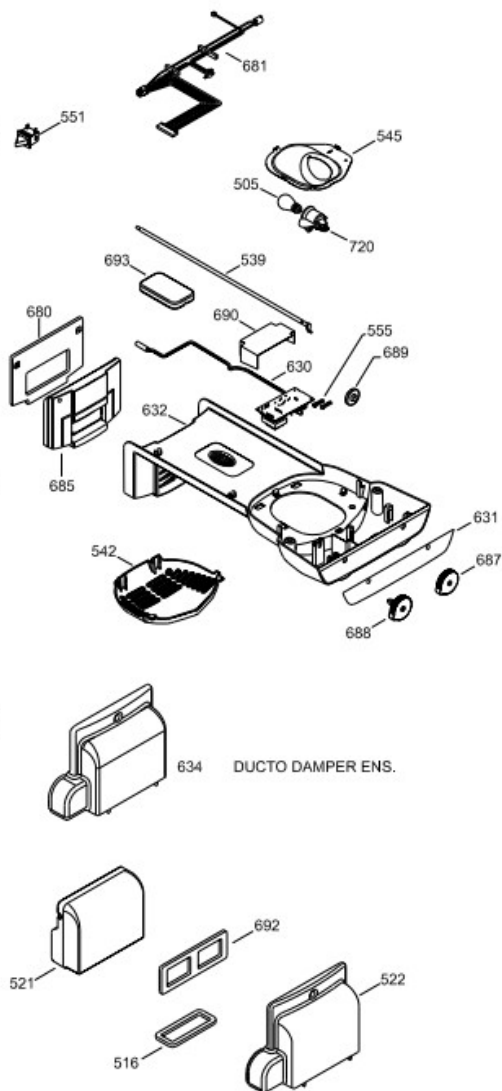
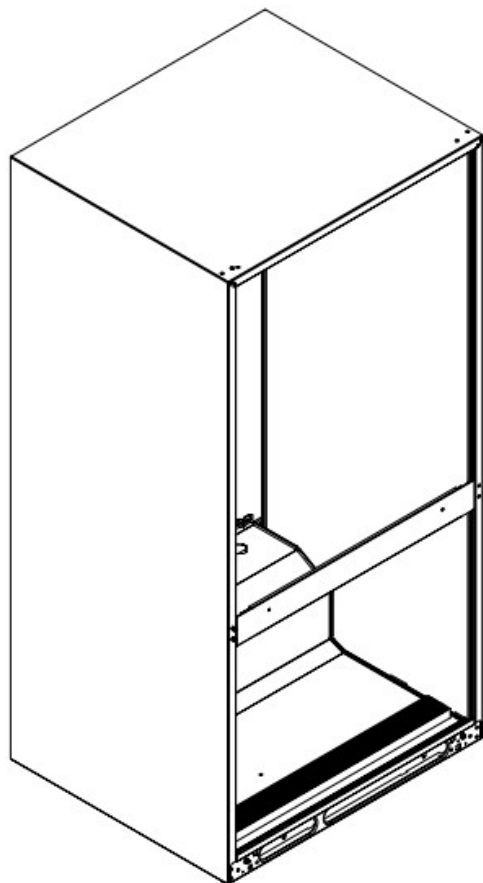
GBMLOGAXFRGS



# Refrigerador Mabe GBMLOGAXFRGS

PARTES CONSERVADOR DE ALIMENTOS

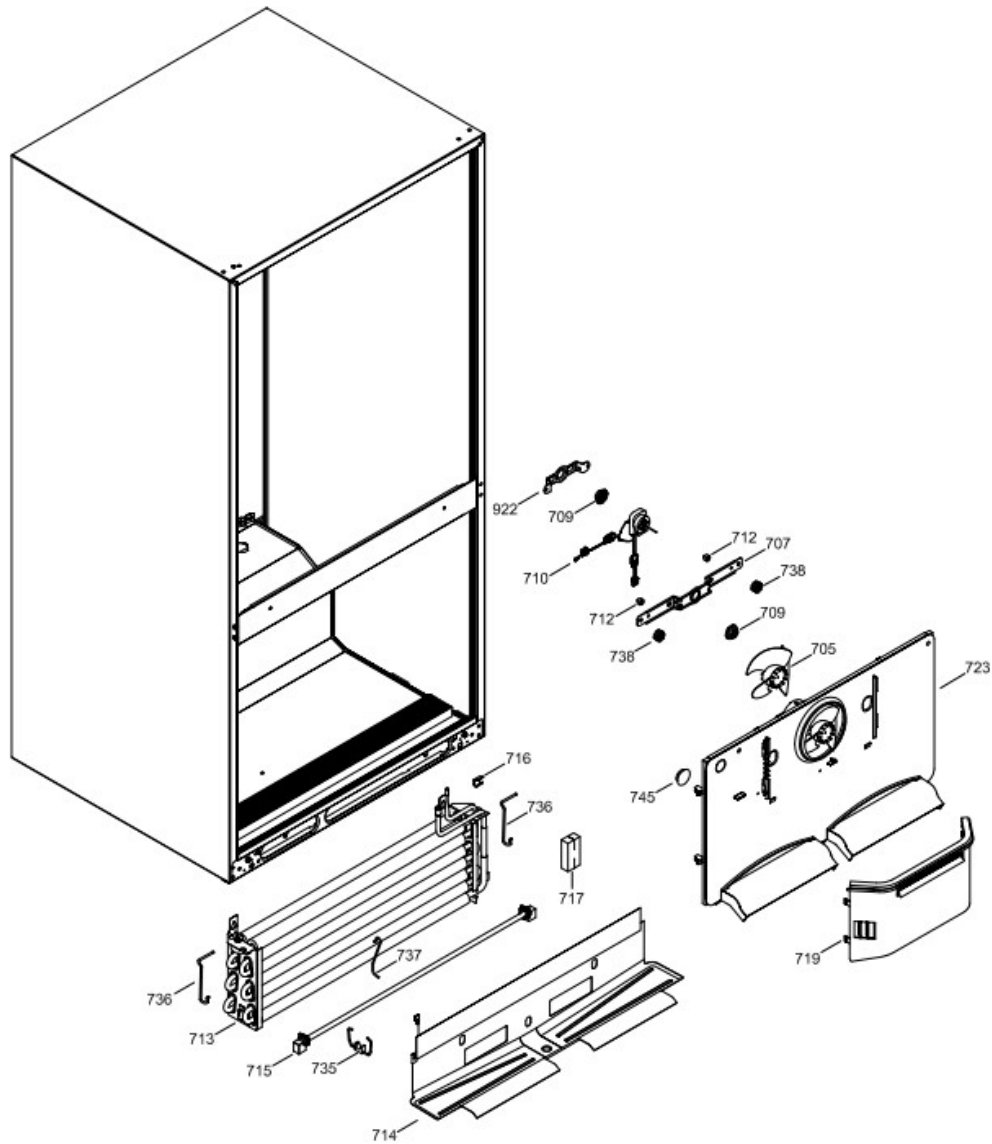
GBMLOGAXFRGS



Refrigerador Mabe GBMLOGAXFRGS

PARTES CONGELADOR DE ALIMENTOS

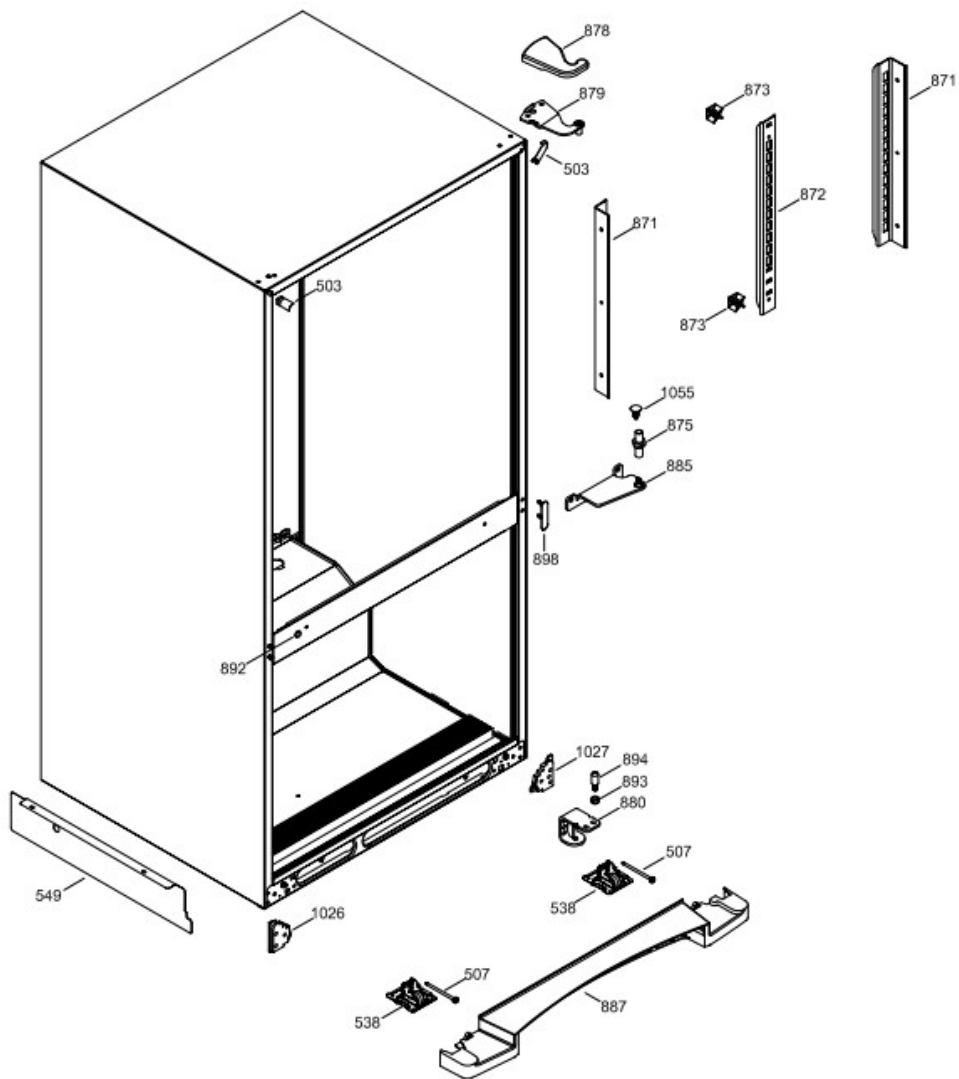
GBMLOGAXFRGS



# Refrigerador Mabe GBMLOGAXFRGS

PARTES BISAGRAS DEL REFRIGERADOR

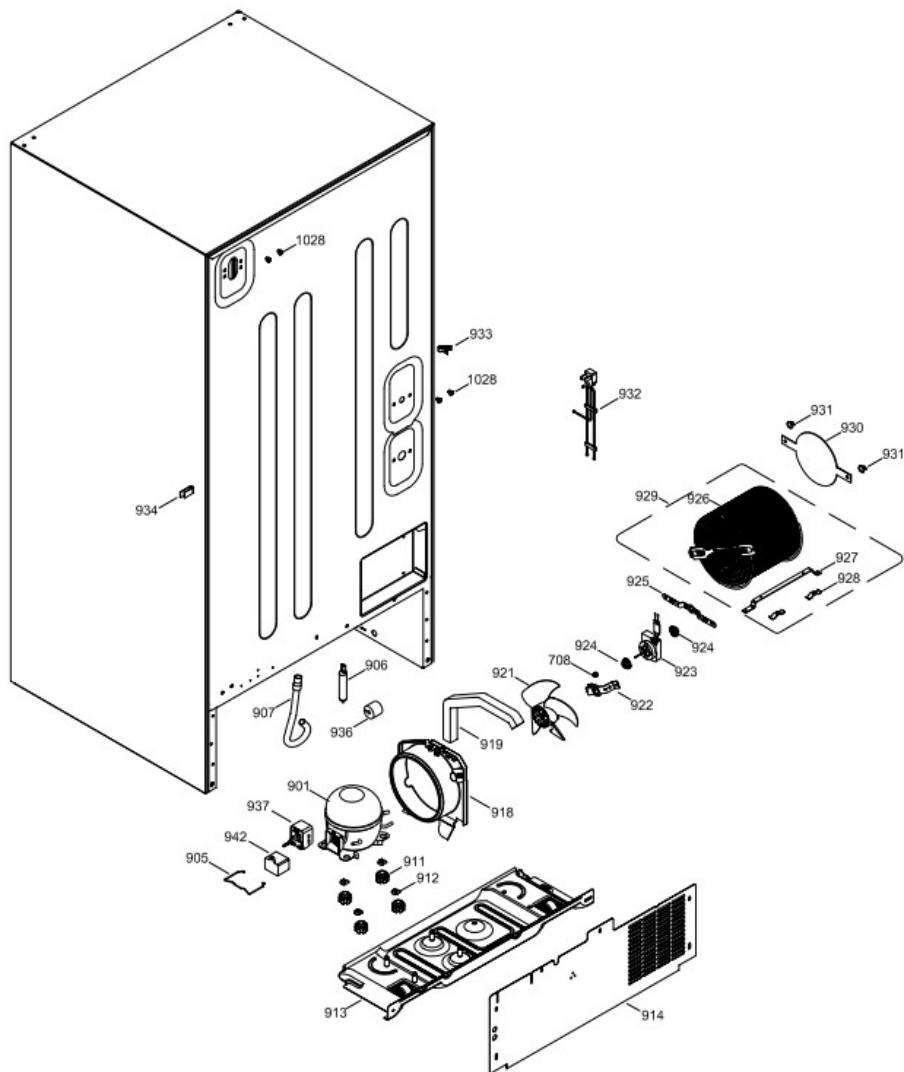
GBMLOGAXFRGS



# Refrigerador Mabe GBMLOGAXFRGS

UNIDAD REFRIGERANTE Y TARJETA PRINCIPAL

GBMLOGAXFRGS







## Refrigerador Mabe GBMLOGAXFRGS

| Guía | Componente   | Descripción                    |
|------|--------------|--------------------------------|
| 1    | 200D8588G009 | DOOR FOAM FZ ASM               |
| 3    | 355B2134P001 | BUSHING HINGE                  |
| 4    | 200D9349G001 | HANDLE TUBULAR ASM             |
| 6    | 225D1574P013 | GASKET                         |
| 7    | 225D4852G001 | JALADERA ENSAMBLE              |
| 8    | 238C3595P001 | TORNILLO JALADERA              |
| 15   | 238C3466P004 | PLUG BUTTON THIMBLE            |
| 16   | 238C3036P004 | STOP DOOR                      |
| 18   | 200D8210P001 | BASKET LOWER FZ                |
| 101  | 200D8586G020 | PUERTA CONSERVADOR CURVA(GRIS) |
| 102  | 225D1574P010 | GASKET                         |
| 103  | 238C3576G001 | ENSAMBLE LOGOTIPO              |
| 106  | 238C3235P004 | THIMBLE DOOR FF                |
| 107  | 200D8428P004 | SHELF FIXED                    |
| 110  | 200D8426P004 | SHELF FIXED                    |
| 113  | 200D1887P001 | PUERTA DE LACTEOS              |
| 136  | 238C3019P004 | TOPE PUERTA REFRIG.            |
| 141  | 238C2207P001 | BUJE BISA 1GRA                 |
| 142  | 200D8618P004 | SHELF MODULE                   |
| 201  | 200D8672G001 | SHELF GLASS ASM                |
| 205  | 200D8144P001 | CAJON VEGETALES                |
| 206  | 200D8147G005 | COVER VEG PAN ASM              |
| 231  | 200D8672G002 | SHELF GLASS ASM                |
| 232  | 200D8146P001 | PAN SNACK                      |
| 234  | 200D8211P001 | SHELF FULL WIRE FIXED FZ       |
| 240  | 200D1314P002 | CORREDERA CAJON IZQUIERDA      |
| 241  | 200D1314P001 | CORREDERA CAJON                |
| 248  | 200D8419G001 | SHELF SNACK PAN CVR ASM        |



## Refrigerador Mabe GBMLOGAXFRGS

| Guía | Componente   | Descripción              |
|------|--------------|--------------------------|
| 355  | 200D4573G004 | ACCESSORIES ASM TM       |
| 503  | 200D1623P006 | ESQUINERO GABINETE       |
| 505  | 866354P039   | LAMPARA 60W 120V         |
| 507  | 238C1241P004 | TORNILLO MOVIL           |
| 516  | 200D8418P001 | GASKET FF INLET          |
| 521  | 225D1990G001 | DUCT FF ASM              |
| 522  | 200D9315P002 | COVER DAMPER DUCT        |
| 538  | 200D1253G008 | ENS. MOVIL FRONTAL       |
| 539  | 200D9887P001 | DAMPER SHAFT             |
| 542  | 200D9614P001 | CUBIERTA FOCO REFRIG     |
| 545  | 200D9612P001 | REFLECTOR LAMP FZ        |
| 549  | 200D9354P002 | DIVISOR AIRE HS          |
| 551  | 197D2805P001 | INTERRUPTOR              |
| 555  | 355B2574P001 | CLIP BAR                 |
| 630  | 225D1366G001 | BOARD CONTROL            |
| 631  | 225D2465P001 | GRAPHIC ART              |
| 632  | 200D9881P001 | HOUSING CONTROL          |
| 634  | 200D9321G002 | DAMPER DUCT ASM          |
| 680  | 200D9930P001 | GASKET VENT AIR          |
| 681  | 225D1032G003 | HARNESS FF CTRL & LT     |
| 685  | 238C3470G001 | DAMPER AND EPS ASM       |
| 687  | 355B2377P002 | KNOB THUMB CONTROL FF/FZ |
| 688  | 355B2377P001 | KNOB THUMB CONTROL FF/FZ |
| 689  | 355B2716P001 | KNOB THUMB MOTRIZ        |
| 690  | 355B2667P001 | PAPEL ALUMINIO CONG.     |
| 692  | 238C3023P001 | GASKET BACK DUCT         |
| 693  | 238C3610G001 | GASKET FOIL ASM          |
| 705  | 197D3131G007 | ASPA DE VENTILA          |



## Refrigerador Mabe GBMLOGAXFRGS

| Guía | Componente   | Descripción                    |
|------|--------------|--------------------------------|
| 707  | 238C3321P001 | BRACKET FAN EVAP FRONT         |
| 708  | 123C8091P002 | PARACHOQUES TAPA               |
| 709  | 203C5909P002 | REFUERZO EVAPORADOR/VE         |
| 710  | 238C3683G001 | MOTOR & JUMPER ASM             |
| 712  | 123C8091P004 | BUMPER LID                     |
| 713  | 225D1283G001 | SISTEMA DE BAJA PRESION        |
| 714  | 200D8670G001 | ENS CHAROLA DESHIELO           |
| 715  | 522979G057   | RESISTENCIA DE DESHIELO ENS    |
| 716  | 238C1676P001 | BROCHE DE TERMISTOR            |
| 717  | 355B1306P004 | BLOQUEADOR                     |
| 719  | 200D8600G001 | COVER EVAP FAN ASM             |
| 720  | 162D5209G004 | ENS. TERMINAL SOCKET           |
| 723  | 200D6600G003 | COVER EVAP FAN ASM             |
| 735  | 203C5538G002 | ENS. RETENEDOR                 |
| 736  | 203C5692P003 | CONDUCTOR DE CALOR P/ DESHIELO |
| 737  | 203C5692P005 | ALAMBRE CALEFACTOR             |
| 738  | 238C2684P002 | GROMMET EVAP FAN               |
| 745  | 464846P61    | TAPON CUBIERTA EVAPORADOR      |
| 871  | 225D1502P001 | TRACK SIDE FF                  |
| 872  | 200D1687G003 | CREMALLERA CENTRAL             |
| 873  | 238C1284P001 | SEPARADOR RIEL                 |
| 875  | 238C1135P001 | PIN HINGE CENTER               |
| 878  | 200D8673P004 | TAPA BISAGRA SUPERIOR          |
| 879  | 200D8628G004 | ENS. BISAGRA SUPERIOR          |
| 880  | 238C3044G002 | HINGE BOTTOM ASM               |
| 885  | 225D1897G001 | ENSAMBLE BISAGRA Y PERNO       |
| 887  | 200D8641P004 | REMATE FALDON                  |
| 892  | 238C2011P001 | TAPON TORNILLO MANGUETE        |



## Refrigerador Mabe GBMLOGAXFRGS

| Guía | Componente   | Descripción                    |
|------|--------------|--------------------------------|
| 893  | 355B1258G002 | SAFETY HEX. NUT 1/4            |
| 894  | 238C3047P001 | PIN HINGE BOTTOM               |
| 898  | 200D8528P001 | COVER MULLION SCREW            |
| 901  | 162D7542P066 | COMPRESOR                      |
| 905  | 197D6195P001 | CLIP RETENEDOR                 |
| 906  | 162D9086P004 | FILTRO DESHIDRATADOR           |
| 907  | 238C1355P002 | TUBO DESHIELO                  |
| 911  | 203C5262P001 | ARANDELA COMPRESOR             |
| 912  | 871516P006   | CLIP COMPRESOR                 |
| 913  | 200D8229G003 | BASEPLATE STUD                 |
| 914  | 200D8433P001 | TAPA ACCESO                    |
| 918  | 197D4357P003 | SHROUD CONDENSER               |
| 919  | 870963P203   | FOAM STRIP SE ADH              |
| 921  | 197D3453G005 | ASPA DE VENTILADOR             |
| 922  | 197D2722P001 | SOPORTE VENTILADOR DELANTERO   |
| 923  | 200D5001P004 | MOTOR AC/DC FAN                |
| 924  | 203C5601P001 | REFUERZO EVAPORADOR            |
| 925  | 200D4970P001 | SOPORTE VENTILADOR COND. POST. |
| 926  | 200D8224G002 | CONDENSER & BRKT ASM           |
| 927  | 200D8543P001 | SOPORTE CONDENSADOR            |
| 928  | 203C4219P001 | CLIP CONDENSADOR               |
| 929  | 200D8225G002 | ENS. COND.                     |
| 930  | 238C3078P001 | PLACA CONDENSADOR              |
| 931  | 868903P015   | LLANTA ALAMBRE                 |
| 932  | 200D1035G019 | ARNES TOMACORRIENTE            |
| 933  | 130035P004   | MORDAZA CABLE                  |
| 934  | 203C5906P002 | TUBO ABRAZADERA                |
| 936  | 225D4395P002 | SELLO GOMA                     |



## Refrigerador Mabe GBMLOGAXFRGS

| Guía | Componente   | Descripción               |
|------|--------------|---------------------------|
| 937  | 197D4848P002 | PROTECTOR RELEVADOR COMBO |
| 942  | 203C2799P004 | CAPACITOR                 |
| 1026 | 355B1024P028 | RIEL ESPACIADOR FRONTAL   |
| 1027 | 355B1024P031 | RIEL ESPACIADOR FRONTAL   |
| 1028 | 203C2160P001 | GROMMET P/TORNILLO        |
| 1029 | 197D5531G007 | ENS. SOPORTE CHAROLA VEG. |
| 1051 | 203C3755P003 | PLUG DOOR RVSBL           |
| 1055 | 238C1879P009 | PLUG BUTTOM               |