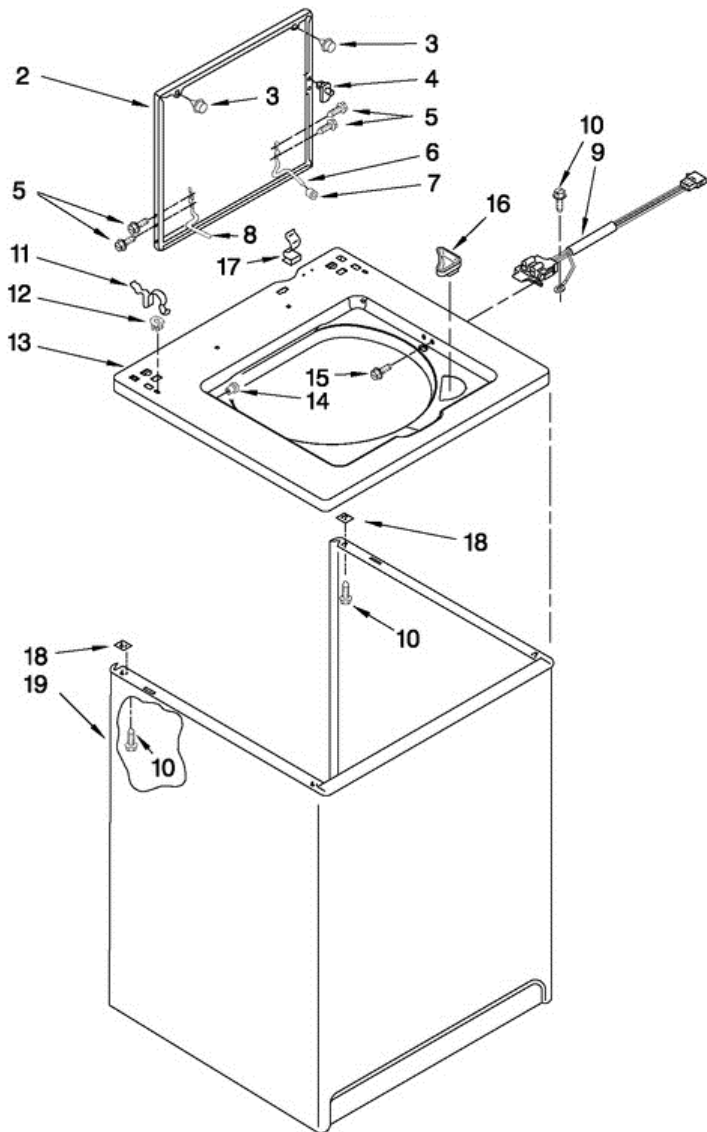


**GCAM2792TQ3 GABINETE**

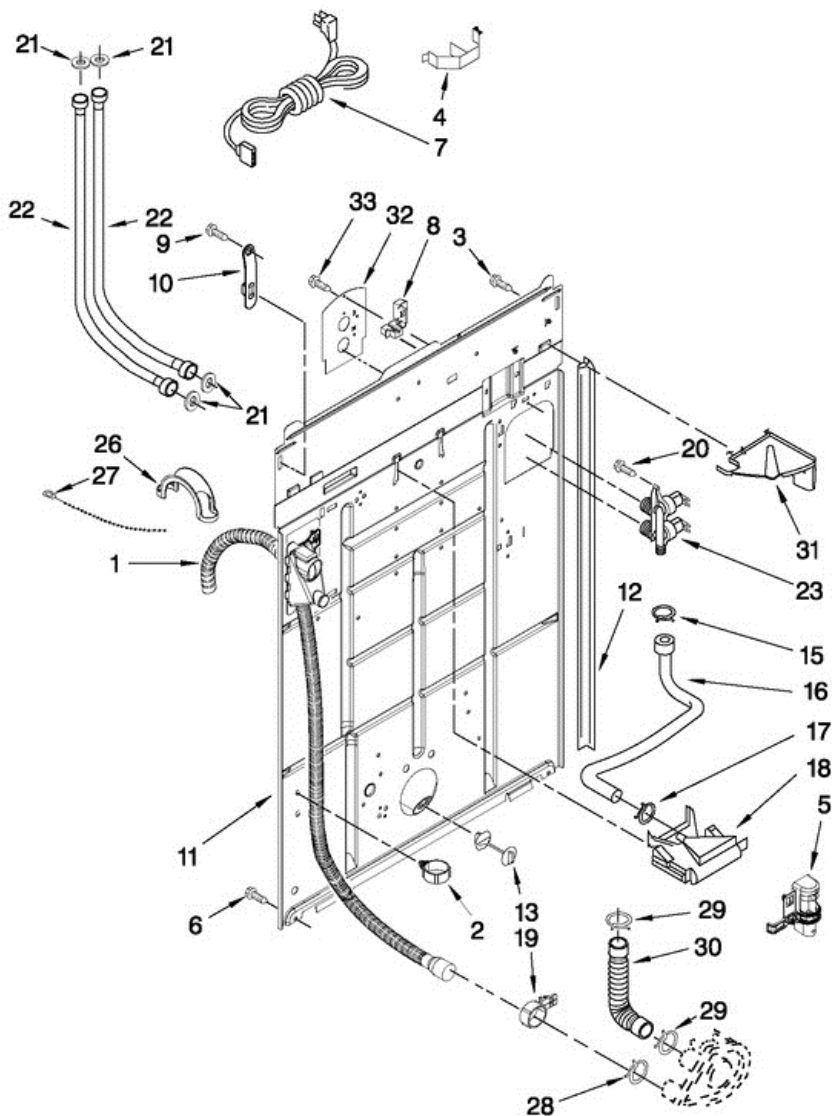




**GCAM2792TQ3 GABINETE**

2	W10173243	LID
3	9724509	BUMPER, LID (2)
4	358684	STRIKE, LID SWITCH
5	W10119828	SCREW, LID HINGE MOUNTING (4)
6	54583	HINGE, LID (R.H.)
7	19119	BUMPER, LID HINGE
8	54584	HINGE, LID (L.H.)
9	3352629	SWITCH, LID
10	3390631	SCREW, 10-16 X 3/8
11	62780	CLIP, TOP & CABINET & REAR PANEL (2)
12	358473	NUT, PUSH-IN (2)
13	8524697	TOP
14	21258	BEARING, LID HINGE (2)
15	3356311	SCREW, LID SWITCH
16	3362952	DISPENSER, BLEACH
17	90016	CLIP, HALF HARNESS
18	62750	SPACER, CABINET TO TOP (4)
19	63424	CABINET

**GCAM2792TQ3 MANGUERAS**

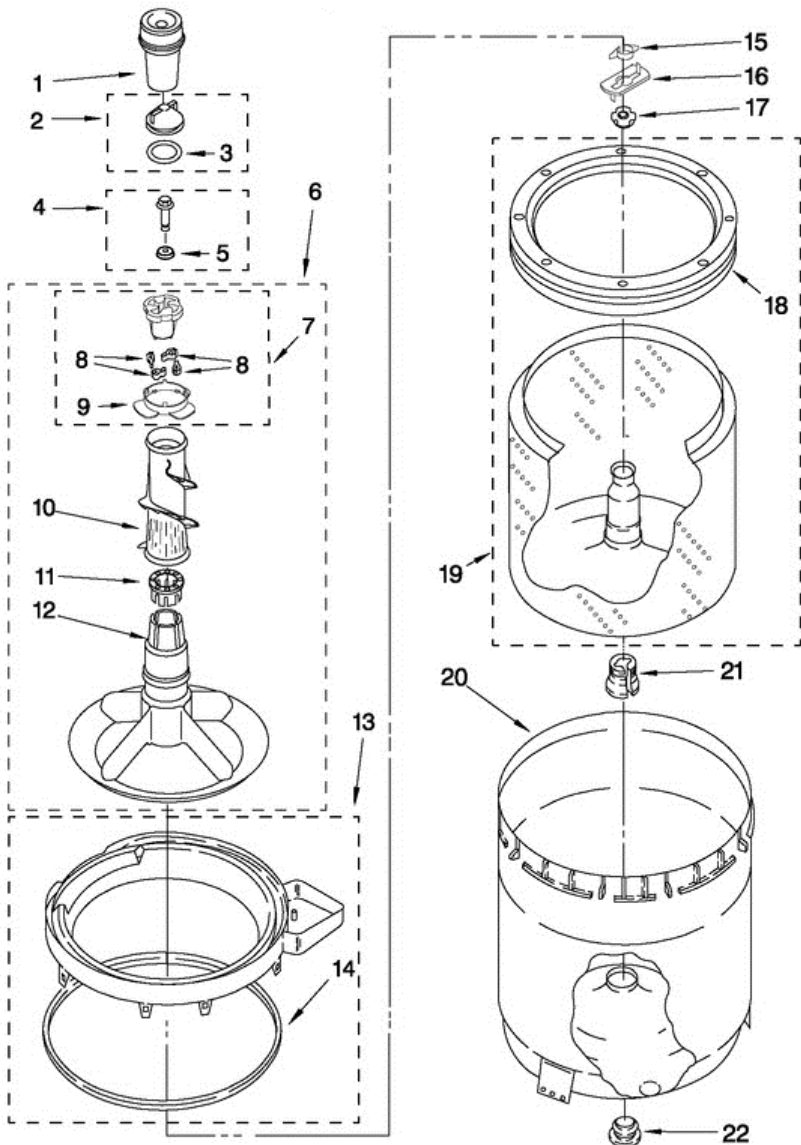




## GCAM2792TQ3 MANGUERAS

1	W10138068	DRAIN HOSE ASSEMBLY (INCLUDES ITEMS 2, 19 & 26)
2	8541667	CLAMP, HOSE
3	3351614	SCREW, GROUND
4	8055003	CLIP, HARNESS & PRESSURE HOSE
5	3949496	CLIP, CAPACITOR
6	62863	SCREW, 10-16 X 3/8
7	3976231	CORD, PANEL (INCLUDES ITEM 8)
8	3952821	RELIEF, STRAIN (POWER CORD)
9	3390647	SCREW, STRAP TO PANEL (8-18 X 1/2)
10	8568314	STRAP, CONSOLE (2)
11	8318019	PANEL, REAR
12	62747	PAD, REAR PANEL
13	8519200	SUPPORT, REAR PANEL
15	301958	CLAMP, HOSE
16	8317974	HOSE, VACUUM BREAK
17	370450	CLAMP, HOSE
18	387606	VACUUM BREAK
19	8541668	CLAMP, HOSE
20	9740848	SCREW, 8-18 X 1/2
21	W10242307	WASHER, INLET HOSE
22	8571378	HOSE, INLET (HOT WATER)
22	W10194208	HOSE, INLET (COLD WATER)
23	8578341	VALVE, WATER INLET BI-METAL
26	8577378	U-BEND, DRAIN HOSE
27	W10339879	CABLE TIE
28	8317496	CLAMP, HOSE
29	3363366	CLAMP, HOSE
30	3951449	HOSE, PUMP TO TUB (INCLUDES ITEM 29)
31	8539874	SHIELD, SUDS
32	8541624	PLATE, INLET VALVE
33	62863	SCREW, 10-16 X 3/8

**GCAM2792TQ3 TINAS**

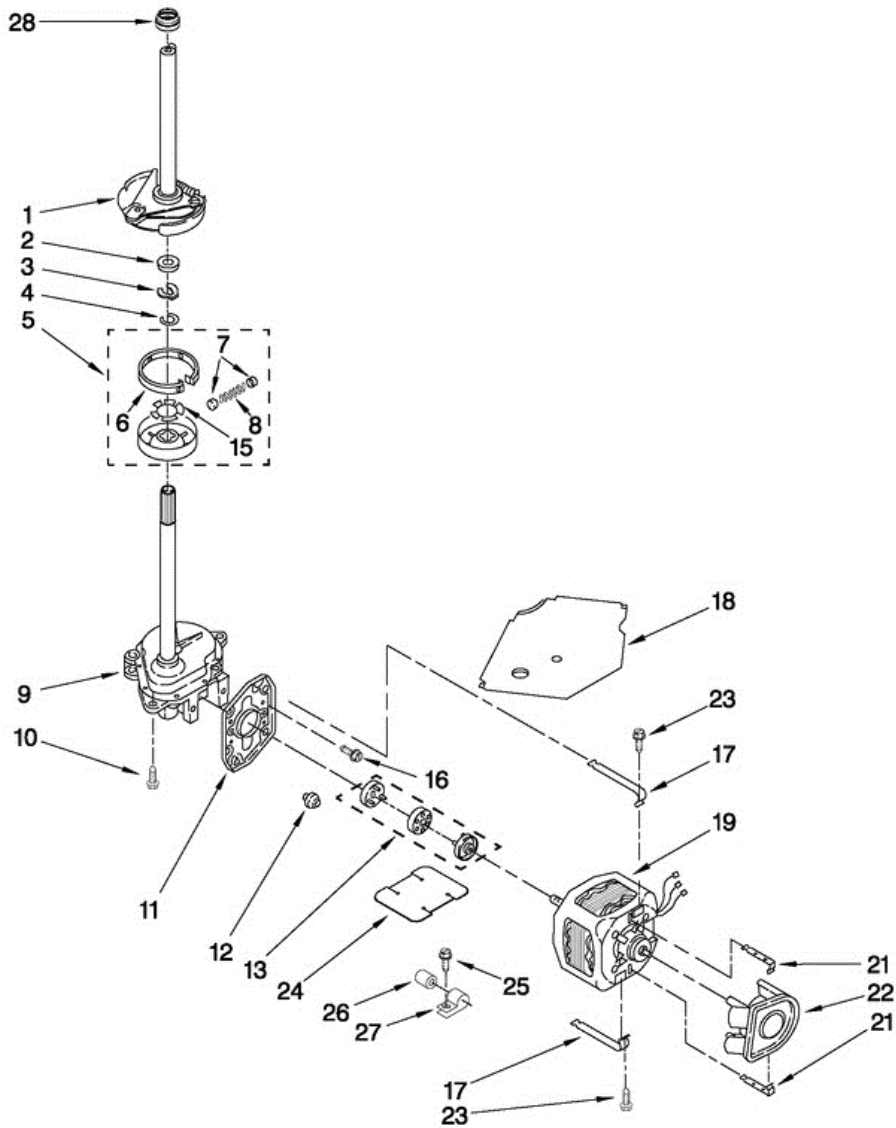




## GCAM2792TQ3 TINAS

1	63580	DISPENSER
2	3354733	CAP, BARRIER
3	W10072840	SEAL, INNER CAP
4	W10003790	SCREW & WASHER (5/16-24 X 1)
5	3949550	WASHER
6	3348117	AGITATOR (COMPLETE)
7	3363663	CAM, DRIVER
8	3366877	DOG, AGITATOR CLUTCH
9	3363661	BEARING, DRIVEN CAM
10	3348752	CLOTHES MOVER
11	3350389	SPACER, THRUST
12	3347288	AGITATOR
13	8528150	TUB RING
14	3976308	GASKET, TUB RING
15	3354845	CLIP, AGITATOR
16	8543666	WASHER, AGITATOR
17	21366	NUT, SPANNER
18	387240	BALANCE RING
19	W10389328	CLOTHES CONTAINER, ASSEMBLY
20	W10135425	TUB
21	389140	BLOCK, DRIVE
22	383727	GASKET, CENTERPOST

**GCAM2792TQ3 MOTOR**

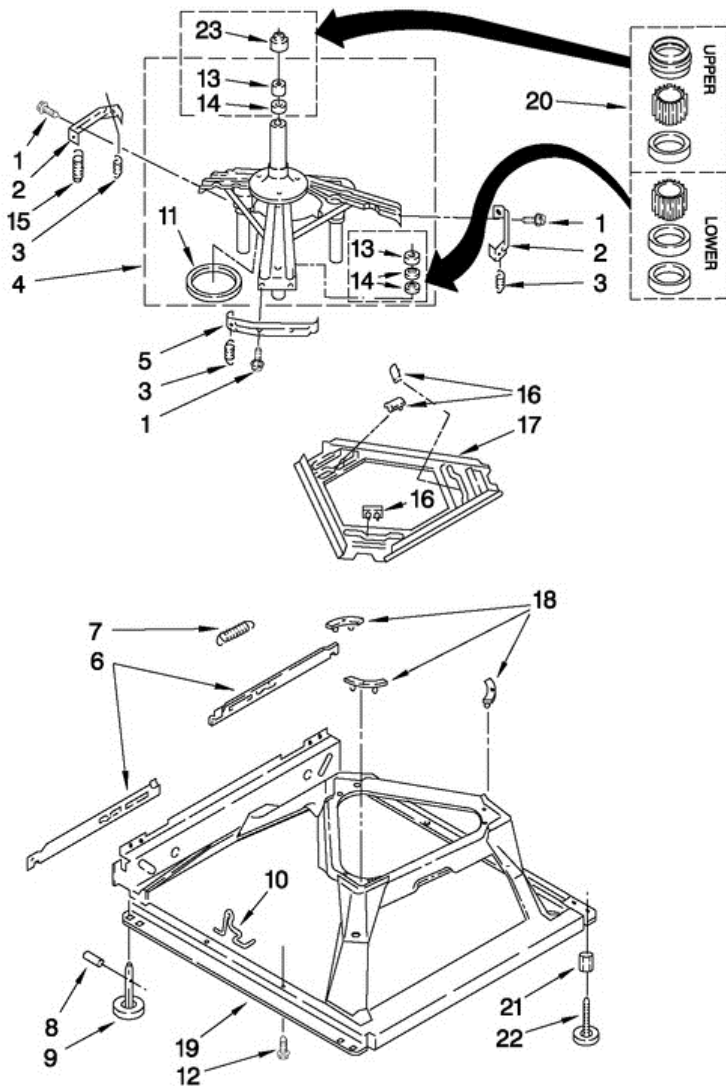




## GCAM2792TQ3 MOTOR

1	388952	BRAKE & DRIVE TUBE (COMPLETE)
2	63292	WASHER, SPIN TUBE THRUST
3	62697	RING, SPIN TUBE SUPPORT
4	63283	RING, RETAINER
5	3951311	CLUTCH (COMPLETE)
6	3951308	BAND & LINING, CLUTCH (INCLUDES ILLUS. 7 & 8)
7	62646	CAP, CLUTCH SPRING (2)
8	3946792	SPRING & DAMPER ASSEMBLY
9	3360630	GEARCASE (COMPLETE)
10	3357334	SCREW, GEARCASE TO BASE (3)
11	62611	PLATE, MOTOR MOUNT TO GEARCASE
12	62691	GROMMET, MOTOR (4)
13	3978849	COUPLING, MOTOR AND ISOLATION
15	3355454	CLIP, ANTI-RATTLE
16	3400516	SCREW
17	W10086010	RETAINER, MOTOR (2)
18	3362089	SHIELD, TUB TO MOTOR
19	661600	MOTOR, MAIN DRIVE
21	8546127	RETAINER, PUMP (2)
22	3363394	PUMP (COMPLETE)
23	3387485	SCREW, 10-16 X 5/8
24	3946532	SHIELD, MOTOR
25	62863	SCREW, 10-16 X 3/8
26	8572717	CAPACITOR
27	3949496	CLAMP, CAPACITOR
28	8577374	SEAL



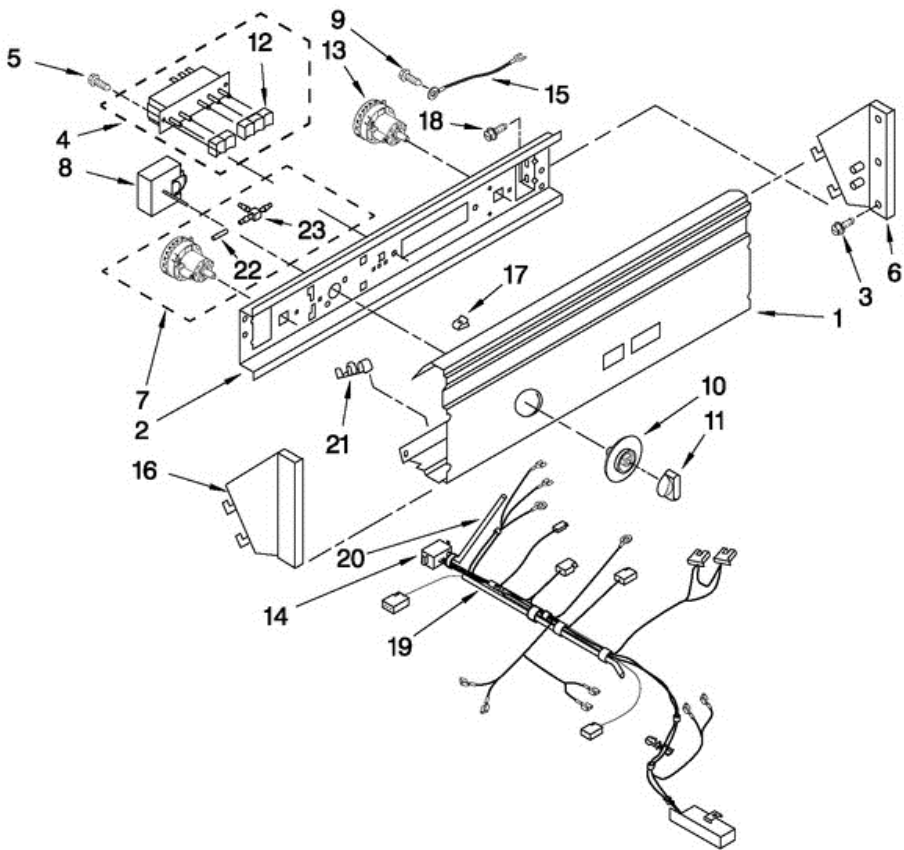




## GCAM2792TQ3 BASE

1	3400076	SCREW, BRACKET MOUNTING (10-32 X 5/8)
2	64067	BRACKET, SPRING OUTER (2)
3	63907	SPRING, SUSPENSION (3)
4	8575214	SUPPORT & BRAKE, TUB
5	64065	BRACKET, SPRING OUTER (L.F.)
6	63466	LINK, LEVELING MECHANISM (2)
7	62597	SPRING, LEVELING MECHANISM
8	62837	PIN, KNURLED
9	62596	FOOT, REAR (2)
10	W10145155	RETAINER, SUSPENSION SPRING
11	63134	RING, SOUND DEADENING
12	62863	SCREW, 10-16 X 3/8 (2)
13	8546455	BEARING, CENTERPOST (2)
14	357409	SEAL, CENTERPOST (3)
15	W10250667	SPRING, COUNTERWEIGHT
16	62568	PAD, PLATE
17	3946509	PLATE, SUSPENSION (INCLUDES ITEM 16)
18	3363660	PAD, BASE
19	3946512	BASE ASSEMBLY (INCLUDES ITEMS 6, 7, 8, 9, 10 & 18)
20	285203	CENTERPOST BEARING KIT (INCLUDES 13, 14 & 23)
21	3359452	NUT, LOCK (3/8-16) (2)
22	W10001130	FOOT, FRONT (2)
23	8577376	SEAL, CENTERPOST

**GCAM2792TQ3 TABLERO**

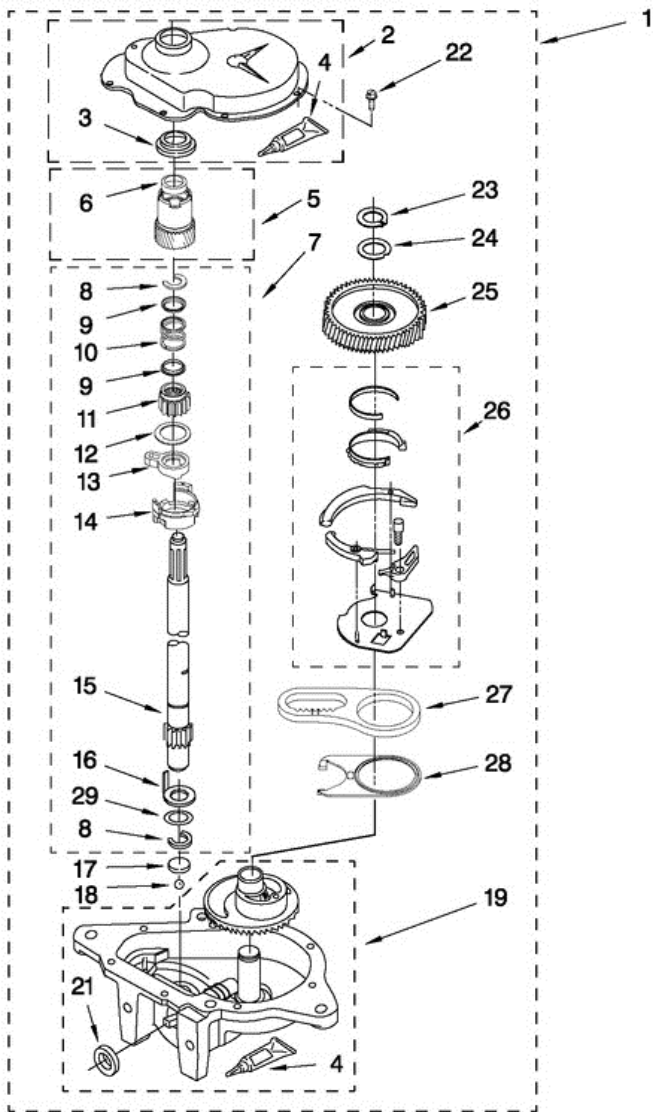




**GCAM2792TQ3 TABLERO**

1	8524796	PANEL, CONSOLE
2	8524798	BRACKET, CONTROL
3	97787	SCREW, 11-16 X 3/4
4	W10330136	SWITCH, CYCLE SELECTOR (INCLUDES ILLUS. NO. 12)
5	3393918	SCREW
6	3949737	END CAP (R.H.)
7	W10414163	SWITCH, PRESSURE (HIGH LEVEL)
8	W10116523	TIMER
9	3400073	SCREW, GROUND
10	8274412	DIAL, TIMER
11	8529311	KNOB, TIMER
12	8316433	PUSHBUTTON (5)
13	W10414162	SWITCH, PRESSURE (LOW LEVEL)
14	W10136114	HARNESS, WIRING (INCLUDES ITEMS 19, 20, 22 & 23)
15	W10110977	WIRE, GROUND
16	3949734	END CAP (L.H.)
17	689559	NUT, PUSH-IN (2)
18	388326	SCREW, END CAP TO BRACKET (4)
19	8524801	HOSE, PRESSURE SWITCH TO AIR DOME
20	8533269	HOSE, PRESSURE SWITCH LINK
21	W10113937	CLIP, GROUNDING
22	N/P	HOSE, PRESSURE SWITCH TO ``T``
23	N/P	FITTING, PRESSURE HOSE ``T``

**GCAM2792TQ3 TRANSMISION**

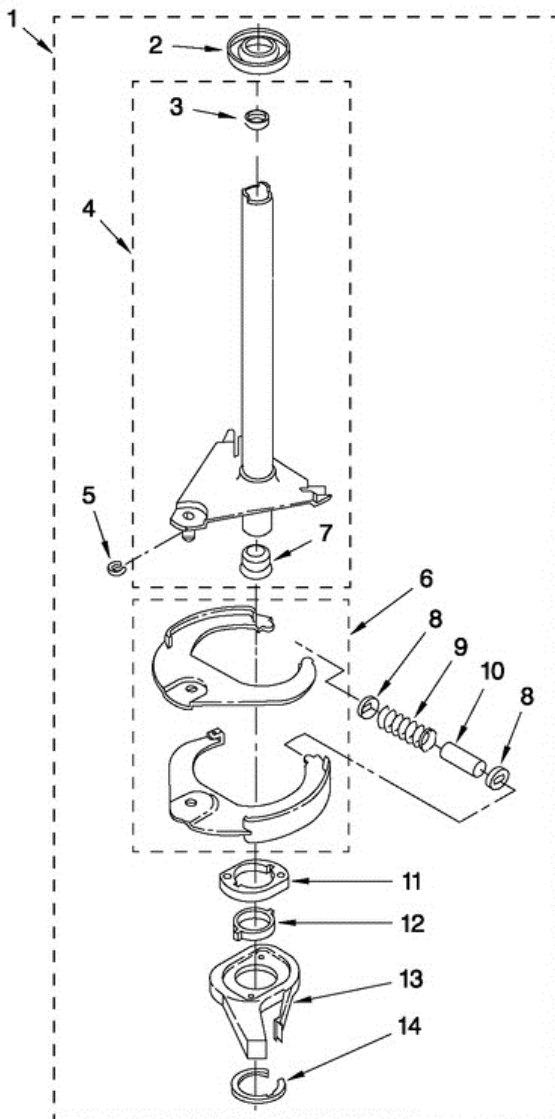




## GCAM2792TQ3 TRANSMISION

1	3360630	GEARCASE (COMPLETE)
2	285202	COVER, GEARCASE
3	3349985	SEAL, GEARCASE COVER
4	285195	SEALER, GASKET (.20 FL. OZ.) (6 ML)
5	63320	PINION, SPIN (INCLUDES ILLUS. 25)
6	356427	SEAL, SPIN PINION
7	389387	SHAFT, AGITATOR (COMPLETE)
8	90369	RING, RETAINING (2)
9	62677	RETAINER, SPRING
10	62676	SPRING, AGITATE
11	63273	GEAR, AGITATE (INCLUDES 15 AND 29)
12	62619	WASHER, AGITATE GEAR
13	62580	CAM FOLLOWER (INCLUDES 14)
14	62581	CAM, AGITATE (INCLUDES 13)
15	285509	SHAFT, AGITATOR (INCLUDES 11 AND 29)
16	62618	WASHER, CAM THRUST
17	16018	BEARING, THRUST
18	85529	BALL, BEARING
19	389230	BOTTOM AND PINION, GEARCASE
21	285352	SEAL, THRUST PLUG
22	3351614	SCREW, GEARCASE COVER MOUNTING (8)
23	3362552	RING, RETAINING
24	285735	WASHER KIT, THRUST
25	62570	GEAR, SPIN
26	388253	NEUTRAL ASSEMBLY
27	3349296	RACK, CONNECTING
28	62621	ACTUATOR, SHIFT
29	388815	WASHER, INTERMEDIATE

**GCAM2792TQ3 FLECHA HUECA**





## GCAM2792TQ3 FLECHA HUECA

1	388952	BRAKE AND DRIVE TUBE (COMPLETE)
2	62658	RING, THRUST
3	356427	SEAL, DRIVE TUBE
4	64027	TUBE, BASKET DRIVE (INCLUDES ILLUS. 3, 4, 5 & 9)
5	64035	RING, RETAINING
6	64232	SHOE, BRAKE (2)
7	62703	``T`` BEARING, SPIN TUBE
8	3353956	CAP, BRAKE SPRING (2)
9	387806	SPRING, BRAKE
10	3355360	SLEEVE, BRAKE SPRING
11	661516	CAM, BRAKE RELEASE
12	63022	SLEEVE, CAM
13	64194	DRIVER, BRAKE CAM
14	90368	RING, RETAINING
NI	285208	LUBRICANT