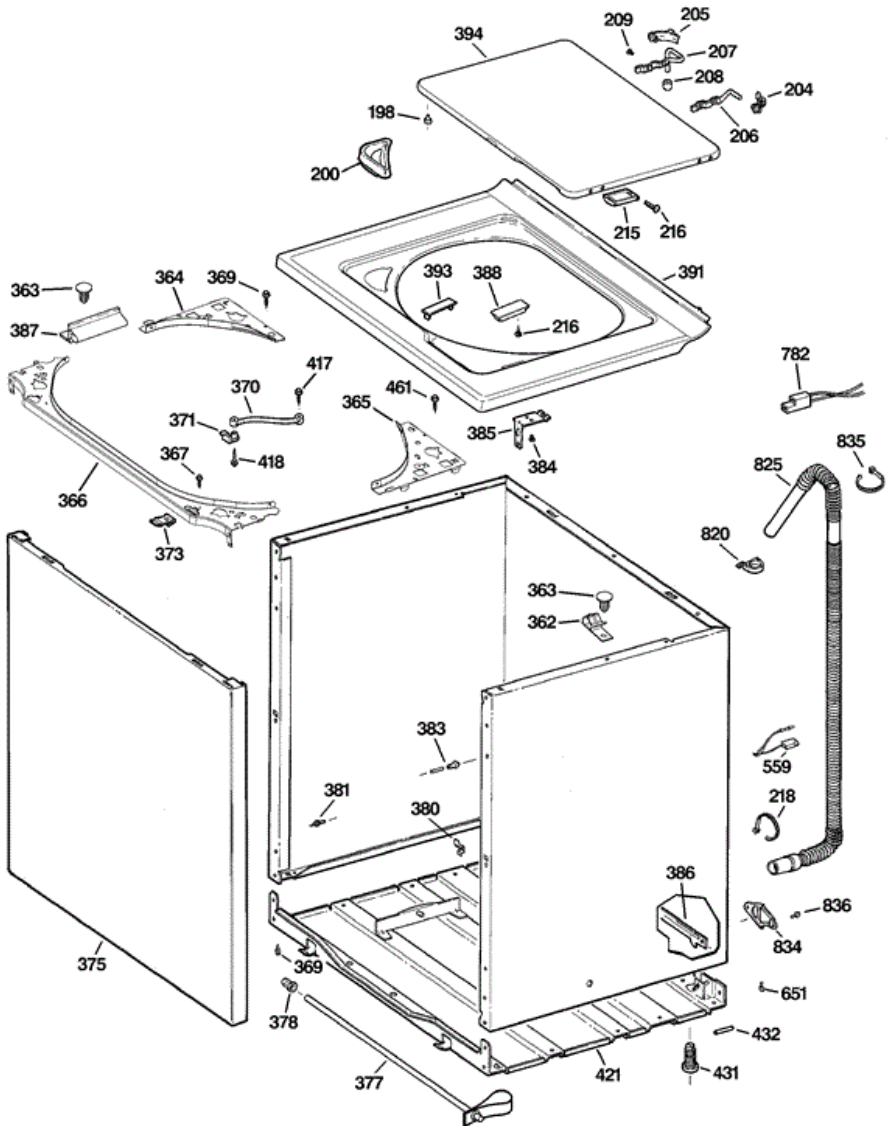


**GCWP1000M0WW GABINETE**



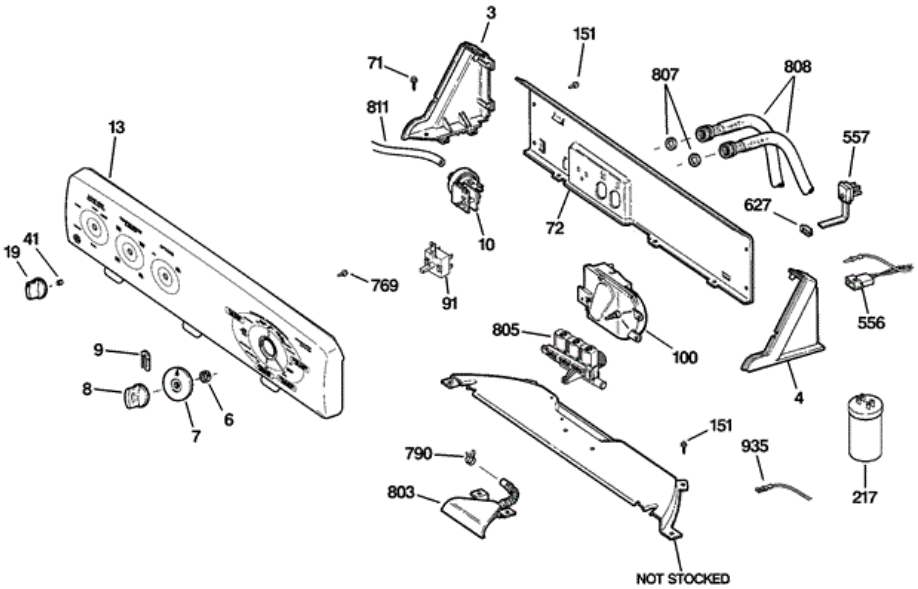


## GCWP1000M0WW GABINETE

198	WH01X2722	BUMPER LID
200	WH01X10057	FUNNEL BLEACH
204	WH01X2741	BUSHING HINGE (SINGLE)
205	WH01X10025	BUSHING HINGE-FRONT OPEN
206	WH01X2740	WIREFORM HINGE
207	WH01X2743	WIREFORM HINGE
208	WH01X2742	BUMPER HINGE
209	WH02X1211	SCREW
215	WH01X10222	MAGNET HOUSING ASM
216	WH02X10217	SCR 8-16 B FLP .625 ZN
218	WH01X10217	WIRE TIE
362	WH02X10263	CHRISTMAS TREE WIRE CLIP
363	WH02X10258	PLUG PINETREE
364	WH16X10101	BRACKET APRON LEFT
365	WH16X10102	BRACKET APRON RIGHT
366	WH16X10117	BRACKET APRON FRONT
367	WH02X10301	SCR 8-18 AB HW 1/2 S
369	WH02X1217	SCR 8-18 AB IHW 7/16 SN
370	WH01X10046	STRAP DAMPING
371	WH01X2726	RETAINER STRAP
373	WH02X10279	CLIP LOCKING
375	WH46X10109	PANEL & BRACE ASM WH
377	WH46X0344	BAR SHIPPING
378	WH01X2745	BUTTON PLUG
380	WH02X1207	CLIP GROUND
381	WH02X1190	STUD GROUNDING
383	WH02X1189	PIN ALIGNMENT
384	WH01X10109	SCR 8-15 A 3/4 SP HXW
384	WH01X10423	SCR 6-20 B TRT 3/8 S
385	WH01X10422	COVER CLIP
386	WH46X10094	BAR SELF LEVELING
387	WH41X10161	CONDUIT
388	WH12X10275	LID SWITCH ASM

391	WH44X10143	COVER ASM FINISHED
393	WH44X10144	PROTECTOR LID SWITCH
394	WH44X10278	LID ASM FINISHED
417	WH02X0694	SCR 10-12 A HX 1/2 S
418	WH02X10282	SCR 8-18 B IHW 1 S
421	WH46X10079	BASE ASM
431	WH02X1187	LEG LEVELING
432	WH02X1188	PIN ROLL
461	WZ05X0158	SCREW 8-32X3/8 GRD SCR
559	WH12X0538	HOUSING TERMINAL
651	WH02X10123	SCR 1/4-20 TPT 1H 1/2 SN
782	WB17X5060	TERMINAL BLK ASM (2 PIN)
820	WH01X2725	CLIP ANTI-SIPHON
825	WH41X10096	HOSE DRAIN EXTERNAL
834	WH16X0513	RETAINER HOSE
835	WH01X10218	STRAP
836	WH02X10162	SCR 8-18 AB IHWP 7/8 S

**GCWP1000M0WW TABLERO**

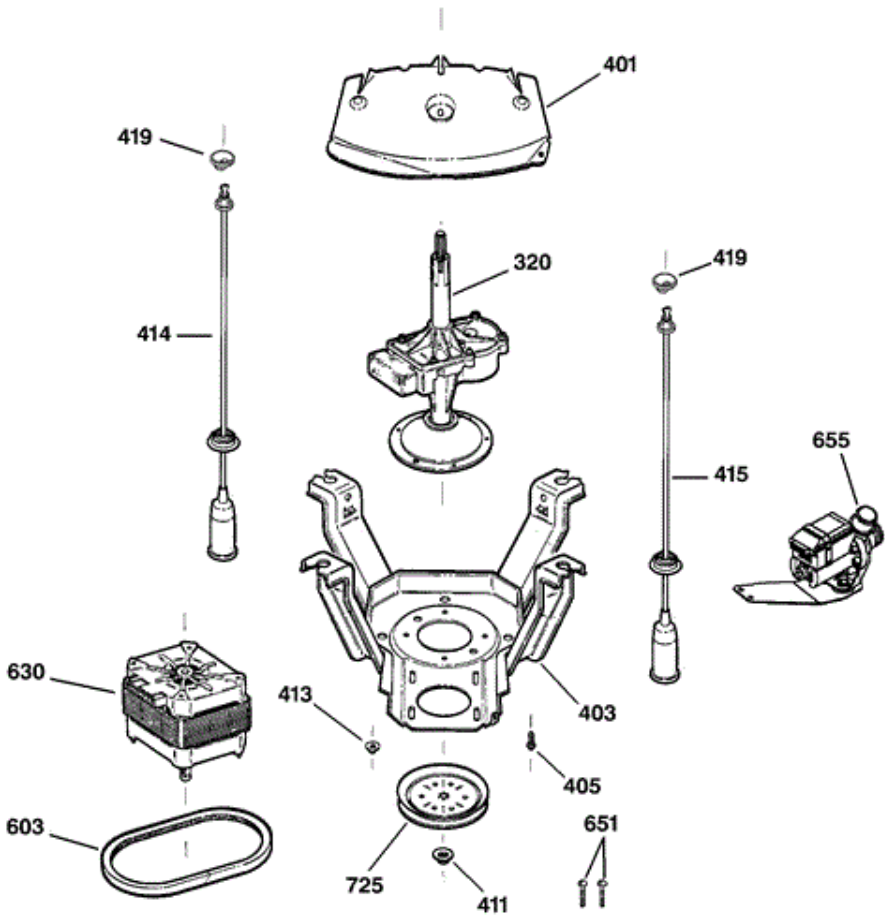




## GCWP1000M0WW TABLERO

3	WH42X10634	ENDCAP LH WH
4	WH42X10633	ENDCAP RH WH
6	WH02X10093	RING COMPRESSION
7	WH11X10049	DIAL ASM
8	WH01X10310	KNOB ASM CONTROL
9	WH01X2117	CLIP SPRING
10	WH12X10476	SWITCH PRESSURE
13	WH42X10840	BACKSPLASH ASM
19	WH01X10460	KNOB AND CLIP ASM
41	WH01X10106	CLIP KNOB
71	WH02X1205	SCR 8-18 B 1/2 HXW P
72	WH46X10146	PANEL BACK WASHER
91	WH12X10459	SWITCH ROTARY
91	WH12X10498	SWITCH ROTARY
100	WH12X10478	TIMER WASHER
151	WH02X10126	SCR 8-18 B 1HW 1/2 SN
217	WH12X10462	CAPACITOR CMRW TS 45/2
556	WH12X0497	HOUSING TERMINAL
557	WH19X10068	CORD POWER ASM
627	WH12X10208	SELF LOCKING STRAIN RELF
769	WR01X10196	SCR 8-18 HI/LO 5/8
790	WH01X2036	CLAMP HOSE
803	WH41X10077	HOSE & WATER INLET
805	WH13X10048	VALVE TRIPLE WATER
807	WH02X10161	WASHER FLAT
808	WH41X10094	HOSE INLET ASM
808	WH41X10095	HOSE INLET ASM
811	WH41X0365	HOSE PRESSURE SWITCH
935	WD01X1434	TERMINAL SPECIAL

**GCWP100M0WW TRANSMISION**

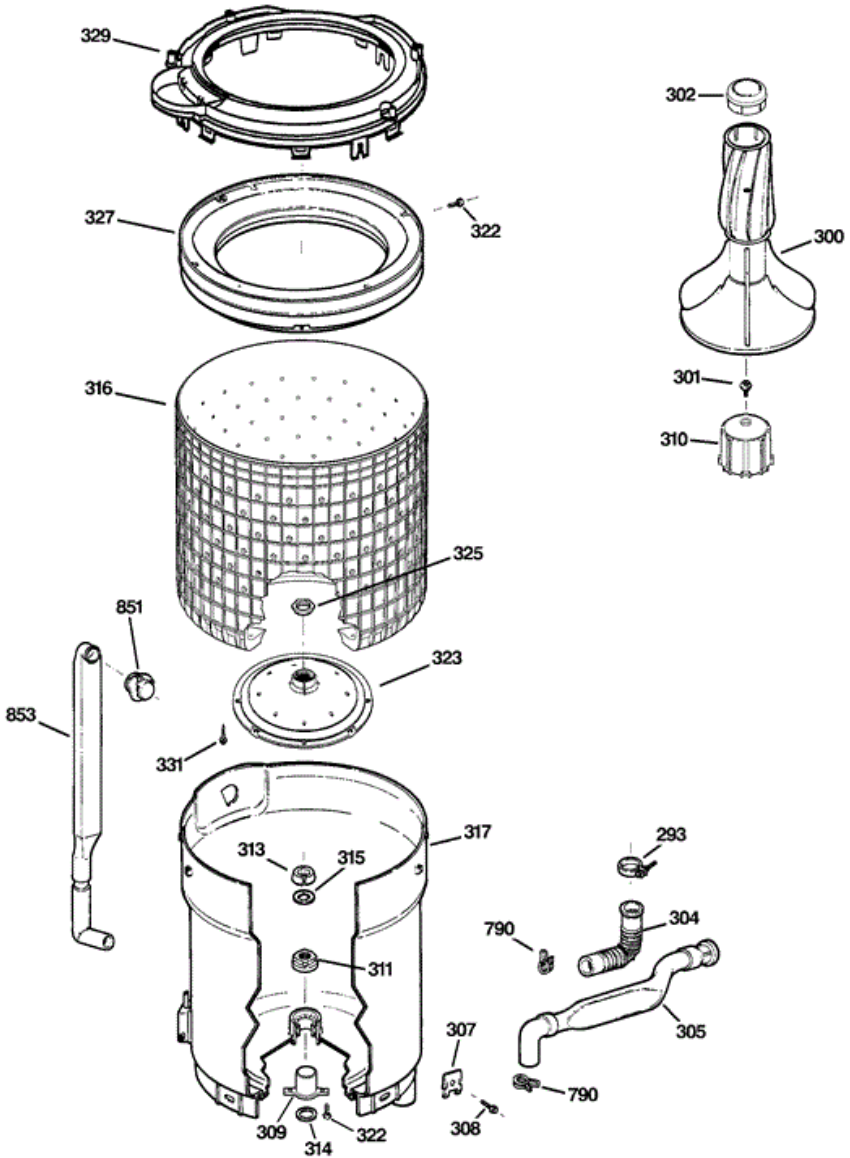




## GCWP1000M0WW TRANSMISION

320	WH38X10002	TRANSMISSION & BRAKE ASM
401	WH45X10046	SHIELD TUB
403	WH17X10003	LEG & PLATFORM WELD ASM
405	WH02X1201	SCR 1/4-20 B HXW 3/4 SNS
411	WH02X1203	NUT PULLEY
413	WH02X1204	NUT MOTOR HEX
414	WH16X0544	ROD & SPRING ASM
415	WH16X0543	ROD & SPRING ASM
419	WH01X10001	SOCKET ROD SUPPORT
603	WH01X2026	BELT
630	WH20X10063	MOTOR 1 SPEED PSC 1/2 HP
651	WH02X10123	SCR 1/4-20 TPT 1H 1/2 SN
655	WH23X10013	PUMP
725	WH07X0126	PULLEY TRANSMISSION

**GCWP1000M0WW TINAS**







## GCWP1000M0WW TINAS

293	WH01X10134	CLAMP HOSE
300	WH43X10034	AGITATOR ASM MULTI
301	WH02X10237	SCR 1/4-20 MCH HXW 5/8 S
302	WH43X10005	CAP AGITATOR SHORT
304	WH41X10163	HOSE DRAIN INLET
305	WH41X0374	HOSE DRAIN ASM
307	WH01X2730	CLAMP - TUB
308	WH02X10267	SCR 5/16-18 TPT IHW S N
309	WH02X1198	BEARING TUB
310	WH43X10032	COUPLING AGITATOR
311	WH02X10032	SEAL TUB
313	WH02X1195	RING SPLIT
314	WH02X1197	WASHER TUB BEARING
315	WH02X1199	FLAT WASHER
316	WH45X10014	BASKET EXTRA LARGE
317	WH45X10024	TUB ASM X-LARGE
322	WH02X1194	SCREW
323	WH45X10027	HUB
325	WH02X1193	NUT HUB
327	WH45X0152	BALANCE RING ASM
329	WH45X10022	COVER TUB
331	WH02X10001	SCR 14-10 A TRT 7/8 S
790	WH01X2036	CLAMP HOSE
851	WH01X2729	GASKET FLOOD HEAD
853	WH41X0369	HOSE FLOOD