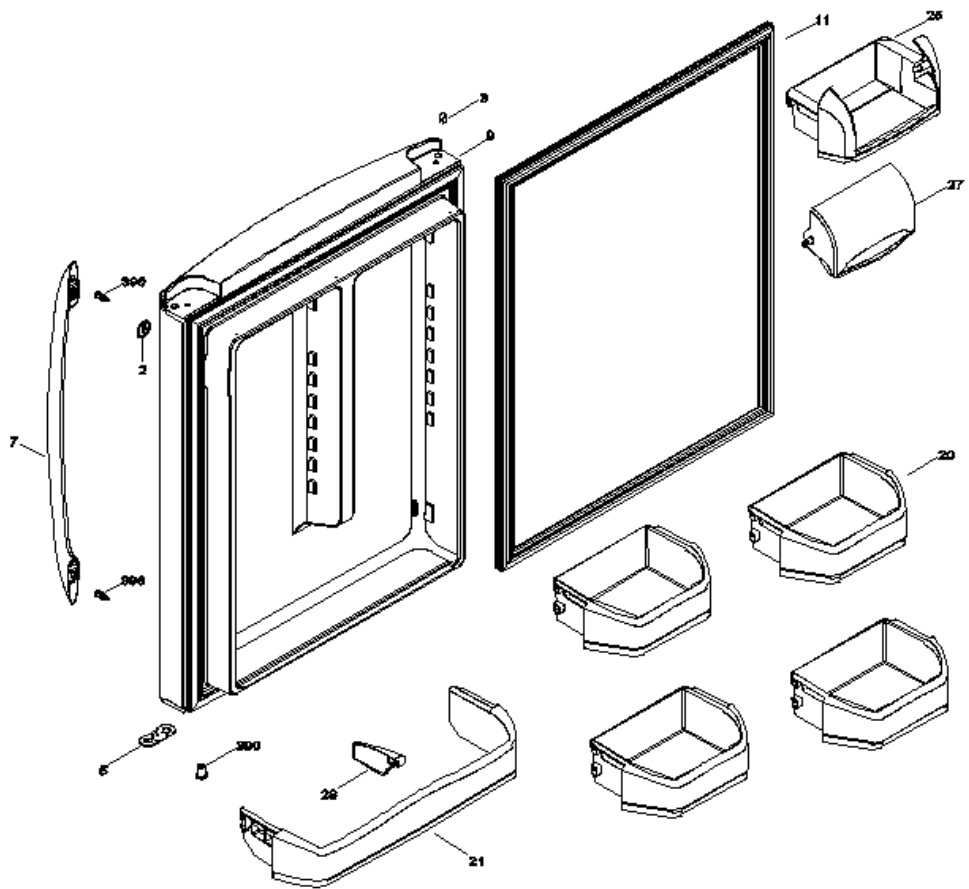
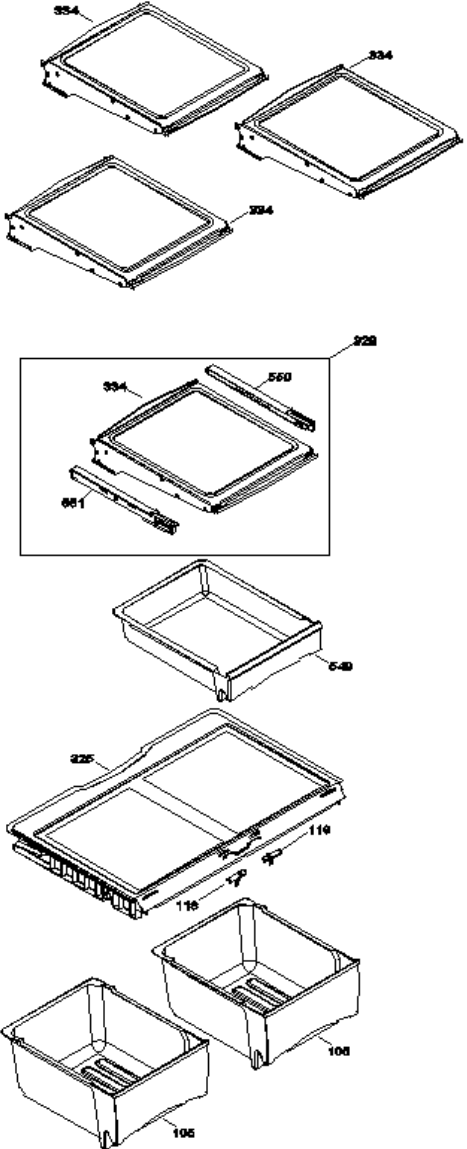
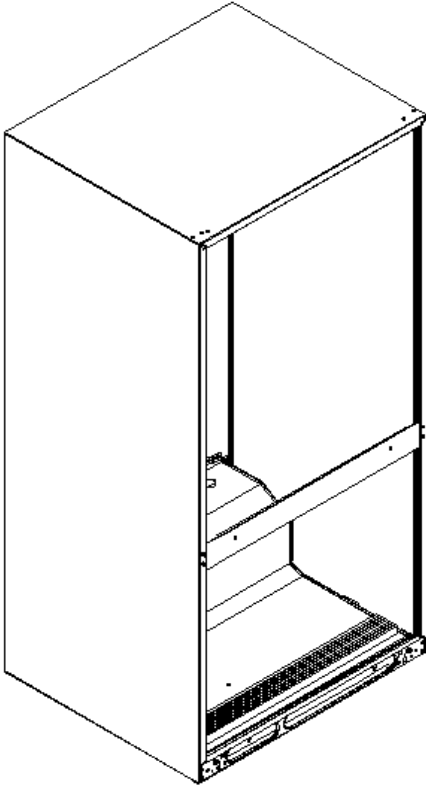


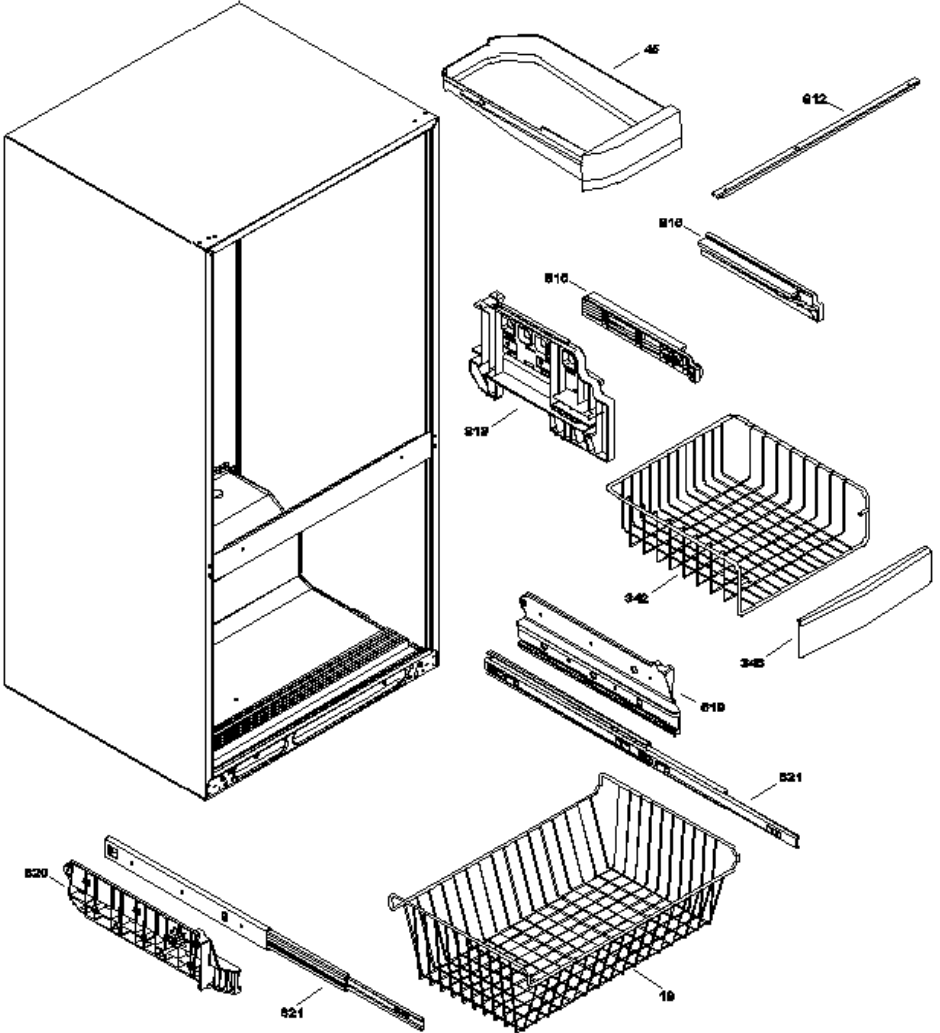
GDML0KBXARGS



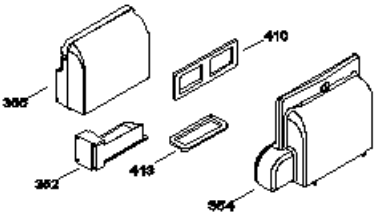
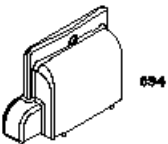
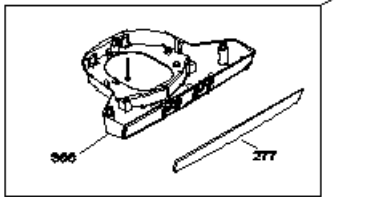
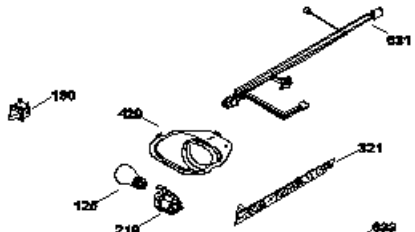
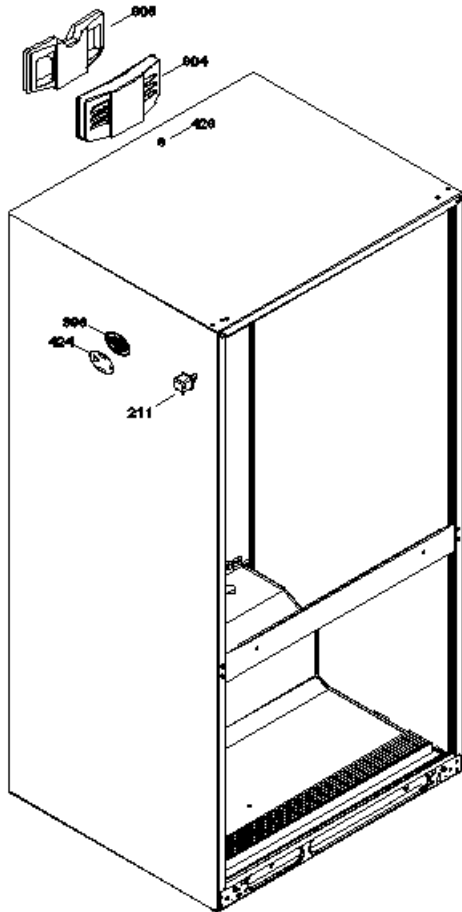
GDML0KBXARGS



GDML0KBXARGS



GDML0KBXARGS

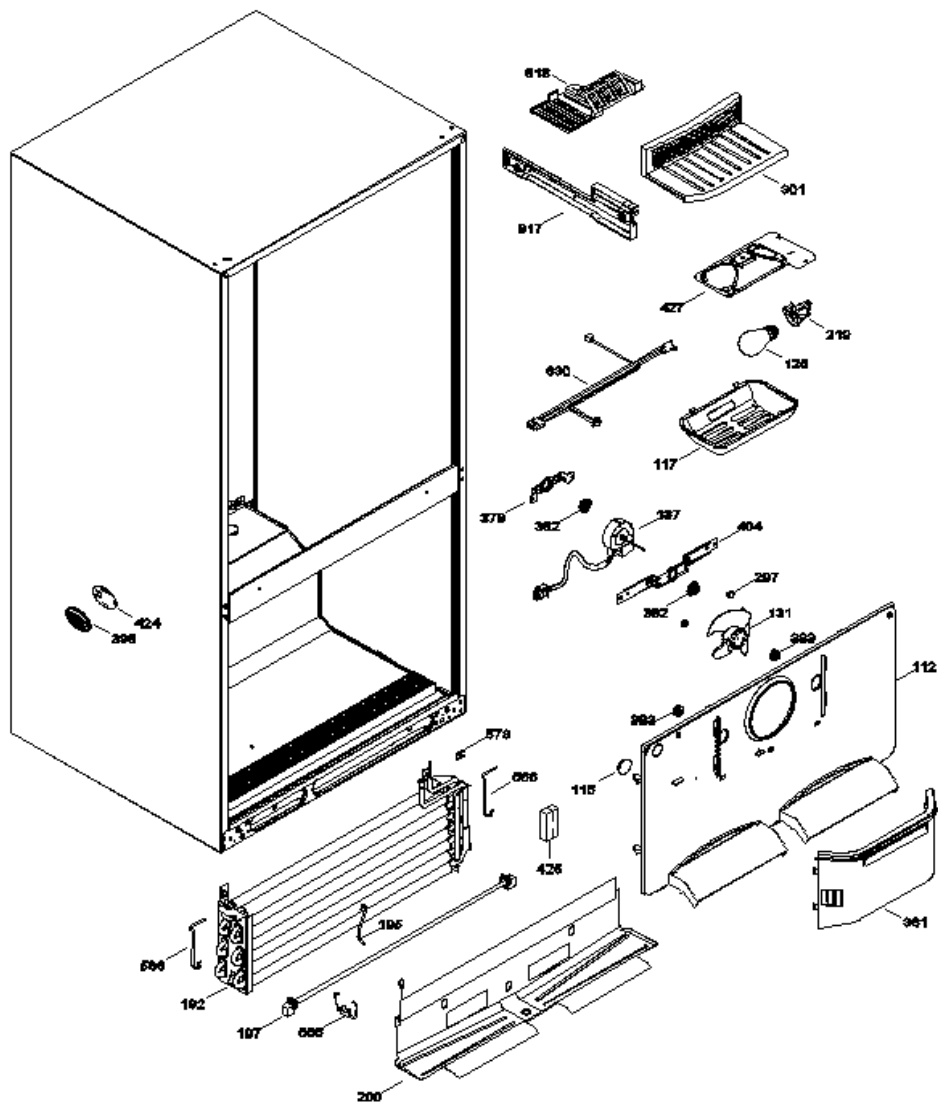


Distribuidor Autorizado

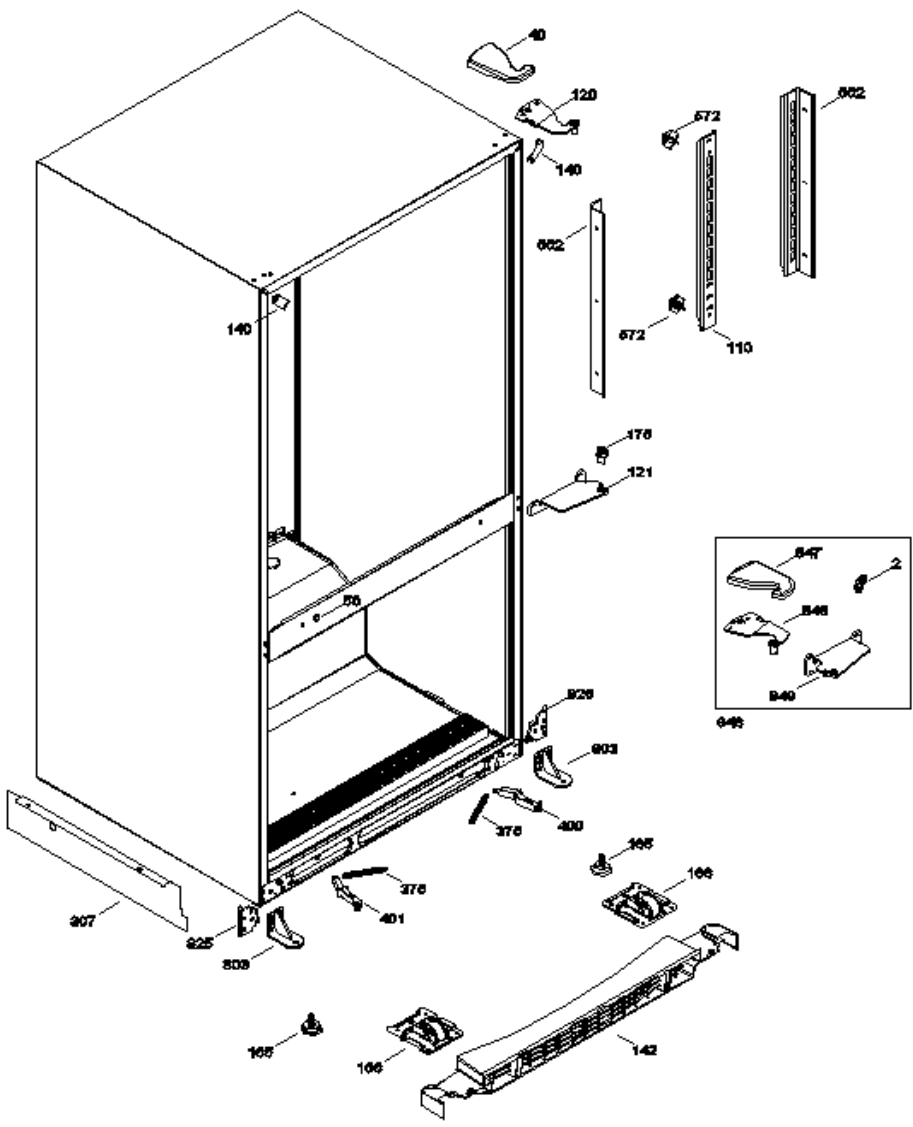
SurteRápido.com

Venta de Refacciones
Electrodomesticas

GDML0KBXARGS



GDML0KBXARGS





GDML0KBXARGS

1	WR200D9047G015	PUERTA CONG ENS S/ANAQUELES (S/P)
2	WR238C3576G001	ENSAMBLE LOGOTIPO (S/P)
3	WR238C2207P001	BUJE BISAGRA (S/P)
4	WR200D8692G001	JALADERA HIDROFORMADA FZ ENS (S/P)
5	WR238C3019P004	TOPE PUERTA REFRIG. (S/P)
6	WR200D5288P034	SELLO PUERTA CONGELADOR (S/P)
7	WR197D6294G001	JALADERA ENS. HIDROFORMADA (S/P)
9	WR200D8664G020	PUERTA ENFRIADOR ENS S/ANAQUEL (S/P)
11	WR200D5288P031	SELLO PUERTA REFRIGERADOR (S/P)
18	WR200D8218P004	CANASTA INFERIOR (S/P)
20	WR200D8443P001	ANAQUEL REFRIGERADOR (S/P)
21	WR200D8426P001	ANAQUEL FIJO (S/P)
25	WR200D8441P001	ANAQUEL LACTEOS (S/P)
27	WR200D8442P001	PUERTA LACTEOS (S/P)
28	WR197D2493P001	SEPARADOR BOTELLAS (S/P)
40	WR200D8673P004	TAPA BISAGRA SUPERIOR (S/P)
45	WR200D8232P002	CAJON HIELO (S/P)
56	WR238C2011P001	TAPON TORNILLO MANGUETE (S/P)
105	WR200D8144P001	CAJON LEGUMBRES (S/P)
110	WR200D1687G003	CREMALLERA CENTRAL (S/P)
112	WR200D6600G001	CUBIERTA DEL EVAPORADO (S/P)
115	WR464846P61	TAPON CUBIERTA EVAPORADOR (S/P)
117	WR200D6186P001	CUBIERTA LAMPARA CONGELADOR (S/P)
118	WR200D9970P001	PALANCA CONTROL DE HUMEDAD IZQ (S/P)
119	WR200D9970P002	PALANCA CONTROL DE HUMEDAD DER (S/P)
120	WR200D8628G004	ENS. BISAGRA SUPERIOR Y (S/P)
121	WR225D1897G001	ENSAMBLE BISAGRA Y PERNO (S/P)
125	WR866354P039	LAMPARA 60 W 120 V (S/P)
130	WR197D2805P001	INTERRUPTOR CONSERVADOR (S/P)
131	WR197D3131G007	ASPA VENTILADOR ENSAMBLE (S/P)
132	WR197D2407P013	MOTOR CONDENSADOR (S/P)
133	WR197D3453G003	ASPA DE VENTILADOR (S/P)
135	WR197D2722P001	SOPORTE FRONTAL MOTOR COND. (S/P)

136	WR203C5601P001	EMPAQUE MOTOR VENTILADOR COND. (S/P)
137	WR225D2707G001	ENSAMBLE MOTOR EVAP DC (S/P)
138	WR197D2968P001	SOPORTE POSTERIOR MOTOR COND. (S/P)
140	WR200D1623P006	ESQUINERO GABINETE (S/P)
142	WR200D8641P004	REMATE FALDON (S/P)
165	WR238C3616P001	TORNILLO NIVELADOR (S/P)
166	WR225D1362G001	ENSAMBLE MOVIL FRONTAL (S/P)
170	WR200D8433P001	CUBIERTA DE ACCESO COMPRESOR (S/P)
176	WR238C3123P001	PERNO BISAGRA INTERMEDIA (S/P)
192	WR225D1283G001	SISTEMA DE BAJA PRESIO (S/P)
195	WR203C5692P005	ALAMBRE CALEFACTOR (S/P)
197	WR522979G057	RESISTENCIA DE DESHIELO ENS. (S/P)
200	WR200D8670G001	ENS CHAROLA DESHIELO (S/P)
211	WR197D2805P007	INTERRUPTOR CONGELADOR (S/P)
213	WR200D9742G001	TARJETA CONTROL ENSAMBLE (S/P)
219	WR162D5209G004	SOCKET Y TERMINALES ENS. (S/P)
225	WR200D1035G019	ARNES TOMACORRIENTE (S/P)
235	WR197D4821G014	COMPRESOR EMBRACO ENS. (S/P)
238	WR225D1204P001	DISPOSITIVO TSD COMBO (S/P)
239	WR197D5541P005	CLIP DETENEDOR (S/P)
240	WR162D9086P004	FILTRO DESHIDRATADOR (S/P)
241	WR238C1355P002	CESPOL (S/P)
255	WR203C2799P004	CAPACITOR 12MF/210V (S/P)
256	WR203C5262P001	AMORTIGUADOR COMPRESOR (S/P)
258	WR871516P006	SEGURO DE SUJECION COMPRESOR (S/P)
260	WR200D8229G001	PLACA BASE COMPRESOR (S/P)
275	WR200D8224G001	CONDENSADOR (S/P)
276	WR200D9614P001	CUBIERTA FOCO REFRIG. (S/P)
277	WR200D8332P001	MASCARA (S/P)
297	WR123C8091P002	TOPE VENTILADOR (S/P)
298	WR130035P004	MORDAZA CABLE (S/P)
301	WR200D8234P001	PARRILLA ENFRIADOR (S/P)
305	WR197D4357P005	ARO SOPORTE CONDENSADOR (S/P)
307	WR200D9354P002	SEPARADOR DE AIRE (S/P)
309	WR200D8543P001	SOPORTE CONDENSADOR (S/P)
321	WR197D4143G008	TARJETA CONTROL DE TEMPERATURA (S/P)
325	WR200D8147G003	ENS.CUBIERTA CAJON LUGUMBRES (S/P)
328	WR200D9038G002	ENSAMBLE PARRILLA FIJA SP (S/P)

329	WR200D8259P010	LEVA DE CIERRE IZQUIERDA (S/P)
330	WR200D8259P009	LEVA DE CIERRE DERECHA (S/P)
334	WR200D9039G004	ENSAMBLE PARRILLA FIJA (S/P)
342	WR200D8208P002	CANASTA SUPERIOR (S/P)
346	WR200D8209P002	JALADERA CANASTA SUPERIOR (S/P)
352	WR197D2649P004	REGULADOR MOTORIZADO TORRE AIR (S/P)
354	WR200D9315P001	CUBIERTA DUCTO DAMPER (S/P)
355	WR200D9322G001	DUCTO REFRIG. ENS. (S/P)
361	WR200D8600G001	ENS CUBIERTA VENTILADOR (S/P)
366	WR200D8331P001	CAJA CONTROL (S/P)
376	WR203C4137P002	RESORTE CIERRE PUERTAS (S/P)
377	WR203C4219P001	CLIP CONDENSADOR (S/P)
378	WR203C5645P006	SOPORTE MOTOR EVAPORADOR (S/P)
380	WR238C3078P001	PLACA CONDENSADOR (S/P)
382	WR203C5909P002	EMPAQUE MOTOR VENTILADOR (S/P)
383	WR238C2684P002	EMPAQUE SOPORTE VENTILADOR EVA (S/P)
390	WR238C3235P004	BUJE PUERTA REGRIG. (S/P)
396	WR200D5311P008	TORNILLO DE SUJECION JAL REF (S/P)
398	WR238C1095P001	REJILLA SENSOR (S/P)
400	WR200D8684G007	PALANCA DE CIERRE DERECHO (S/P)
401	WR200D8684G008	PALANCA DE CIERRE IZQUIERDO (S/P)
404	WR238C3321P001	SOPORTE VENTILADOR EVAP (S/P)
410	WR238C3023P001	SELLO POSTERIOR DUCTO (S/P)
413	WR200D8418P001	SELLO ENTRADA FF (S/P)
421	WR355B1046P002	SEPARADOR TARJETA (S/P)
424	WR355B1263P001	CUBIERTA SENSOR (S/P)
425	WR355B1306P003	BLOQUE SELLO EVAPORADOR (S/P)
427	WR225D1524P001	REFLECTOR LAMPARA CONG. (S/P)
428	WR866160P03	ARANDELA PLASTICA (S/P)
429	WR200D9612P001	REFLECTOR LAMPARA REFRIG. (S/P)
520	WR243B2228P018	AISLAMIENTO TUBO DE SUCCION (S/P)
549	WR200D8146P001	CAJON BOTANAS (S/P)
550	WR200D1314P001	CORREDERA CAJON DERECHA (S/P)
551	WR200D1314P002	CORREDERA CAJON IZQUIERDA (S/P)
552	WR225D1502P001	CREMALLERA LATERAL REFR (S/P)
560	WR200D2664G006	TAPA TARJETA PRINCIPAL (S/P)
565	WR203C5538G002	SOPORTE PARA RESISTENCIA DESH. (S/P)
566	WR203C5692P003	CONDUCTOR DE CALOR P/ DESHIELO (S/P)

572	WR238C1284P001	SEPARADOR RIEL (S/P)
573	WR238C1676P001	BROCHE DE TERMISTOR (S/P)
619	WR200D9936P001	SOPORTE CORREDERA FZ (S/P)
620	WR200D9936P002	SOPORTE CORREDERA FZ (S/P)
621	WR200D9938P001	CORREDERA (S/P)
630	WR238C2715G001	ARNES LUZ CONGELADOR (S/P)
631	WR225D1032G002	ARNES CONTROL REFRIG. (S/P)
633	WR200D8330G001	ENSAMBLE CONTROL PANEL (S/P)
634	WR200D9321G001	DUCTO DAMPER ENS. (S/P)
667	WR870963P203	CINTA ESPUMADA ARO SOP COND (S/P)
668	WR868903P015	CINTILLO PLACA CONDENSADOR (S/P)
801	WR200D9932P001	SOPORTE CANASTA IZQ. (S/P)
802	WR200D9932P002	SOPORTE CANASTA DER. (S/P)
803	WR200D9939G002	ENSAMBLE SOPORTE (S/P)
804	WR238C3009G004	VENTANA DE AIRE ENS (S/P)
805	WR200D8510P001	EPS VENTANA REFRIGERADOR (S/P)
812	WR200D8198P002	VIGA SOPORTE (S/P)
813	WR200D9865P001	GUIA DIVISOR (S/P)
815	WR200D8343P002	CORREDERA CANASTA SUPERIOR IZQ (S/P)
816	WR200D8343P001	CORREDERA CANASTA SUPERIOR DER (S/P)
817	WR225D1029P001	CORREDERA IZQUIERDA (S/P)
818	WR225D2935G002	ENS CUBIERTA CAJON DE HIELO (S/P)
825	WR355B1024P001	RIEL ESPACIADOR FRONTAL IZQ (S/P)
826	WR355B1024P003	RIEL ESPACIADOR FRONTAL DER (S/P)
827	WR203C2160P001	GROMMET P/TORNILLO (S/P)
829	WR238C3464P001	SOPORTE AJUSTE PTA.CONG. (S/P)
830	WR238C3465P001	TORNILLO 1/4-20 UNC-2A (S/P)
846	WR225D2732G005	KIT BISAGRA CAMBIABLE (S/P)
847	WR200D8673P009	TAPA BISAGRA SUPERIOR (S/P)
848	WR200D8628G009	ENS.BISAGRA SUPERIOR Y PERNO (S/P)
849	WR225D1897G011	ENSAMBLE BISAGRA Y PIN PARADA (S/P)