

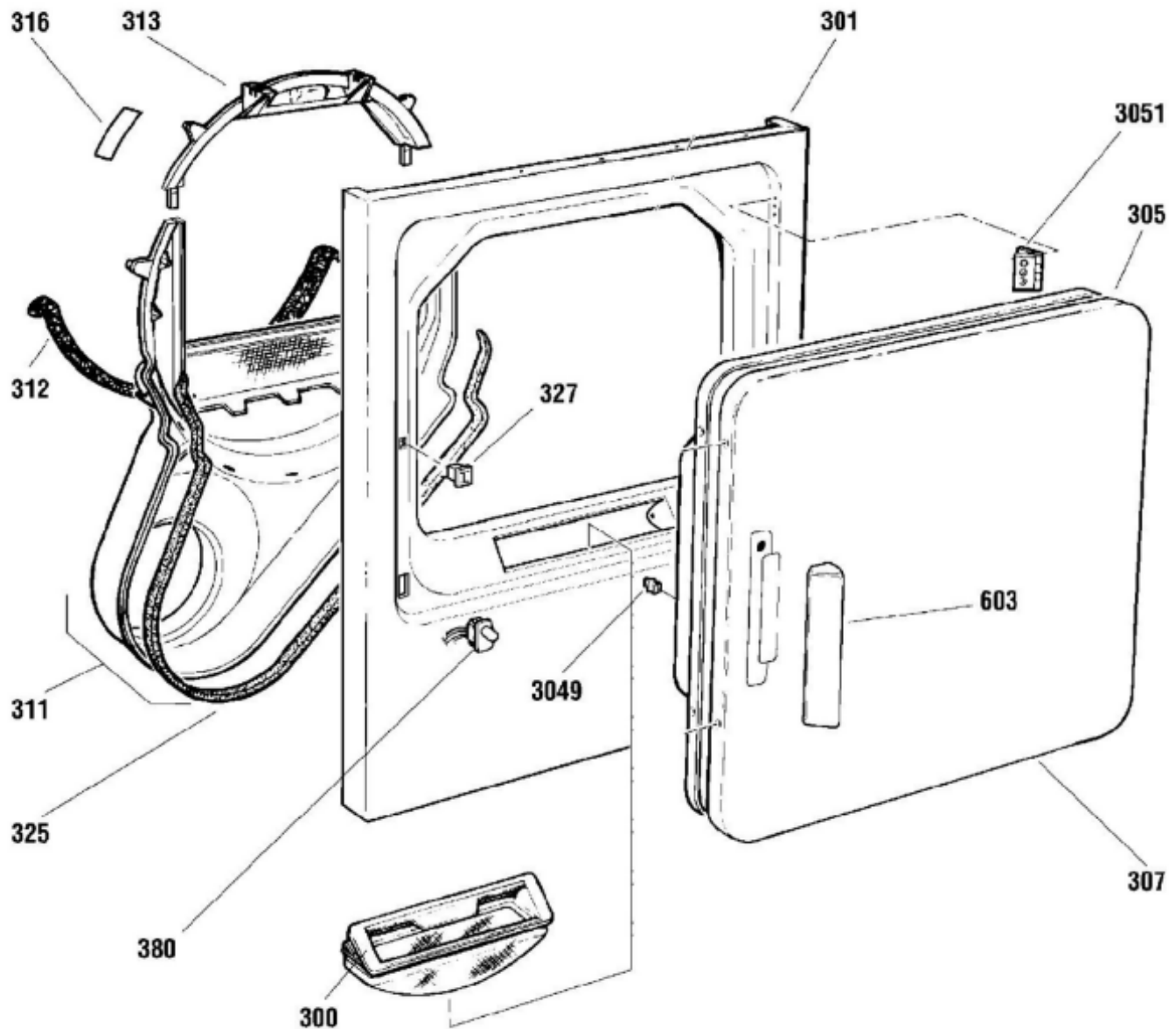
Distribuidor Autorizado

SurteRápido.com

Venta de Refacciones
Electrodomesticas

SECADORA GE1225EHWW

SGE1225EH6WW



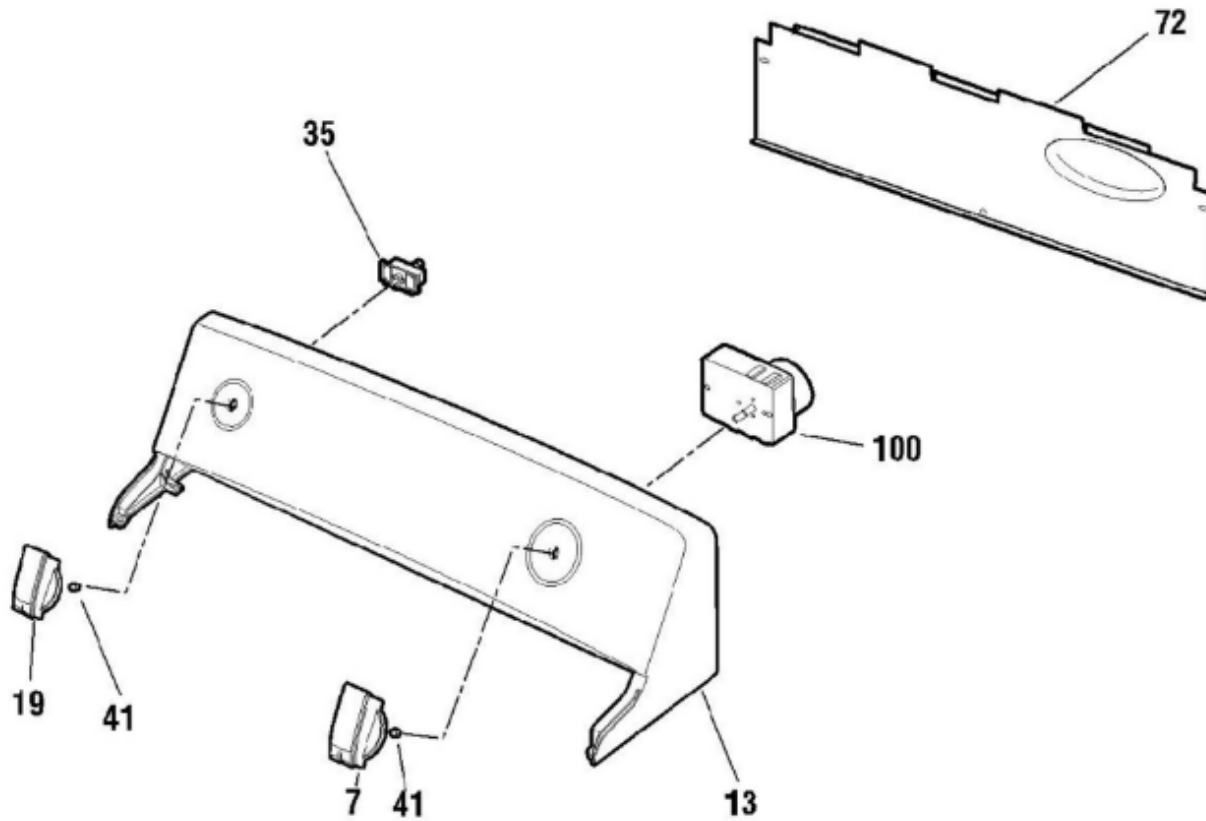
Distribuidor Autorizado

SurteRápido.com

Venta de Refacciones
Electrodomesticas

SECADORA GE1225EHWW

SGE1225EH6WW



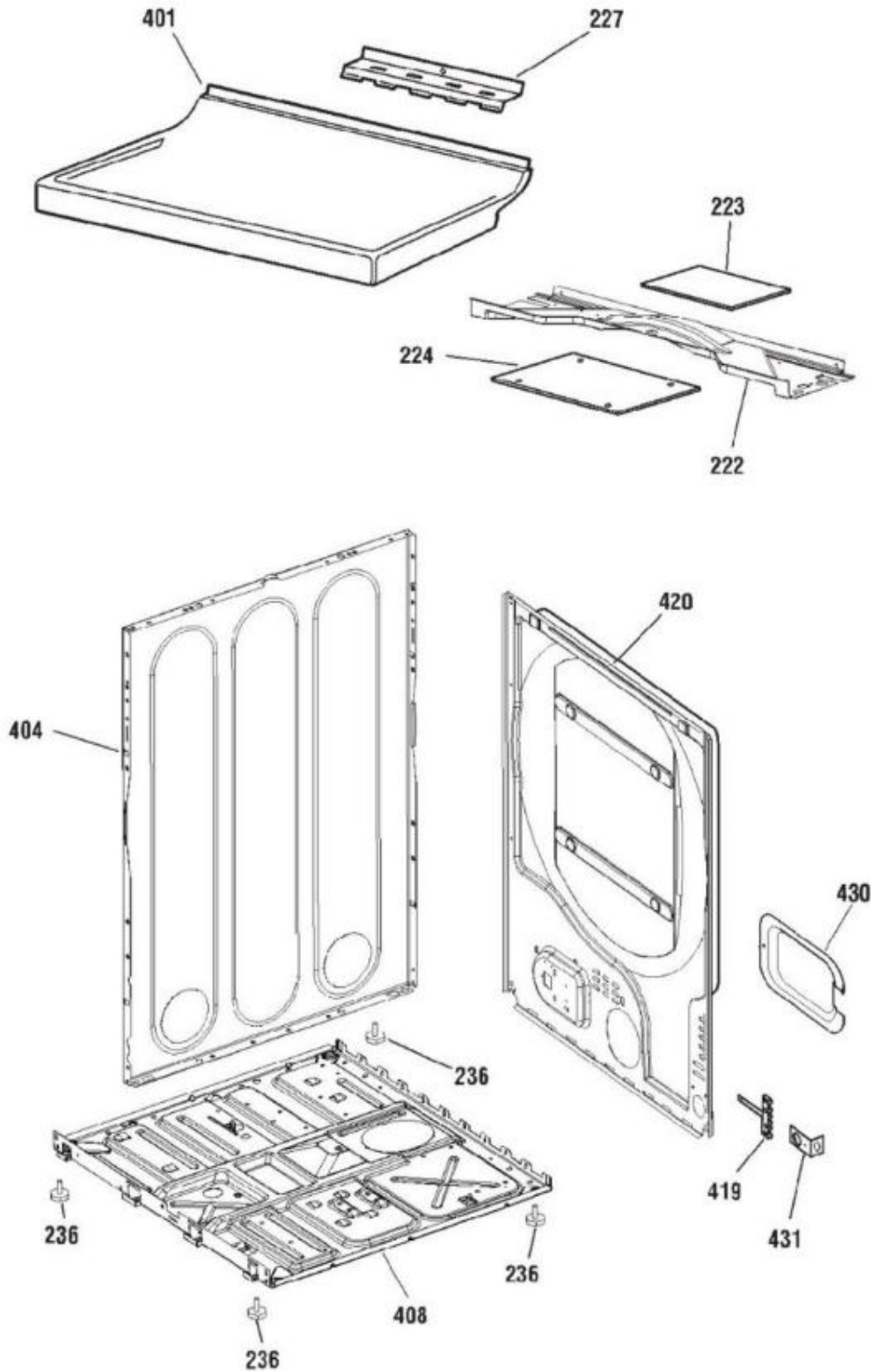
Distribuidor Autorizado

SurteRápido.com

Venta de Refacciones
Electrodomesticas

SECADORA GE1225HWW

SGE1225EH6WW



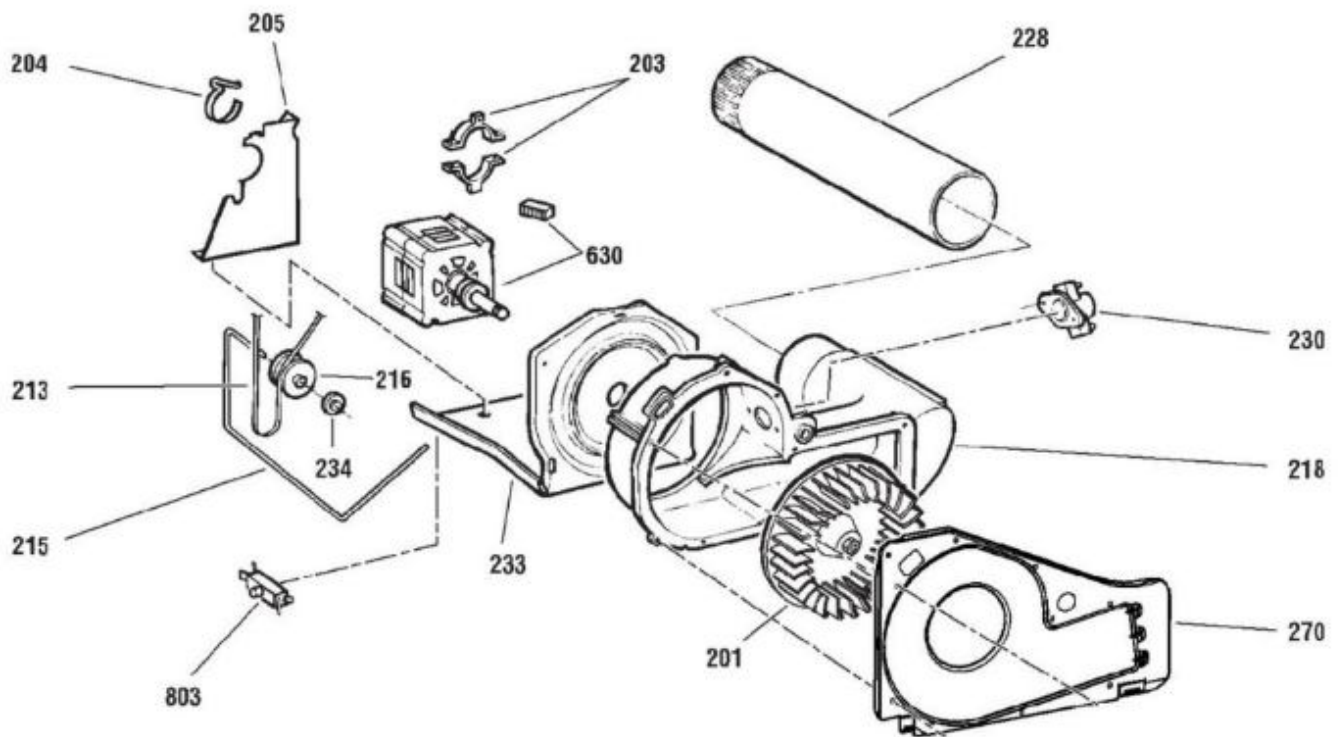
Distribuidor Autorizado

SurteRápido.com

Venta de Refacciones
Electrodomesticas

SECADORA GE1225EHWW

SGE1225EH6WW



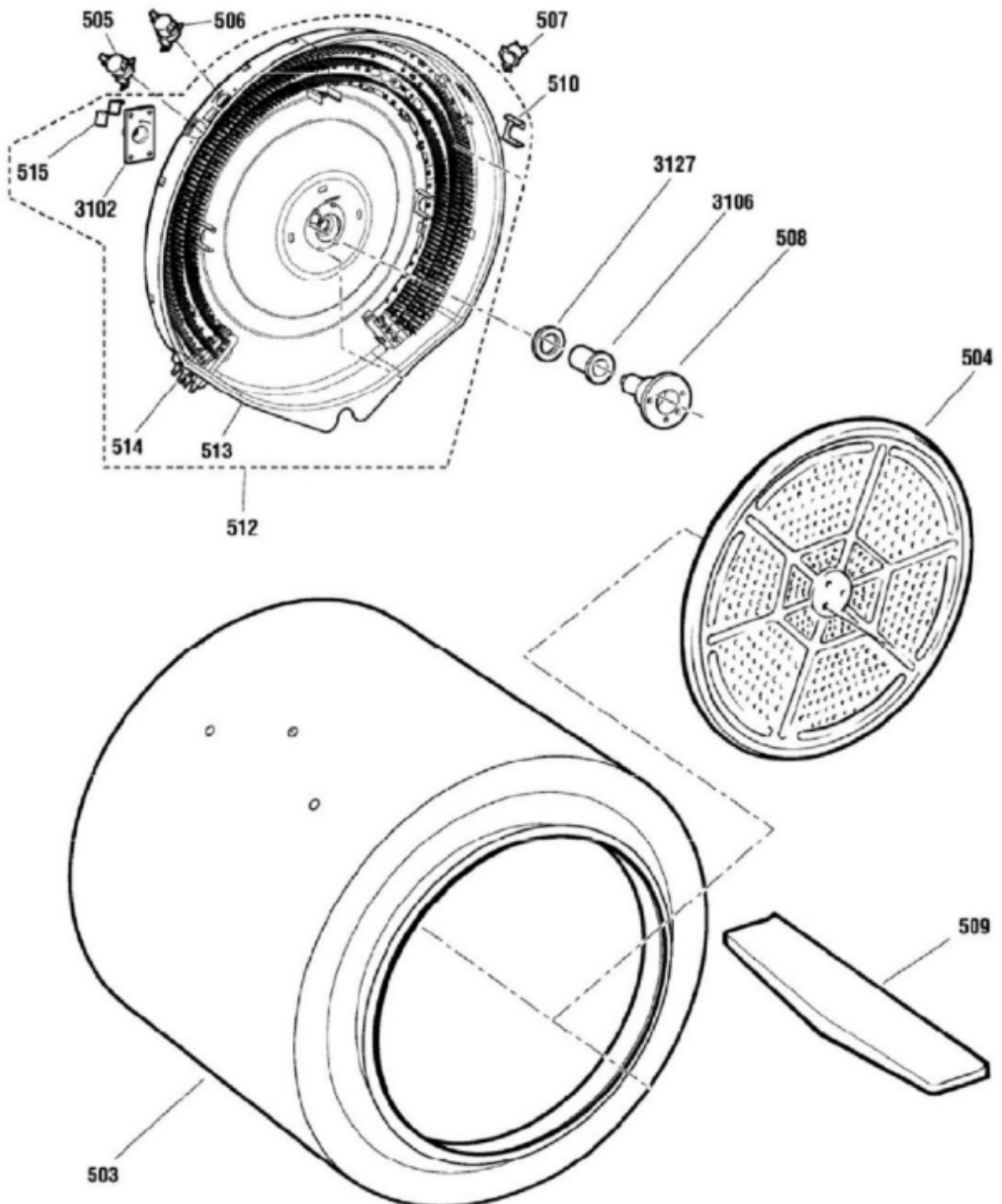
Distribuidor Autorizado

SurteRápido.com

Venta de Refacciones
Electrodomesticas

SECADORA GE1225HWW

SGE1225EH6WW



Distribuidor Autorizado

SurteRápido.com

Venta de Refacciones
Electrodomesticas

SECADORA GE1225EHWW

Guía	Componente	Descripción
7	WE1M693	CONTROL KNOB ASSY (WHITE)
13	WE19M1577	BACKSPLASH ASM.
19	WE1M694	ROTARY KNOB ASSY (WHITE)
35	WE4M402	START SWITCH
41	WE1X980	CLIP KNOB
72	WE19M1613	BACK PANEL
100	WE4M320	TIMER
112	WE1M384	PLUG DOOR WH
201	WE16M17	BLOWER WHEEL W/NUT INSER
203	WE13X182	STRAP MOTOR
204	WE1X921	MOTOR STRAP
205	WE13M39	SOPORTE
213	WE12M29	BANDA TRANSMISION
215	WE3M25	IDLER ARM SPRING
216	WE12M8	PULLEY IDLER
218	WE14M93	BLOWER HOUSING
218	WE1M473	GASKET SEAL, HSNG EXH.
222	WE20M428	BOTTOM COVER
223	WE1M776	HEAT PAD ADHESIVE
224	WE1M775	HEAT SHEILD MICA
228	WE14M90	ELBOW EXHAUST
228	WE14X20421	ELBOW EXHAUST
230	WE4M216	CONTROL TERMOSTATO
233	WE13M51	MOTOR PLATE
234	WE2M96	NUT CAP
234	WE2X329	NUT CAP
236	WE1M771	LEVELLING LEG-1PC Plasti
270	WE1M919	BLOWER PLATE
300	WE18M25	FILTER (WHITE)
301	WE20M405	FRONT PANEL "WHITE"
305	WE10M109	INNER DOOR ASM. " WHITE "
307	WE10M102	DOOR PANEL "WHITE"
311	WE14M92	AIR DUCT ASM.
312	WE9M15	FELT
312	WE09X27634	FELT

Distribuidor Autorizado

SurteRápido.com

Venta de Refacciones
Electrodomesticas

SECADORA GE1225EHWW

Guía	Componente	Descripción
313	WE3M26	TOP BEARING
316	WE1M504	BEARING-SLIDE WHITE
316	WE1M507	SLIDE, DRUM - GREEN
325	WE00M169	GASKET (SEAL)
327	WE1M536	LATCH
380	WE4M415	INTERRUPTOR PUERTA
401	WE20M286	COVER "WHITE"
404	WE20M426	SIDE PANEL WHITE
408	WE20M404	CABINET BASE BOTTOM
419	WE4M325	CLOTHES DRYER POWER TERMINAL BLOCK
420	WE20M432	REAR PANEL 6 C.F.
430	WE1M458	T-BLOCK COVER
431	WE1M457	SOPORTE ALIVIO TENSIÓN
503	WE21M14	DRUM ASM 6.0 CU.FT
504	WE14M77	DEFLECTOR HEAT
504	WE14X20408	DEFLECTOR HEAT
504	WE11X29438	DIFUSOR
505	WE4M160	THERM. L210
506	WE4M181	TERMOSTATO
507	WE4M137	TERMOSTATO
508	WE3X39	SOPORTE
508	WE3M33	SOPORTE
508	WE3M33	SHAFT & BRACKET ASM
508	WE3M33	SHAFT & BRACKET ASM
509	WE14M75	BAFFLE
510	WE1M780	SOPORTE DE PROTECCION
512	WE11M30	MICA HEATER & HSNG ASM
513	WE11M31	HOUSING HEATER
514	WE11M32	MICA UNIT ASM
515	WE1M554	GROUND STRAP ASM
515	278B1309G001F	GROUND STRAP ASM
515	278B1309G002	GROUND STRAP ASSEMBLY
603	WE1M463	HANDLE "WHITE"
630	WE17M37	ENSAMBLE MOTOR
630	WE1M650	CONNECTOR MOTOR

Distribuidor Autorizado

SurteRápido.com

Venta de Refacciones
Electrodomesticas

SECADORA GE1225EHWW

Guía	Componente	Descripción
803	WD21X557	SWITCH INTER.
3049	WE1X1192	TOPE PUERTA
3051	WE1M505	HINGE
3102	WE1M300	BUJE PARA SECADORA
3106	WE1M462	SLEEVE BEARING
3127	WE1M461	O RING