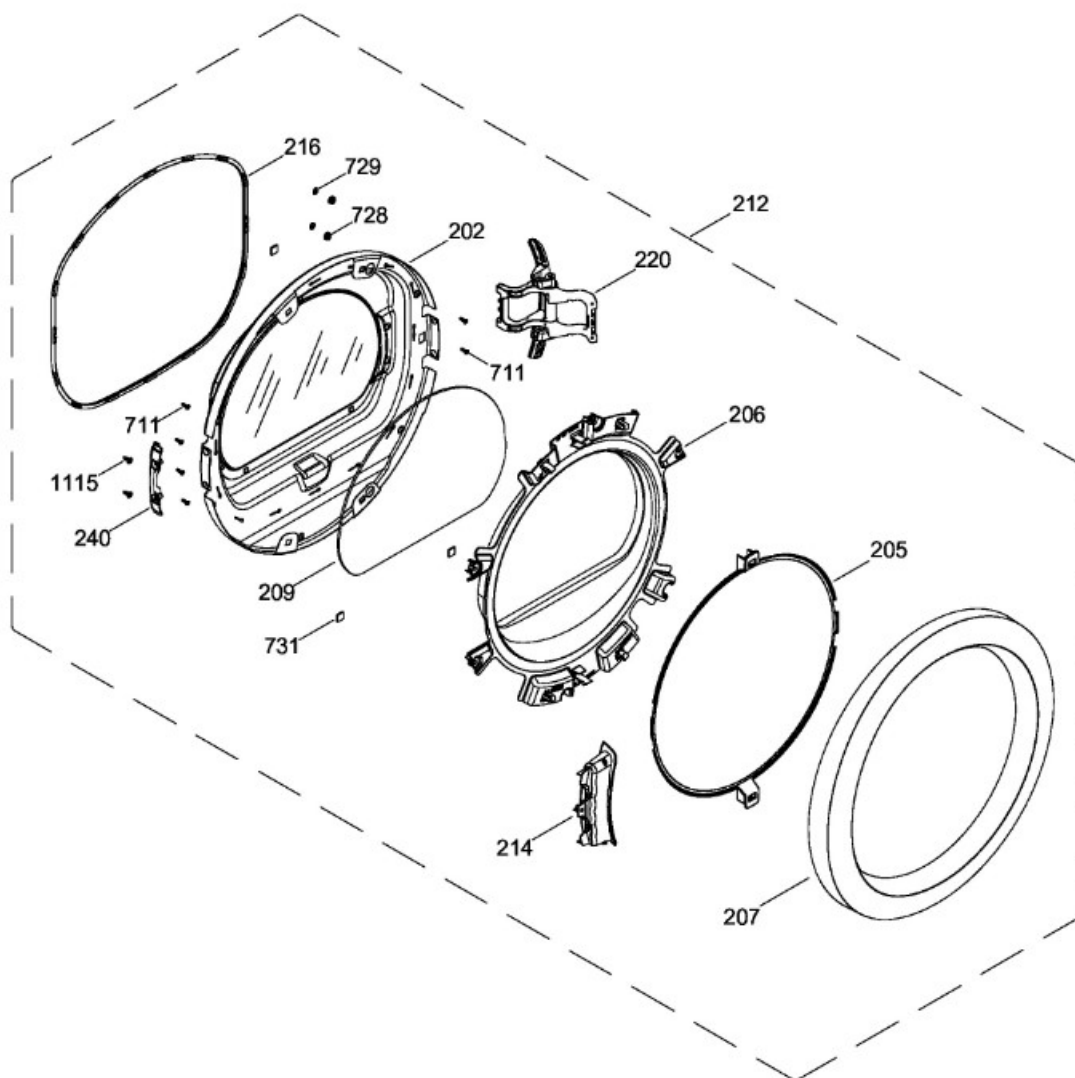


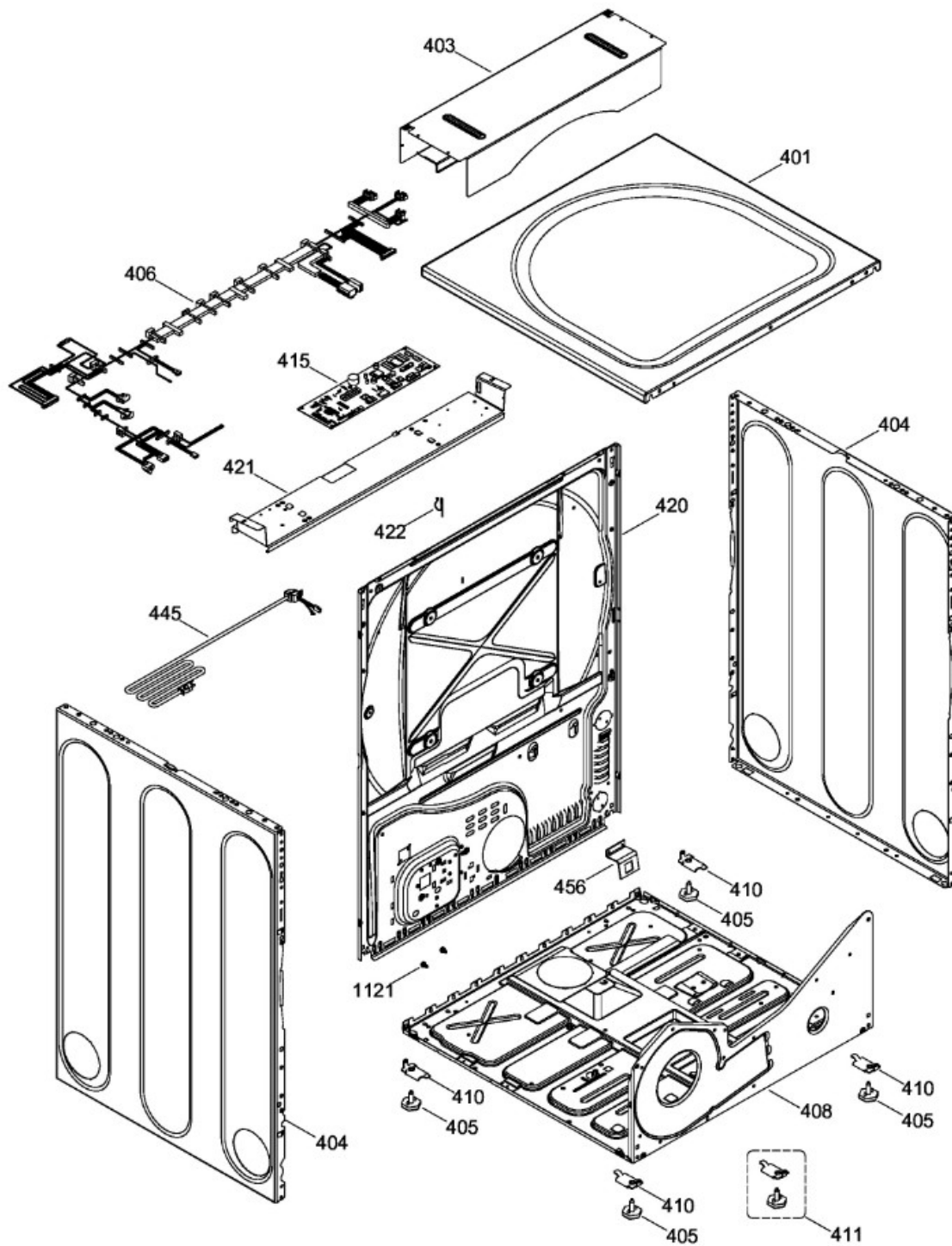
PUERTA (ENS) / DOOR (ASM)

GFD40GSCM0WW



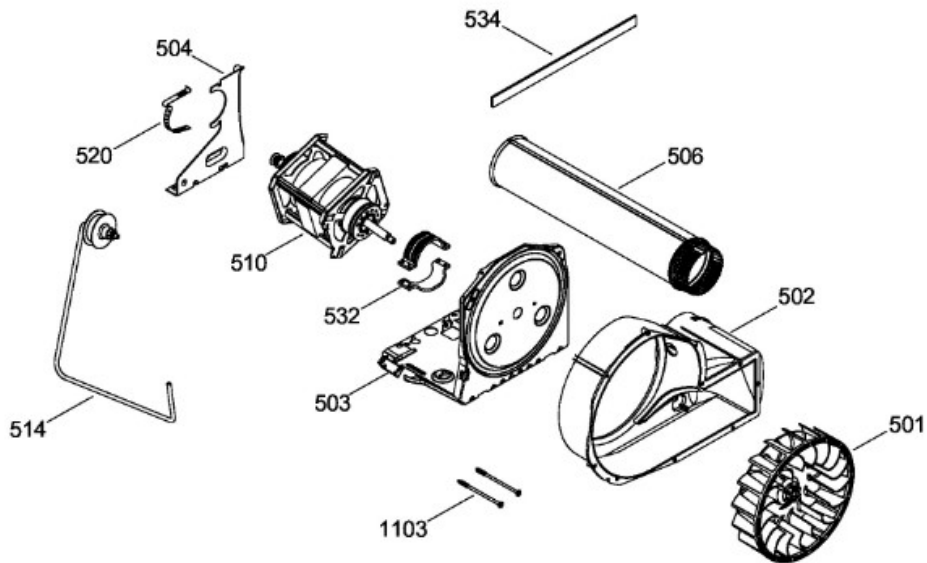
GABINETE / STRUCTURE

GFD40GSCM0WW

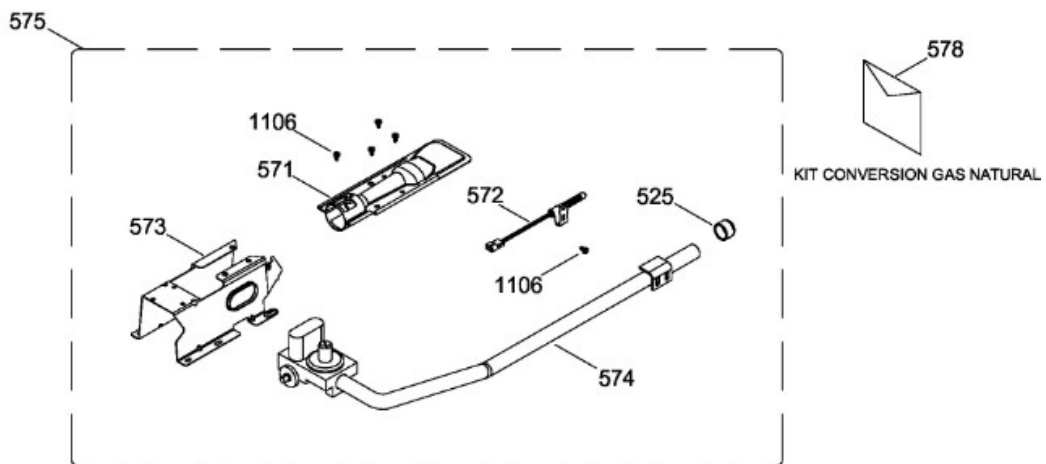


SISTEMA DE TRANSMISION (ENS) / BLOWER & DRIVE (ASM)

GFD40GSCM0WW

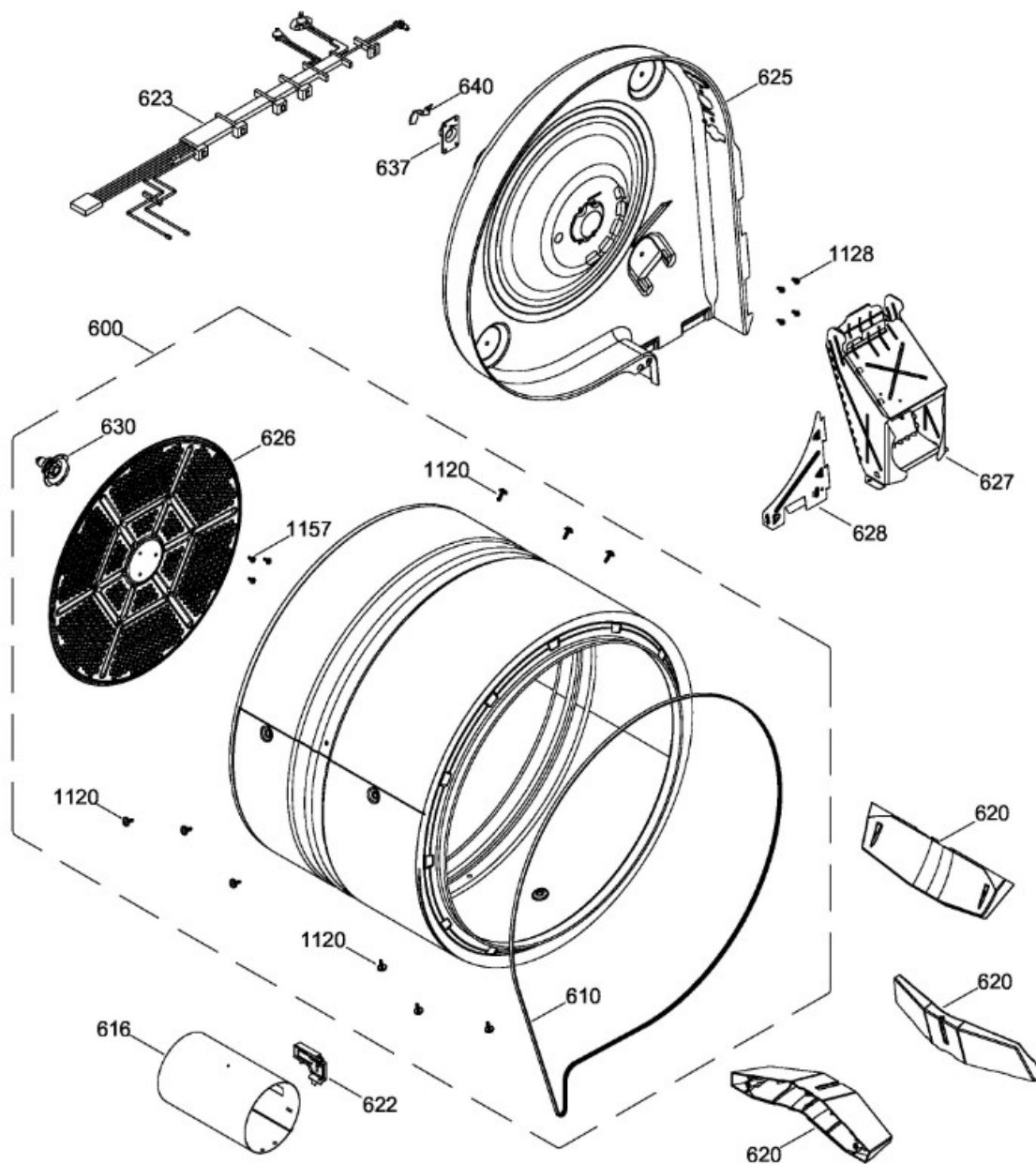


QUEMADOR / BURNER



TAMBOR (ENS) / DRUM (ASM)

GFD40GSCM0WW



Guía	Refacción	Descripción
1	WW02L00645	ENSAMBLE PANEL DE CONTROL
7	WW03L00344	PERILLA
31	WW03F00330	TARJETA Y CHASIS ENSAMBLE
32	WW03L00218	PROTECTOR FRONTAL
100	WW03L00219	PANEL FRONTAL(BCO)
101	WW02F00614	MARCO Y FILTRO ENSAMBLE
102	WW02L00025	INTERRUPTOR PUERTA
103	WW03L00187	SELLO FILTRO
106	WW02F00613	CUBIERTA COLECTOR DE AIRE
108	WW02L00172	DOOR SWITCH COVER
110	WW02L00412	TOP BEARING ENSAMBLE
110	WW02L00519	TOP BEARING ENSAMBLE
113	WW02F00783	FELPA DUCTO RECOLECTOR
115	WW03A00015	COJINETE DESLIZABLE
116	WW03A00016	COJINETE DESLIZABLE
116	WW02A00250	COJINETE DESLIZABLE
119	WW02F00784	FELPA
123	WW02A00056	STRIKE PLATE
124	WW02A00057	STRIKE PLATE
125	WW02F00088	SENSOR ROD
126	WW03A00117	SELLO
127	WW03F00458	LAMPARA
128	WW03F00354	SELLO
129	WW03F00469	HARNAIS DE FIL
135	WW03F00307	SEGURO
136	WW03L00221	TAPON CIEGO(GRIS)
137	WW03F00308	DUCTO TRAMPA ENS
137	WW02F00610	DUCTO TRAMPA ENS
142	WW02A00093	NUT-STRIP DOOR GUIDE
144	WW02L00167	DOOR GUIDE
146	WW02F00135	HARNESS SENSORS
202	WW03L00222	PUERTA SUB ENSAMBLE
205	WW03L00223	VENTANA EXTERIOR
206	WW03F00309	MASCARA PUERTA
207	WW03A00163	ANILLO EXTERIOR PUERTA
209	WW02L00168	DOOR INNER WINDOW
212	WW03L00361	PUERTA ENSAMBLE

Guía	Refacción	Descripción
213	WW02L00037	LATCH ASM.
214	WW03L00225	INSERTO JALADERA
216	WW02L00414	SELLO PUERTA
220	WW03L00227	BISAGRA ENS
236	WW02A00065	BOTON BELLEZA
240	WW03L00228	CUBIERTA BISAGRA
401	WW03L00229	TAPA SUPERIOR(BCO)
403	WW03A00155	PLACA POSTERIOR
404	WW02L00644	LATERAL BLANCO
405	WW02L00191	PATTE DE NIVELLEMENT
406	WW02F00508	ENSAMBLE ARNES GAS
408	WW03L00230	BASE CHASIS
409	WW03A00160	LOGO GE
410	WW02A00113	SUPPORT (PATTE DE NIVELLEMENT
411	WW02F00139	LEVELING LEG ASSEMBLY
415	WW02F00789	TARJETA ENSAMBLE
420	WW03L00292	PANEL POSTERIOR
420	WW02L00416	PANEL POSTERIOR
421	WW02F00140	MAIN POWER BOARD SUPPORT
422	WW02F00022	CORD SET RETAINER
445	WW02F00091	CABLE TOMACORRIENTE
456	WW02A00037	BRIDE
501	WW01F01162	VENTILADOR REDONDO
501	WW02A00011	VENTILADOR REDONDO
502	WW03F00311	CAJA VENTILADOR
503	WW02L00642	BASE MOTOR NV
504	WW02F00027	SOPORTE MOTOR
506	WW02F00721	DUCTO DE ESCAPE
510	WW03F00447	MOTOR POLEA ENSAMBLE
514	WW02A00008	ENS. BRAZO AUXILIAR
514	WW03F00350	ENS. BRAZO AUXILIAR
520	WW02F00031	CLIP MOTOR
525	WW02A00003	TAPA
532	WW02F00003	CORREA MOTOR
532	WW02A00232	CORREA MOTOR
534	WW02F00785	EMPAQUE ESCAPE VENTILADOR
571	WW02A00020	QUEMADORES

Guía	Refacción	Descripción
572	WW02F00740	ENCENDEDOR INCANDESCENTE
572	WW01F01432	ENCENDEDOR INCANDESCENTE
573	WW03A00125	SOPORTE VALVULA DE GAS
574	WW02A00155	ENS VALVULA Y TUBERIA GAS NAT
575	WW02F00079	VALVULA Y QUEMADOR ENS
578	WW01F01529	VALVULA Y TUBO PARA GAS LP
600	WW02L00489	TAMBOR Y ALETAS ENS
610	WW02F00028	BANDA SECADORA
610	WW02F00854	BANDA SECADORA
616	WW02F00260	TUBO DE COMBUSTION
616	WW02F00260	TUBO DE COMBUSTION
620	WW02L00143	BAFFLE
622	WW02F00001	DETECTOR TERMOSTATO
623	WW03F00477	ARNES GAS
625	WW03F00095	DIFUSOR DE GAS
625	WW02F00824	DIFUSOR DE GAS
626	WW02F00827	DIFUSOR
627	WW03F00539	DUCTO DE TRANSICION
628	WW03F00097	PLATO DIFUSOR
628	WW03F00097	PLATO DIFUSOR
630	WW02A00019	ENS. SOPORTE BUJE
637	WW02A00005	RETENEDOR RODAMIENTO
640	WW02F00833	SOPORTE TIERRA ENS
700	WW02A00102	SCREW CHASSIS TO FRONT HSG.
701	WW02A00087	ENCLOSED SCREW GROMMET
704	WW02A00031	TORNILLO
707	WW01A00539	TORNILLO
708	WW02A00097	SCREW
711	WW02A00101	TORNILLO
723	WW03A00145	TORNILLO HI/LO 8-18
728	WW02A00114	TUERCAS
729	WW03A00146	ARANDELAS
731	WW03A00147	CALZA
734	WW03A00156	TORNILLO 8-18 AB PNQ2
1103	WW02A00032	TORNILLO
1106	WW02A00027	SCREW
1115	WW01A00450	TORNILLO 8-18 AB 1/2

Guía	Refacción	Descripción
1120	WW02A00224	TORNILLO Y ARANDELA ENSAMBLE
1121	WW01A00001	TORNILLO
1128	WW02A00211	TORNILLO ESTANDARIZANTE
1131	WW02A00028	TORNILLO
1157	WW01A00456	TORNILLO #10