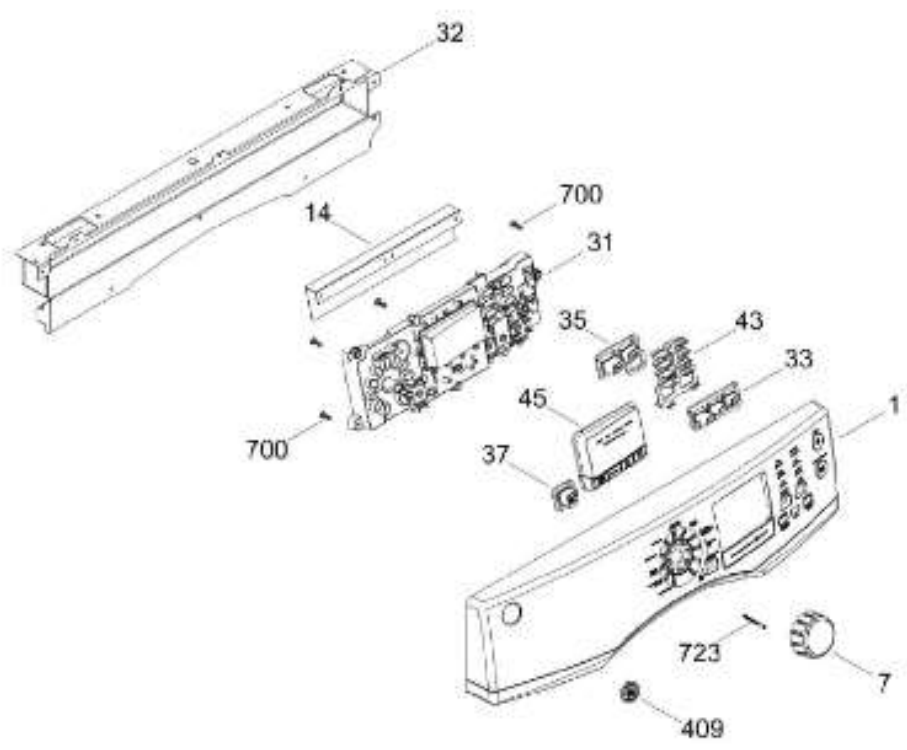




SECADORA GFD45ESMM1DG

SISTEMA CONTROLES / CONTROL SYSTEM

GFD45ESMM1DG



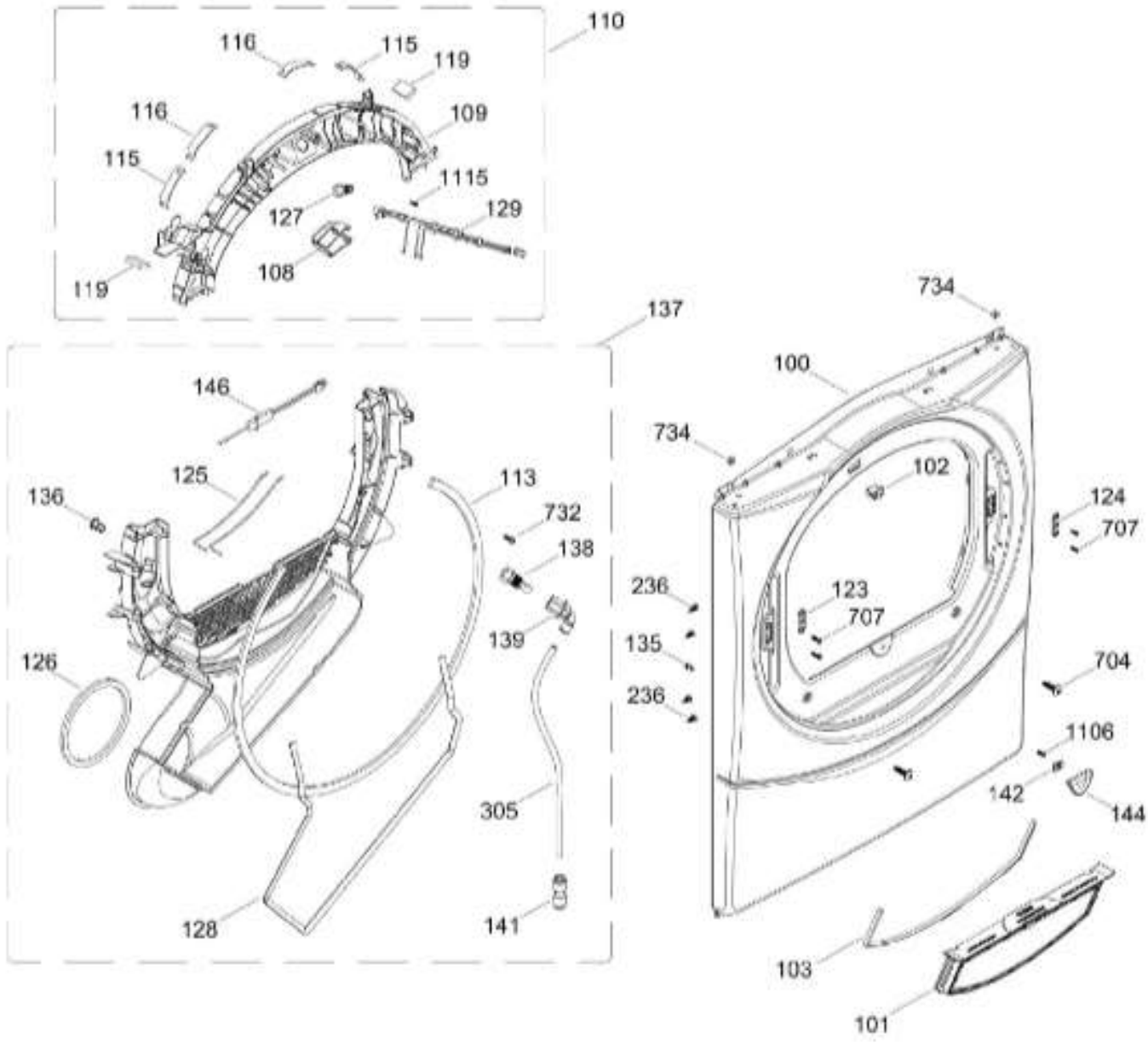
BENITO JUÁREZ #1500 GPE ZITON, CD. GUADALUPE NUEVO LEÓN TEL: 8183377999 Y 49
HORARIOS: LUNES A VIERNES 8:30 A 6:00 PM Y SÁBADOS DE 8:30 A 2:00 PM
WEB: www.denek.com



SECADORA GFD45ESMM1DG

PANEL FRONTAL (ENS) / FRONT PANEL (ASM)

GFD45ESMM1DG



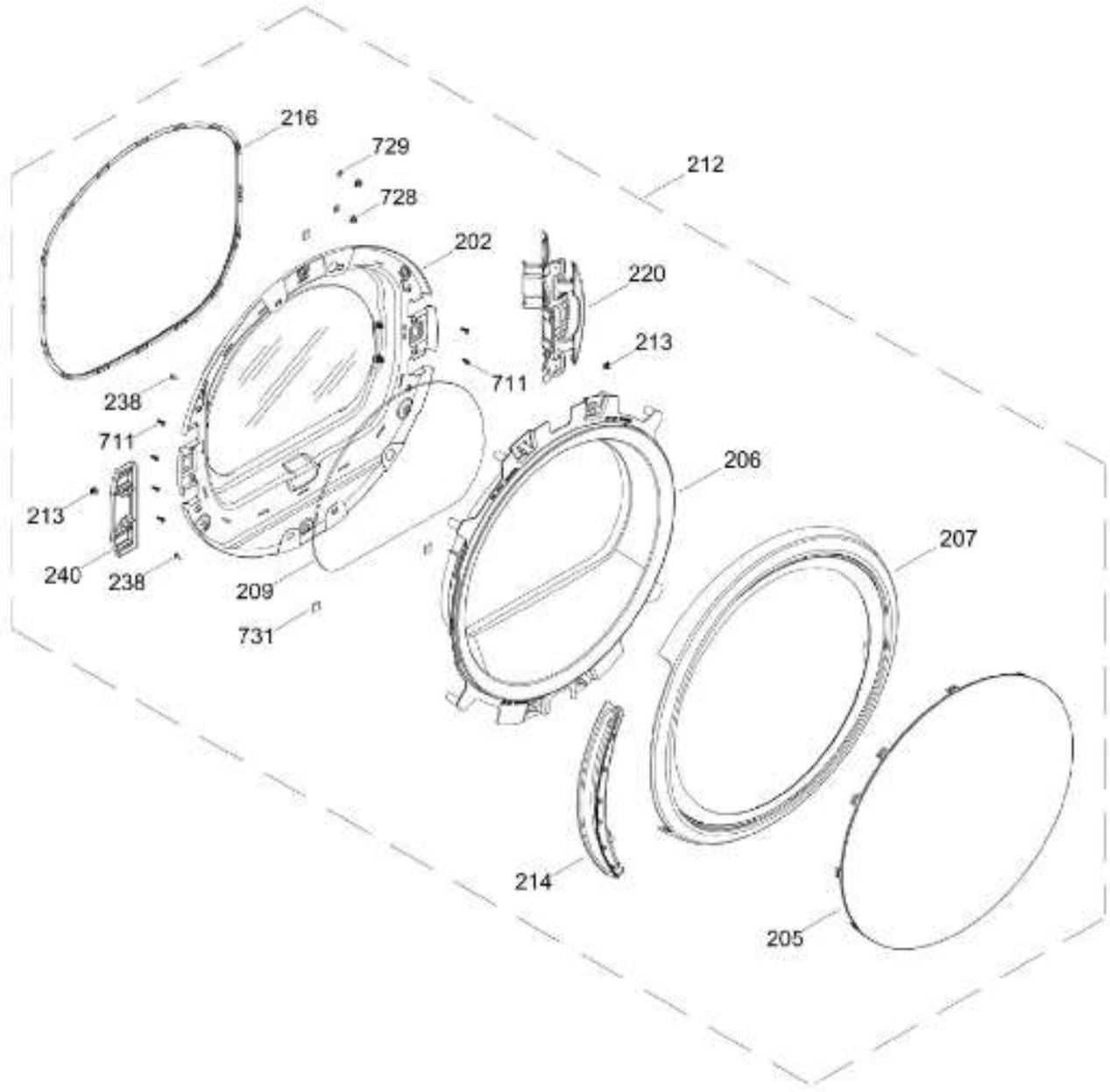
BENITO JUÁREZ #1500 GPE ZITON, CD. GUADALUPE NUEVO LEÓN TEL: 8183377999 Y 49
HORARIOS: LUNES A VIERNES 8:30 A 6:00 PM Y SÁBADOS DE 8:30 A 2:00 PM
WEB: www.denek.com



SECADORA GFD45ESMM1DG

PUERTA (ENS) / DOOR (ASM)

GFD45ESMM1DG



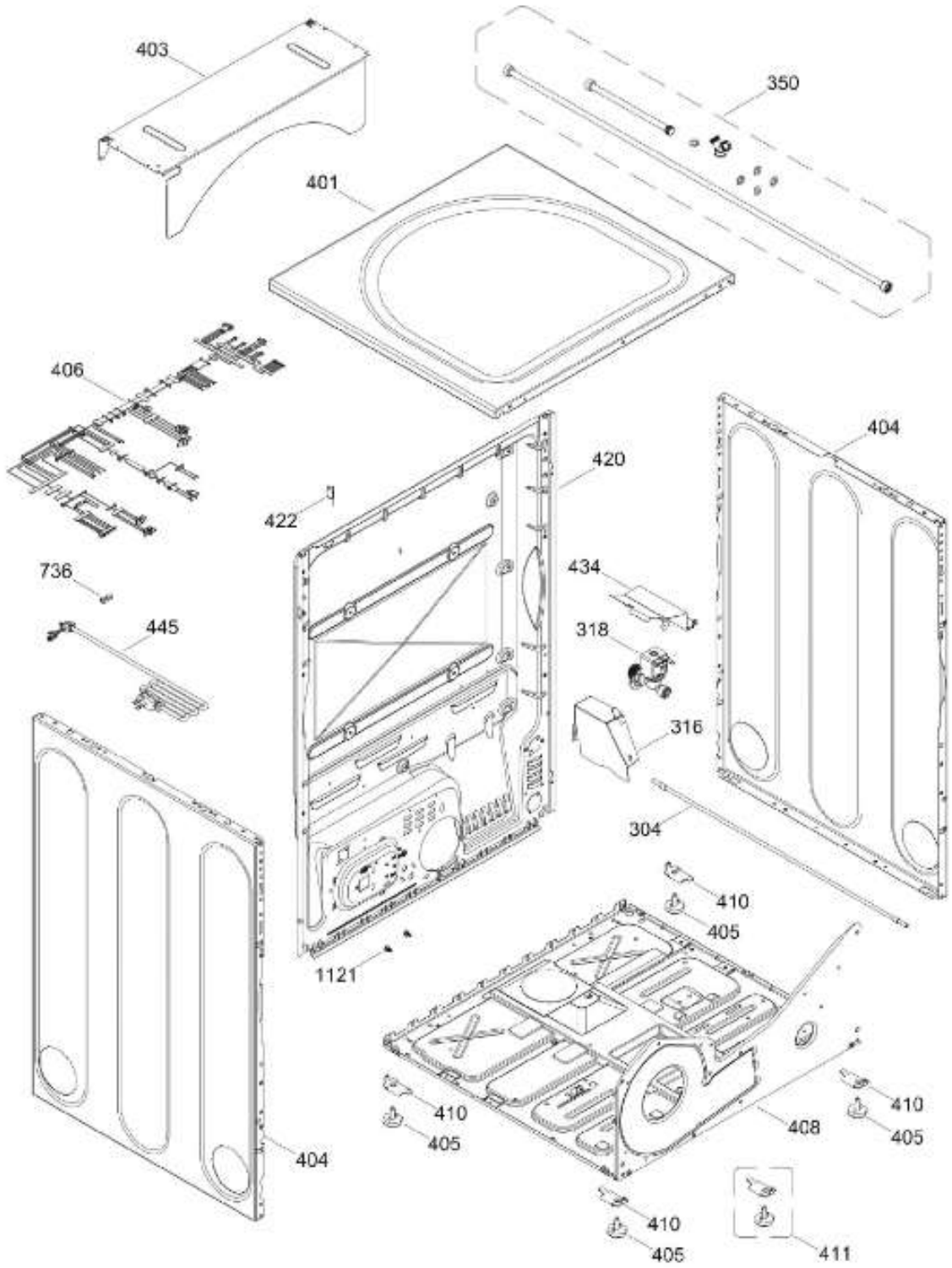
BENITO JUÁREZ #1500 GPE ZITON, CD. GUADALUPE NUEVO LEÓN TEL: 8183377999 Y 49
HORARIOS: LUNES A VIERNES 8:30 A 6:00 PM Y SÁBADOS DE 8:30 A 2:00 PM
WEB: www.denek.com



SECADORA GFD45ESMM1DG

GABINETE / STRUCTURE

GFD45ESMM1DG



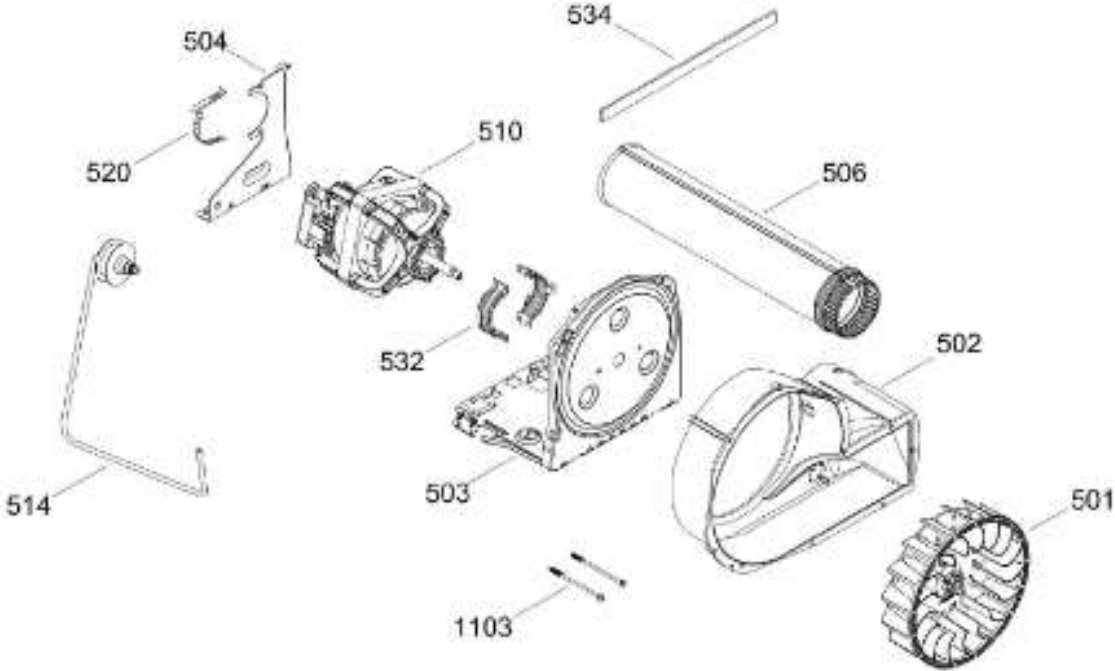
BENITO JUÁREZ #1500 GPE ZITON, CD. GUADALUPE NUEVO LEÓN TEL: 8183377999 Y 49
HORARIOS: LUNES A VIERNES 8:30 A 6:00 PM Y SÁBADOS DE 8:30 A 2:00 PM
WEB: www.denek.com



SECADORA GFD45ESMM1DG

SISTEMA DE TRANSMISION (ENS) / BLOWER & DRIVE (ASM)

GFD45ESMM1DG



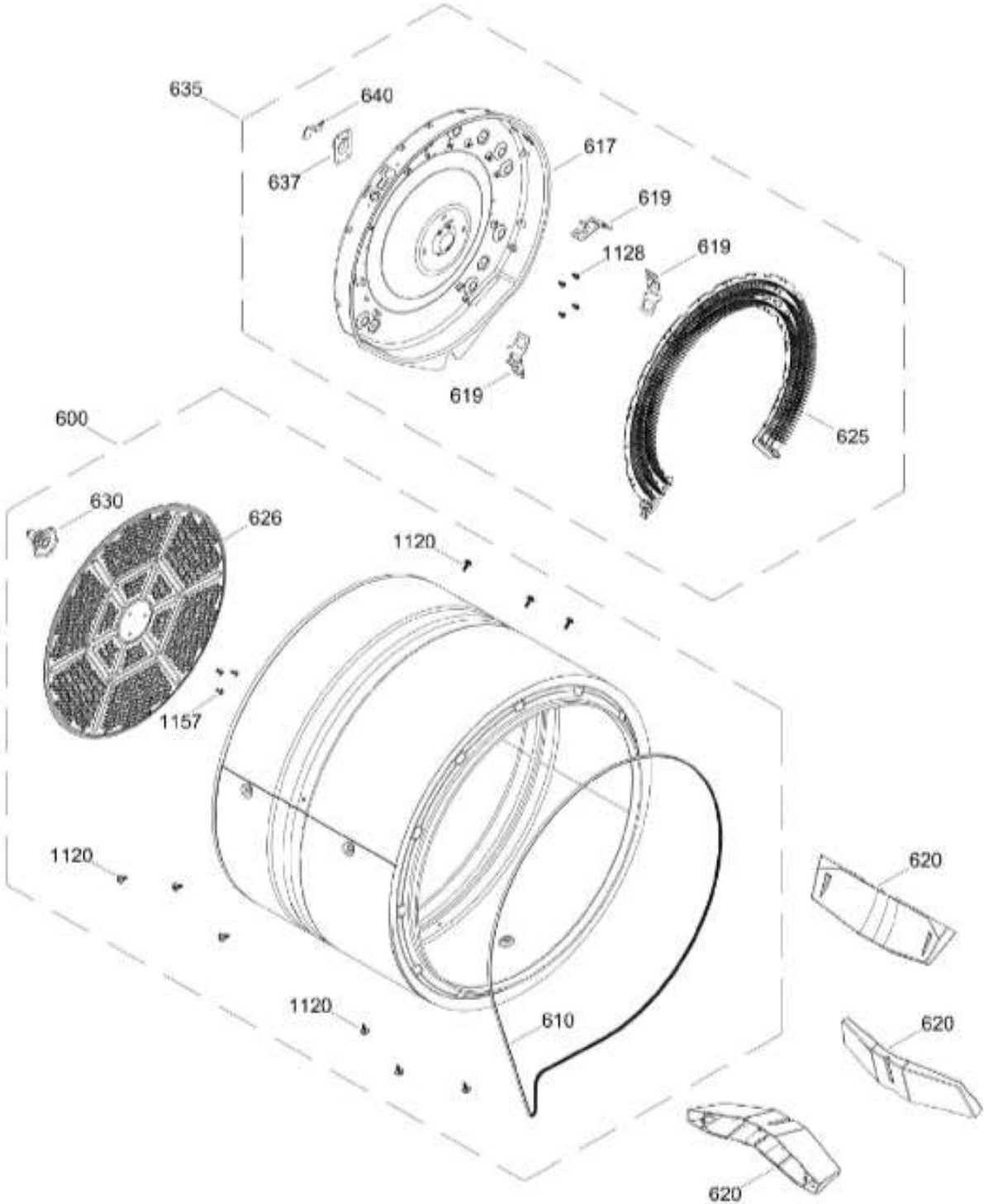
BENITO JUÁREZ #1500 GPE ZITON, CD. GUADALUPE NUEVO LEÓN TEL: 8183377999 Y 49
HORARIOS: LUNES A VIERNES 8:30 A 6:00 PM Y SÁBADOS DE 8:30 A 2:00 PM
WEB: www.denek.com



SECADORA GFD45ESMM1DG

TAMBOR (ENS) / DRUM (ASM)

GFD45ESMM1DG



BENITO JUÁREZ #1500 GPE ZITON, CD. GUADALUPE NUEVO LEÓN TEL: 8183377999 Y 49
HORARIOS: LUNES A VIERNES 8:30 A 6:00 PM Y SÁBADOS DE 8:30 A 2:00 PM
WEB: www.denek.com

Guía	Refacción	Descripción
1	WW02L00647	ENSAMBLE PANEL DE CONTROL
7	WW03L00343	PERILLA
14	WW03F00492	BARRERA TERMICA
31	WW02F00810	ENS CHASIS Y TARJETA
32	WW02L00411	ESCUDO FRONTAL
33	WW03F00495	ENS BOTON EDRY/VOL/LOCK
35	WW03F00488	ENS BOTON TEMP/LEVEL
37	WW03F00490	ENS BOTON ADD TIME
43	WW03A00213	GUIA DE LUZ SUPERIOR
45	WW03F00491	ENS PANTALLA Y BOTONES
100	WW03L00262	PANEL FRONTAL
101	WW02F00614	MARCO Y FILTRO ENSAMBLE
102	WW02L00025	INTERRUPTOR PUERTA
103	WW03L00187	SELLO FILTRO
108	WW02L00172	DOOR SWITCH COVER
109	WW02A00086	COJINETE SUP.
110	WW02L00413	COJINETE SUPERIOR ENSAMBLE
110	WW02L00520	COJINETE SUPERIOR ENSAMBLE
113	WW02F00783	FELPA DUCTO RECOLECTOR
115	WW03A00015	COJINETE DESLIZABLE
116	WW03A00016	COJINETE DESLIZABLE
116	WW02A00250	COJINETE DESLIZABLE
119	WW02F00784	FELPA
123	WW02A00056	STRIKE PLATE
124	WW02A00057	STRIKE PLATE
125	WW02F00088	SENSOR ROD
126	WW03F00354	SELLO
127	WW03F00458	LAMPARA
128	WW03A00117	SELLO
129	WW03F00469	HARNAIS DE FIL
135	WW03F00307	SEGURO
136	WW03L00221	TAPON CIEGO(GRIS)
137	WW02F00372	DUCTO TRAMPA ENSAMBLE
137	WW02F00603	DUCTO TRAMPA ENSAMBLE
138	WW02A00092	BOQUILLA

Guía	Refacción	Descripción
139	WW02F00121	CODO
141	WW01F01458	CONECTOR DE SERVICIO
142	WW02A00093	NUT-STRIP DOOR GUIDE
144	WW02L00167	DOOR GUIDE
146	WW02F00135	HARNESS SENSORS
202	WW03L00375	PUERTA SUBENSAMBLE
202	NLA	PUERTA SUBENSAMBLE
205	WW02L00570	VENTANA EXTERIOR
206	WW02L00338	MASCARA PUERTA
207	WW03F00432	ANILLO PUERTA EXTERIOR
209	WW02L00168	DOOR INNER WINDOW
212	WW02L00568	ENSPUERTA
213	WW02L00037	LATCH ASM.
214	WW03L00319	JALADERA
216	WW02L00414	SELLO PUERTA
220	WW02L00373	HINGE ASM
236	WW03L00364	BOTON DE BELLEZA
238	WW02A00082	BEAUTY BOTTON
240	WW02L00372	COVER HINGE
304	WW03F00317	TUBO
305	WW03F00132	TUBO FRONTAL
316	WW03L00202	PROTECTOR VALVULA DE AGUA
318	WW02F00182	VALVULA DE AGUA
350	WW02A00088	KIT MANGUERAS EXTERNAS
401	WW03L00281	PANEL SUPERIOR
403	WW02L00197	PLACA POSTERIOR
403	WW02L00197	PLACA POSTERIOR
403	WW02F00720	REAR PLATE
404	WW03L00259	PANEL LATERAL
405	WW02L00191	PATTE DE NIVELLEMENT
406	WW02F00509	ARNES ELECTRICO ENSAMBLE
408	WW03L00230	BASE CHASIS
409	WW03A00160	LOGO GE
410	WW02A00113	SUPPORT (PATTE DE NIVELLEMENT
411	WW02F00139	LEVELING LEG ASSEMBLY

Guía	Refacción	Descripción
420	WW02L00196	REAR PANEL
422	WW02F00022	CORD SET RETAINER
434	WW03L00110	CUBIERTA TERMOSTATO
445	WW03F00109	CORDON TOMACORRIENTE(240V CA)
501	WW01F01162	VENTILADOR REDONDO
501	WW02A00011	VENTILADOR REDONDO
502	WW03F00311	CAJA VENTILADOR
503	WW02L00642	BASE MOTOR NV
504	WW02F00027	SOPORTE MOTOR
506	WW02F00721	DUCTO DE ESCAPE
510	WW03F00447	MOTOR POLEA ENSAMBLE
514	WW02A00008	ENS. BRAZO AUXILIAR
514	WW03F00350	ENS. BRAZO AUXILIAR
520	WW02F00031	CLIP MOTOR
532	WW02F00003	CORREA MOTOR
532	WW02A00232	CORREA MOTOR
534	WW02F00785	EMPAQUE ESCAPE VENTILADOR
600	WW02F00786	ENSAMBLE TAMBOR
610	WW02F00028	BANDA SECADORA
610	WW02F00854	BANDA SECADORA
617	WW02L00021	CUBIERTA CALENTADOR
619	WW01A00442	SOPORTE DE PROTECCION
620	WW03L00372	ALETA
625	WW03F00180	CALENTADOR ENS
626	WW02F00827	DIFUSOR
630	WW02A00019	ENS. SOPORTE BUJE
635	WW03F00366	MICA HEAT & HOUSING AS
637	WW02A00005	RETENEDOR RODAMIENTO
640	WW02F00833	SOPORTE TIERRA ENS
700	WW02A00102	SCREW CHASSIS TO FRONT HSG.
704	WW02A00031	TORNILLO
707	WW01A00539	TORNILLO
711	WW02A00101	TORNILLO
723	WW03A00145	TORNILLO HI/LO 8-18
728	WW02A00114	TUERCAS

Guía	Refacción	Descripción
729	WW03A00146	ARANDELAS
731	WW02A00120	CALZA
732	WW03A00092	TORNILLO 6-16 B B1Q1 3/4
734	WW03A00156	TORNILLO 8-18 AB PNQ2
736	WW03A00159	PROTECTOR TERMINALES
1103	WW02A00032	TORNILLO
1106	WW02A00027	SCREW
1115	WW01A00450	TORNILLO 8-18 AB 1/2
1120	WW02A00224	TORNILLO Y ARANDELA ENSAMBLE
1121	WW01A00001	TORNILLO
1128	WW02A00211	TORNILLO ESTANDARIZANTE
1157	WW01A00456	TORNILLO #10