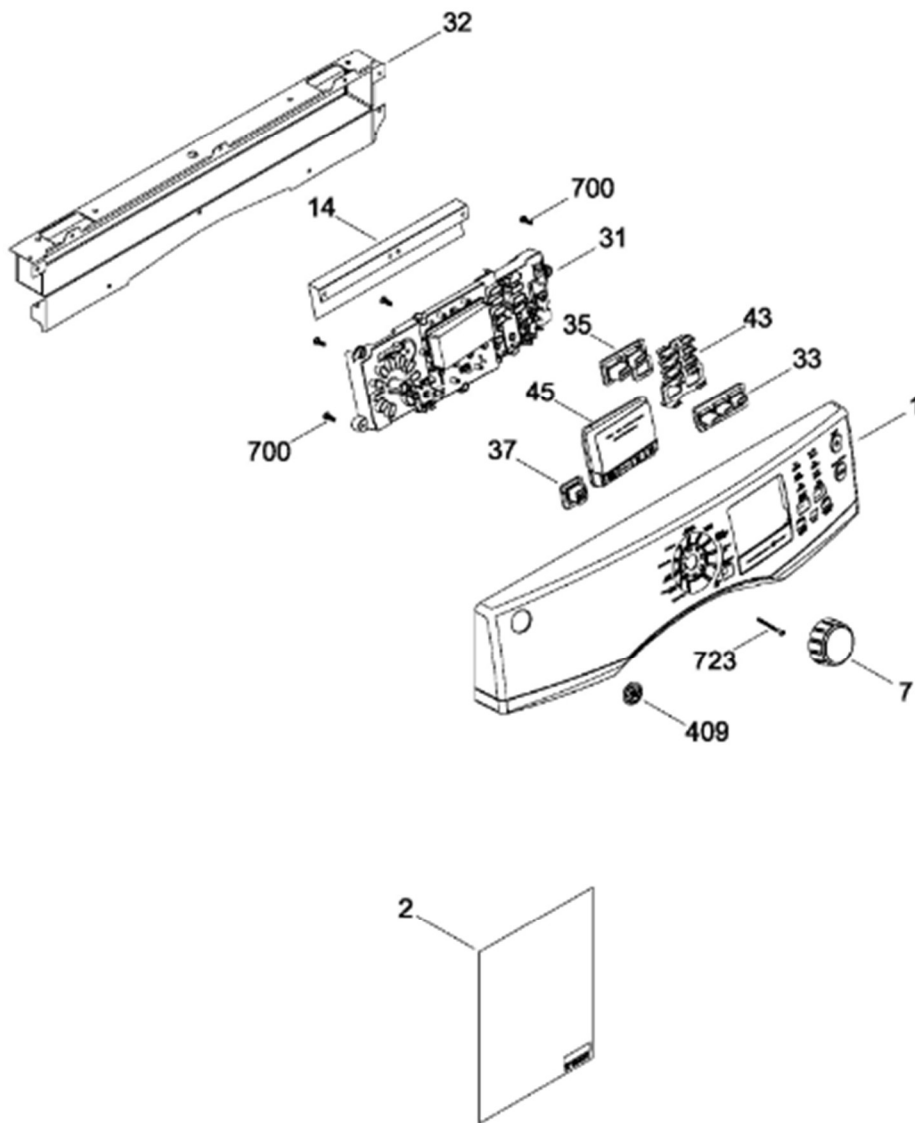


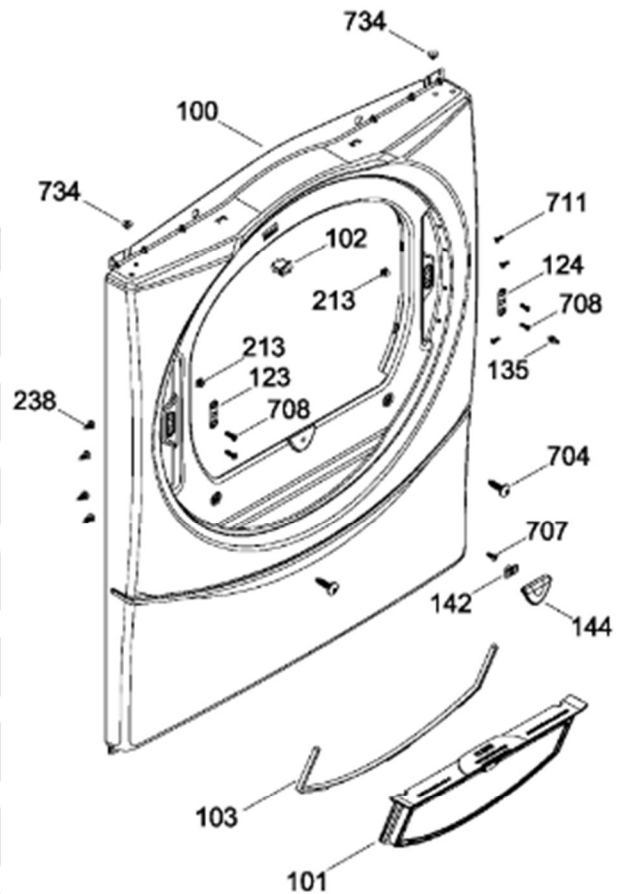
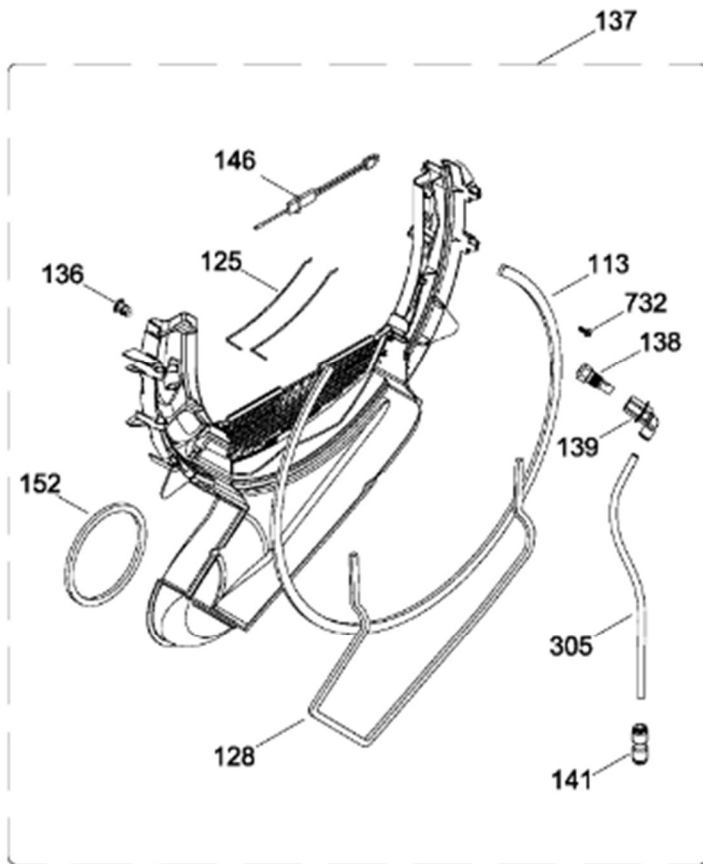
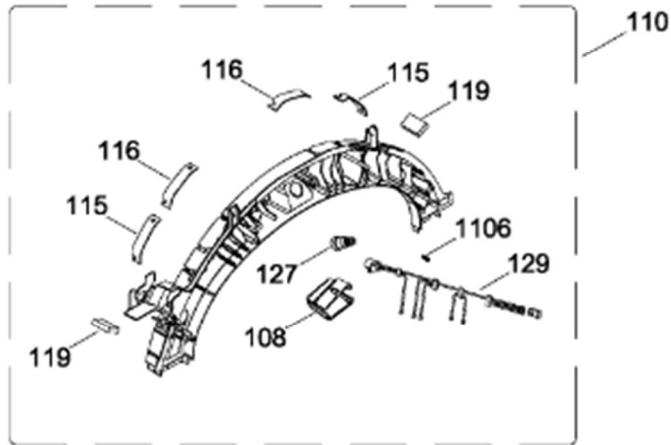
SISTEMA CONTROLES / CONTROL SYSTEM

GFMS170GH0WW
GFMS175GH0DG



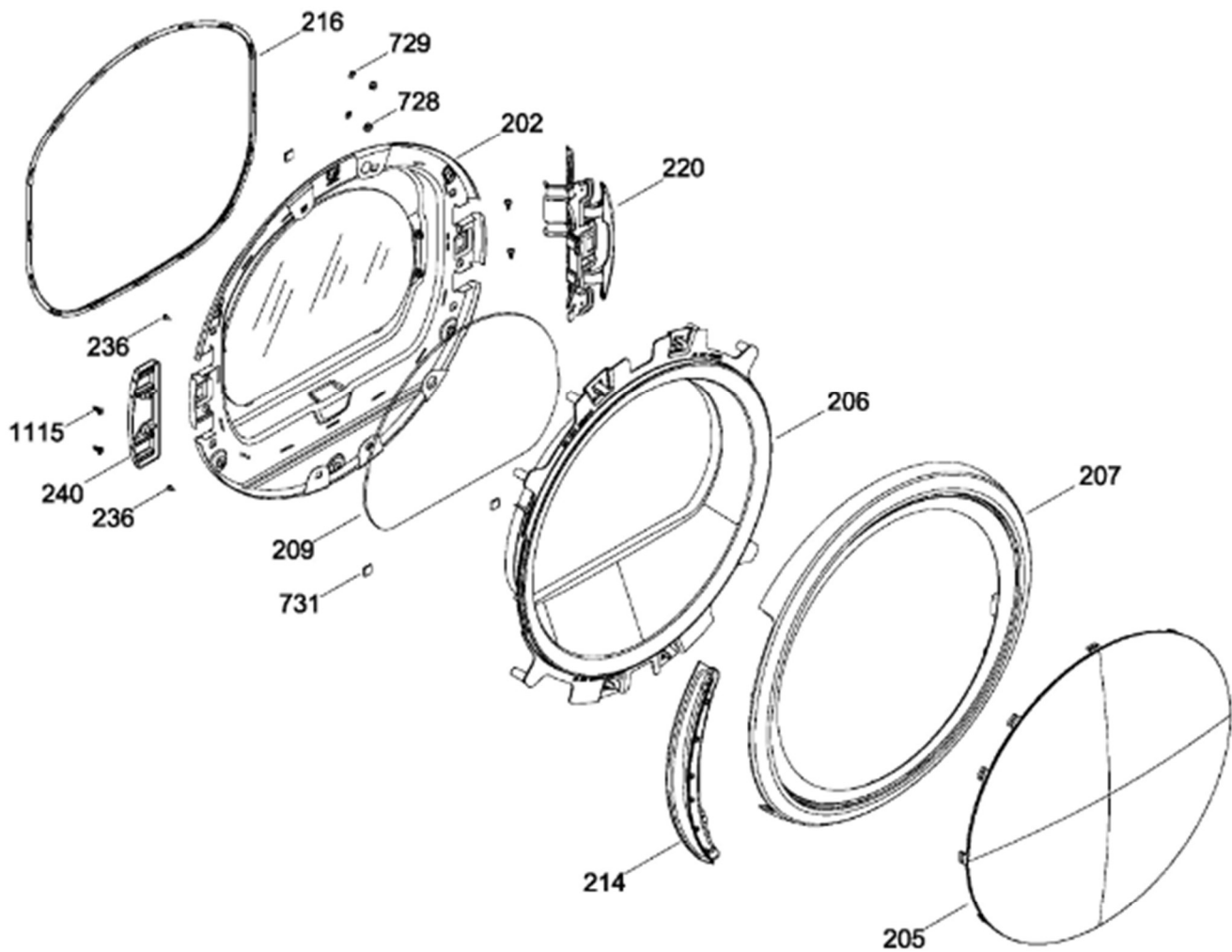
PANEL FRONTAL (ENS) / FRONT PANEL (ASM)

GFMS170GH0WW
GFMS175GH0DG



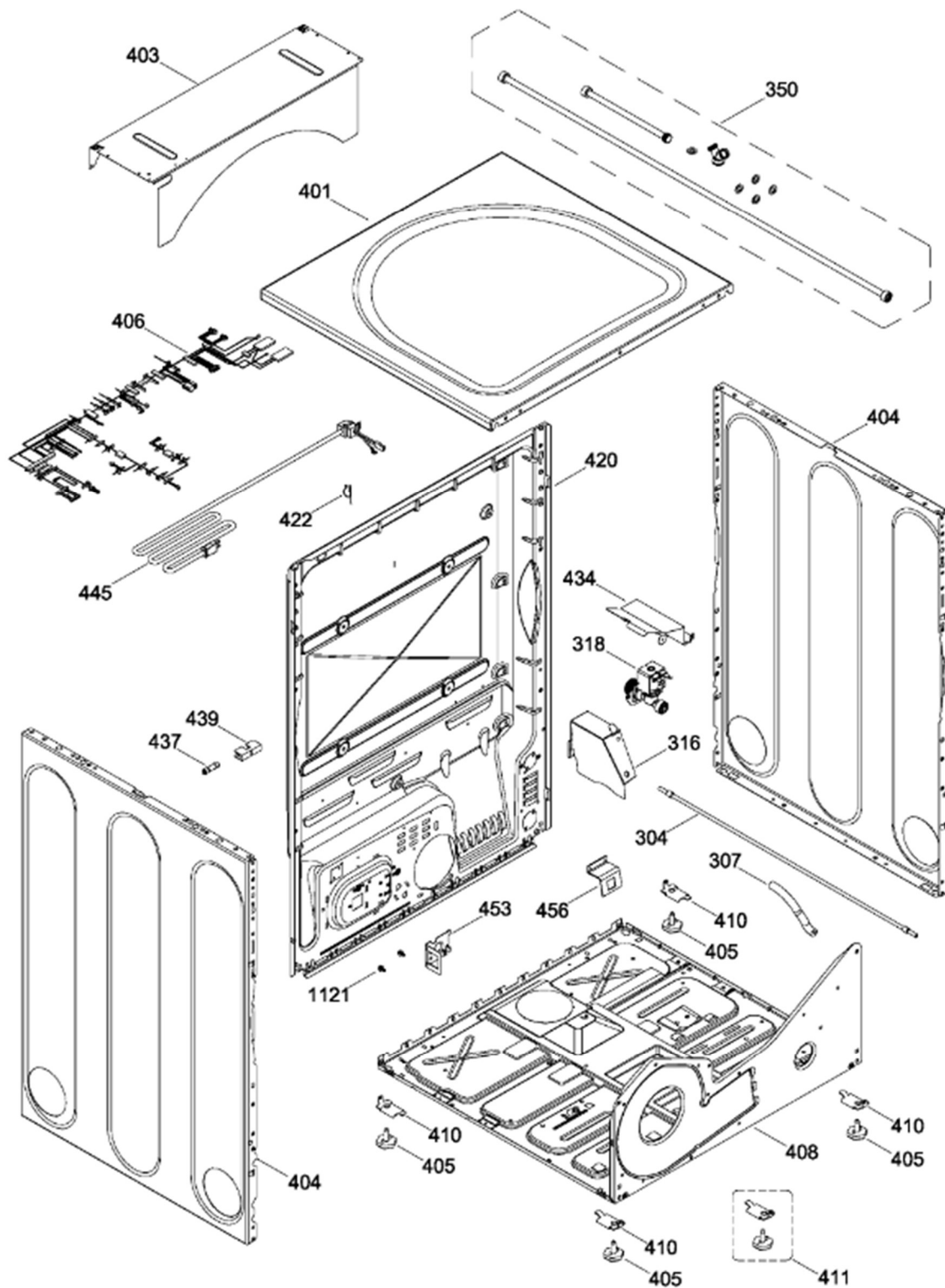
PUERTA (ENS) / DOOR (ASM)

GFMS170GH0WW
GFMS175GH0DG



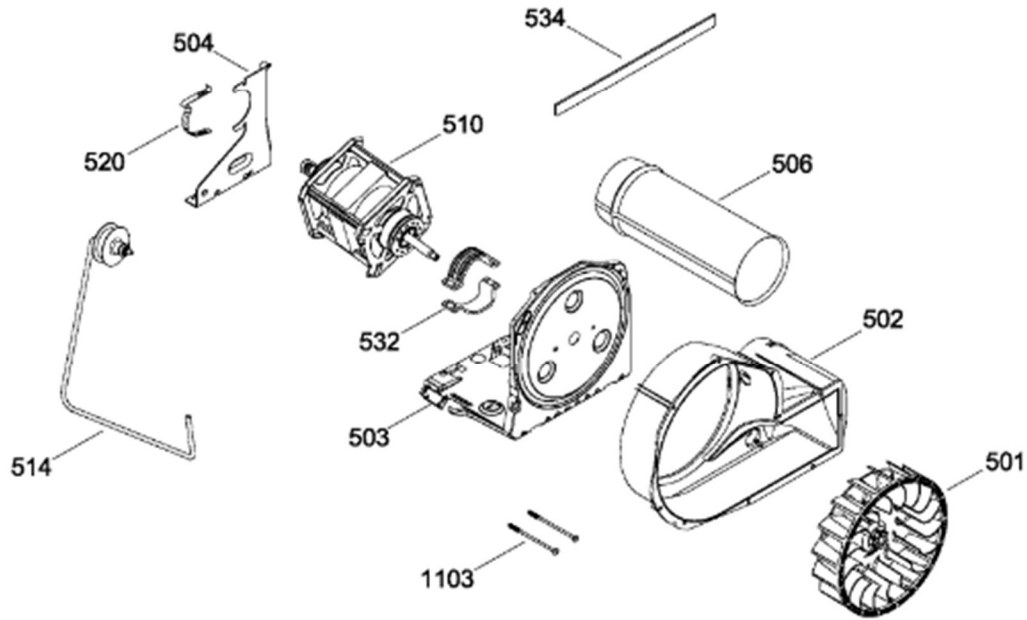
GABINETE / STRUCTURE

GFMS170GH0WW
GFMS175GH0DG

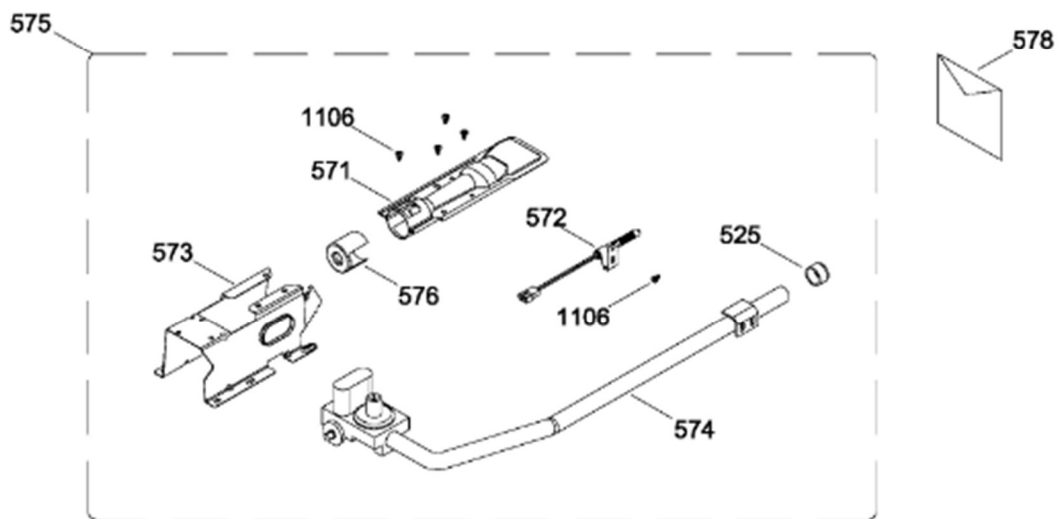


SISTEMA DE TRANSMISION (ENS) / BLOWER & DRIVE (ASM)

GFMS170GH0WW
GFMS175GH0DG

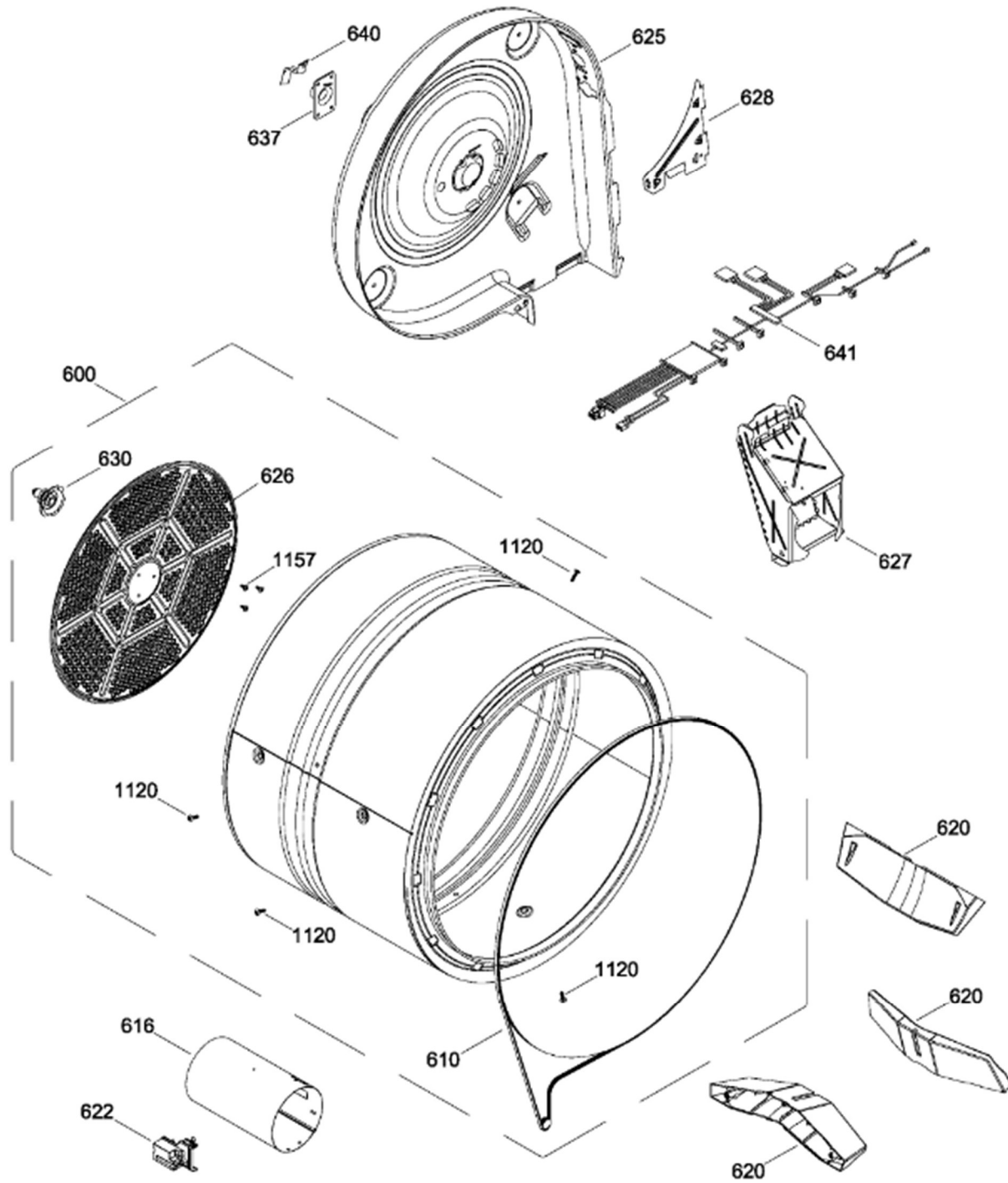


QUEMADOR / BURNER



TAMBOR (ENS) / DRUM (ASM)

GFMS170GH0WW
GFMS175GH0DG



Guía	Refacción	Descripción
1	WW03F00494	ENSAMBLE PANEL DE CONTROL
2	WW02A00176	MANUAL DE USO Y CUIDADO
7	WW03L00343	PERILLA
14	WW03F00492	BARRERA TERMICA
31	WW03L00316	ENSAMBLE CHASIS Y TARJETA
31	WW02F00787	ENSAMBLE CHASIS Y TARJETA
31	WW02F00810	CHASIS Y TARJETA ENSAMBLE
32	WW02L00411	PROTECTOR FRONTAL
33	WW03F00495	ENS BOTON EDRY/VOL/LOCK
35	WW03F00488	ENS BOTON TEMP/LEVEL
37	WW03F00490	ENS BOTON ADD TIME
43	WW03A00213	GUIA DE LUZ SUPERIOR
45	WW03F00491	ENS PANTALLA Y BOTONES
100	WW03L00262	PANEL FRONTAL
101	WW03L00186	MARCO Y FILTRO ENS
101	WW02F00614	MARCO Y FILTRO ENS
102	WW02L00025	INTERRUPTOR PUERTA
103	WW03L00187	SELLO FILTRO
108	WW02L00172	DOOR SWITCH COVER
110	WW03L00282	ENSAMBLE COJINETE SUPERIOR
110	WW02L00522	ENSAMBLE COJINETE SUPERIOR
113	WW01L01329	FELPA COLECTOR DE AIRE
113	WW02F00783	FELPA COLECTOR DE AIRE
115	WW03A00015	COJINETE DESLIZABLE
116	WW03A00016	COJINETE DESLIZABLE
116	WW02A00250	COJINETE DESLIZABLE
119	WW02F00131	FIELTRO
119	WW02F00784	FIELTRO
123	WW02A00056	STRIKE PLATE
124	WW02A00057	STRIKE PLATE
125	WW02F00088	SENSOR ROD
127	WW02A00067	LAMP
127	WW03F00458	LAMP
128	WW03A00117	SELLO
129	WW03F00306	ARNES COJINETE SUPERIOR
135	WW03F00307	SEGURO
136	WW03L00221	TAPON CIEGO(GRIS)

Guía	Refacción	Descripción
137	WW02F00372	DUCTO TRAMPA ENSAMBLE
137	WW02F00603	DUCTO TRAMPA ENSAMBLE
138	WW02A00092	BOQUILLA
139	WW02F00121	CODO
141	WW01F01458	CONECTOR DE SERVICIO
142	WW02A00093	NUT-STRIP DOOR GUIDE
144	WW02L00167	DOOR GUIDE
146	WW02F00135	HARNES SENSORS
152	WW03L00190	SELLO DUCTO TRAMPA
152	WW03F00354	SELLO DUCTO TRAMPA
202	WW03L00375	PUERTA SUBENSAMBLE
202	NLA	PUERTA SUBENSAMBLE
205	WW03L00320	VENTANA EXTERIOR PUERTA
205	WW02L00570	VENTANA EXTERIOR PUERTA
206	WW02L00338	MASCARA PUERTA
207	WW03F00432	ANILLO PUERTA EXTERIOR
209	WW02L00168	DOOR INNER WINDOW
213	WW02L00037	LATCH ASM.
214	WW03L00319	JALADERA
216	WW03L00226	SELLO PUERTA
216	WW02L00414	SELLO PUERTA
220	WW03L00374	BISAGRA ENSAMBLE
236	WW03L00364	BOTON DE BELLEZA
238	WW02A00082	BEAUTY BOTTON
240	WW02L00372	COVER HINGE
304	WW03F00317	TUBO
305	WW03F00132	TUBO FRONTAL
307	WW03F00133	AISLANTE
316	WW03L00202	PROTECTOR VALVULA DE AGUA
318	WW02F00182	VALVULA DE AGUA
350	WW02A00088	KIT MANGUERAS EXTERNAS
401	WW03L00281	PANEL SUPERIOR
403	WW02L00197	REAR PLATE
403	WW02F00720	REAR PLATE
404	WW03L00259	PANEL LATERAL
405	WW02L00191	PATTE DE NIVELLEMENT
406	WW03F00474	ENSAMBLE ARNES GAS

Guía	Refacción	Descripción
408	WW03L00230	BASE CHASIS
409	WW03A00160	LOGO GE
410	WW02A00113	SUPPORT (PATTE DE NIVELLEMENT
411	WW02F00139	PATA NIVELADORA ENS
420	WW02L00196	PANEL POSTERIOR
422	WW02F00022	CORD SET RETAINER
434	WW03L00110	CUBIERTA TERMOSTATO
437	WW03F00044	FUSIBLE
439	WW03F00107	PORTA FUSIBLE
445	WW02F00091	CABLE TOMACORRIENTE
453	WW01A00535	SOPORTE ANTI TENSION
456	WW02A00037	BRIDE
501	WW01F01162	VENTILADOR REDONDO
502	WW03F00311	CAJA VENTILADOR
503	WW01L01163	BASE MOTOR
504	WW02F00027	SOPORTE MOTOR
506	WW02F00129	DUCTO DE ESCAPE
506	WW02F00129	DUCTO DE ESCAPE
506	WW02F00721	EXHAUST DUCT
510	WW02F00015	MOTOR POLEA ENS.
510	WW03A00209	MOTOR POLEA ENS.
514	WW02A00008	ENS. BRAZO AUXILIAR
514	WW03F00350	ENS. BRAZO AUXILIAR
520	WW02F00031	CLIP MOTOR
525	WW02A00003	TAPA
532	WW02F00003	CORREA MOTOR
532	WW02A00232	CORREA MOTOR
534	WW02A00026	EMPAQUE ESCAPE SOPLADOR
534	WW02F00785	EMPAQUE ESCAPE SOPLADOR
571	WW02A00020	QUEMADORES
572	WW02F00002	ALLUME-GAZ
572	WW02F00740	ALLUME-GAZ
572	WW01F01432	ENCENDEDOR INCANDESCENTE
573	WW03A00125	SOPORTE VALVULA DE GAS
574	WW02A00155	ENS VALVULA Y TUBERIA GAS NAT
575	WW03F00493	ENSAMBLE VALVULA Y QUEMADOR
576	WW02L00140	AIRADOR

Guía	Refacción	Descripción
578	WW01F01529	VALVULA Y TUBO PARA GAS LP
600	WW03F00320	TAMBOR ENSAMBLE
610	WW02F00028	BANDA SECADORA
610	WW02F00854	BANDA SECADORA
616	WW03F00296	CAMARA DE COMBUSTION
616	WW03F00296	CAMARA DE COMBUSTION
616	WW02F00722	TUBO DE COMBUSTION
620	WW03L00372	ALETA
622	WW02F00001	DETECTOR TERMOSTATO
625	WW03F00095	DIFUSOR DE GAS
626	WW02F00221	DIFUSOR
626	WW02F00827	DIFUSOR
627	WW02F00127	DUCTO TRANSICION
627	WW03F00539	DUCTO TRANSICION
628	WW03F00097	PLACA DIFUSOR
630	WW02A00019	SOPORTE Y FLECHA ENSAMBLE
637	WW02A00005	RETENEDOR RODAMIENTO
640	WW01A00443	GROUND STRAP ASSEMBLY
640	WW02F00833	GROUND STRAP ASSEMBLY
641	WW03F00395	ARNES GAS DERECHO
700	WW02A00102	SCREW CHASSIS TO FRONT HSG.
704	WW02A00099	SCREW # 10
707	WW02A00097	SCREW
708	WW02A00098	SCREW
708	WW01A00539	SCREW
711	WW02A00101	TORNILLO
723	WW03A00145	TORNILLO HI/LO 8-18
728	WW02A00114	TUERCAS
729	WW03A00146	ARANDELAS
731	WW02A00120	CALZA
732	WW03A00092	TORNILLO 6-16 B B1Q1 3/4
734	WW03A00156	TORNILLO 8-18 AB PNQ2
1103	WW02A00032	TORNILLO
1106	WW02A00027	SCREW
1115	WW01A00450	TORNILLO 8-18 AB 1/2
1120	WW02A00031	TORNILLO
1121	WW01A00001	TORNILLO
1157	WW01A00456	TORNILLO #10