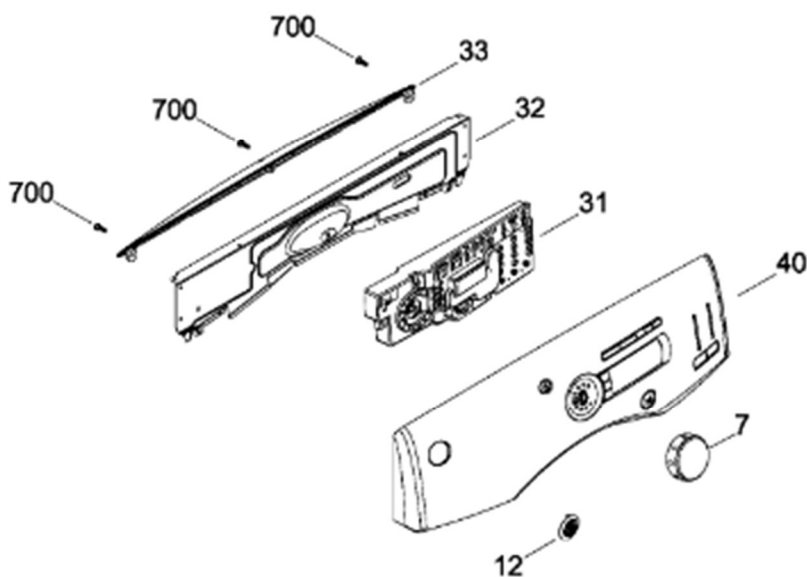


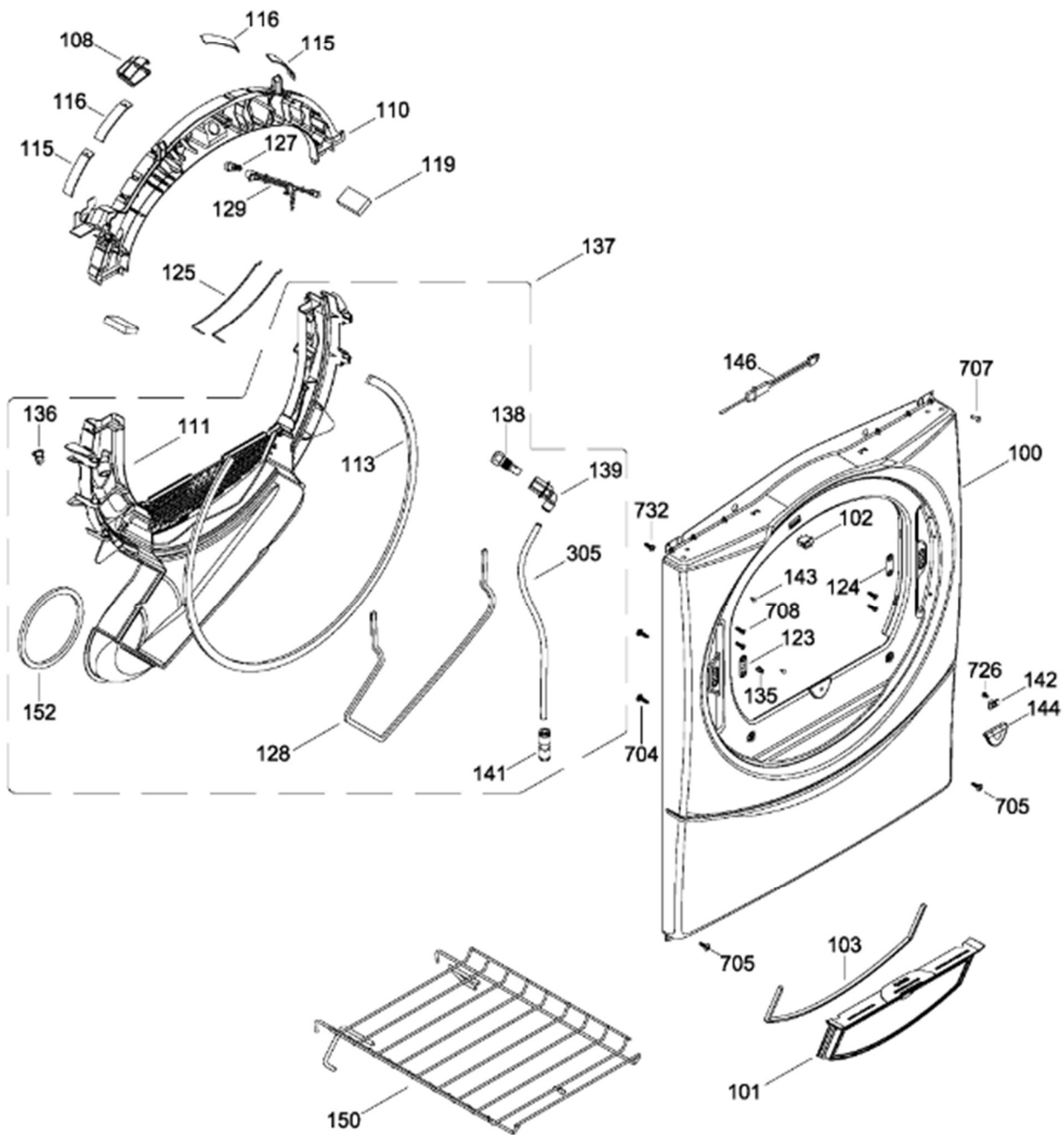
SISTEMA CONTROLES

GFMS350GL0WW
GFMS355GL0MG
GFMS355GL0MS
GFMS355GL0MV



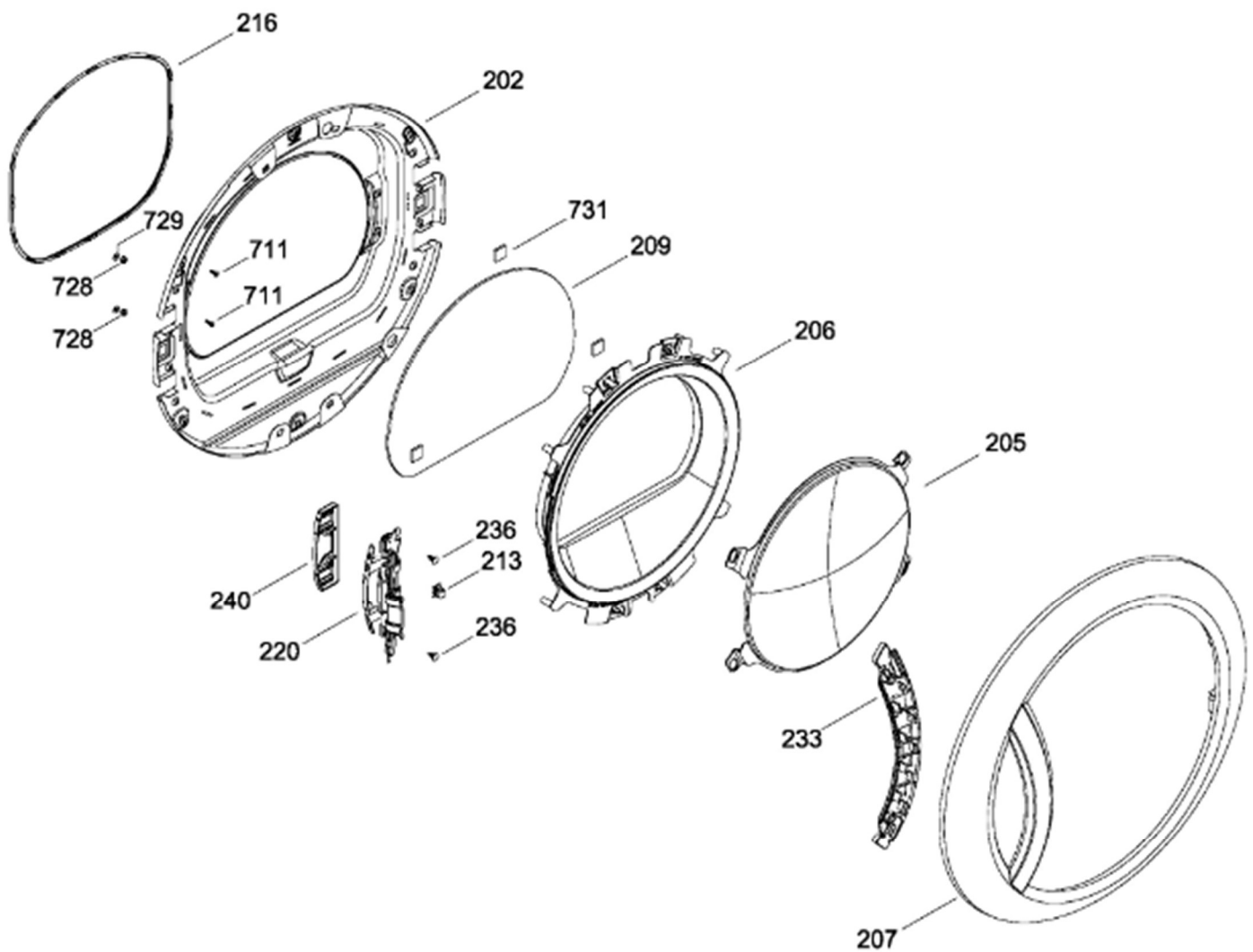
FRONT PANEL

GFMS350GLOWW
 GFMS355GLOMG
 GFMS355GLOMS
 GFMS355GLOMV



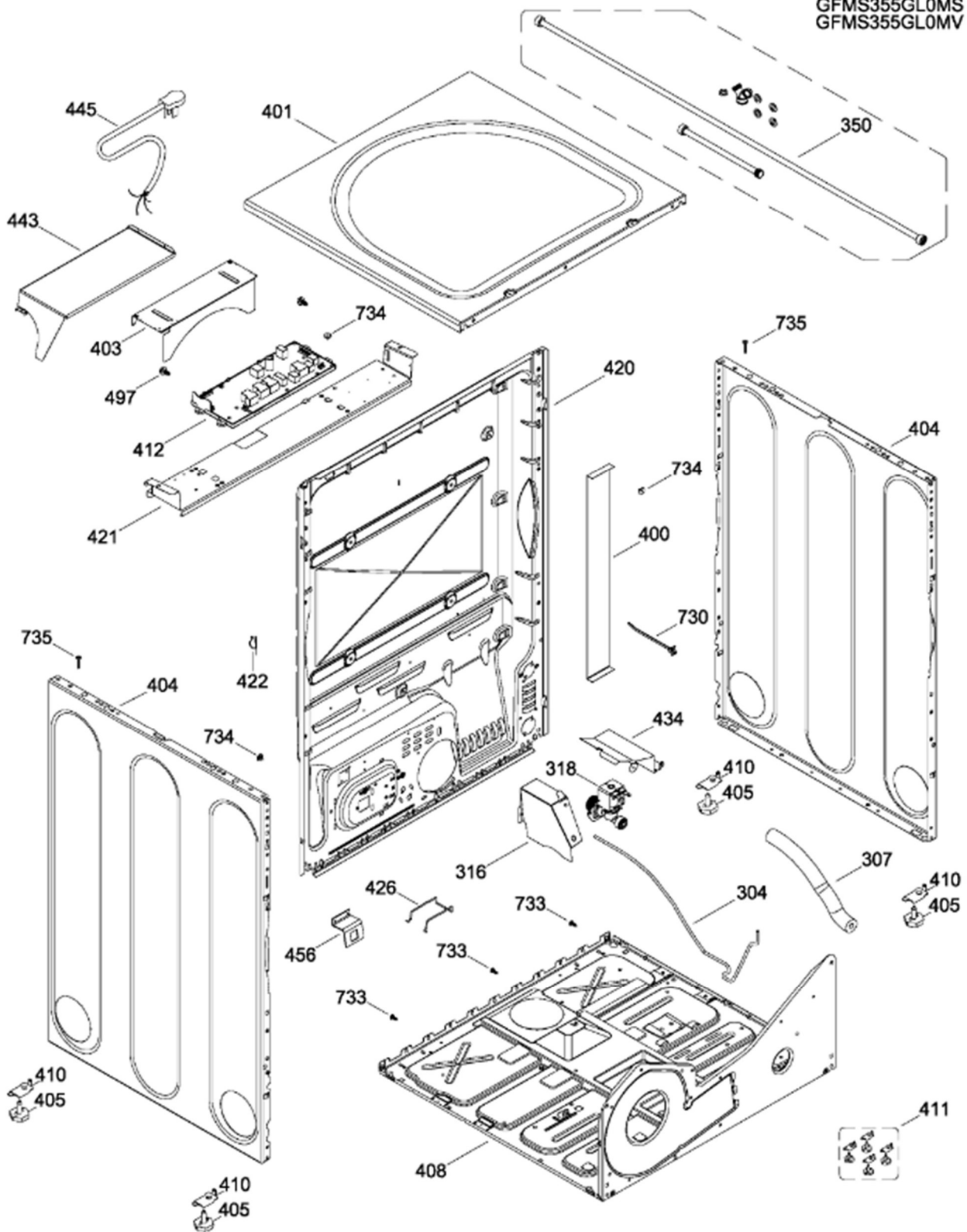
DOOR

GFMS350GLOWW
GFMS355GLOMG
GFMS355GLOMS
GFMS355GLOMV



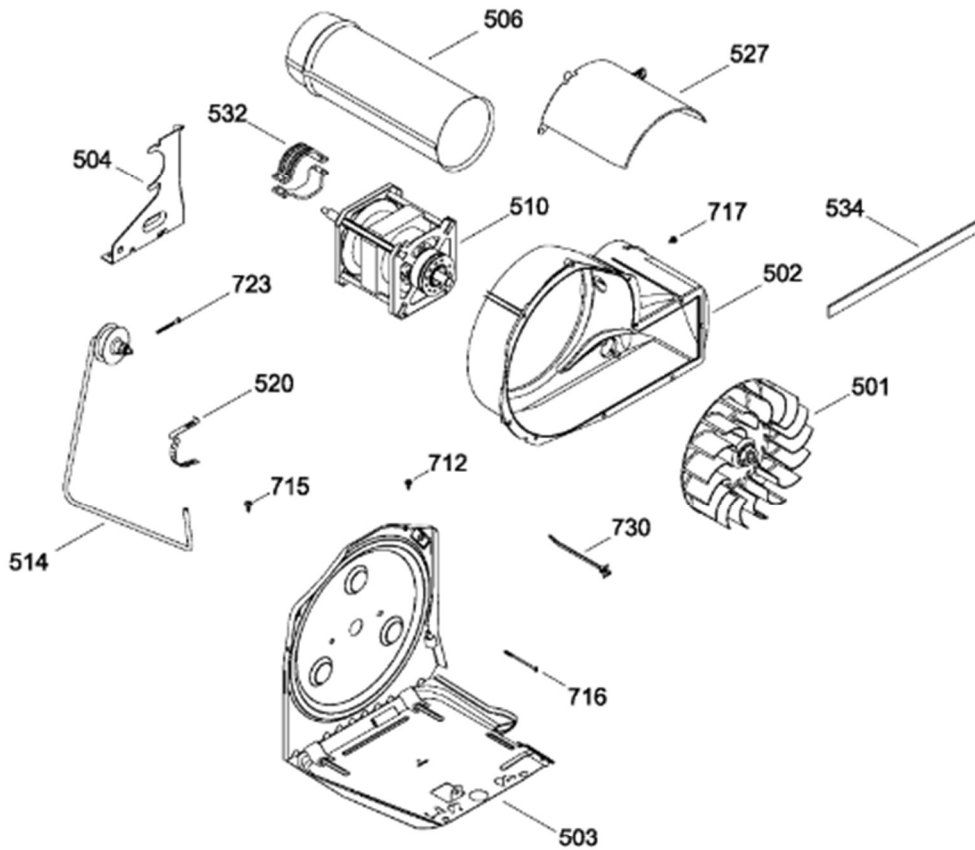
GABINETE

GFMS350GL0WW
GFMS355GL0MG
GFMS355GL0MS
GFMS355GL0MV

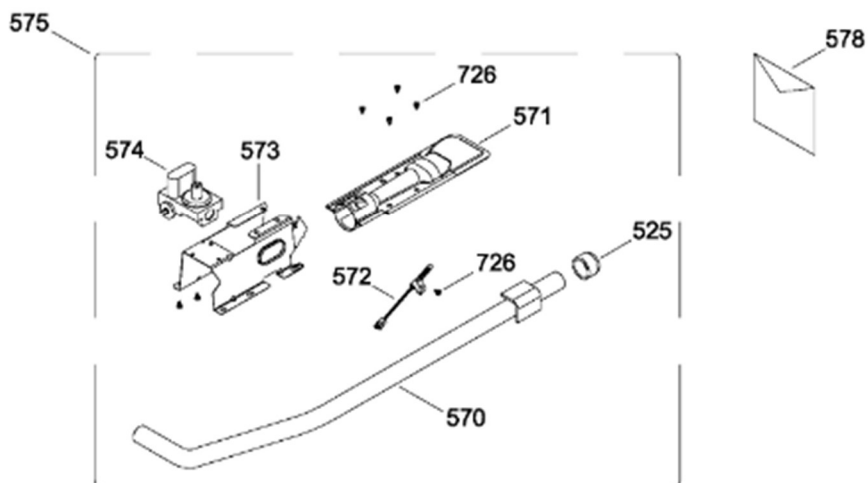


SISTEMA DE TRANSMISION / BLOWER & DRIVE ASSEMBLY

GFMS350GLOWW
 GFMS355GLOMG
 GFMS355GLOMS
 GFMS355GLOMV

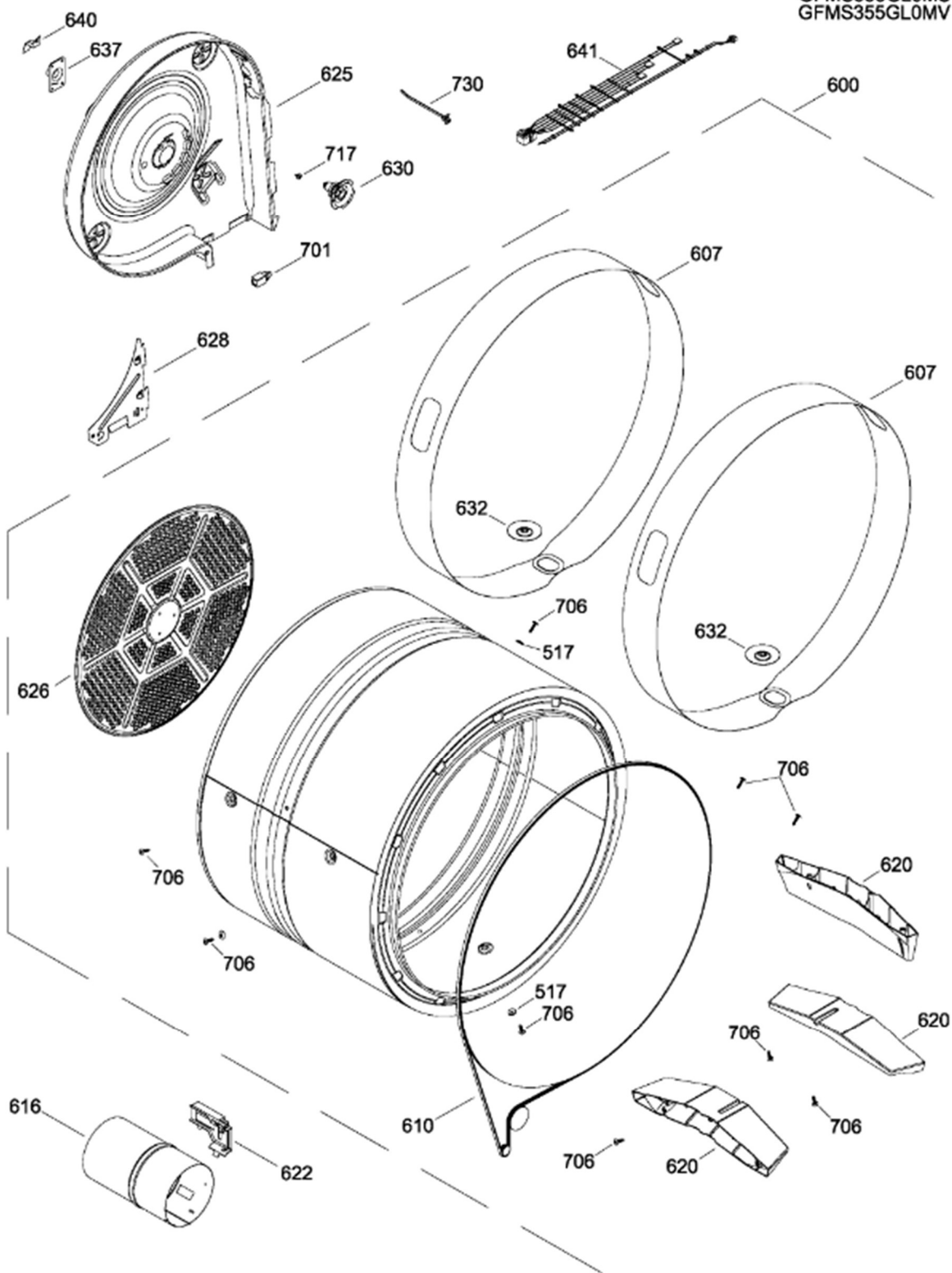


VALVE AND BURNER ASM



TAMBOR

GFMS350GLOWW
 GFMS355GLOMG
 GFMS355GLOMS
 GFMS355GLOMV



Guía	Refacción	Descripción
7	WW03L00349	PERILLA ENSAMBLE
12	248C1068P002	LOGO
31	WW02A00111	CHASSIS & PCB ENSAMBLE
32	189D7143P001	PROTECTOR FRONTAL
33	WW02L00347	CUBIERTA POSTERIOR(BCO)
40	WW02F00380	PANEL Y GRAFICOS ENS(BCO)
100	WW02L00383	FRONT PANEL WHITE
101	WW02L00089	FILTER + MESH ASSEMBLY
101	WW03L00186	FILTER + MESH ASSEMBLY
101	WW02F00614	MARCO Y FILTRO ENS
102	WW02L00025	INTERRUPTOR PUERTA
103	WW03L00187	SELLO FILTRO
108	WW02L00172	DOOR SWITCH COVER
110	WW02A00086	COJINETE SUP.
110	WW02A00086	COJINETE SUP.
111	WW03A00161	DUCTO TRAMPA
111	WW03A00161	DUCTO TRAMPA
111	WW02F00604	DUCTO TRAMPA
113	WW02L00138	FELPA DUCTO RECOLECTOR
115	WW02A00033	BEARING_SLIDE
116	WW02L00038	BEARING_SLIDE
119	WW02F00131	FIELTRO
119	WW02F00784	FIELTRO
123	WW02A00056	STRIKE PLATE
124	WW02A00057	STRIKE PLATE
125	WW02F00088	SENSOR ROD
127	WW02A00067	LAMP
127	WW03F00458	LAMP
128	WW03A00117	SELLO
129	WW02F00255	ARNES CONJINETE SUPERIOR
129	WW03F00469	ARNES CONJINETE SUPERIOR
135	WW03F00307	SEGURO
136	WW03L00221	TAPON CIEGO(GRIS)
137	WW02F00372	DUCTO TRAMPA ENSAMBLE
137	WW02F00603	DUCTO TRAMPA ENSAMBLE

Guía	Refacción	Descripción
138	WW02A00092	BOQUILLA
139	WW02F00121	CODO
141	WW02F00122	CONEXION DE SERVICIO
142	WW02A00093	NUT-STRIP DOOR GUIDE
143	WW02A00065	BOTON BELLEZA
144	WW02L00167	DOOR GUIDE
146	WW02F00135	HARNESS SENSORS
150	WW02L00088	SHOE RACK
150	WW02L00190	SHOE RACK
152	WW03L00190	SELLO DUCTO TRAMPA
152	WW03F00354	SELLO DUCTO TRAMPA
202	189D7130P002	CONTRAPUERTA
205	WW02L00369	VIDRIO EXTERIOR
206	WW02L00338	MASCARA PUERTA
207	WW02F00401	ANILLO EXTERIOR
209	WW02L00168	DOOR INNER WINDOW
213	WW02F00154	SEGURO PUERTA
216	WW03L00226	SELLO PUERTA
216	WW02L00414	SELLO PUERTA
220	WW03L00374	BISAGRA ENSAMBLE
233	WW02L00371	CUBIERTA JALADERA
236	WW02A00082	BEAUTY BOTTON
240	WW02L00372	COVER HINGE
304	WW03F00293	TUBO POSTERIOR
305	WW03F00132	TUBO FRONTAL
307	WW03F00133	AISLANTE
316	WW03L00202	PROTECTOR VALVULA DE AGUA
318	WW02F00182	VALVULA DE AGUA
350	364B7057G001	KIT MANGUERAS EXTERNAS
400	WW03L00203	PLACA AMORTIGUADOR
401	234D1047P002	CUBIERTA SUPERIOR (BLANCA)
403	212D1495P001	PLACA POSTERIOR
404	WW03L00205	LATERAL(BCO)
404	WW03L00205	LATERAL(BCO)
404	WW03L00205	LATERAL(BCO)

Guía	Refacción	Descripción
404	WW02L00644	LATERAL(BCO)
405	WW02L00191	PATTE DE NIVELLEMENT
408	WW03L00230	BASE CHASIS
410	WW02A00113	SUPPORT (PATTE DE NIVELLEMENT
411	WW02F00139	PATA NIVELADORA ENS
412	WW02F00168	TARJETA CONTROL PRINCIPAL
420	WW02L00196	REAR PANEL
420	WW02L00196	REAR PANEL
421	WW02F00140	MAIN POWER BOARD SUPPORT
422	WW02F00022	CORD SET RETAINER
426	WW03A00167	PROTECTOR ESCAPE
434	WW03L00110	CUBIERTA TERMOSTATO
443	WW03L00209	PROTECTOR VALVULA DE GAS
445	WW02F00091	CABLE TOMACORRIENTE
456	WW02A00037	BRIDE
497	WW01A00001	TORNILLO
501	WW02A00011	SOPLADOR PUERTA
501	WW01F01162	SOPLADOR PUERTA
502	WW02F00258	CAJA VENTILADOR
502	WW03F00311	CAJA VENTILADOR
503	WW01F01125	BASE MOTOR
503	WW01L01163	BASE MOTOR
503	WW01L01163	BASE MOTOR
503	WW02L00642	BASE MOTOR
504	WW02F00027	SOPORTE MOTOR
506	WW02F00129	EXHAUST DUCT
506	WW02F00721	EXHAUST DUCT
510	WW02F00009	MOTOR
514	WW02A00008	ENS. BRAZO AUXILIAR
514	WW03F00350	ENS. BRAZO AUXILIAR
517	WW02A00002	ARANDELA
520	WW02F00031	CLIP MOTOR
525	WW02A00003	TAPA
527	WW03L00112	CUBIERTA MOTOR
532	WW02F00003	CORREA MOTOR

Guía	Refacción	Descripción
532	WW02A00232	CORREA MOTOR
534	WW02A00026	EMPAQUE ESCAPE SOPLADOR
534	WW02F00785	EMPAQUE ESCAPE SOPLADOR
570	WW02A00058	PIPE & LUG ASM.
570	WW03F00137	PIPE & LUG ASM.
571	WW02A00020	QUEMADORES
572	WW02F00002	ALLUME-GAZ
572	WW02F00740	ALLUME-GAZ
572	WW01F01432	ENCENDEDOR INCANDESCENTE
573	WW02F00077	GAS VALVE BRACKET
573	WW03A00125	GAS VALVE BRACKET
574	WW02F00099	VALVE GAS
575	WW02F00079	VALVULA Y QUEMADOR ENS
578	WW01F01529	VALVULA Y TUBO PARA GAS LP
600	WW02F00167	TAMBOR Y ALETA ENS
607	WW02L00098	BANDA TAMBOR
610	WW02F00028	BANDA SECADORA
610	WW02F00854	BANDA SECADORA
616	WW02F00119	COMBUSTION CHAMBER
620	WW03L00232	ALETA
622	WW02F00001	DETECTOR TERMOSTATO
625	WW02L00014	DIFUSOR GAS
625	WW03F00095	DIFUSOR GAS
626	WW02F00030	DIFUSOR
628	WW02F00029	DIFUSSER PLATE
630	WW02A00019	SOPORTE Y FLECHA ENSAMBLE
632	WW02A00072	RONDANDA BANDA
637	WW02A00005	RETENEDOR RODAMIENTO
640	WW02F00026	GROUND STRAP ASM.
640	WW01A00443	GROUND STRAP ASM.
640	WW02F00833	GROUND STRAP ASSEMBLY
641	WW02F00416	ARNES DERECHO
700	WW02A00102	SCREW CHASSIS TO FRONT HSG.
701	WW02A00087	ENCLOSED SCREW GROMMET
704	WW02A00099	SCREW # 10

Guía	Refacción	Descripción
705	WW02A00028	TORNILLO
706	WW02A00031	TORNILLO
707	WW02A00097	SCREW
708	WW02A00098	SCREW
708	WW01A00539	SCREW
711	WW02A00101	TORNILLO
712	WW02A00029	TORNILLO
712	WW02A00211	TORNILLO
715	WW02A00070	TORNILLO
716	WW02A00032	TORNILLO
717	WW02A00030	TORNILLO
717	WW02A00211	TORNILLO
723	WW03A00145	TORNILLO HI/LO 8-18
726	WW02A00027	SCREW
728	WW02A00114	TUERCAS
729	WW03A00146	ARANDELAS
730	WW02F00402	CINCHO
731	WW02A00120	CALZA
732	WW03A00092	TORNILLO 6-16 B B1Q1 3/4
733	WW01A00450	TORNILLO 8-18 AB 1/2
734	WW03A00156	TORNILLO 8-18 AB PNQ2
735	WG04A02784	TORNILLO 10