

Distribuidor Autorizado

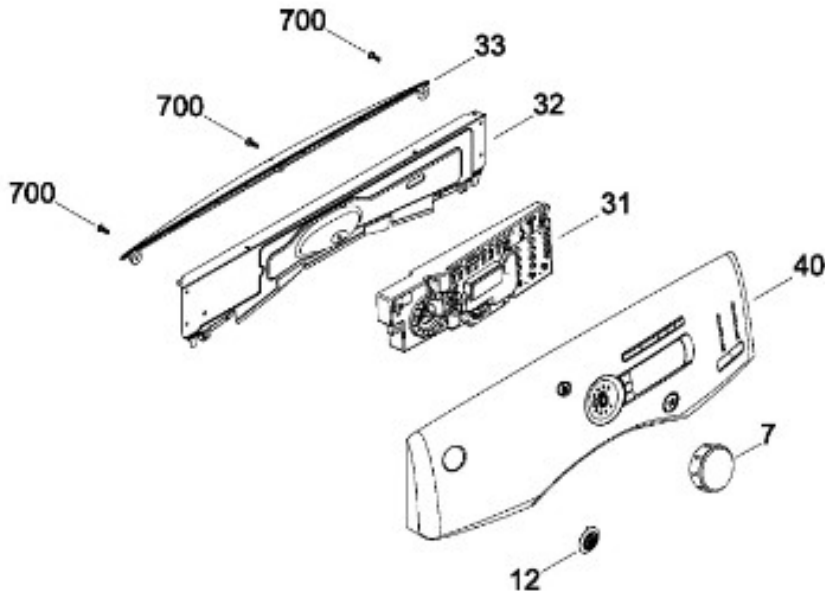
SurteRápido.com

Venta de Refacciones
Electrodomesticas

SECADORA GFMS350GL1WW

SISTEMA CONTROLES

GFMS350GL1WW



Distribuidor Autorizado

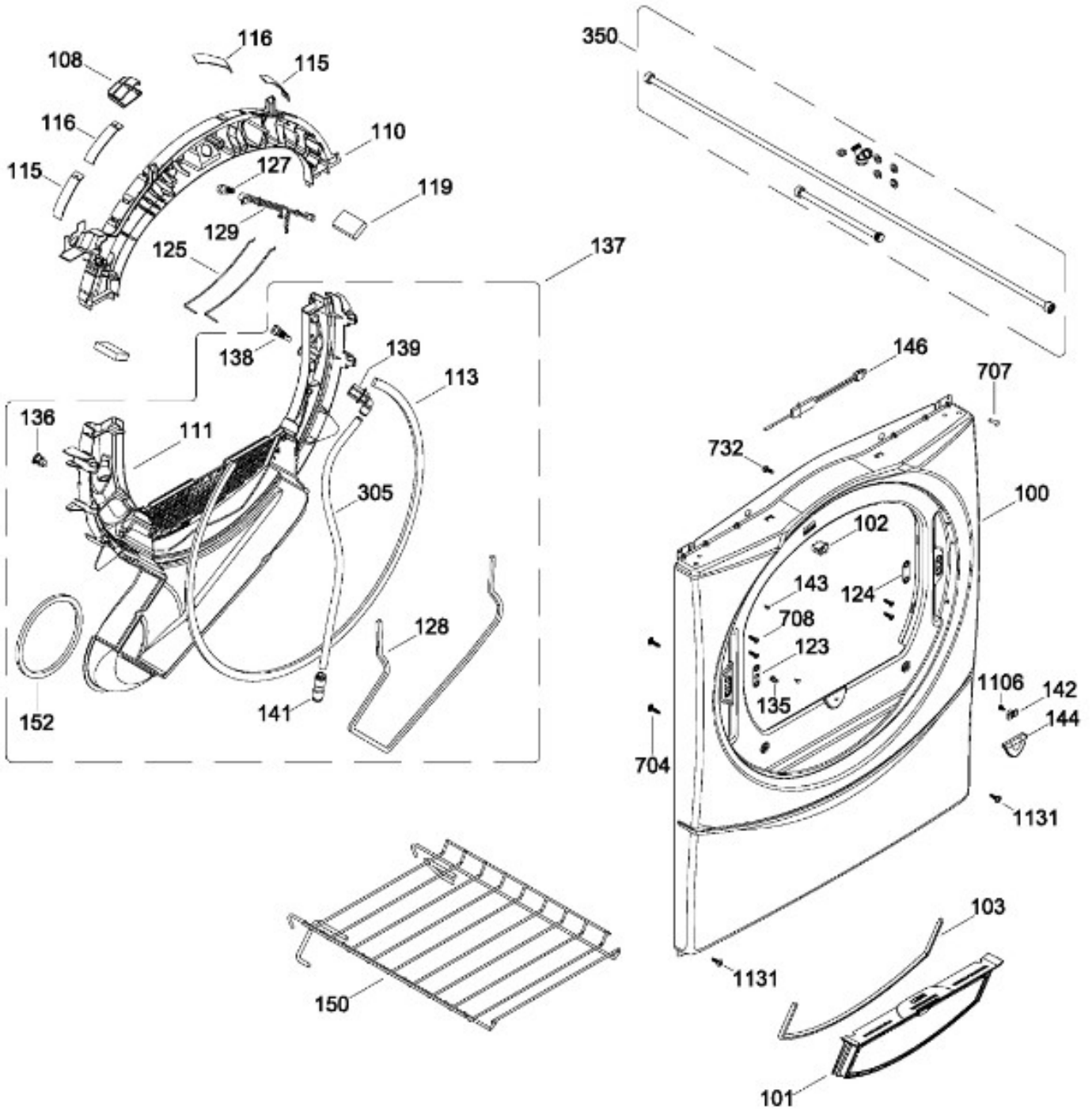
SurteRápido.com

Venta de Refacciones
Electrodomesticas

SECADORA GFMS350GL1WW

FRONT PANEL

GFMS350GL1WW



Distribuidor Autorizado

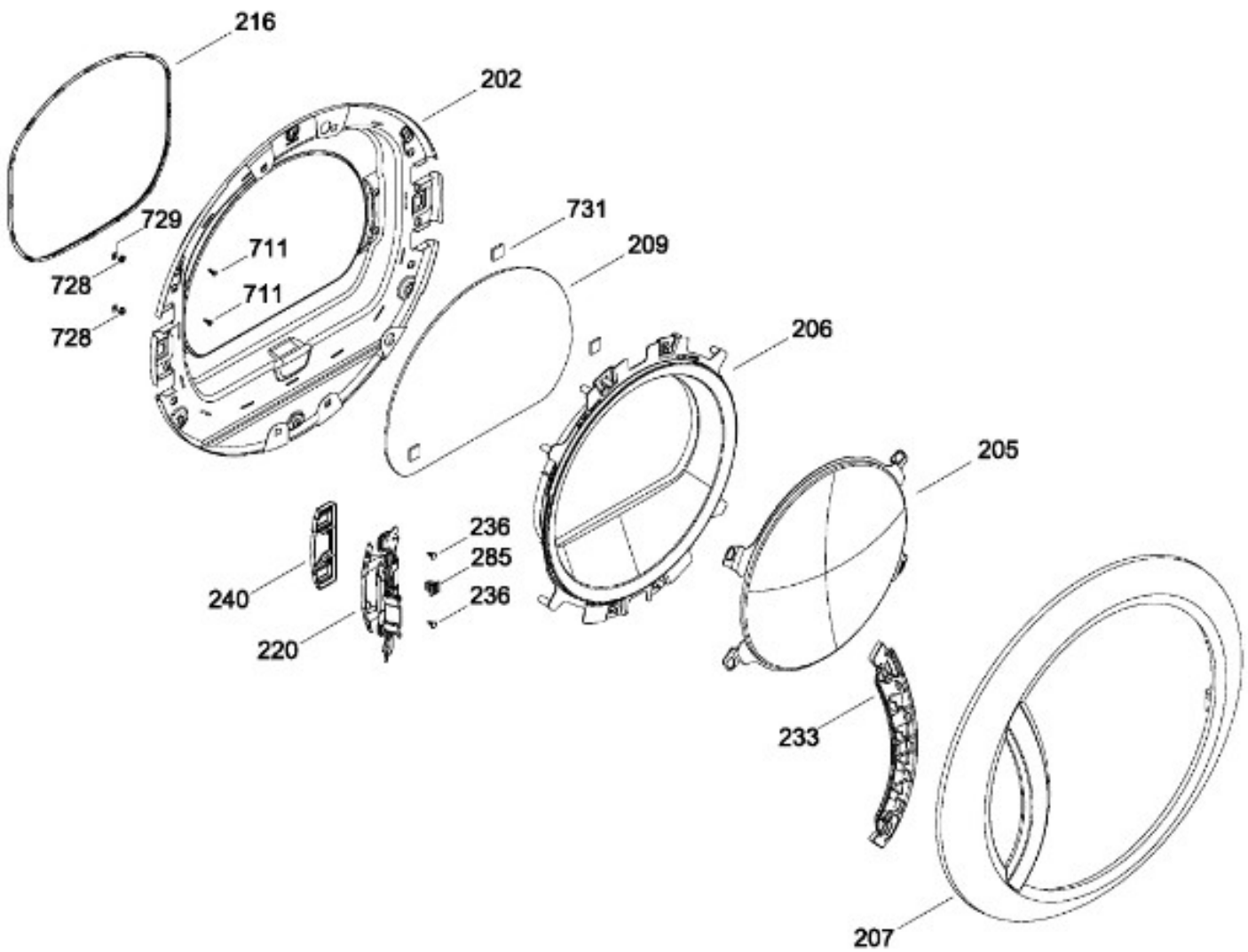
SurteRápido.com

Venta de Refacciones
Electrodomesticas

SECADORA GFMS350GL1WW

DOOR

GFMS350GL1WW



Distribuidor Autorizado

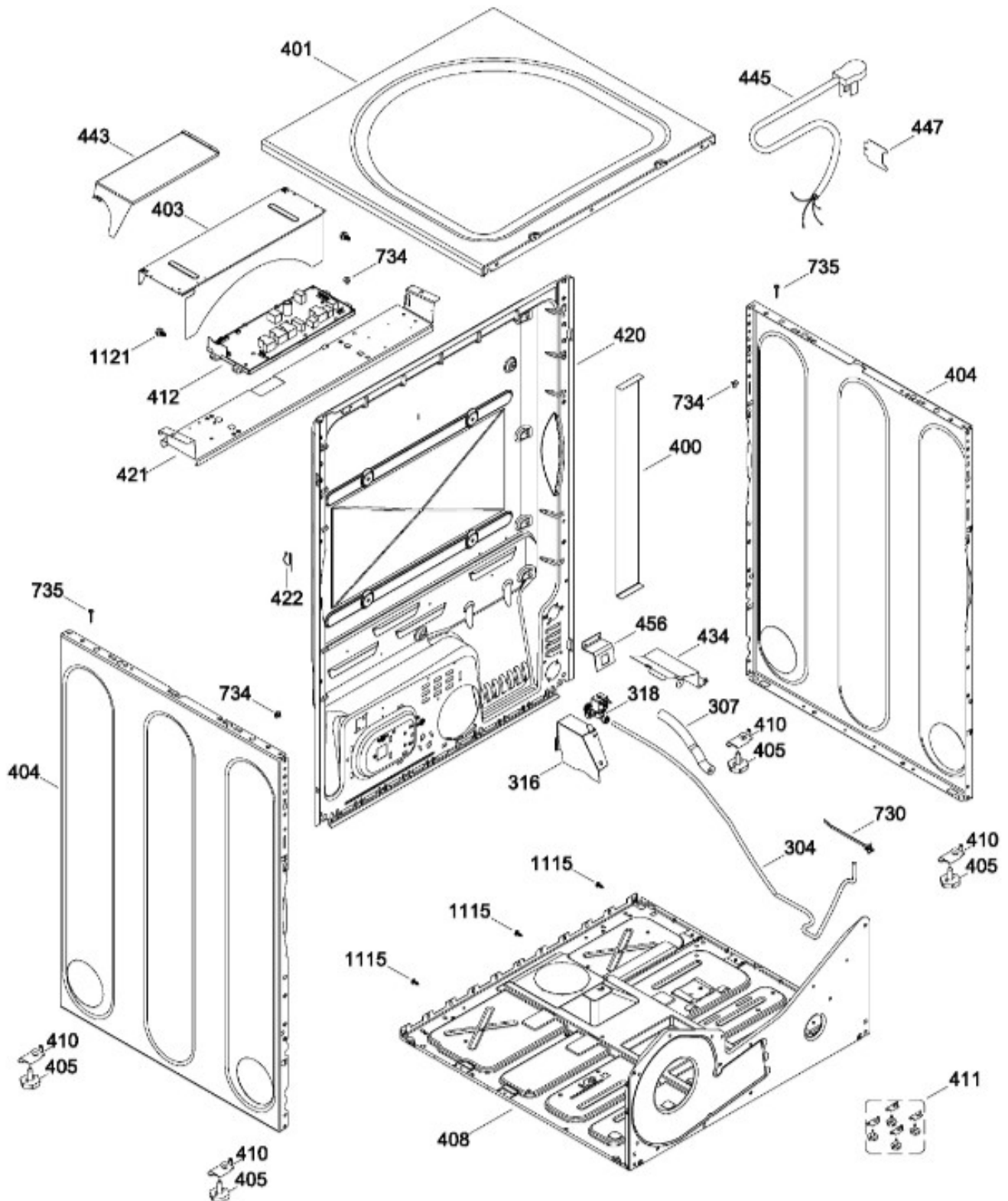
SurteRápido.com

Venta de Refacciones
Electrodomesticas

SECADORA GFMS350GL1WW

GABINETE

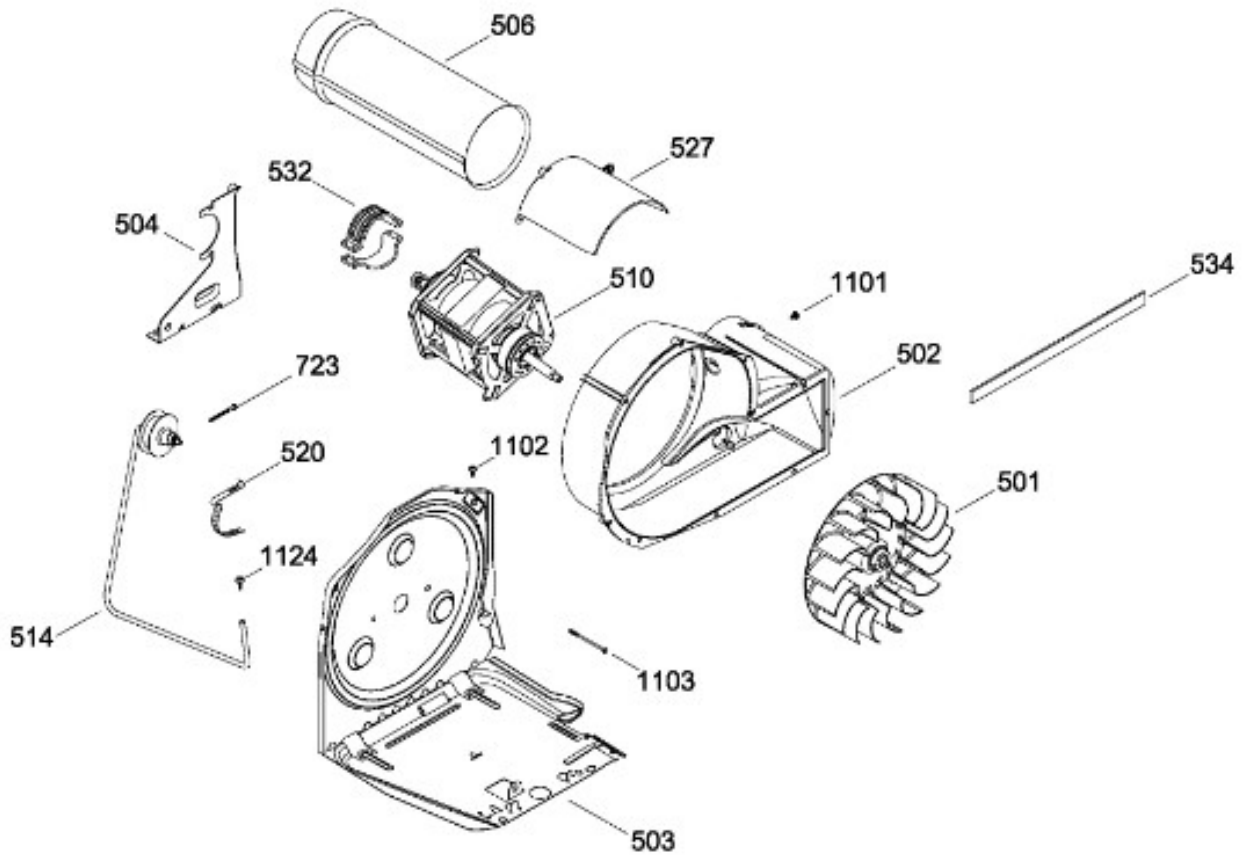
GFMS350GL1WW



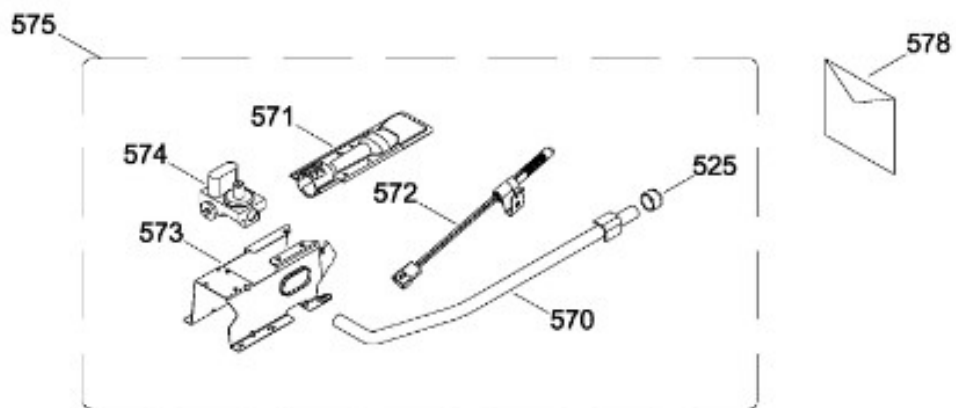
SECADORA GFMS350GL1WW

SISTEMA DE TRANSMISION / BLOWER & DRIVE ASSEMBLY

GFMS350GL1WW



QUEMADOR / BURNER



Distribuidor Autorizado

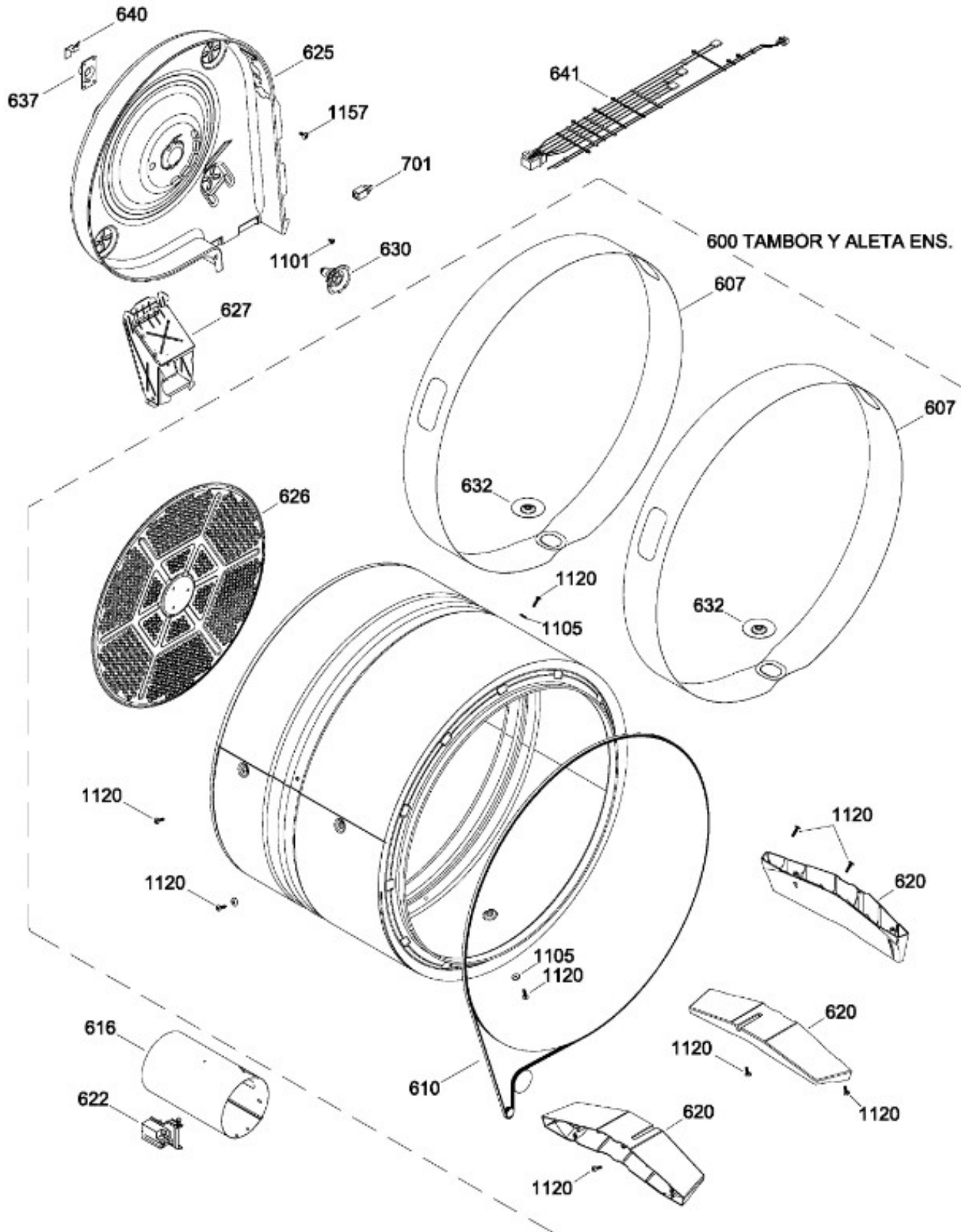
SurteRápido.com

Venta de Refacciones
Electrodomesticas

SECADORA GFMS350GL1WW

TAMBOR

GFMS350GL1WW



Distribuidor Autorizado

SurteRápido.com

Venta de Refacciones
Electrodomesticas

SECADORA GFMS350GL1WW

| Guía | Refacción | Descripción |
|------|--------------|---------------------------|
| 7 | WW03L00349 | PERILLA ENSAMBLE |
| 12 | 248C1068P002 | LOGO |
| 31 | WW02A00111 | CHASSIS & PCB ENSAMBLE |
| 32 | 189D7143P001 | PROTECTOR FRONTAL |
| 33 | WW02L00347 | CUBIERTA POSTERIOR(BCO) |
| 40 | WW02F00380 | PANEL Y GRAFICOS ENS(BCO) |
| 100 | WW02L00383 | FRONT PANEL WHITE |
| 101 | WW03L00186 | MARCO Y FILTRO ENS |
| 101 | WW02F00614 | MARCO Y FILTRO ENS |
| 102 | WW02L00025 | INTERRUPTOR PUERTA |
| 103 | WW03L00187 | SELLO FILTRO |
| 108 | WW02L00172 | DOOR SWITCH COVER |
| 110 | WW02A00086 | COJINETE SUP. |
| 110 | WW02A00086 | COJINETE SUP. |
| 111 | WW03A00161 | DUCTO TRAMPA |
| 111 | WW03A00161 | DUCTO TRAMPA |
| 111 | WW02F00604 | DUCTO TRAMPA |
| 113 | WW02L00138 | FELPA DUCTO RECOLECTOR |
| 115 | WW02A00033 | BEARING_SLIDE |
| 116 | WW02L00038 | BEARING_SLIDE |
| 119 | WW02F00131 | FIELTRO |
| 119 | WW02F00784 | FIELTRO |
| 123 | WW02A00056 | STRIKE PLATE |
| 124 | WW02A00057 | STRIKE PLATE |
| 125 | WW02F00088 | SENSOR ROD |
| 127 | WW02A00067 | LAMP |
| 127 | WW03F00458 | LAMP |
| 127 | WW03F00458 | LAMPARA |
| 128 | WW03A00117 | SELLO |
| 129 | WW02F00255 | ARNES CONJINETE SUPERIOR |
| 129 | WW03F00469 | ARNES CONJINETE SUPERIOR |
| 135 | WW03F00307 | SEGURO |
| 136 | WW03L00221 | TAPON CIEGO(GRIS) |
| 137 | WW02F00372 | DUCTO TRAMPA ENSAMBLE |
| 137 | WW02F00603 | DUCTO TRAMPA ENSAMBLE |

Distribuidor Autorizado

SurteRápido.com

Venta de Refacciones
Electrodomesticas

SECADORA GFMS350GL1WW

| Guía | Refacción | Descripción |
|------|--------------|----------------------------|
| 138 | WW02A00092 | BOQUILLA |
| 139 | WW02F00121 | CODO |
| 141 | WW02F00122 | CONEXION DE SERVICIO |
| 142 | WW02A00093 | NUT-STRIP DOOR GUIDE |
| 143 | WW02A00082 | BEAUTY BOTTON |
| 144 | WW02L00167 | DOOR GUIDE |
| 146 | WW02F00135 | HARNES SENSORS |
| 150 | WW02L00190 | PARRILLA PARA ZAPATOS |
| 152 | WW03L00190 | SELLO DUCTO TRAMPA |
| 152 | WW03F00354 | SELLO DUCTO TRAMPA |
| 202 | 189D7130P002 | CONTRAPUERTA |
| 205 | WW02L00369 | VIDRIO EXTERIOR |
| 206 | WW02L00338 | MASCARA PUERTA |
| 207 | WW02F00401 | ANILLO EXTERIOR |
| 209 | WW02L00168 | DOOR INNER WINDOW |
| 216 | WW03L00226 | SELLO PUERTA |
| 216 | WW02L00414 | SELLO PUERTA |
| 220 | WW03L00374 | BISAGRA ENSAMBLE |
| 233 | WW02L00371 | CUBIERTA JALADERA |
| 236 | WW02A00065 | BOTON BELLEZA |
| 240 | WW02L00372 | COVER HINGE |
| 285 | WW02L00037 | LATCH ASM. |
| 304 | WW03F00293 | TUBO POSTERIOR |
| 305 | WW03F00132 | TUBO FRONTAL |
| 307 | WW03F00133 | AISLANTE |
| 316 | WW03L00202 | PROTECTOR VALVULA DE AGUA |
| 318 | WW02F00182 | VALVULA DE AGUA |
| 350 | 364B7057G001 | KIT MANGUERAS EXTERNAS |
| 400 | WW03L00203 | PLACA AMORTIGUADOR |
| 401 | 234D1047P002 | CUBIERTA SUPERIOR (BLANCA) |
| 403 | 212D1495P001 | PLACA POSTERIOR |
| 404 | WW03L00205 | LATERAL(BCO) |
| 404 | WW03L00205 | LATERAL(BCO) |
| 404 | WW03L00205 | LATERAL(BCO) |
| 404 | WW02L00644 | LATERAL(BCO) |

Distribuidor Autorizado

SurteRápido.com

Venta de Refacciones
Electrodomesticas

SECADORA GFMS350GL1WW

| Guía | Refacción | Descripción |
|------|------------|-------------------------------|
| 405 | WW02L00191 | PATTE DE NIVELLEMENT |
| 408 | WW03L00230 | BASE CHASIS |
| 410 | WW02A00113 | SUPPORT (PATTE DE NIVELLEMENT |
| 411 | WW02F00139 | PATA NIVELADORA ENS |
| 412 | WW02F00168 | TARJETA CONTROL PRINCIPAL |
| 420 | WW02L00196 | REAR PANEL |
| 420 | WW02L00196 | REAR PANEL |
| 421 | WW02F00140 | MAIN POWER BOARD SUPPORT |
| 422 | WW02F00022 | CORD SET RETAINER |
| 434 | WW03L00110 | CUBIERTA TERMOSTATO |
| 443 | WW03L00209 | PROTECTOR VALVULA DE GAS |
| 445 | WW02F00091 | CABLE TOMACORRIENTE |
| 447 | WW01A00458 | TAPA TOMACORRIENTE |
| 456 | WW02A00037 | BRIDE |
| 501 | WW02A00011 | SOPLADOR PUERTA |
| 501 | WW01F01162 | SOPLADOR PUERTA |
| 502 | WW02F00258 | CAJA VENTILADOR |
| 502 | WW03F00311 | CAJA VENTILADOR |
| 503 | WW01F01125 | BASE MOTOR |
| 503 | WW01L01163 | BASE MOTOR |
| 503 | WW01L01163 | BASE MOTOR |
| 503 | WW02L00642 | BASE MOTOR |
| 504 | WW02F00027 | SOPORTE MOTOR |
| 506 | WW02F00129 | EXHAUST DUCT |
| 506 | WW02F00721 | EXHAUST DUCT |
| 510 | WW02F00015 | MOTOR POLEA ENS. |
| 510 | WW03A00209 | MOTOR POLEA ENS. |
| 514 | WW02A00008 | ENS. BRAZO AUXILIAR |
| 514 | WW03F00350 | ENS. BRAZO AUXILIAR |
| 520 | WW02F00031 | CLIP MOTOR |
| 525 | WW02A00003 | TAPA |
| 527 | WW03L00112 | CUBIERTA MOTOR |
| 532 | WW02F00003 | CORREA MOTOR |
| 532 | WW02A00232 | CORREA MOTOR |
| 534 | WW02A00026 | EMPAQUE ESCAPE SOPLADOR |

Distribuidor Autorizado

SurteRápido.com

Venta de Refacciones
Electrodomesticas

SECADORA GFMS350GL1WW

| Guía | Refacción | Descripción |
|------|------------|-----------------------------|
| 534 | WW02F00785 | EMPAQUE ESCAPE SOPLADOR |
| 570 | WW02A00058 | PIPE & LUG ASM. |
| 570 | WW03F00137 | PIPE & LUG ASM. |
| 571 | WW02A00020 | QUEMADORES |
| 572 | WW02F00002 | ALLUME-GAZ |
| 572 | WW02F00740 | ALLUME-GAZ |
| 572 | WW01F01432 | ENCENDEDOR INCANDESCENTE |
| 573 | WW02F00077 | GAS VALVE BRACKET |
| 573 | WW03A00125 | GAS VALVE BRACKET |
| 574 | WW02F00099 | VALVE GAS |
| 575 | WW02F00079 | VALVULA Y QUEMADOR ENS |
| 578 | WW01F01529 | VALVULA Y TUBO PARA GAS LP |
| 600 | WW02F00167 | TAMBOR Y ALETA ENS |
| 607 | WW02L00098 | BANDA TAMBOR |
| 610 | WW02F00028 | BANDA SECADORA |
| 610 | WW02F00854 | BANDA SECADORA |
| 616 | WW03F00296 | TUBO DE COMBUSTION |
| 616 | WW02F00722 | TUBO DE COMBUSTION |
| 620 | WW03L00232 | ALETA |
| 622 | WW02F00001 | DETECTOR TERMOSTATO |
| 625 | WW02L00014 | DIFUSOR GAS |
| 625 | WW03F00095 | DIFUSOR GAS |
| 626 | WW02F00030 | DIFUSOR |
| 627 | WW02F00127 | DUCTO DE TRANSICION |
| 627 | WW03F00539 | DUCTO DE TRANSICION |
| 630 | WW02A00019 | SOPORTE Y FLECHA ENSAMBLE |
| 632 | WW02A00072 | RONDANDA BANDA |
| 637 | WW02A00005 | RETENEDOR RODAMIENTO |
| 640 | WW01A00443 | GROUND STRAP ASSEMBLY |
| 641 | WW02F00416 | ARNES DERECHO |
| 700 | WW02A00102 | SCREW CHASSIS TO FRONT HSG. |
| 701 | WW02A00087 | ENCLOSED SCREW GROMMET |
| 704 | WW02A00099 | SCREW # 10 |
| 707 | WW02A00097 | SCREW |
| 708 | WW02A00098 | SCREW |

Distribuidor Autorizado

SurteRápido.com

Venta de Refacciones
Electrodomesticas

SECADORA GFMS350GL1WW

| Guía | Refacción | Descripción |
|------|------------|--------------------------|
| 708 | WW01A00539 | SCREW |
| 711 | WW02A00101 | TORNILLO |
| 723 | WW03A00145 | TORNILLO HI/LO 8-18 |
| 728 | WW02A00114 | TUERCAS |
| 729 | WW03A00146 | ARANDELAS |
| 730 | WW02F00402 | CINCHO |
| 731 | WW02A00120 | CALZA |
| 732 | WW03A00092 | TORNILLO 6-16 B B1Q1 3/4 |
| 734 | WW03A00156 | TORNILLO 8-18 AB PNQ2 |
| 735 | WG04A02784 | TORNILLO 10 |
| 1101 | WW02A00030 | TORNILLO |
| 1101 | WW02A00211 | TORNILLO |
| 1102 | WW02A00029 | TORNILLO |
| 1102 | WW02A00211 | TORNILLO |
| 1103 | WW02A00032 | TORNILLO |
| 1105 | WW02A00002 | ARANDELA |
| 1106 | WW02A00027 | SCREW |
| 1115 | WW01A00450 | TORNILLO 8-18 AB 1/2 |
| 1120 | WW02A00031 | TORNILLO |
| 1121 | WW01A00001 | TORNILLO |
| 1124 | WW02A00070 | TORNILLO |
| 1131 | WW02A00028 | TORNILLO |
| 1157 | WW01A00456 | TORNILLO #10 |