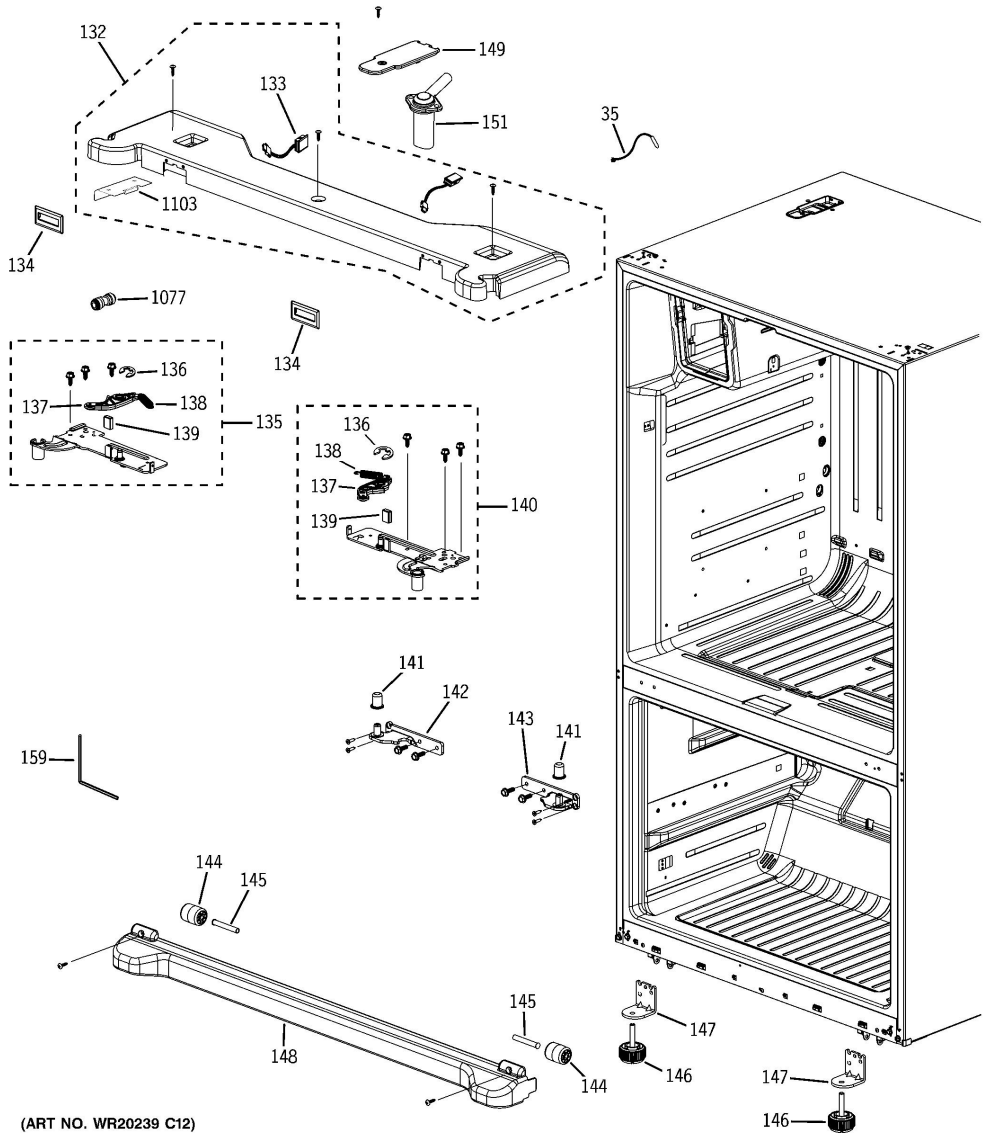


Refrigerador GE GFSS6KKYESS

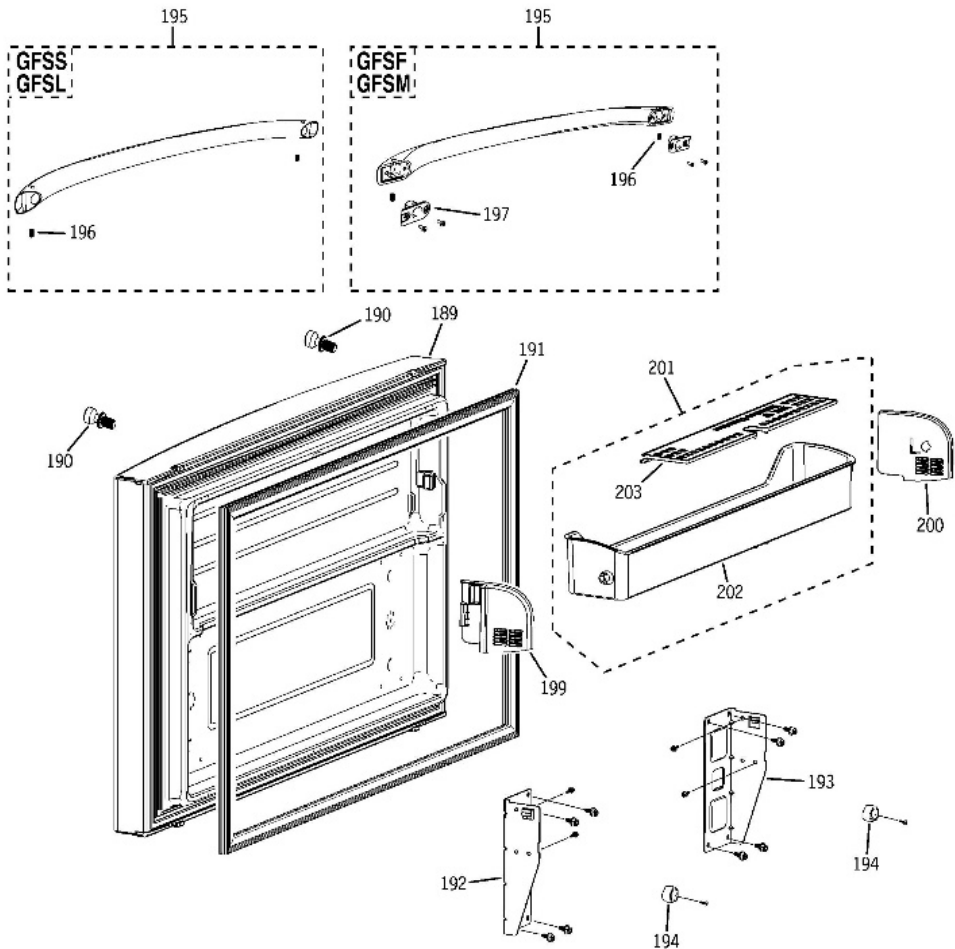




Refrigerador GE GFSS6KKYESS

Guía	N.P.	Descripción
35	WR23X10580	SENSOR TEMP
132	WR13X10549	ASM CONTROL PANEL COVER
133	WR23X10587	SWITCH REED ASM
134	WR13X10575	CONTROL PANEL CAP
135	WR13X10772	ASM HINGE UPP-L
136	WR02X12604	C - CLIP
137	WR02X12668	ASM LEVER AUTO CLOSE
138	WR02X12619	SPRING AUTO CLOSE
138	WR02X13188	SPRING ETC-AUTO CLOSE
139	WR02X12632	GROMMET LEVER
140	WR13X10547	ASM HINGE UPPER RIGHT
141	WR02X12747	GROMMET HINGE MIDDLE
142	WR13X10764	ASM HINGE MID-L
143	WR13X10765	ASM HINGE MID-R
144	WR02X13136	FRONT WHEEL
145	WR02X12608	WHEEL AXLE
146	WR02X12606	FOOT FRONT
147	WR02X12748	SUPPORT FOOT FRONT
148	WR79X10060	COVER-LEG FRONT
149	WR02X13204	ASM-COVER PIPE WATER
151	WR02X13421	ASM PIPE-WATER
159	WR02X12649	WRENCH
1077	WR02X24203	TUBE-FITTING-B
1103	WR13X10600	CASE TOP COVER

Refrigerador GE GFSS6KKYESS

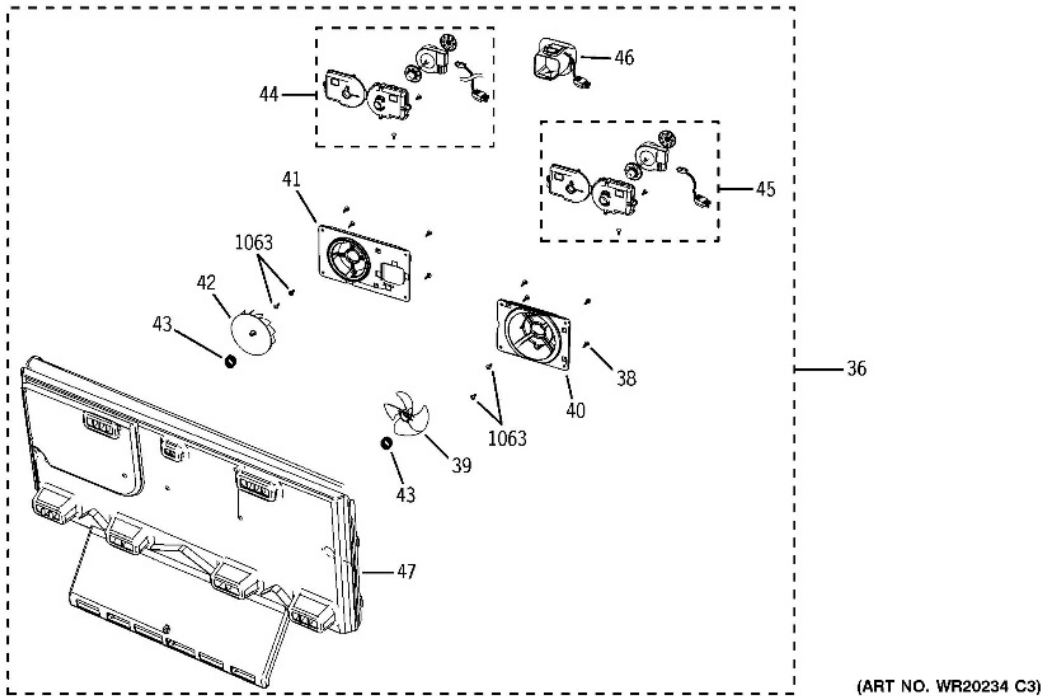
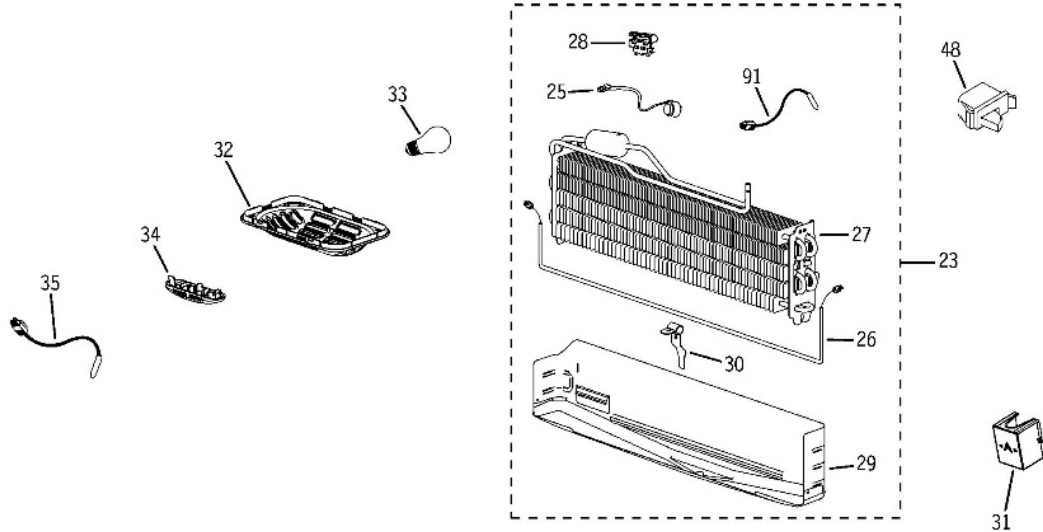




Refrigerador GE GFSS6KKYESS

Guía	N.P.	Descripción
189	WR78X12117	ASM DOOR FOAM FRE
190	WR02X12621	FIXER HANDLE
191	WR24X10213	ASM-GASKET DOOR FZ
192	WR13X10502	HANGER RAIL FRONT L
193	WR13X10503	HANGER RAIL FRONT R
194	WR02X13422	SUPPORT DOOR POSITION IN
195	WR12X10917	ASM HANDLE-FRE
196	WR01X10775	SCREW SET
199	WR02X12811	SUPPORT-GUARD FRE L
200	WR02X12812	SUPPORT-GUARD FRE R
201	WR02X12654	ASM GUARD FRE
202	WR02X12630	GUARD FRE
203	WR02X12631	GUARD FRE FLIP

Refrigerador GE GFSS6KKYESS

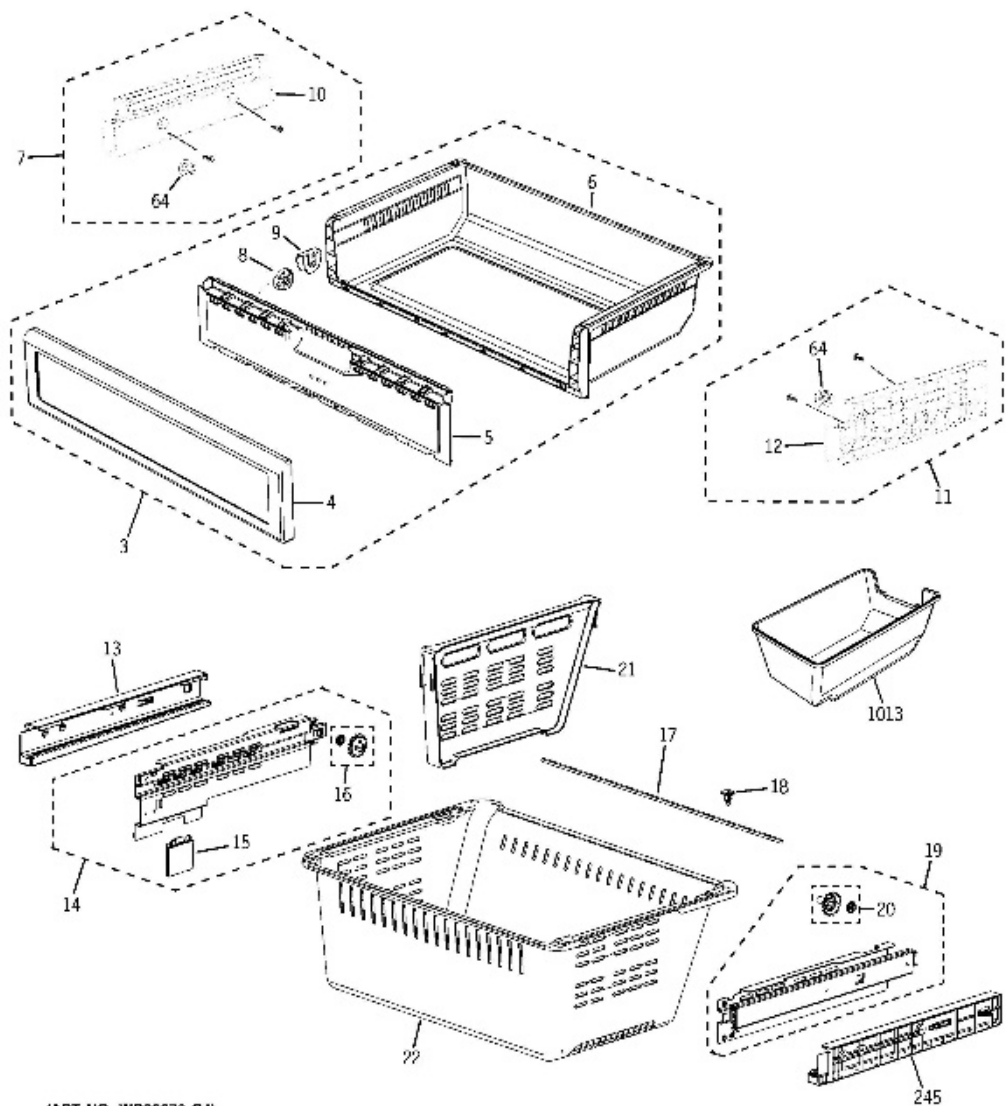




Refrigerador GE GFSS6KKYESS

Guía	N.P.	Descripción
23	WR85X10142	ASM EVAPORATOR FZ
25	WR02X12591	BIMETAL
26	WR51X10128	DEFROST HEATER FZ
27	WR85X10096	EVAP FZ
28	WR01X10777	SENSOR HOLDER FZ
29	WR13X10602	EVAP DRAIN TRAY FZ
30	WR51X10105	DEFROST HEATER
31	WR02X12744	HOUSING COVER HOLDER
32	WR13X10756	COVER-LAMP FZ
33	WR02X12594	LAMP INCANDESCENT
34	WR13X10498	COVER SENSOR
35	WR23X10580	SENSOR TEMP
36	WR13X10742	ASM EVAP FAN FZ
38	WR01X10769	SCREW TAPPING
39	WR60X10249	EVAP FAN BLADE
40	WR13X10510	EVAP FAN HOSUING FZ R
41	WR13X10518	EVAP FAN HOSUING FZ L
42	WR60X10264	EVAP BLADE BACKWARD
43	WR01X10436	RETAINING SPRING FAN
44	WR60X10255	EVAP MOTOR FZ LEFT
45	WR60X10254	EVAP MOTOR FZ RIGHT
46	WR51X10106	ASM HEATER DUCT FZ
47	WR17X12388	EVAP COVER FZ
48	WR23X10589	SWITCH DOOR FZ
91	WR23X10582	ASM TEMP SENSOR
1063	WR01X10463	SCREW-TAPPING

Refrigerador GE GFSS6KKYESS

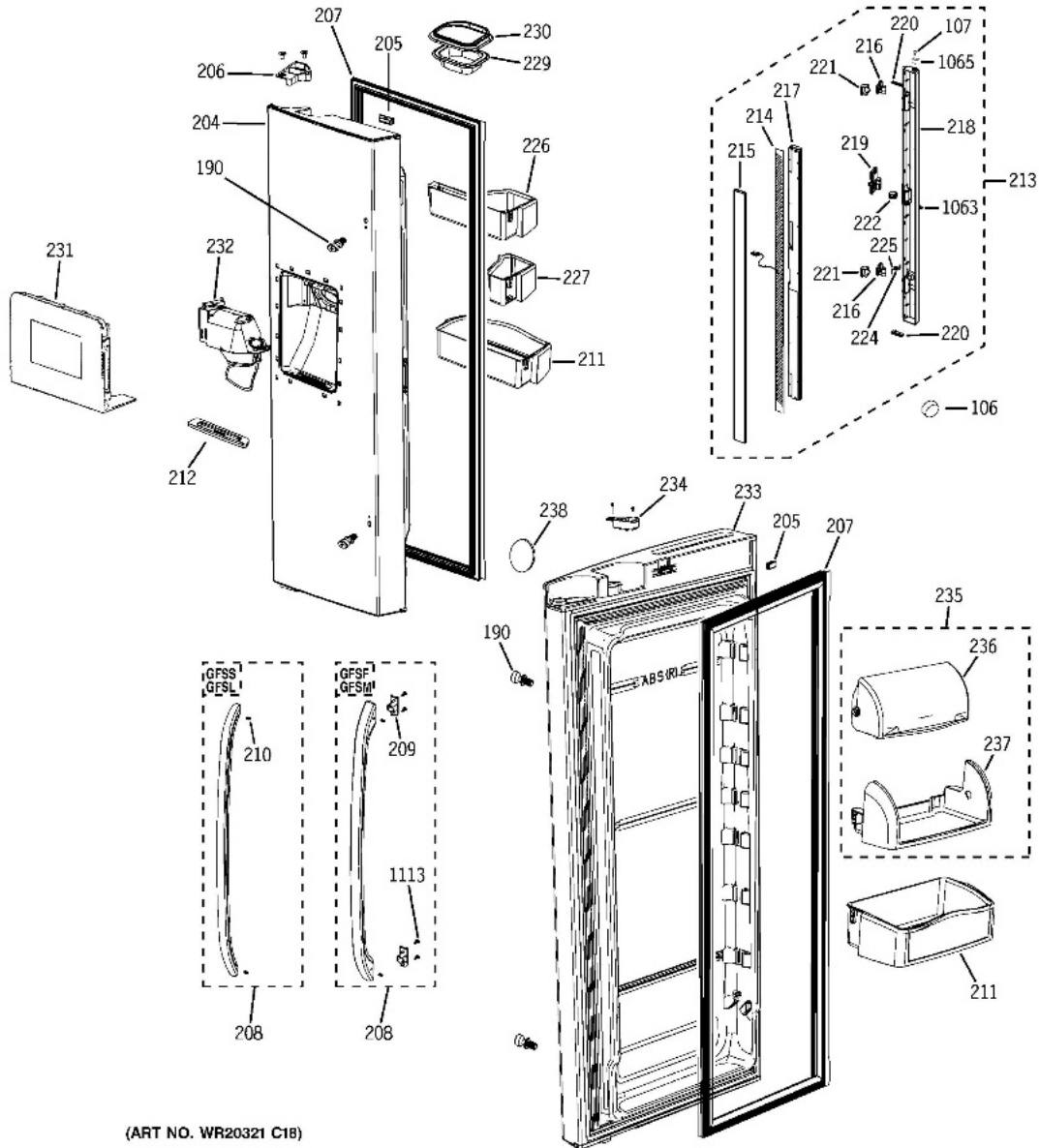




Refrigerador GE GFSS6KKYESS

Guía	N.P.	Descripción
3	WR32X10829	ASM TRAY-FRE UPP
4	WR32X10825	COVER-TRAY FZ UPP A
5	WR32X10675	INNER COVER TRAY UPP
6	WR32X10826	TRAY-FZ UPP
7	WR72X10381	ASM RAIL-SLIDE UPP L
8	WR02X13420	ROLLER-TRAY FZ UPP
9	WR32X10827	FIXER-ROLLER TRAY FZ UPP
10	WR72X10382	RAIL-SLIDE UPP L
11	WR72X10383	ASM RAIL-SLIDE UPP R
12	WR72X10384	RAIL-SLIDE UPP R
13	WR13X10480	COVER RAIL LOW L
14	WR72X10385	ASM RAIL SLIDE LOW L
15	WR23X10588	SWITCH PRESSURE
16	WR02X12742	ASM GEAR L
17	WR02X12637	SHAFT GEAR
18	WR02X12641	CAP DOOR HANDLE
19	WR72X10386	ASM RAIL SLIDE LOW R
20	WR02X12743	ASM GEAR R
21	WR21X10160	BASKET DIVIDER
22	WR14X10339	ASM TRAY-DRAWER BOX
64	WR02X12640	VEG PAN ROLLER
245	WR21X10175	COVER RAIL LOW R
1013	WR17X12732	ICE BUCKET

Refrigerador GE GFSS6KKYESS





Refrigerador GE GFSS6KKYESS

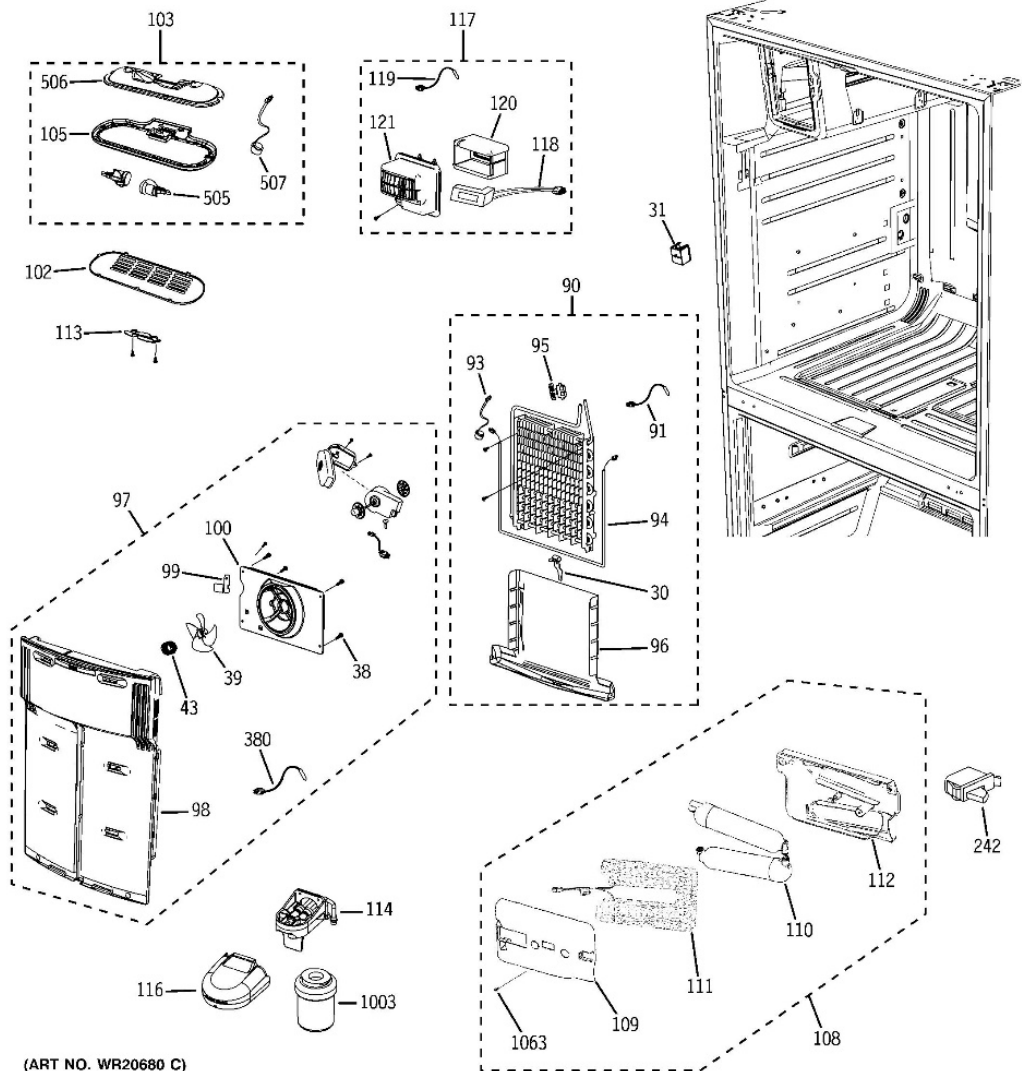
Guía	N.P.	Descripción
106	WR02X12647	CAP SCREW
107	WR01X10772	SCREW TAPPING
190	WR02X12621	FIXER HANDLE
204	WR78X12474	ASM DOOR FOAM REF-L
205	WR17X12404	MAGNET ASS'Y
206	WR02X12666	CAM AUTO CLOSE L
207	WR24X10201	ASM GASKET DOOR REF
208	WR12X10916	ASM HANDLE-REF
209	WR02X12813	BRACKET HANDLE REF(BMC)
210	WR01X10774	SCREW SET
211	WR21X10178	DOOR BIN ASM UPPER
212	WR13X10545	TRAY DISPENSER
213	WR02X12863	ASM FRENCH
214	WR55X10986	HEATER CORD-FRENCH
215	WR13X10543	PLATE FRENCH
216	WR13X10516	HINGE FRENCH
217	WR02X12616	CASE FRENCH
218	WR82X10114	INSULATION FRENCH
219	WR13X10491	COVER HEATER FRENCH
220	WR24X10196	GASKET FRENCH
221	WR02X12643	CAP CASE FRENCH
222	WR02X12645	CAP CASE FRENCH MID
224	WR02X12651	PIN FRENCH SPRING
225	WR02X12650	SPRING ETC FRENCH
226	WR13X10609	DOOR BIN ASM SMALL
227	WR13X10608	DOOR BIN ASM MID
229	WR02X12646	CAP CHUTE ICE
230	WR24X10194	GASKET CAP CHUTE ICE



Refrigerador GE GFSS6KKYESS

Guía	N.P.	Descripción
231	WR13X10888	ASM COVER-DISPENSER
232	WR13X10737	ASM CASE-ICE ROUTE
233	WR78X12219	ASM DOOR FOAM REF R
234	WR02X12665	CAM AUTO CLOSE R
235	WR22X10061	DAIRY COVER ASM
236	WR22X10060	GUARD-DAIRY
237	WR02X12815	GUARD DAIRY
238	WR02X12816	MASCOT
1063	WR01X10463	SCREW-TAPPING
1065	WR01X10903	CAP-GUIDE FRENCH UPP
1113	WR01X10839	SCREW TAPPING

Refrigerador GE GFSS6KKYESS





Refrigerador GE GFSS6KKYESS

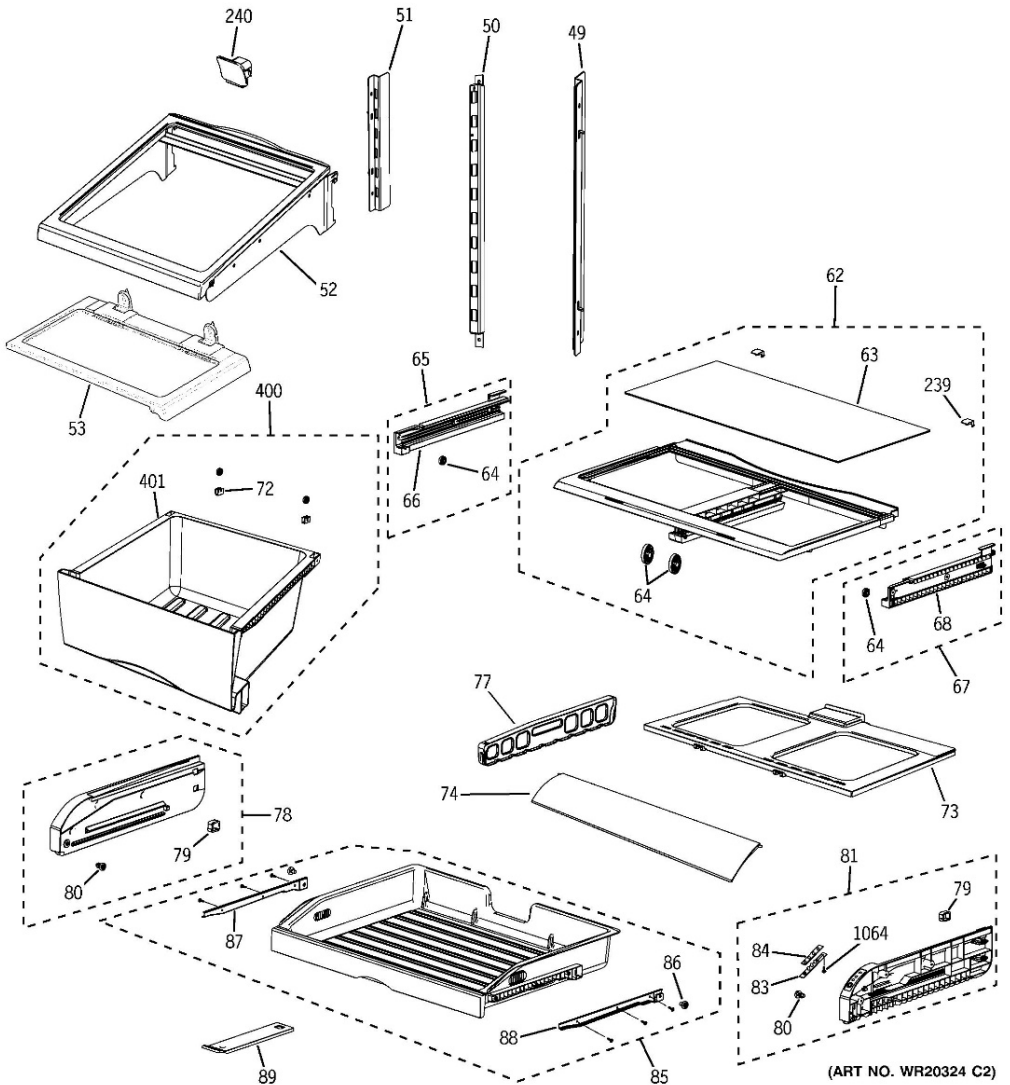
Guía	N.P.	Descripción
30	WR51X10105	DEFROST HEATER
31	WR02X12744	HOUSING COVER HOLDER
38	WR01X10769	SCREW TAPPING
39	WR60X10249	EVAP FAN BLADE
43	WR01X10436	RETAINING SPRING FAN
90	WR85X10141	ASM EVAP REF
91	WR23X10582	ASM TEMP SENSOR
93	WR02X12592	BIMETAL
95	WR02X12620	SENSOR CLAMP
96	WR13X10878	PLATE-DRAIN REF
97	WR60X10324	ASM COVER-EVAP REF
98	WR17X12516	COVER EVAP
99	WR02X12745	EVAP HOUSING CLIP
100	WR13X10509	EVAP MOTOR HOSUING
102	WR13X10604	LIGHT COVER
103	WR13X10606	ASM LIGHT FF
105	WR13X10504	LIGHT HOLDER
108	WR17X12739	ASM-COVER WATER TANK
109	WR51X10118	COVER HEATER WATER TANK
110	WR17X12741	ASM TANK WATER
111	WR51X10117	HEATER WATER TANK
112	WR13X10733	COVER-TANK WATER
113	WR02X12746	DOOR GUIDE
114	WR17X12512	WATER FILER HEAD
116	WR13X10603	COVER-WATER FILTER
117	WR09X10173	ASSY COVER-MOTOR DAMPER
118	WR60X10253	ASM DAMPER MOTOR
119	WR23X10612	SENSOR TEMP PANTRY



Refrigerador GE GFSS6KKYESS

Guía	N.P.	Descripción
120	WR02X12627	DAMAPER INLET
121	WR13X10611	DAMPER COVER FF
242	WR23X10593	SWITCH DOOR
380	WR50X10058	THERMISTOR - FZ
505	WR02X12809	LAMP HOLER-ASSY
506	WR13X10599	PLATE-LAMP REF
507	WR02X12808	BIMETAL
1003	GWF	FILTER CANISTER
1063	WR01X10463	SCREW-TAPPING

Refrigerador GE GFSS6KKYESS



(ART NO. WR20324 C2)



Refrigerador GE GFSS6KKYESS

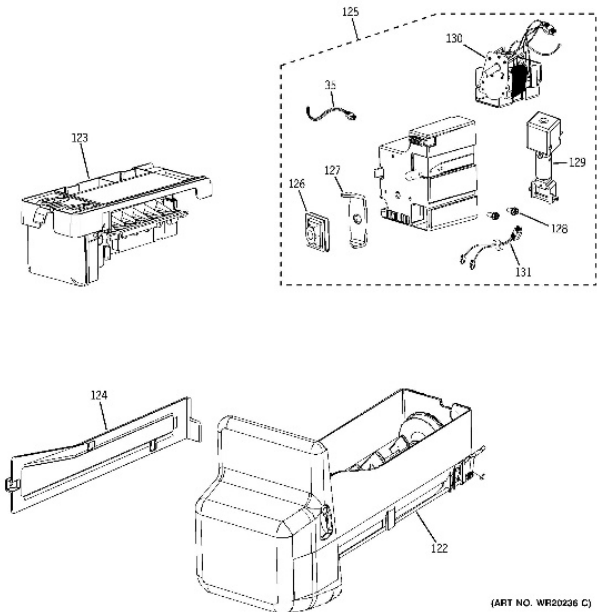
Guía	N.P.	Descripción
49	WR72X10251	CANT TRACK LEFT RIGHT
50	WR72X10253	CANT TRACK MIDDLE
51	WR72X10252	CANT TRACK LEFT
52	WR71X10808	UPPER SELF GLASS
53	WR71X10870	ASM SHELF REF FOLD
62	WR32X10662	ASM COVER VEG PAN
63	WR32X10662	GLASS COVER VEG
64	WR02X12640	VEG PAN ROLLER
65	WR72X10267	ASM RAIL VEG LEFT
66	WR72X10268	RAIL VEG LEFT
67	WR72X10269	ASM RAIL VEG RIGHT
68	WR72X10270	RAIL VEG RIGHT
72	WR02X12648	CASE VEG PAN ROLLER
73	WR71X10786	ASM SHELF PANTRY
74	WR32X10832	ASSY COVER-SLIDE PANTRY
77	WR32X10669	PANTRY DIVIDE
78	WR72X10271	ASM COVER PANTRY LEFT
79	WR02X12614	SUPPORT ROLLER PANTRY
80	WR02X13281	ASM-ROLLER A
81	WR72X10295	ASM COVER-RAIL PANTRY R
83	WR55X10761	PRINTED BOARD PANTRY
84	WR55X10807	CONTROL PANEL INLAY
85	WR32X10686	ASM CASE-PANTRY
86	WR02X13280	ASM-ROLLER B
87	WR72X10273	ASM RAIL PANTRY LEFT



Refrigerador GE GFSS6KKYESS

Guía	N.P.	Descripción
88	WR72X10274	ASM RAIL PANTRY RIGHT
89	WR02X12613	SUPPORT PANTRY PAN
239	WR02X12612	FIXER COVER VEG
240	WR02X12644	CAP ANGLE
400	WR32X10685	ASM CASE-VEG REF
401	WR32X10682	ASM CASE VEG PAN
1064	WR01X10520	SCREW-TAPPING

Refrigerador GE GFSS6KKYESS



(ART NO. WR20236 C)

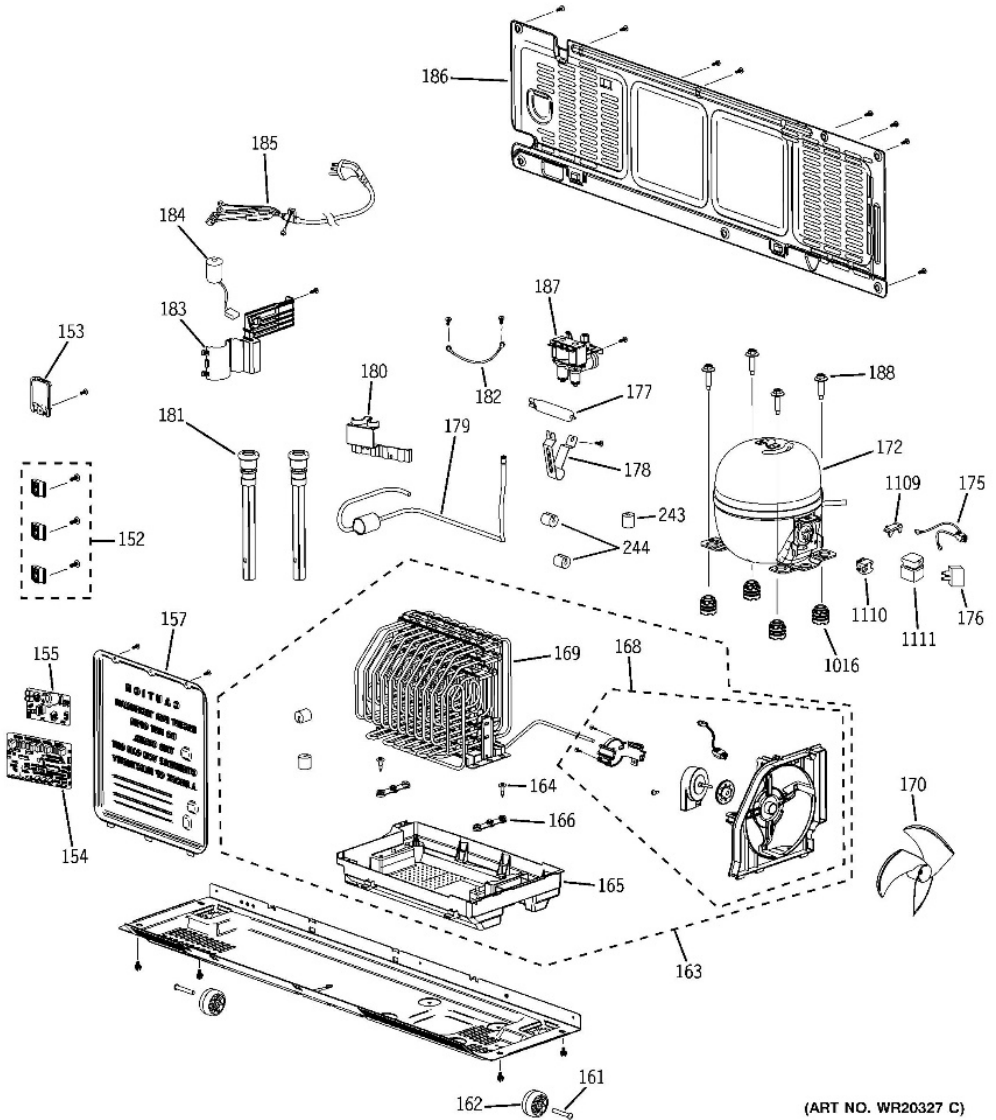
Guía	N.P.	Descripción
35	WR23X10580	SENSOR TEMP
122	WR29X10098	ICE BUCKET ASM GE
123	WR30X10131	ASM ICE MAKER
124	WR13X10574	IM HARNESS COVER
125	WR60X10304	ASM-CASE AUGER MOTOR
126	WR02X11957	J-NUT
127	WR13X10501	PLATE DRIVE AUGER
128	WR02X11870	SCREW-SPECIAL
129	WR29X10077	AUGUER MOTOR SOLENOID
131	WR23X10674	ASM-WIRE HARNESS SUB(EM)

Distribuidor Autorizado

SurteRápido.com

Venta de Refacciones
Electrodomesticas

Refrigerador GE GFSS6KKYESS



(ART NO. WR20327 C)



Refrigerador GE GFSS6KKYESS

Guía	N.P.	Descripción
152	WR02X12607	WATER LINE HOLDER
153	WR13X10520	WATER LINE COVER
154	WR55X11065	PBA MAIN
155	WR55X10764	CIRCUIT BOARD ICE MAKER
157	WR13X10531	ASM MAIN BOARD COVER
161	WR02X13154	WHEEL AXLE
162	WR02X13137	REAR WHEEL
163	WR87X10220	ASM TRAY-DRAIN WATER
164	WR01X10773	SCREW SPECIAL
165	WR30X10129	TRAY-DRAIN WATER
166	WR02X12635	GROMMET CONDENSER
168	WR60X10320	ASM SUPPORT-CIRCUIT MOTO
169	WR84X10099	CONDENSER
170	WR60X10266	CONDENSER FAN BLADE
172	WR87X10185	COMPRESSOR
175	WR23X10685	ASM-HARNES COMP
176	WR08X10096	RUN CAPACITOR
177	WR86X10079	DRYER
179	WR86X10058	ASM PIPE CONNECT-SUCTION
181	WR02X12751	ASM DRAIN LINE
182	WR23X10583	WIRE HARNES GROUND
183	WR13X10479	COVER NOISE FILTER
184	WR62X10067	EMI NOISE FILTER
185	WR23X10613	POWER CORD
186	WR17X12514	MACHINE COMP COVER
187	WR57X10091	VALVE-WATER FITTING
188	WR01X10437	BOLT COMPRESSOR



Refrigerador GE GFSS6KKYESS

Guía	N.P.	Descripción
243	WR02X12675	GROMMET-SUCT PIPE
244	WR02X12676	GROMMET-SUCT PIPE
1016	WR02X11915	GROMMET-COMP
1109	WR07X10112	ASSY-RELAY PTC
1110	WR07X10111	OLP
1111	WR02X11949	COVER RELAY