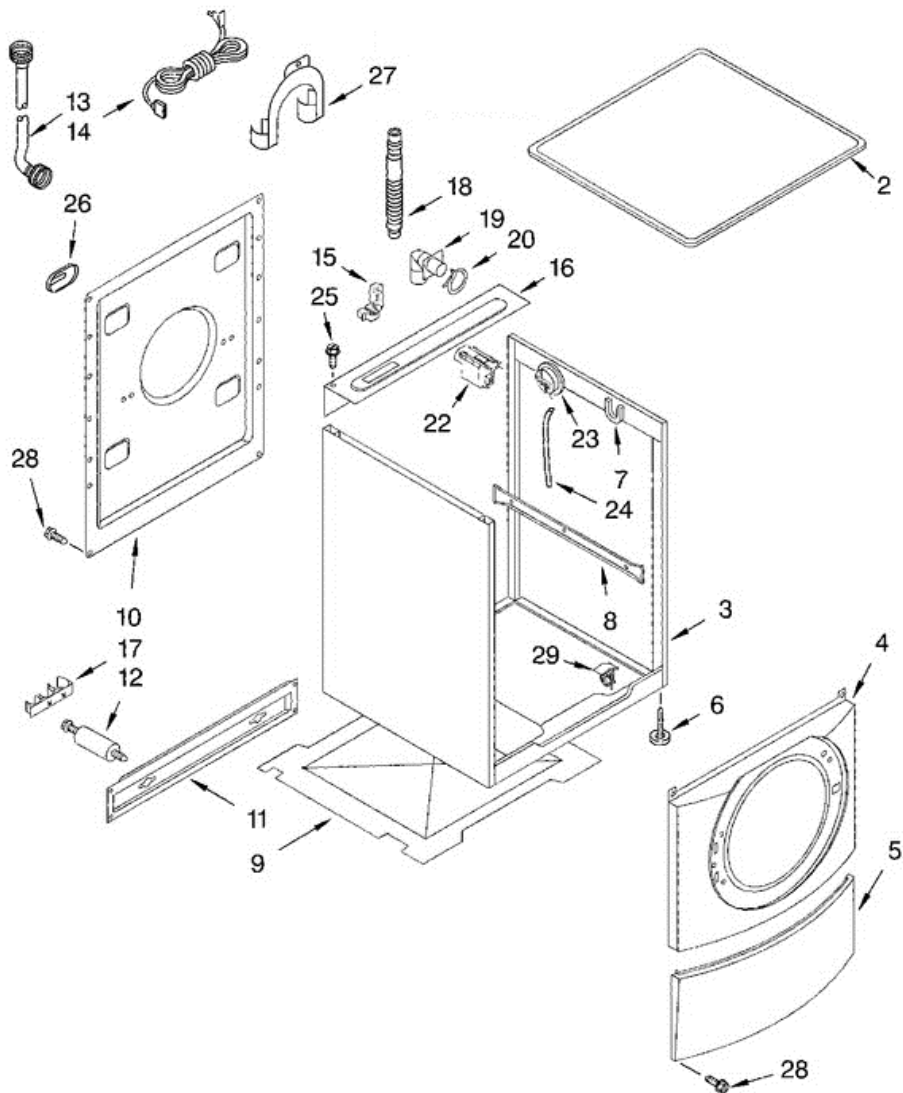


**GHW9100LW1 GABINETE**

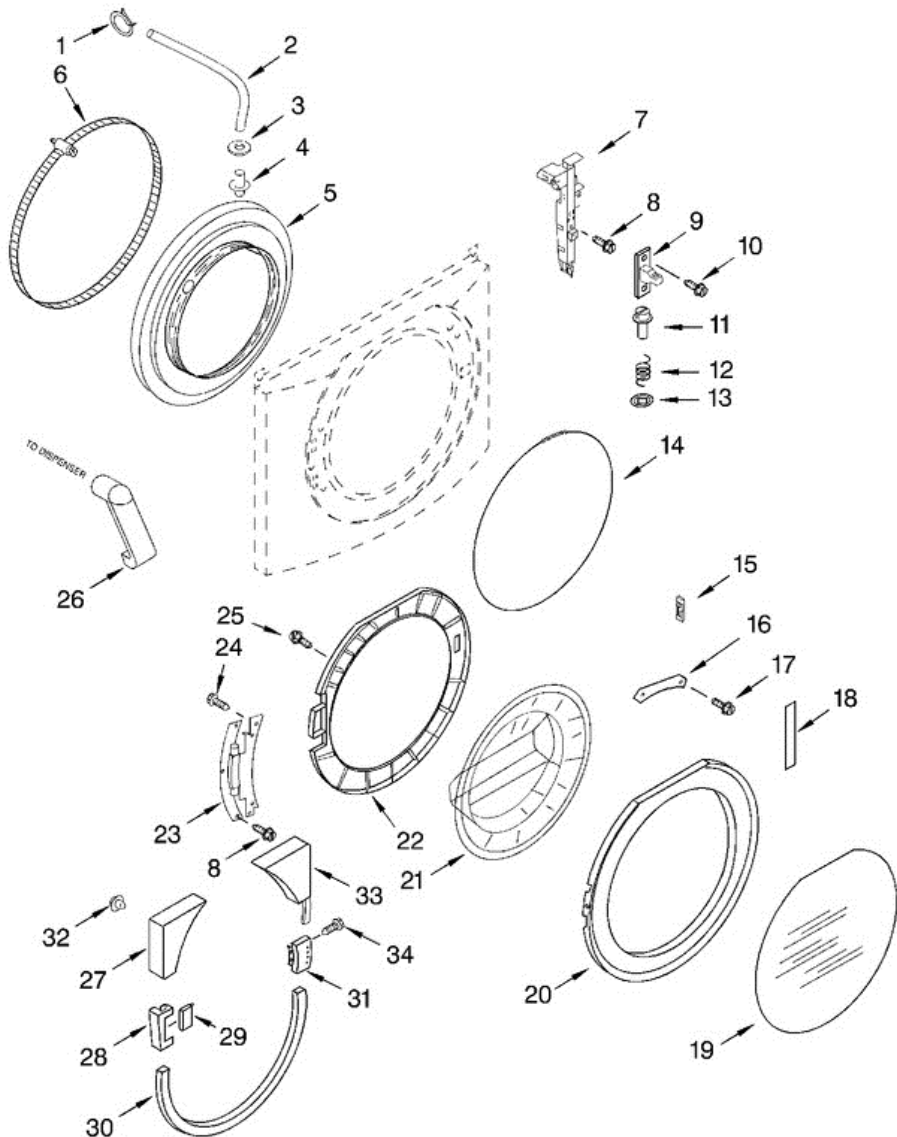




**GHW9100LW1 GABINETE**

2	8181799	TOP
3	8181630	CABINET
4	8181838	PANEL, FRONT
5	8181643	TOE PANEL
6	8181636	FOOT, LEVELING
7	8181763	BRACKET, SPRING
8	8181634	BRACE, SIDE PANEL
9	8181635	PAN, BOTTOM
10	8181638	PANEL, REAR
11	8181633	BRACE, TRANSPORT
12	8181764	BOLT, SHIPPING (UPPER)
12	8181765	BOLT, SHIPPING (LOWER)
13	8181706	HOSE, WATER INLET (BLUE COUPLER)
13	8181707	HOSE, WATER INLET (RED COUPLER)
14	8181689	CORD, POWER
15	8181690	STRAIN RELIEF
16	8181631	BRACE, REAR
17	8181749	CLAMP, TUBE TRANSPORTATION
18	8181737	HOSE, OUTLET
19	8181738	CONNECTOR, HOSE OUTLET
20	8181752	CLAMP, HOSE
22	8181683	FILTER, INTERFERENCE
23	8181695	SWITCH, PRESSURE
24	8181739	HOSE, PRESSURE SWITCH
25	8181691	SCREW
26	8181767	COVER, TRANSPORT
27	8181768	STORAGE, HOSE
28	8181828	SCREW
29	8181930	MICROSWITCH (2)

**GHW9100LW1 PUERTA**



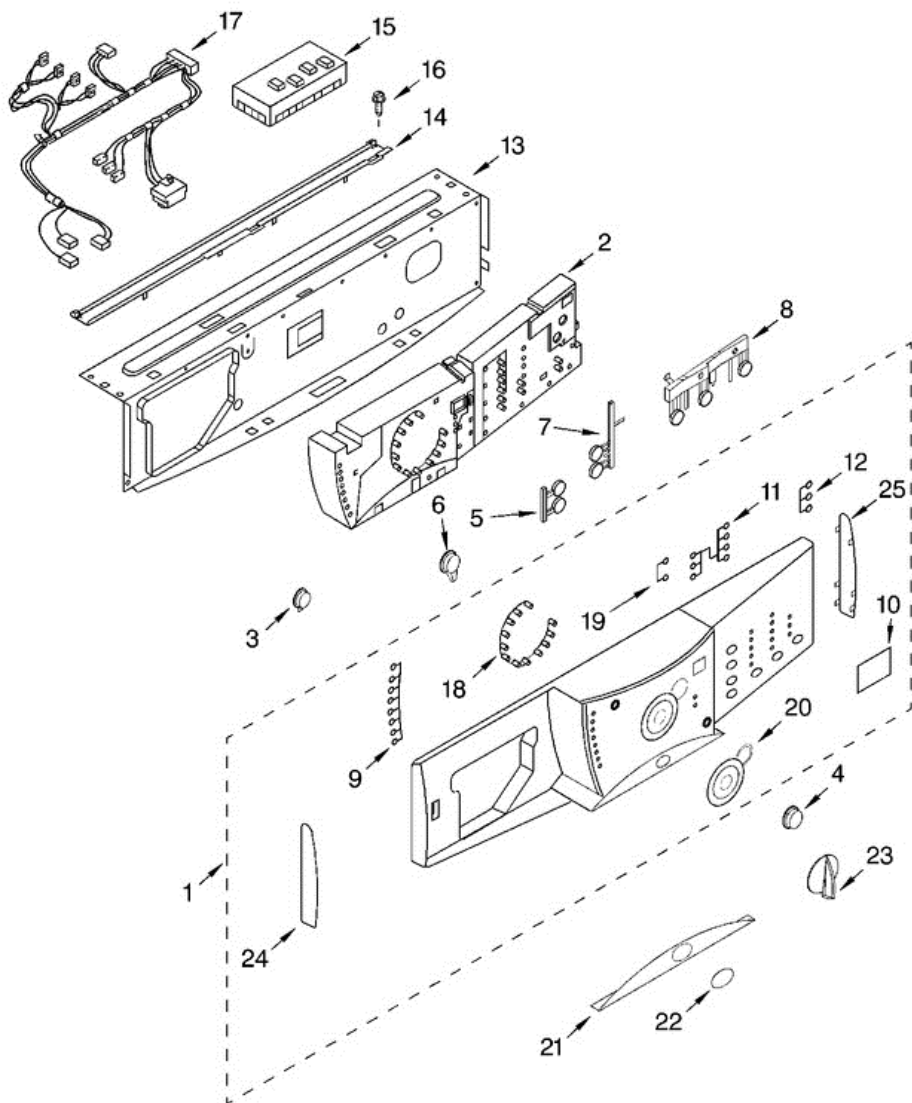


## GHW9100LW1 PUERTA

1	8181750	CLAMP
2	8181711	HOSE, BOX TO BELLOW
3	8181717	WASHER
4	8181716	NOZZLE, INLET WINDOW
5	8181850	BELLOW
6	8181663	CLAMP, BELLOW
7	8181700	LOCK, DOOR
8	8181760	SCREW
9	8181651	HOOK, DOOR
10	8181758	SCREW
11	8181652	PIN, SAFETY
12	8181653	SPRING
13	8181654	WASHER
14	8181664	CLAMP, BELLOW FRONT
15	8181659	CLAMP, SUPPORT
16	8181650	CLAMP, GLASS
17	8181785	SCREW
18	8181845	FOAM, DOOR HANDLE
19	8181847	SCREEN, DOOR
20	8181848	DOOR FRAME (GREY)
20	8181878	DOOR FRAME (BLUE)
21	8181655	GLASS, DOOR
22	8181849	DOOR, BACK SUPPORT
23	8181843	HINGE, DOOR
24	8181660	SCREW
25	8181661	SCREW
26	8181718	TUBE, DISPENSER TO BELLOW
27	8181842	TRIM, UPPER LEFT (GREY)
27	8181875	TRIM, UPPER LEFT (BLUE)
28	8181841	COVER, HINGE (OUTER) (GREY)
28	8181874	COVER, HINGE (OUTER) (BLUE)
29	8181844	COVER, HINGE (INNER) (GREY)
29	8181876	COVER, HINGE (INNER) (BLUE)

30	8181840	TRIM, LOWER (GREY)
30	8181873	TRIM, LOWER (BLUE)
31	8181846	HANDLE, DOOR (GREY)
31	8181877	HANDLE, DOOR (BLUE)
32	8181929	CLIP, TRIM
33	8181839	TRIM, UPPER RIGHT (GREY)
33	8181872	TRIM, UPPER RIGHT (BLUE)
34	8181759	SCREW

## GHW9100LW1 TABLERO

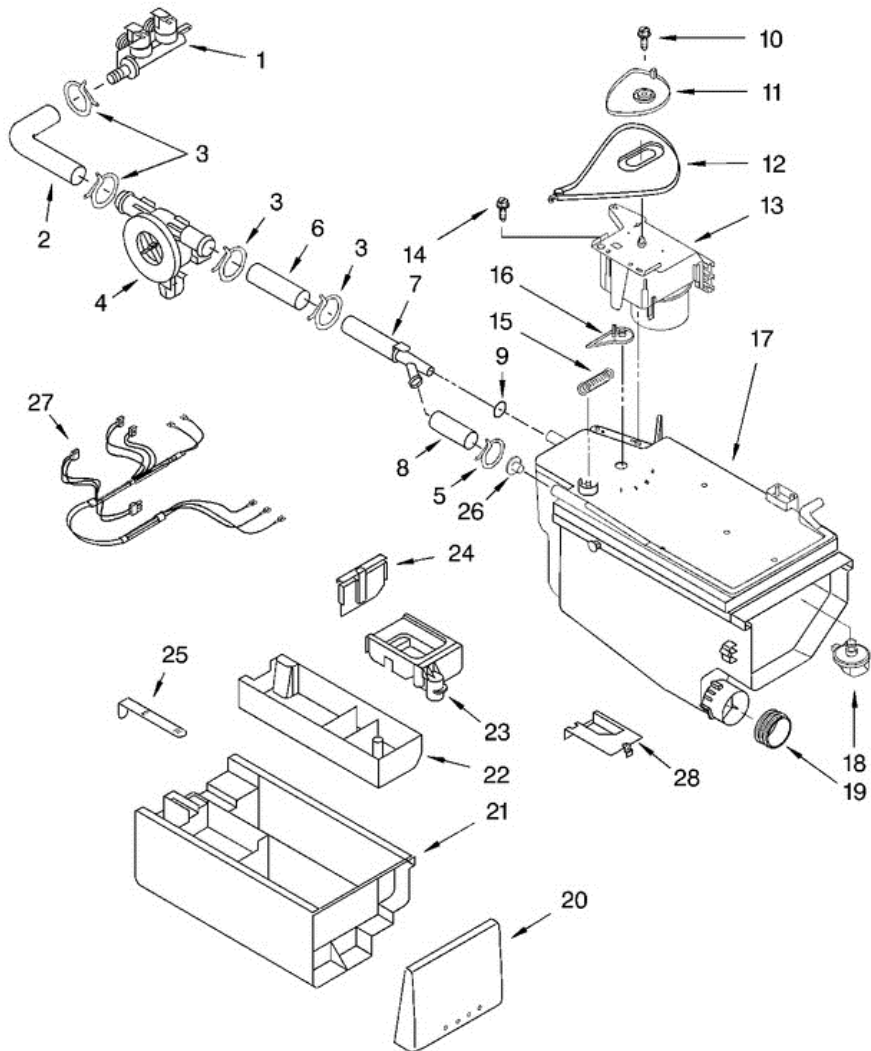




## GHW9100LW1 TABLERO

1	8181885	PANEL, CONTROL (GREY)
1	8181886	PANEL, CONTROL (BLUE)
2	8181905	USER INTERFACE
3	8181860	BUTTON, POWER
4	8181861	BUTTON, START
5	8181863	BUTTON SET, SOIL LEVEL (GREY)
5	8181882	BUTTON SET, SOIL LEVEL (BLUE)
6	8181862	BUTTON, PAUSE/CANCEL
7	8181889	BUTTON SET, OPTIONS (GREY)
7	8181892	BUTTON SET, OPTIONS (BLUE)
8	8181865	BUTTON SET, SPIN/TEMPERATURE (GREY)
8	8181884	BUTTON SET, SPIN/TEMPERATURE (BLUE)
9	8181868	LIGHT, INDICATOR (STATUS)
10	8181856	WINDOW, DISPLAY
11	8181908	LIGHT, INDICATOR (7 LIGHTS)
12	8181871	LIGHT, INDICATOR (3 LIGHTS)
13	8181639	BRACE, FRONT TOP
14	8181640	CHANNEL, WATER
15	8181923	MICROCOMPUTER, MACHINE CONTROL
16	8181756	SCREW
17	8181783	HARNESS, WIRE
18	8181906	LIGHT, INDICATOR (PROGRAM)
19	8181907	LIGHT, INDICATOR (2 LIGHTS)
20	8181855	BEZEL, KNOB
21	8181857	OVERLAY, DOOR
22	8181858	MEDALLION
23	8181859	KNOB, CONTROL (GREY)
23	8181881	KNOB, CONTROL (BLUE)
24	8181852	ENDCAP, LEFT
25	8181853	ENDCAP, RIGHT

**GHW9100LW1 DISPENSADOR**



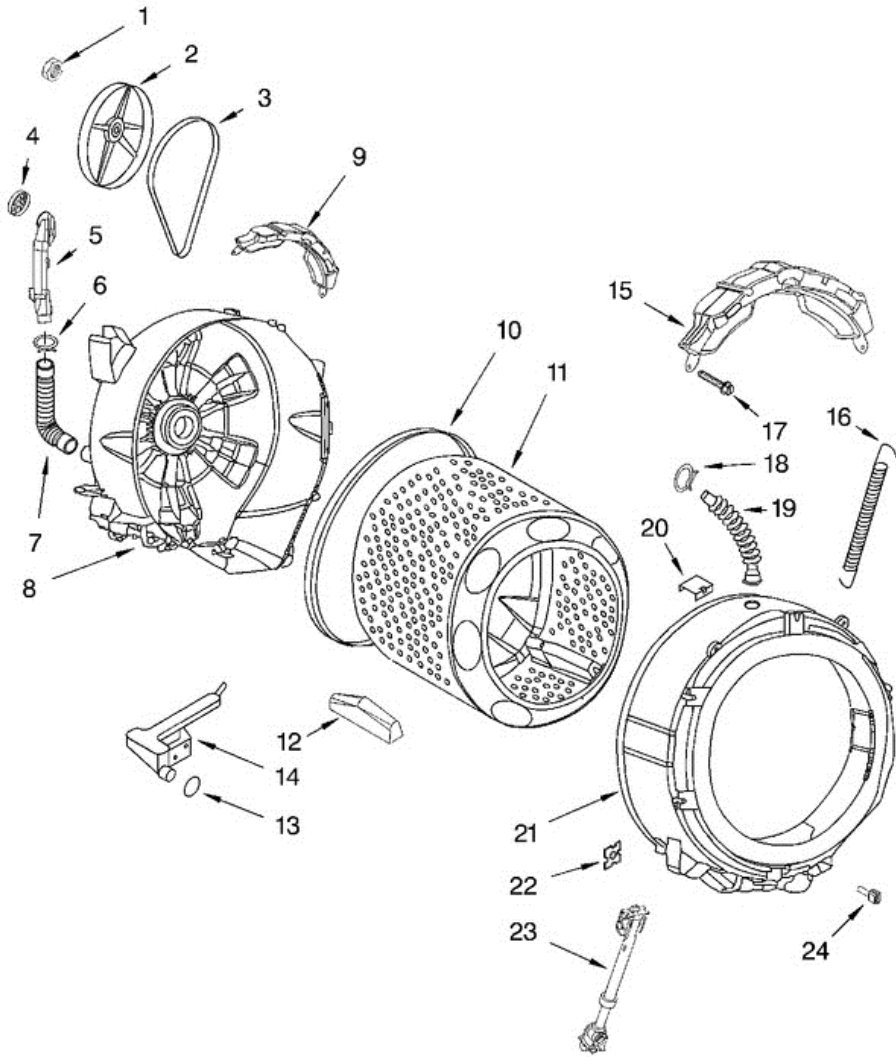




## GHW9100LW1 DISPENSADOR

1	8181694	VALVE, INLET
2	8181710	HOSE, FLOWMETER (L-SHAPED)
3	8181751	CLAMP
4	8181696	FLOWMETER
5	8181754	CLAMP
6	8181708	HOSE, FLOWMETER
7	8181713	NOZZLE, INLET
8	8181709	HOSE, DISPENSER
9	8181714	O-RING
10	8181728	SCREW
11	8181726	CAM, ACTUATOR
12	8181725	LEVER, WATER DISTRIBUTION
13	8181723	ACTUATOR
14	8181759	SCREW, SELF-CUTTING
15	8181727	SPRING, LEVER
16	8181724	CONNECTION, LEVER
17	8181719	DISPENSER
18	8181712	NOZZLE, DISTRIBUTION
19	8181747	SEAL
20	8181887	HANDLE, DRAWER (GREY)
20	8181888	HANDLE, DRAWER (BLUE)
21	8181720	DRAWER, DETERGENT
22	8181722	CONTAINER, DETERGENT
23	8181729	SIPHON, BLEACH/SOFTENER
24	8181730	SEPARATOR
25	8181721	HOOK, DRAWER
26	8181715	NOZZLE, WINDOW RINSE
27	8181781	HARNESS, WIRING (INLET VALVE)
28	8181898	COVER, PRE-WASH

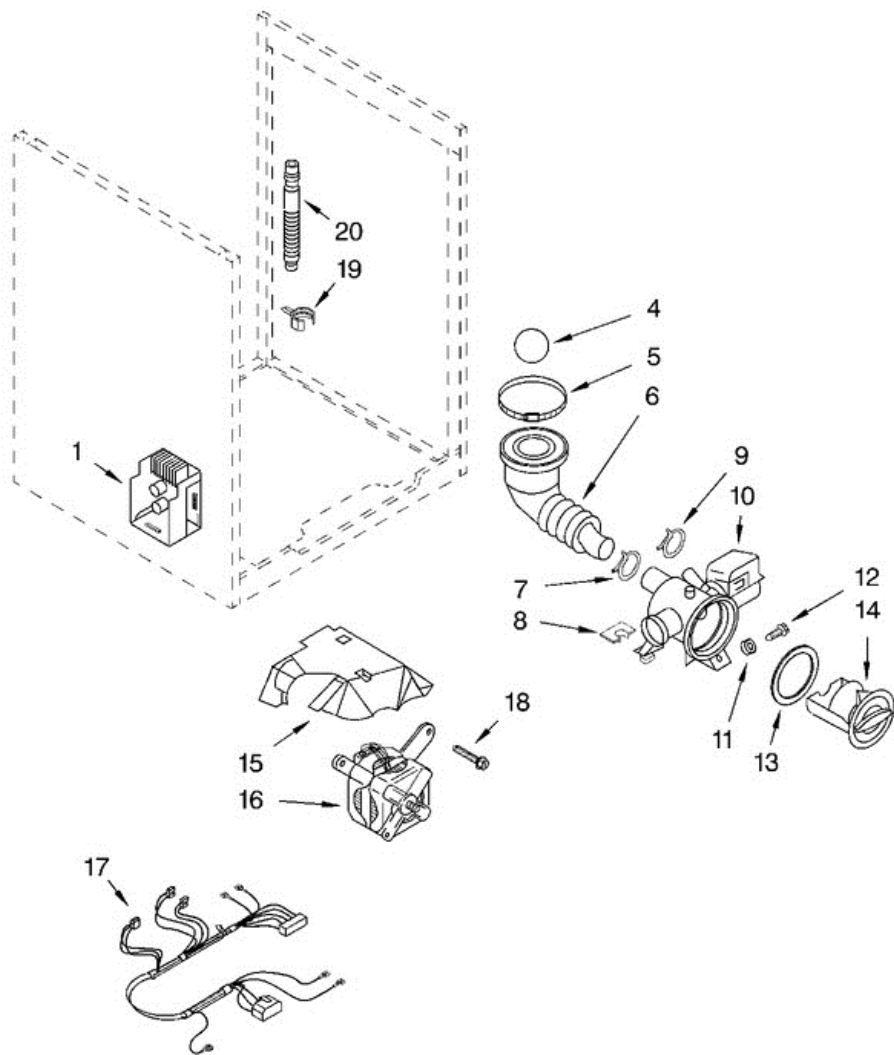
**GHW9100LW1 TINA**





**GHW9100LW1 TINA**

1	8181672	NUT, PULLEY
2	8181671	PULLEY
3	8181670	BELT
4	8181745	GRID, VENTILATION
5	8181744	PIPE, VENTILATION
6	8181746	CLAMP
7	8181743	HOSE, EXHAUST
8	8181912	TUB, REAR
9	8181913	COUNTERWEIGHT, REAR
10	8181673	GASKET, TUB
11	8181914	BASKET
12	8181669	BAFFLE, TUB
13	8181748	O-RING
14	8181731	AIRTRAP
15	8181645	COUNTERWEIGHT, FRONT
16	8181762	SPRING, SUSPENSION
17	8181647	BOLT
18	8181742	CLAMP
19	8181794	HOSE, TUB TO DISPENSER
20	8181667	CLAMP
21	8181825	TUB, FRONT
22	8181648	NUT, PUSH-IN
23	8181646	SHOCK ABSORBER
24	8181705	NTC

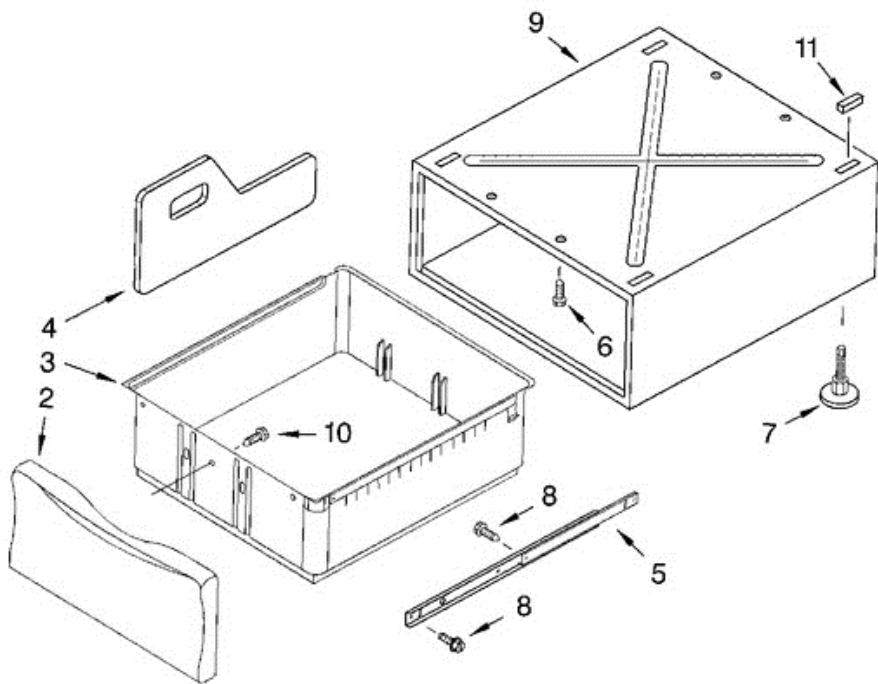




**GHW9100LW1 MOTOR / BOMBA**

1	8181693	CONTROL UNIT (MOTOR)
4	8181733	BALL
5	8181734	CLAMP
6	8181732	HOSE, TUB TO PUMP
7	8181753	CLAMP
8	8181786	DAMPER, RUBBER (REAR)
9	8181752	CLAMP
10	8181684	PUMP (COMPLETE)
11	8181787	DAMPER, RUBBER (FRONT)
12	8181780	SCREW
13	8181736	SEAL, FILTER CAP
14	8181735	CAP, FILTER
15	8181766	COVER, MOTOR
16	8181682	MOTOR
17	8181782	HARNESS, MOTOR
18	8181761	BOLT, MOTOR
19	8181755	RETAINER, DRAIN HOSE
20	285863	DRAIN EXTENSION
20	285865	SHIPPING KIT
20	350930	PAINT, PRESSURIZED SPRAY 12 OZ.) (WHITE)
20	350938	PAINT, PRESSURIZED SPRAY (12 OZ.)(PRIMER,GREY)
20	72017	PAINT, TOUCH-UP (1/2OZ.) (WHITE)
20	799344	PAINT, BULK (1 QT.) (WHITE (UNCUT))
20	8181740	DRAIN HOSE (INNER)

**GHW9100LW1 PEDESTAL**





## GHW9100LW1 PEDESTAL

2	8181772	DRAWER FRONT ASSEMBLY (WHITE)
2	8181773	DRAWER FRONT ASSEMBLY (BISCUIT)
2	8181774	DRAWER FRONT ASSEMBLY (GRAPHITE)
3	8181775	DRAWER
4	8181777	DIVIDER, DRAWER (SET OF 2)
5	8181778	SLIDE ASSEMBLY
6	3400111	SCREW
7	8181779	FOOT ASSEMBLY
8	8181793	SCREW, 6-30 X 3/8
9	N/A	CABINET (NOT SERVICED)
10	487909	SCREW, 8-15 X 1/2
11	8181909	PAD (4)