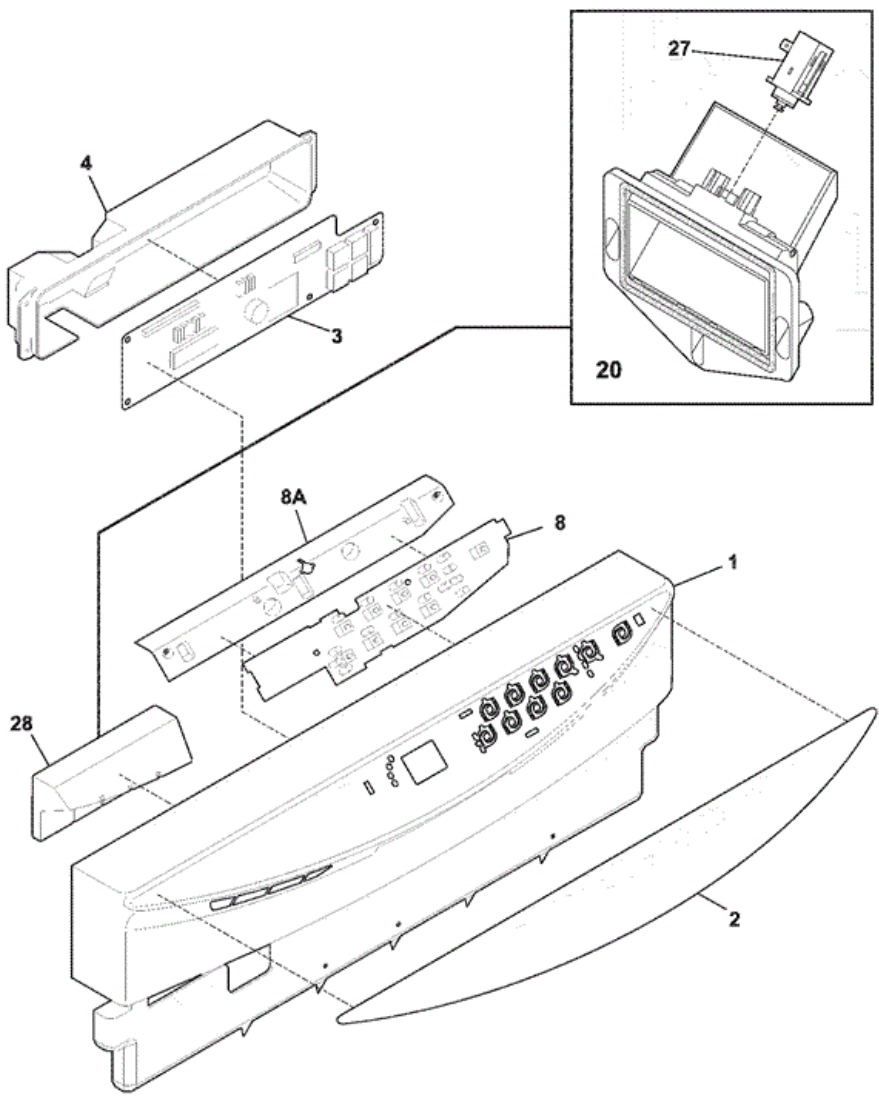


GLD2250RDC4 CONTROL PANEL

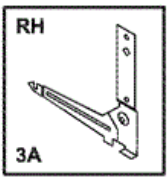
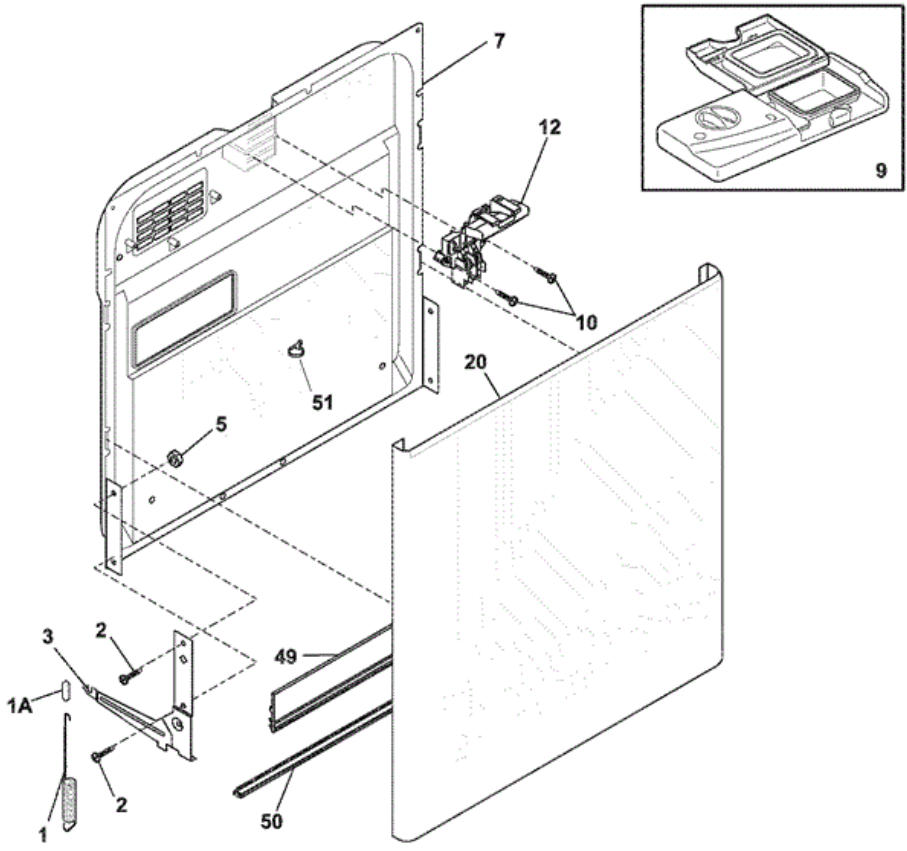




GLD2250RDC4 CONTROL PANEL

1	154486003	PANEL,CONTROL ,BLACK
2	154524303	INSERT,CONTROL PANEL ,BLACK
3	154555001	BOARD,CONTROL
4	154554601	COVER,CONTROL
20	154423601	VENT ASSY,ACTIVE DRY ,W/ACTUATOR
27	154433501	ACTUATOR,ACTIVE DRY VENT
28	154474401	ADAPTER,VENT
8A	154486201	SHIELD,TACTILE SWITCH
F8	154474701	SWITCH,SELECTOR ,9 PAD
NI	154200401	SCREW, 6-10 X 3/8, PAN PLASK
NI	154227501	THERMISTOR
NI	154436201	SCREW,DRY DUCT ,(3)
NI	154478901	GASKET,COVER
NI	154540024	ENERGY GUIDE LABEL
NI	154547001	WIRING HARNESS
NI	5303318719	SCREW,MTG.

GLD2250RDC4 DOOR

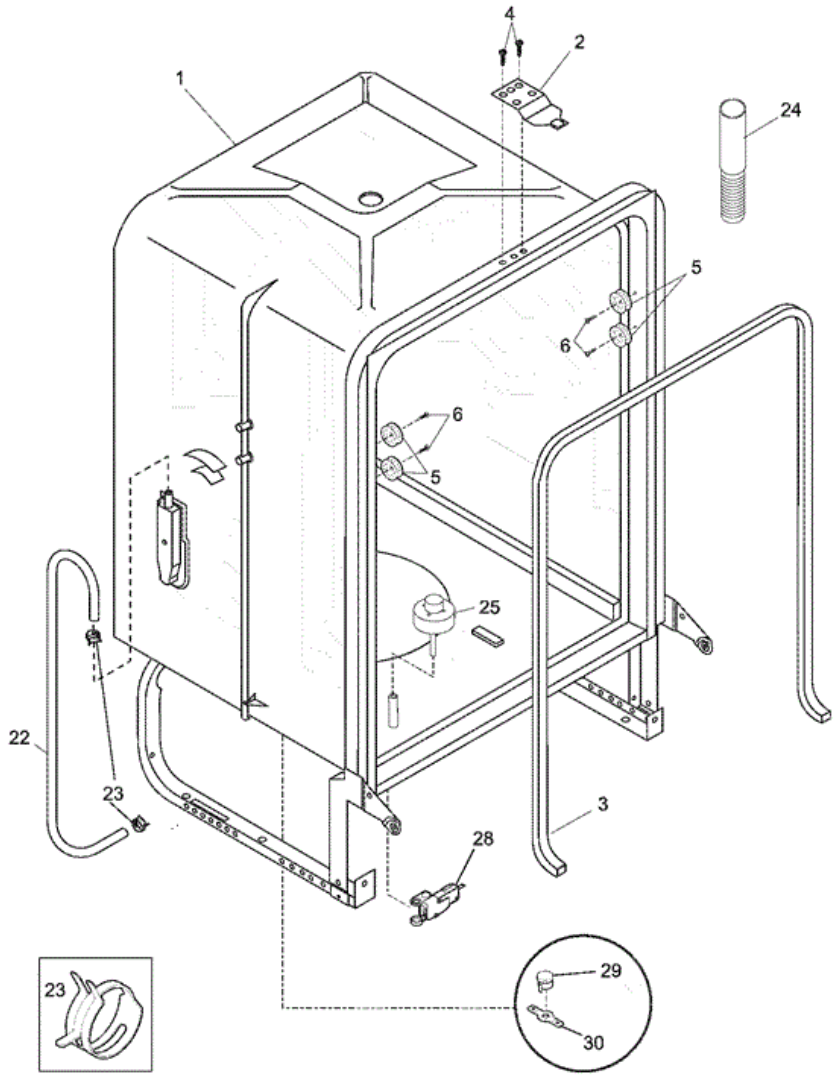




GLD2250RDC4 DOOR

1	154430501	SPRING,DOOR ,(2)
1A	154325201	LINKAGE,DOOR SPRING ,(2)
2	154093301	SCREW,ARM ASSY ,(4)
3	154558103	ARM ASSY,LH
5	154079601	NUT,ARM ASSY ,AND HANDLE MTG.
7	154494601	LINER,DOOR ASSY.
9	154542103	DISPENSER,DET/RINSE AID ,W/O REED
10	154103702	SCREW-LATCH MTG, (2)
12	154529403	LATCH ASSY,BLACK
20	154533401	DOOR,STAINLESS
3A	154558503	ARM ASSY,RH
49	154576501	GASKET,DOOR ,BOTTOM
50	154211401	SUPPORT-DOOR HINGE
51	154320301	CLAMP,DRIP LOOP ,WIRE
NI	154200601	SCREW,NO.10-16 X 3/8
NI	154253201	INSULATION,DOOR
NI	154294701	SCREW,NO.7 PLAS .375 ,(6) ,DISP. ASSY.
NI	154529101	PIN,ARM ASSY
NI	5304428306	SCREW,DOOR MTG. ,(2)

GLD2250RDC4 TUB

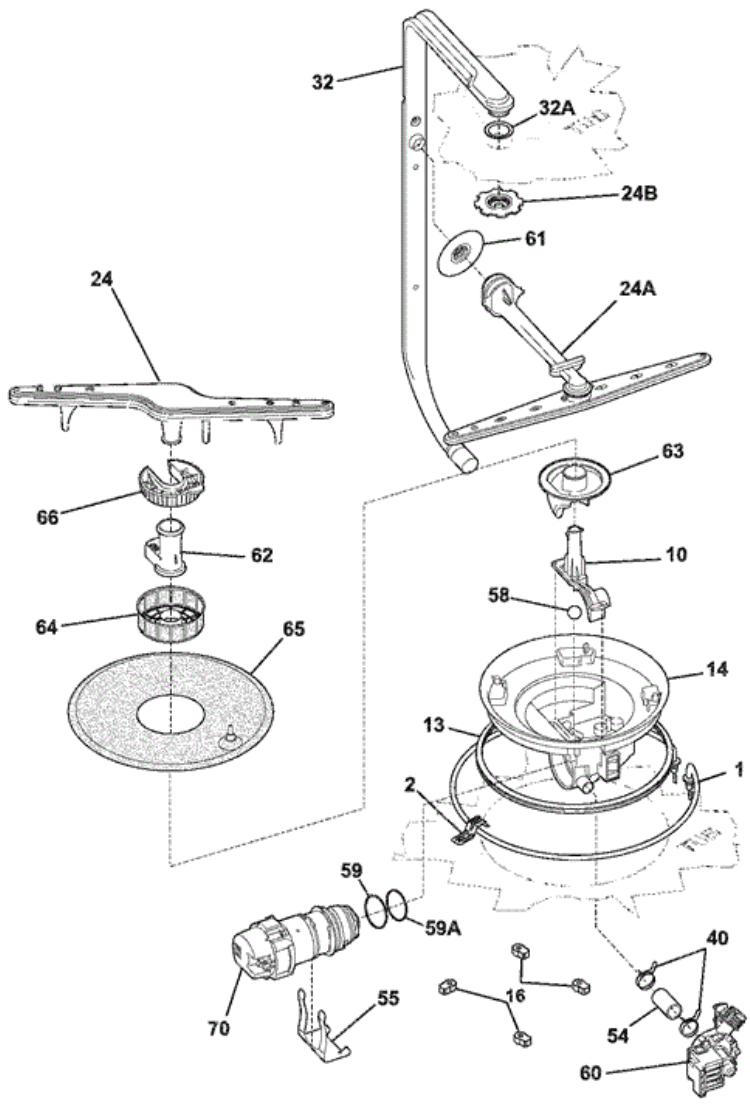




GLD2250RDC4 TUB

2	154429101	STRIKE,DOOR
4	154200602	SCREW,10-16 X 3/8 ,HEX
5	154333902	ROLLER,TUB
6	5303943103	SCREW W/WASHER,(8)
22	154446002	TUBING,WATER INLET
23	5303318539	CLAMP-TUBING,(2)
28	154408701	SWITCH ASSY,FLOAT
30	154241101	RETAINER,THERMOSTAT
F1	154534701	TUB ASSY,W/FRAME PARTS
F24	154525301	HOSE,DRAIN
F25	154209701	FLOAT
F29	154290204	THERMOSTAT,RE-SETTABLE
F3	154561001	GASKET,TUB
NI	154041001	SCREW,PLASK NO.1 ,10-10 X 9/16
NI	154297701	SCREW,RETAINER-THERMO
NI	154447102	INSULATION,BLANKET
NI	5300807270	SCREW,(2) ,COUNTERTOP MTG.

GLD2250RDC4 MOTOR & PUMP

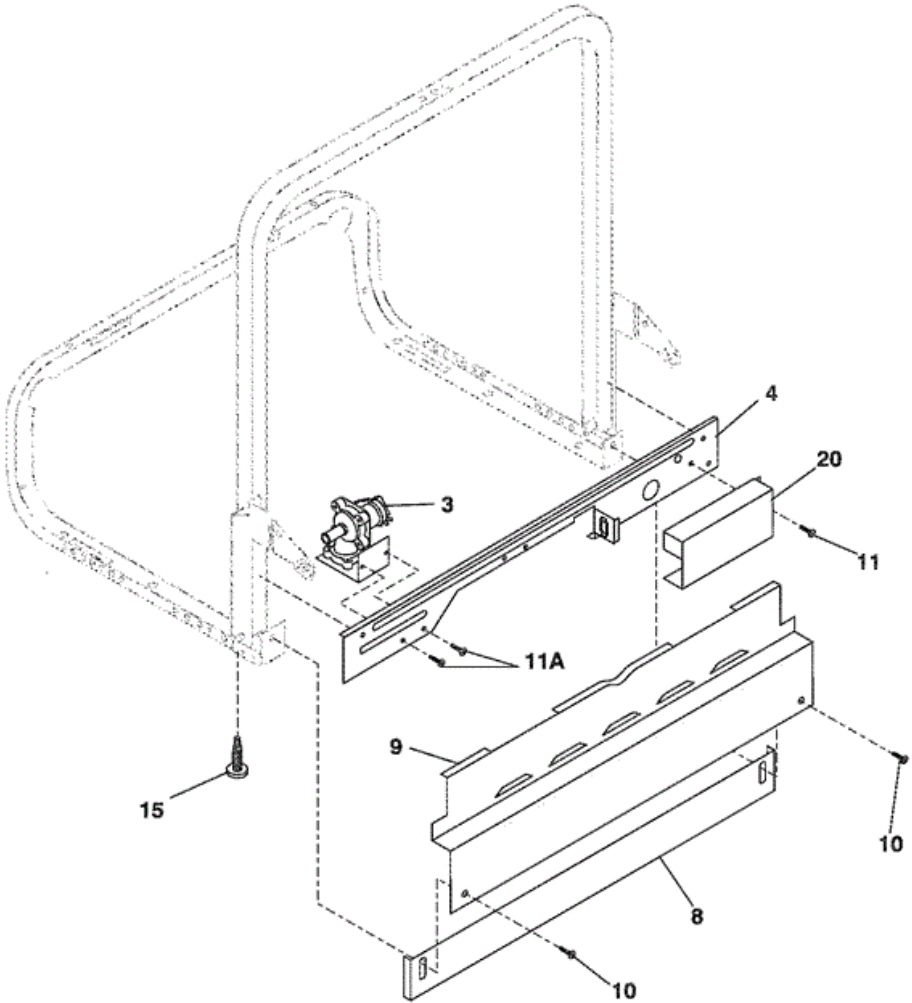




GLD2250RDC4 MOTOR & PUMP

2	154465101	BRACKET,HEATER ,(2)
10	154245501	COVER-VOLUTE
13	154246801	GASKET-SUMP
14	154461901	HOUSING,SUMP
16	154246502	RETAINER, SUMP
24	154568002	SPRAY ARM,GREY ,LOWER ,W/HEAT SHIELD
24A	154468502	SPRAY ARM,GREY ,CENTER
24B	154520601	NOZZLE,SHOWER ,ASSEMBLY
32	154464101	TUBE,DELIVERY
32A	154406401	GASKET,DELIVERY TUBE
40	154106801	CLAMP,HOSE ,WORM/DRAIN
54	154234401	HOSE,CONNECTOR
55	154362301	BRACKET-MOTOR
58	154246402	CHECK BALL
59	154246901	O-RING,REAR
59A	154247001	O-RING,FRONT
60	154491301	PUMP,DRAIN
61	154463402	GROMMET,DELIVERY TUBE
62	154294102	SUPPORT,SPRAY ARM ,GREY ,LOWER
63	154252201	BASE,SOIL DIRECTOR
64	154252302	FILTER,SOIL DIRECTOR ,GREY
65	154283005	FILTER ASSY,GREY
66	154252702	TRAP,GLASS ,GREY
70	154574701	MOTOR & PUMP ASSY
F1	154482901	HEATER,ROUND
NI	154106201	NUT,HEATER ,(2)
NI	154200601	SCREW,NO.10-16 X 3/8
NI	154289801	SHIELD-HEATER TERMINAL
NI	154380601	CLAMP,HOSE ,WORM/GEAR
NI	154491101	SCREW,DELIVERY TUBE
NI	5303316032	SCREW,TRUSS SS ,8 .625
NI	5303318719	SCREW,MTG.

GLD2250RDC4 FRAME

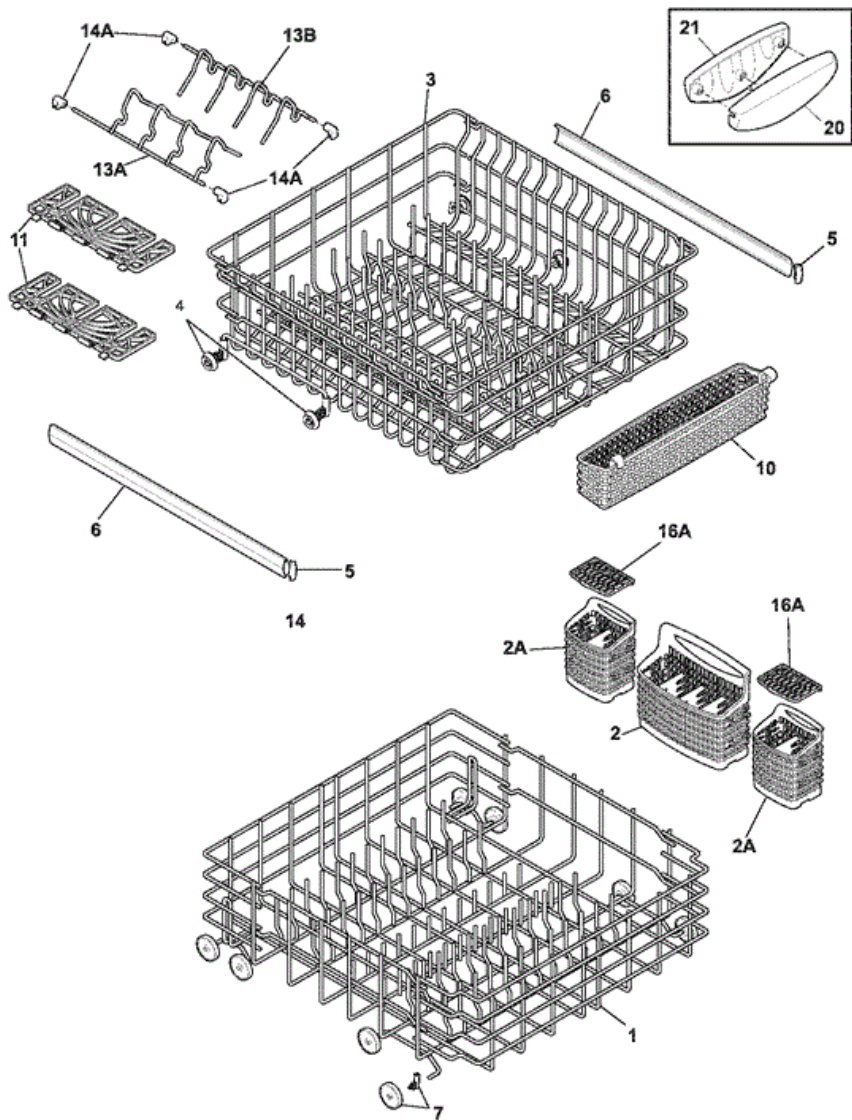




GLD2250RDC4 FRAME

11A	154200601	SCREW,NO.10-16 X 3/8
4	154208701	BRACE,FRONT FRAME
8	154589403	TOEPLATE,ADJUSTABLE ,BLACK
9	154589503	KICKPLATE ASSY,BLACK
10	5300808658	SCREW,NO.8A X .375` ,BLACK
11	154200701	SCREW-NO.10-32 X 3/8
15	154571101	LEG,LEVELING ,(4)
20	154209601	COVER-JUNCTION BOX
F3	154476101	VALVE,WATER
NI	154041001	SCREW,PLASK NO.1 ,10-10 X 9/16
NI	154200602	SCREW,10-16 X 3/8 ,HEX
NI	154409401	SCREW,NO.8-18 X .375

GLD2250RDC4 RACKS





GLD2250RDC4 RACKS

1	154524504	RACK ASSY,LOWER
2	154424002	BASKET,SILVERWARE ,GREY ,MAIN
3	154319526	RACK ASSY,UPPER
4	154522902	WHEEL & BUSHING ASSY,GREY ,UPPER RACK ,(8)
5	5304440996	CAP,SLIDE ,GREY ,(4)
6	154232701	SLIDE,RACK ,(2)
7	154174503	WHEEL & BRACKET ASSY,GREY ,LOWER RACK ,(8)
10	154466902	BASKET,UTILITY ,GREY
11	154436104	SHELF,CUP ,HALF WIDTH ,GREY
13A	154480403	FENCE,MULTI,4 WIRE ,LH ,UPPER RACK
13B	154480503	FENCE,MULTI,4 WIRE ,RH ,UPPER RACK
14A	154242002	BRACKET,MULTI FENCE ,WHITE ,UPPER RACK ,(4)
16A	154424303	COVER,SIDE BASKET ,GREY ,(2) ,SILVERWARE
20	154530802	HANDLE,PULL ,FRONT ,UPPER RACK
21	154530902	HANDLE,PULL ,GREY ,REAR ,UPPER RACK
2A	154424102	BASKET,SILVERWARE ,GREY ,(2) ,SIDE
F14A	154242102	BUSHING,MULTI FENCE ,UPPER RACK ,(4)