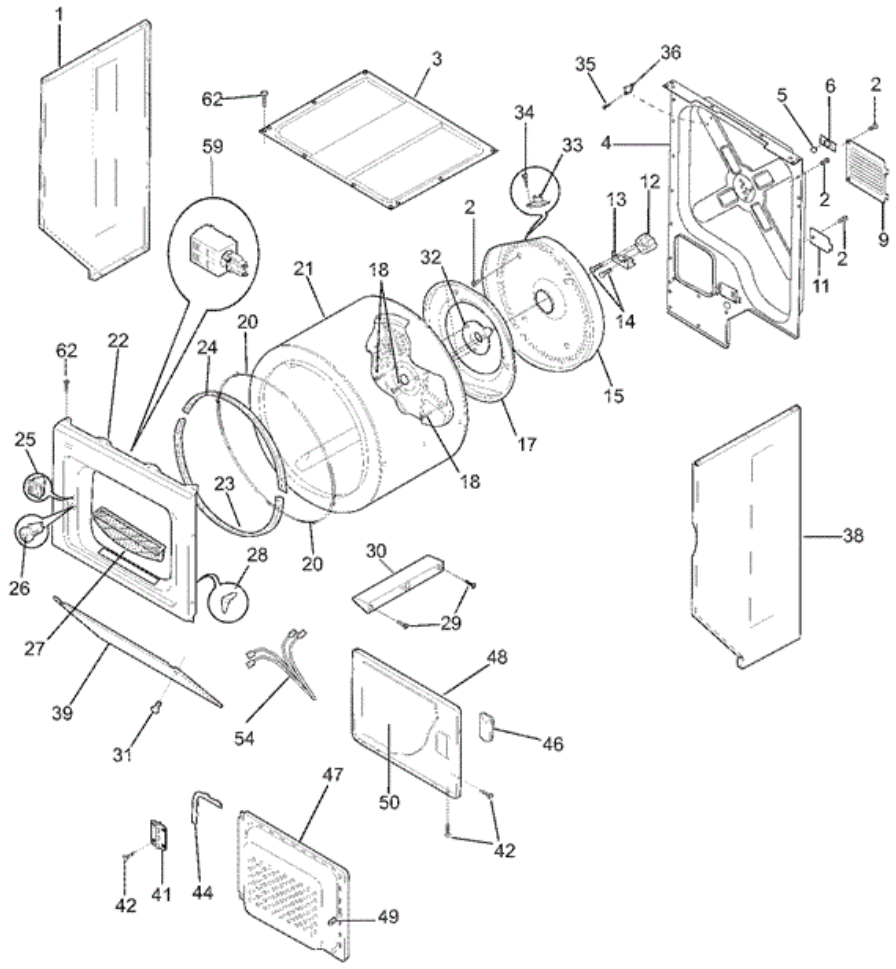


GLEH1642FS0 TAMBOR



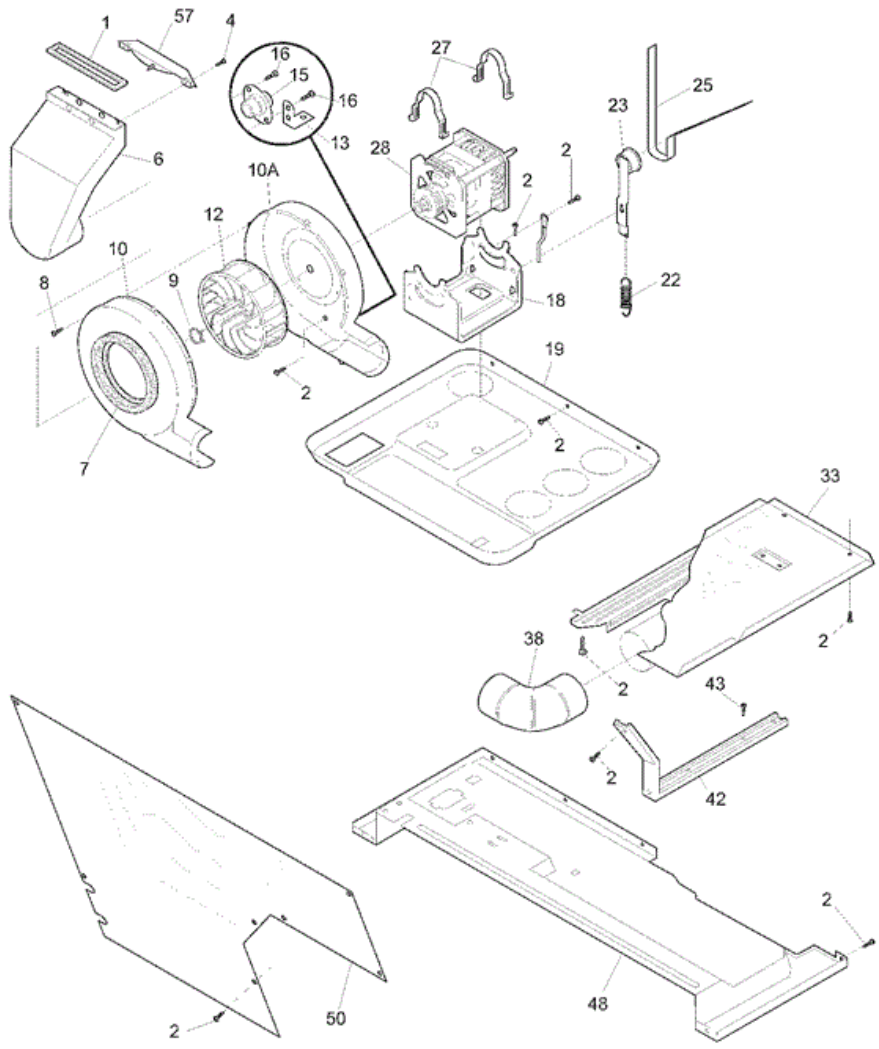


GLEH1642FS0 TAMBOR

| | | |
|----|------------|---|
| 1 | 131084710 | PANEL,WHITE ,LEFT SIDE |
| 2 | 131168200 | SCREW,PAN HEAD ,8-18B X 0.31 |
| 3 | 131883301 | PANEL,TOP |
| 4 | 134799902 | PANEL,REAR ,STEEL ,GALVANIZED |
| 5 | 5303281019 | BALL,GROUNDING |
| 6 | 5303281020 | CLIP,BALL ,STEEL ,FLAT NUT |
| 9 | 3204249 | PANEL,MOTOR ACCESS ,REAR |
| 11 | 3204250 | COVER-TERMINAL BLOCK |
| 12 | 131825900 | BEARING-DRUM SUPPORT |
| 13 | 131724300 | BRACKET,BEARING SUPPORT |
| 14 | 131205400 | SCREW,BRACKET MTG. ,10-16B X 1.375 ,CR/SQ DRIVE |
| 17 | 3204254 | BAFFLE,HEATER SHIELD |
| 18 | 131477000 | SCREW,10-16AB X 0.375 |
| 20 | 131963900 | GLIDE-DRUM |
| 21 | 134122552 | DRUM,DRYER ,STAINLESS STEEL ,SERVICE KIT |
| 22 | 131636280 | PANEL,FRONT ,WHITE ,W/LAMP HOLE |
| 23 | 134134700 | SEAL,FELT ,LOWER |
| 24 | 134036400 | SEAL,FELT ,UPPER |
| 25 | 131658800 | DOOR CATCH |
| 27 | 131359600 | LINT TRAP |
| 28 | 134440000 | CLIP,GUIDE |
| 29 | 131382300 | SCREW,QUADREX HEAD ,10-14 X 1.00 , |
| 30 | 5304405283 | VANE-STRAIGHT-GRAY |
| 31 | 131202300 | SCREW,10-16AB X 0.625 |
| 32 | 131777700 | SHAFT,DRUM SUPPORT ,BALLHITCH |
| 34 | 131243800 | SCREW,PAN HD LOCKING ,8-32CA X 0.375 ,CUP POINT |
| 35 | 131892100 | SCREW,6-20B X 0.230 |
| 38 | 131084810 | PANEL,WHITE ,RIGHT SIDE |
| 39 | 131084402 | PANEL,ACCESS ,WHITE ,FRONT |
| 41 | 134222900 | HINGE,DRYER DOOR |
| 42 | 134156200 | SCREW,FLAT HEAD ,8-18AB X 0.44 ,QUAD DRIVE |
| 44 | 131129900 | GASKET,DOOR SEAL |
| 46 | 131789400 | HANDLE-DOOR, WHITE |

| | | |
|-----|------------|--|
| 47 | 134406203 | PANEL,INNER DOOR ,WHITE |
| 48 | 131789303 | PANEL,OUTER DOOR ,WHITE |
| 49 | 5303211430 | DOOR STRIKE |
| 50 | 134535300 | INSULATOR,HEAT SHIELD ,OUTER DOOR |
| 62 | 131258400 | SCREW,10-16AB X 0.500 |
| F15 | 131475300 | HEATER ASSY,W/HOUSING |
| F26 | 131843101 | SWITCH,DOOR ,WITH DRUM LIGHT |
| F33 | 3204267 | THERMOSTAT-SAFETY |
| F36 | 134120900 | THERMAL LIMITER |
| F54 | 134403200 | WIRING HARNESS,DOOR SWITCH ,WITH LIGHT |
| F59 | 131843500 | LAMP ASSY,DRUM LIGHT ,W/MTG BRACKET |

GLEH1642FS0 TURBINA

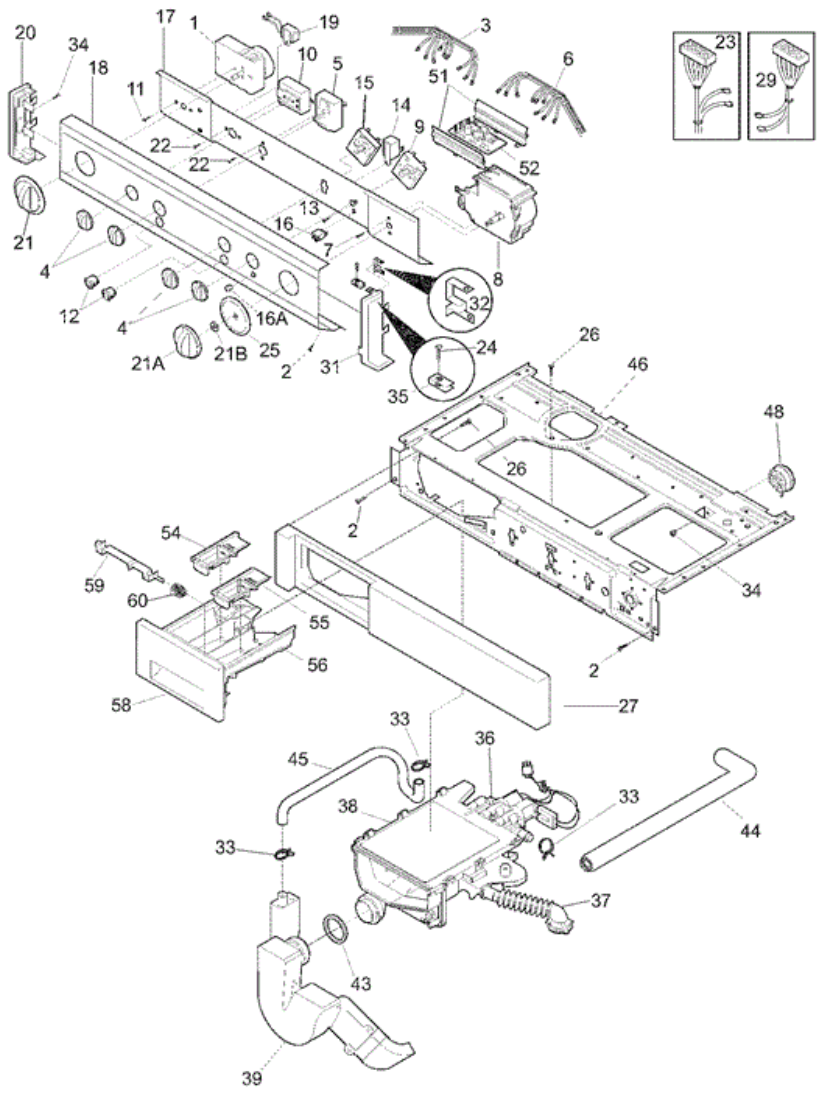




GLEH1642FS0 TURBINA

| | | |
|-----|------------|--|
| 1 | 131295200 | SEAL-AIR DUCT |
| 2 | 131168200 | SCREW,PAN HEAD ,8-18B X 0.31 |
| 4 | 131477000 | SCREW,10-16AB X 0.375 |
| 6 | 134086300 | DUCT,AIR |
| 7 | 3204490 | SEAL-HOUSING TO AIR DUCT |
| 8 | 3205245 | SCREW,PAN HEAD ,6-18AB X 0.60 |
| 9 | 5303304824 | CLAMP |
| 10 | 134611700 | HOUSING,BLOWER ,FRONT ,WITH SEAL |
| 10A | 134608200 | HOUSING,BLOWER ,REAR |
| 12 | 131476300 | BLOWER WHEEL |
| 13 | 134608400 | GROUND STRAP,THERMOSTAT |
| 16 | 131243700 | SCREW, PAN HEAD, 8-18AB X 0.375 |
| 18 | 131413600 | CRADLE,MOTOR MOUNT ,WITH IDLER STUD |
| 19 | 134613501 | PANEL,MOTOR CRADLE MT ,UPPER |
| 22 | 3205241 | SPRING-IDLER |
| 23 | 131863100 | IDLER ARM ASSY,WITH PULLEY |
| 27 | 134242400 | CLAMP,MOTOR MTG. |
| 33 | 131731400 | SHIELD,ACCESS AREA ,COVER |
| 38 | 3204320 | ELBOW ,EXHAUST DUCT |
| 39 | 131205100 | SCREW,NO.8 PAN HEAD ,10-10B X 0.500 ,CR/SQ DRIVE |
| 42 | 134154100 | SCREW,HEX WASHER HEAD ,10-32 X 0.375 ,GROUND |
| 42 | 5304439185 | BRACKET,MARRIAGE ,INTERIOR |
| 43 | 134305100 | SCREW,HEX WASHER HEAD ,1/4-20 X 1.000 ,SPECIAL |
| 48 | 131731310 | PANEL,DRYER ,BOTTOM REAR |
| 50 | 3204329 | COVER,SAFETY ,LOWER FRONT |
| 57 | 131729300 | COVER,MOISTURE SENSOR |
| F15 | 134048800 | THERMOSTAT,CONTROL |
| F25 | 134503900 | BELT,DRYER DRIVE |
| F28 | 134196600 | MOTOR,DRYER DRIVE ,WITH PULLEY |

GLEH1642FS0 TABLERO





GLEH1642FS0 TABLERO

| | | |
|-----|------------|---|
| 2 | 131168200 | SCREW,PAN HEAD ,8-18B X 0.31 |
| 4 | 131873401 | KNOB,ROTARY ,WHITE |
| 7 | 131243800 | SCREW,PAN HD LOCKING ,8-32CA X 0.375 ,CUP POINT |
| 11 | 5303283289 | SCREW,CR PAN HEAD `8-32 X 0.250 , |
| 13 | 131311700 | SCREW,PAN HEAD QUAD ,8-32 X 0.15 |
| 16A | 131724800 | LENS,STATUS LIGHT ,CLEAR |
| 17 | 134263400 | BRACKET,CONTROL MOUNT |
| 18 | 134321500 | PANEL,TRIMPLATE ,CONSOLE FRONT |
| 20 | 131288101 | END CAP,WHITE ,LH |
| 21 | 131873301 | KNOB,DRYER TIMER ,WHITE |
| 21A | 131167601 | KNOB-WASHER TIMER, WHITE |
| 21B | 5308015493 | SPACER,WASHER ,TIMER SHAFT |
| 22 | 3161259 | SCREW,SWITCH MTG ,6-32 X 0 .19 ,(2) ,SEMS |
| 24 | 134156200 | SCREW,FLAT HEAD ,8-18AB X 0.44 ,QUAD DRIVE |
| 25 | 131167701 | INDICATOR,TIMER POINTER ,WHITE/BLUE ,WASHER |
| 26 | 131823400 | SCREW,8-18 X 2.00 |
| 27 | 131870600 | PANEL,DISP DRAWER MT. |
| 31 | 131288211 | END CAP, WHITE, RH |
| 32 | 3204357 | CLIP-GROUNDING |
| 33 | 131306216 | CLAMP |
| 34 | 131243700 | SCREW, PAN HEAD, 8-18AB X 0.375 |
| 35 | 5308014350 | CLIP,END CAP MTG ,U-TYPE |
| 37 | 131271600 | HOSE-TUB |
| 39 | 131863300 | SIPHON |
| 43 | 131749200 | GASKET-SEAL |
| 44 | 131786000 | HOSE-DISPENSER |
| 45 | 131786100 | HOSE,SIPHON/VALVE |
| 46 | 134191412 | PANEL,CONTROL MTG. ,WING BEND |
| 51 | 134426400 | BRACKET,PC BOARD MOUNT ,(2) |
| 54 | 131272100 | COVER-BLEACH |
| 55 | 131272000 | COVER-SOFTENER |
| 56 | 131271910 | DRAWER,DISPENSER |
| 58 | 131729500 | HANDLE,DISPENSER ,WITH TRIM |

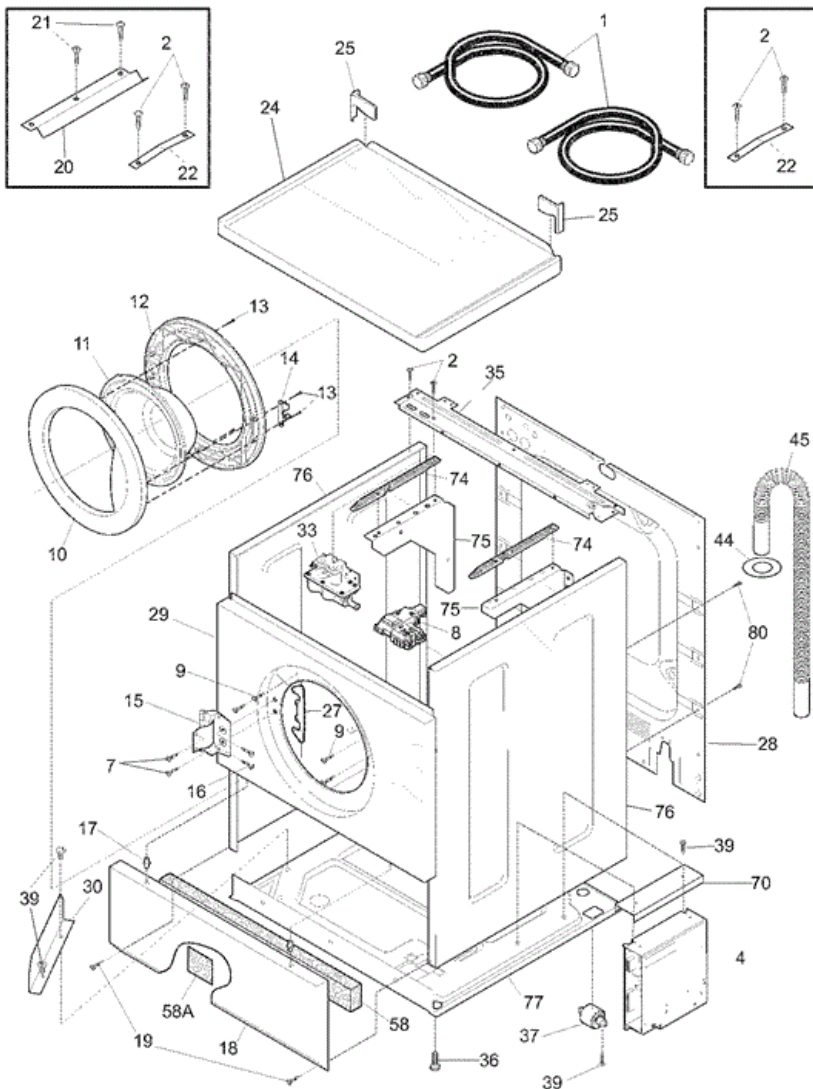
| | | |
|-----|------------|---|
| 59 | 131714900 | LATCH,DRAWER HANDLE ,WHITE |
| 60 | 131427500 | SPRING |
| F1 | 131960800 | TIMER,DRYER ,4 OFF |
| F10 | 134399700 | SWITCH,START ,LCD |
| F12 | 134040800 | SWITCH,ON/OFF ,WHITE ,ROUND |
| F14 | 131724500 | BUZZER |
| F15 | 134437700 | SWITCH,WATER TEMP ,4 POSITION |
| F16 | 131724700 | LAMP,STATUS LIGHT |
| F19 | 5303286537 | BUZZER |
| F23 | 134605400 | WIRING HARNESS,MAIN |
| F29 | 134571400 | WIRING HARNESS,MAIN ,WASHER |
| F3 | 134136700 | WIRING HARNESS,DRYER CONTROL |
| F36 | 131974700 | VALVE,DISPENSER ,W/SEAL |
| F38 | 131803710 | DISPENSER ASSY |
| F48 | 134818201 | SWITCH,PRESSURE ,SINGLE LEVEL |
| F5 | 134399900 | SWITCH,DRYER TEMP ,LCD |
| F52 | 134216300 | CONTROL BOARD,MOISTURE SENSOR |
| F6 | 134392000 | WIRING HARNESS,WASHER CONTROL |
| F8 | 134803600 | TIMER,WASHER |
| F9 | 134400000 | SWITCH,ROTARY ,2 POSITION |
| NI | 131307900 | CLAMP,SIPHON/BELLOWS |
| NI | 131931201 | DAMPENER,VIBRATION ,3.5 X 2 X 2 IN. ,FOAM |
| NI | 5303161300 | STRAP,PLASTIC |

Distribuidor Autorizado

SurteRápido.com

Venta de Refacciones
Electrodomesticas

GLEH1642FS0 GABINETE



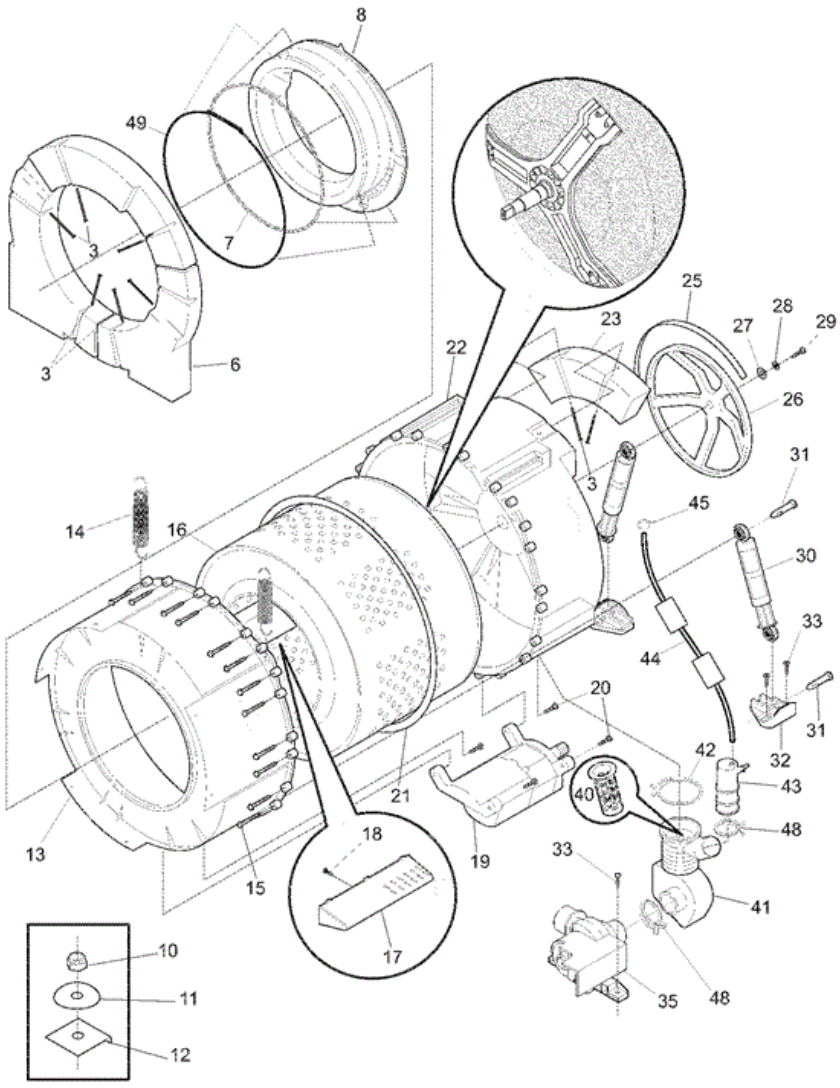


GLEH1642FS0 GABINETE

| | | |
|-----|------------|--|
| 1 | 5303271009 | HOSE,INLET ,48 INCH LONG |
| 2 | 131168200 | SCREW,PAN HEAD ,8-18B X 0.31 |
| 7 | 131205300 | SCREW,10-16 X 0.750 |
| 9 | 131303300 | SCREW,PAN HEAD ,10-16AB X 0.500 ,LOCKING |
| 10 | 134224600 | FRAME,OUTER DOOR |
| 11 | 131278800 | PANEL,DOOR GLASS |
| 12 | 134195900 | FRAME,INNER DOOR |
| 13 | 134227100 | SCREW,FLAT HEAD ,10-16 X 0.600 ,QUADREX |
| 14 | 131763310 | STRIKER,DOOR/LOCK/SW |
| 15 | 134202200 | HINGE,DOOR |
| 16 | 131696300 | SCREW,QUAD PAN HEAD ,10-16 X 0.312 |
| 17 | 131346400 | PIN,PANEL LOCATOR |
| 18 | 131279300 | PANEL,SERVICE ,WHITE ,FRONT |
| 19 | 131358400 | SCREW,HEX WASHER HD ,8-18AB X 1.125 |
| 20 | 131460900 | BRACKET,TOP PANEL MTG. ,FRONT |
| 21 | 131243700 | SCREW, PAN HEAD, 8-18AB X 0.375 |
| 22 | 131279500 | RETAINER,SPRING STEEL |
| 24 | 134086862 | PANEL,WHITE ,TOP |
| 25 | 134381900 | TRIM,FILLER ,WHITE ,LS-TOP PANEL |
| 25 | 134381910 | TRIM,FILLER ,WHITE ,RS-TOP PANEL |
| 26 | 131311900 | SCREW,QUADREX PH ,8-18AB X 0.500 |
| 27 | 134193300 | BRACKET,HINGE SUPPORT |
| 28 | 131978500 | PANEL-BACK |
| 29 | 131752040 | PANEL,CABINET FRONT ,WHITE |
| 30 | 131859600 | SHIELD-OVERFLOW |
| 35 | 131732903 | BRACKET,REINFORCEMENT ,TOP REAR |
| 36 | 131841600 | LEVELING LEG ASSY,BOLT,PAD & NUT |
| 37 | 131304200 | ROLLER ASSY |
| 39 | 134178901 | SCREW,8-18AB X 0.455 |
| 44 | 131707800 | RING-DRAIN HOSE |
| 58 | 131800410 | INSULATION,NOISE ABSORBER |
| 58A | 131744202 | DAMPER,VIBRATION |
| 70 | 134048600 | SHIELD,DRIP PROTECTOR |

| | | |
|-----|------------|--|
| 74 | 134301300 | SPACER,DRYER MTG ,RS |
| 74 | 134301310 | SPACER,DRYER MTG ,LS |
| 75 | 134301400 | BRACE,SIDE ,(2) |
| 76 | 134390701 | PANEL,SIDE ,WHITE ,RS/LS ,(2) |
| 77 | 131458220 | BASE PLATE |
| 80 | 134547800 | SCREW,10-16AB X 0.375 |
| F33 | 134812800 | VALVE,WATER ,115 V |
| F4 | 134733600 | CONTROLLER ASSY,SPEED ,W/BASE & SHIELD |
| F45 | 134592700 | HOSE,DRAIN |
| F8 | 131763245 | DOOR LOCK/SWITCH ASSY |
| NI | 5303161296 | WASHER-INLET HOSE |

GLEH1642FS0 TINA





GLEH1642FS0 TINA

| | | |
|----|-----------|--|
| 3 | 131793302 | BOLT,CARRIAGE ,1/4-20 X 4.00 |
| 6 | 131975300 | COUNTERWEIGHT,ONE PIECE |
| 7 | 131277300 | SPRING,BOOT RETAINER |
| 8 | 134177600 | BELLOWS,DOOR BOOT |
| 10 | 131304700 | NUT,HEX ,1/4-20 UNC-2B ,(2) |
| 11 | 131276900 | WASHER,BELLVILLE ,SPRING STEEL |
| 12 | 131793500 | PLATE,COUNTERWEIGHT |
| 13 | 131618600 | SHELL,OUTER TUB ,FRONT |
| 14 | 134144700 | SPRING ASSY,SUSPENSION ,W/SLEEVES |
| 15 | 131303900 | SCREW,HEX WASHER HEAD ,1/4-10A X 2.165 |
| 16 | 131618500 | DRUM ASSY,SPIN BASKET |
| 17 | 131274600 | VANE |
| 18 | 131302800 | SCREW,10-16AB X 0.375 |
| 20 | 131303500 | SCREW,12-14AB X 1.50 ,MOTOR MTG. |
| 21 | 134146100 | O-RING-TUB |
| 22 | 131462800 | SHELL,OUTER TUB ,REAR ,WITH BEARING |
| 23 | 134125900 | COUNTERWEIGHT,DRUM REAR |
| 25 | 134051000 | BELT,DRIVE ,6-RIB |
| 26 | 131883400 | PULLEY,DRUM DRIVE ,LARGE ,REAR |
| 27 | 131304400 | WASHER,0.41 X 1.50 ,0.12 THICK |
| 28 | 131304500 | WASHER-LOCK,3/8 |
| 29 | 131303700 | SCREW,PULLEY MTG. ,M10 X 0.92 ,METRIC |
| 30 | 131268200 | SHOCK ABSORBER,AIR ,STABILIZER |
| 31 | 131268300 | PIN,SHOCK MTG. |
| 32 | 131268100 | BRACKET,SHOCK MTG. |
| 33 | 134532200 | SCREW,10-16AB X 0.500 |
| 35 | 134051100 | PUMP,DRAIN |
| 40 | 134565200 | FILTER,PUMP |
| 41 | 134044200 | HOSE-COIN TRAP-TUB TO PUMP |
| 42 | 134737300 | CLAMP,HOSE |
| 43 | 131277500 | CHAMBER-AIR |
| 44 | 131789900 | TUBE ASSY,AIR PRESSURE ,W/AIR CHAMBER |
| 45 | 131306202 | CLAMP,HOSE |

| | | |
|-----|-----------|---|
| 48 | 131306234 | CLAMP,HOSE ,WIRE |
| 49 | 134266500 | CLAMP,BELLOWS/BOOT ,0.059 OD WIRE ,SPRING |
| F19 | 131770600 | MOTOR |
| NI | 131560000 | SLEEVE,PROTECTOR ,LWR SPRING HOOK |
| NI | 131592200 | SLEEVE,PROTECTOR ,UPR SPRING HOOK |
| NI | 134815100 | ENERGY GUIDE |