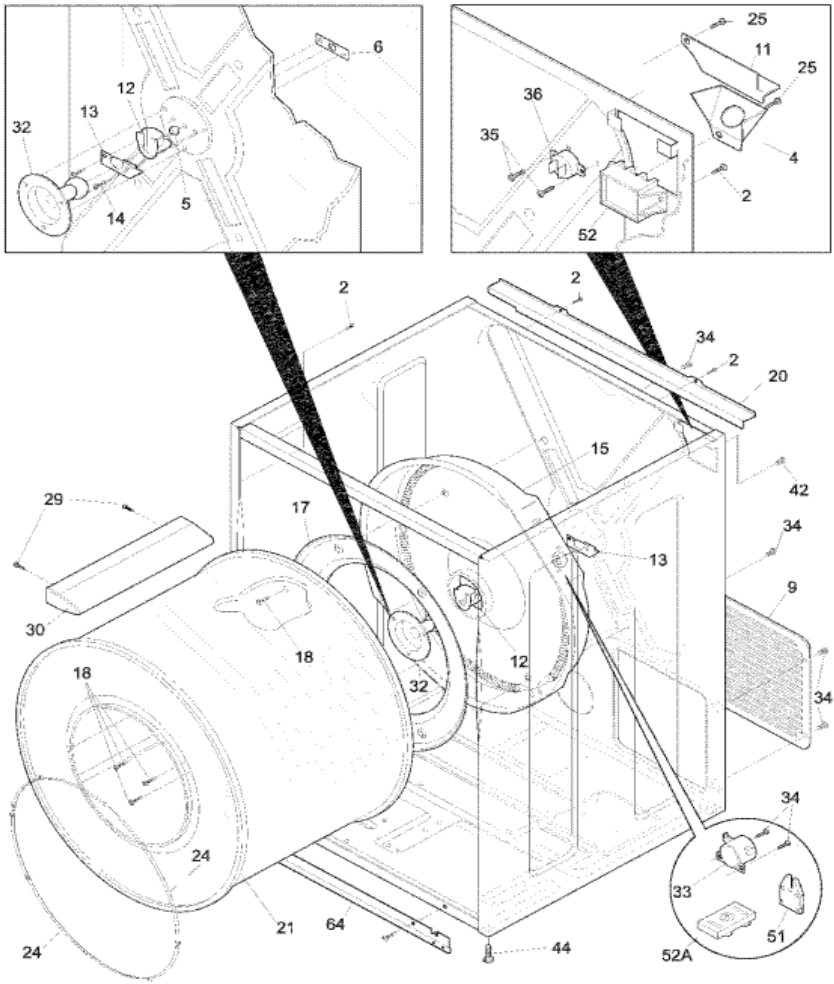


GLEQ2152EE0 GABINETE

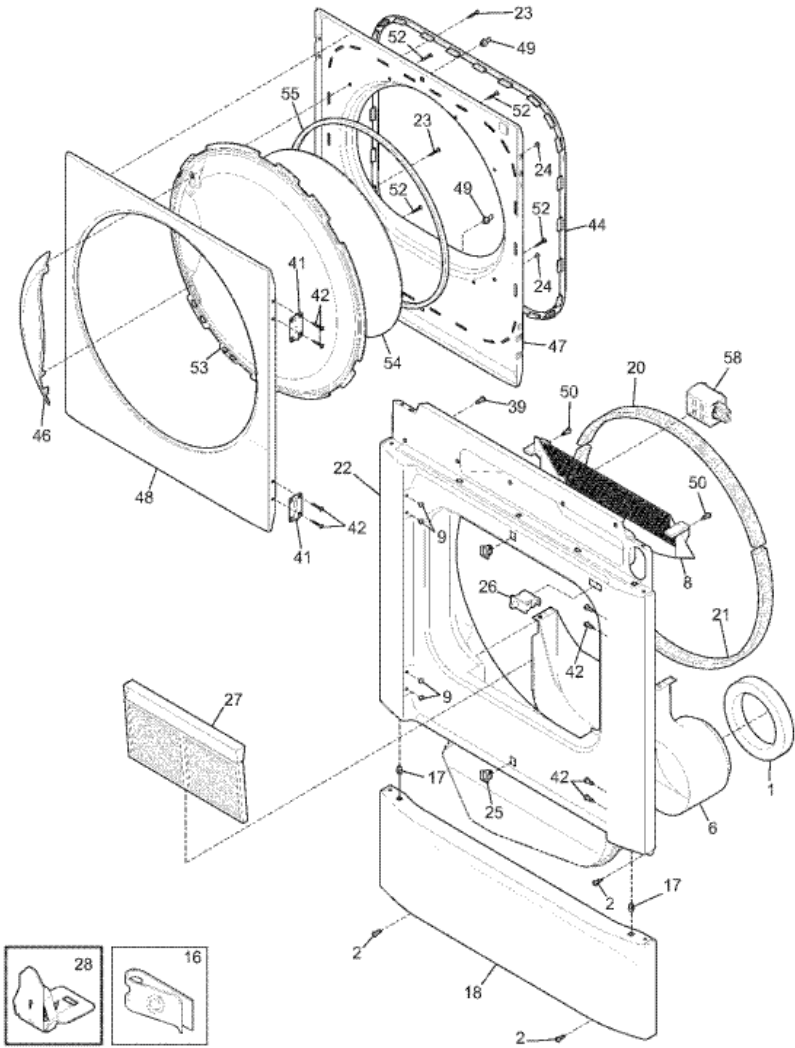




GLEQ2152EE0 GABINETE

| | | |
|------|------------|--|
| 2 | 131168200 | SCREW,PAN HEAD ,8-18B X 0.31 (S/P) |
| 4 | 131785200 | BRACKET,ELEC POWER CORD ,KNOCK OUT (S/P) |
| 5 | 5303281019 | BALL,GROUNDING (S/P) |
| 6 | 5303281020 | CLIP,BALL ,STEEL ,FLAT NUT (S/P) |
| 9 | 131793200 | PANEL,SERVICE ACCESS ,REAR (S/P) |
| 11 | 5303211428 | COVER,TERMINAL BLOCK (S/P) |
| 12 | 131825900 | BEARING,DRUM SUPPORT |
| 13 | 131724300 | BRACKET,BEARING SUPPORT (S/P) |
| 14 | 131205400 | SCREW,BRACKET MTG. ,10-16B X 1.375 (S/P) |
| 17 | 3204254 | BAFFLE,HEATER SHIELD (S/P) |
| 18 | 131477000 | SCREW,10-16AB X 0.375 (S/P) |
| 20 | 134166500 | BRACKET,TOP PANEL MTG. ,REAR (S/P) |
| 21 | 134122592 | DRUM,DRYER ,STNLS STL BACK KIT (S/P) |
| 24 | 131963900 | GLIDE,DRUM |
| 25 | 5303015671 | SCREW,HEX WASHER HEAD ,8-18 X 0 .375 (S/P) |
| 29 | 131382300 | SCREW,QUADREX HEAD ,10-14 X 1.00 (S/P) |
| 30 | 5303201200 | VANE,STRAIGHT |
| 32 | 5303281153 | SHAFT,DRUM SUPPORT ,BALLHITCH |
| 34 | 131243700 | SCREW,PAN HEAD ,8-18AB X 0.375 (S/P) |
| 35 | 131892100 | SCREW,6-20B X 0.230 (S/P) |
| 42 | 134154100 | SCREW,HEX WASHER HEAD ,10-32 X 0.375 (S/P) |
| 44 | 134344900 | LEVELING LEG,SCREW (S/P) |
| 51 | 131472100 | INSULATOR,HEATER HOUSING (S/P) |
| 64 | 134360100 | BRACKET,SVCE PANEL MTG. (S/P) |
| F15 | 131553900 | HEATER ASSY,W/HOUSING/FELT |
| F33 | 3204267 | THERMOSTAT,SAFETY |
| F52A | 3202786 | TERMINAL BLOCK,HEATER HOUSING (S/P) |
| F52 | 134101400 | TERMINAL BLOCK,MAIN (S/P) |
| F36 | 134120900 | THERMAL LIMITER (S/P) |

GLEQ2152EE0 PUERTA

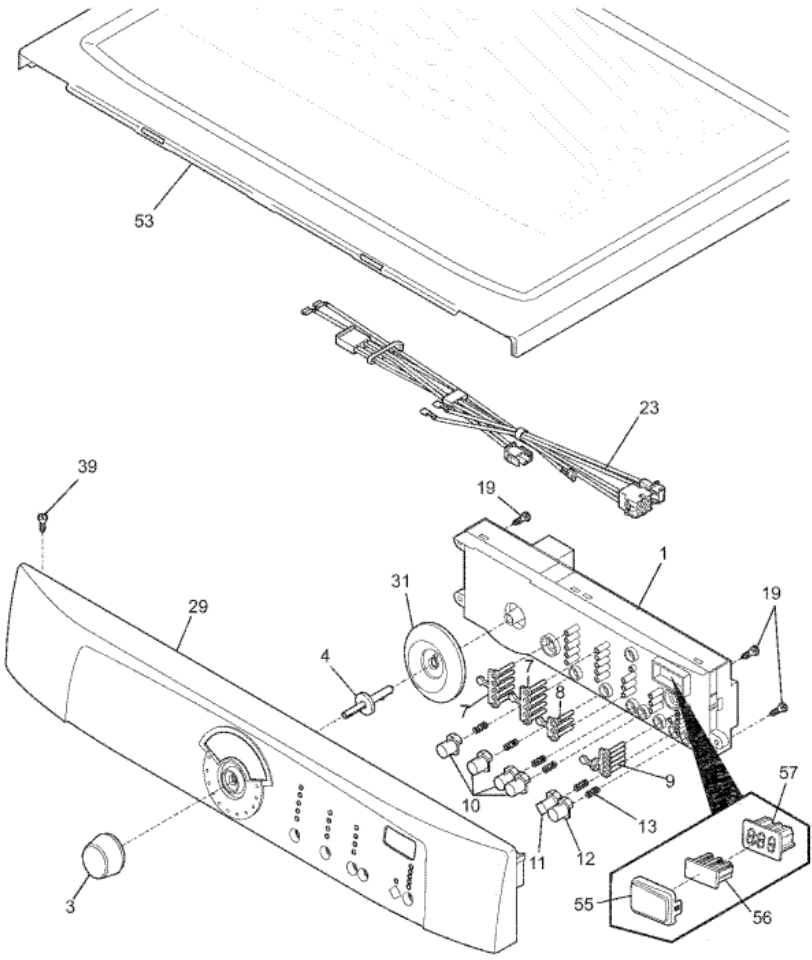




GLEQ2152EE0 PUERTA

| | | |
|-----|------------|--|
| 1 | 134417000 | SEAL,AIR DUCT (S/P) |
| 6 | 134382900 | DUCT,AIR (S/P) |
| 9 | 131633260 | PLUG,BLACK (S/P) |
| 16 | 134440100 | CLIP,U-NUT (S/P) |
| 17 | 134408700 | CLIP,ASSEMBLY (S/P) |
| 18 | 134321760 | PANEL,FRONT SERVICE ,BLACK (S/P) |
| 20 | 5303937182 | SEAL,FELT ,UPPER |
| 21 | 5303937183 | SEAL,FELT ,LOWER |
| 22 | 134397360 | PANEL,FRONT ,BLACK ,W/LAMP HOLE (S/P) |
| 23 | 134430300 | SCREW,INDT PAN HEAD ,10-14 X 0.625 (S/P) |
| 24 | 134465160 | PLUG,HANDLE HOLE ,BLACK (S/P) |
| 25 | 131658845 | LATCH,DOOR ,GRAY ,LOWER (S/P) |
| 27 | 131450345 | TRAP,LINT BLADE ASSY ,GRAY (S/P) |
| 28 | 5303281074 | CLIP,GUIDE |
| 39 | 131205100 | SCREW,NO.8 PAN HEAD ,10-10B X 0.500 (S/P) |
| 41 | 134412460 | HINGE,DOOR ,BLACK (S/P) |
| 42 | 134156200 | SCREW,FLAT HEAD ,8-18AB X 0.44 (S/P) |
| 44 | 134413345 | GASKET,DOOR SEAL ,GRAY (S/P) |
| 46 | 134472202 | HANDLE,DOOR (S/P) |
| 47 | 134412360 | PANEL,INNER DOOR ,BLACK (S/P) |
| 48 | 134913160 | PANEL,OUTER DOOR ,BLACK (S/P) |
| 49 | 134548100 | DOOR STRIKE (S/P) |
| 50 | 131303300 | SCREW,PAN HEAD ,10-16AB X 0.500 (S/P) |
| 53 | 134443202 | ADAPTER,DOOR GLASS RING (S/P) |
| 54 | 134611800 | GLASS,INNER DOOR (S/P) |
| 55 | 134580300 | GASKET,DOOR GLASS ,INNER (S/P) |
| F8 | 131845845 | COVER,LINT HOUSING ,W/MOIST SENSOR (S/P) |
| F26 | 131843101 | SWITCH,DOOR ,WITH DRUM LIGHT (S/P) |
| F58 | 131843500 | LAMP ASSY,DRUM LIGHT ,W/MTG BRACKET (S/P) |

GLEQ2152EE0 TABLERO

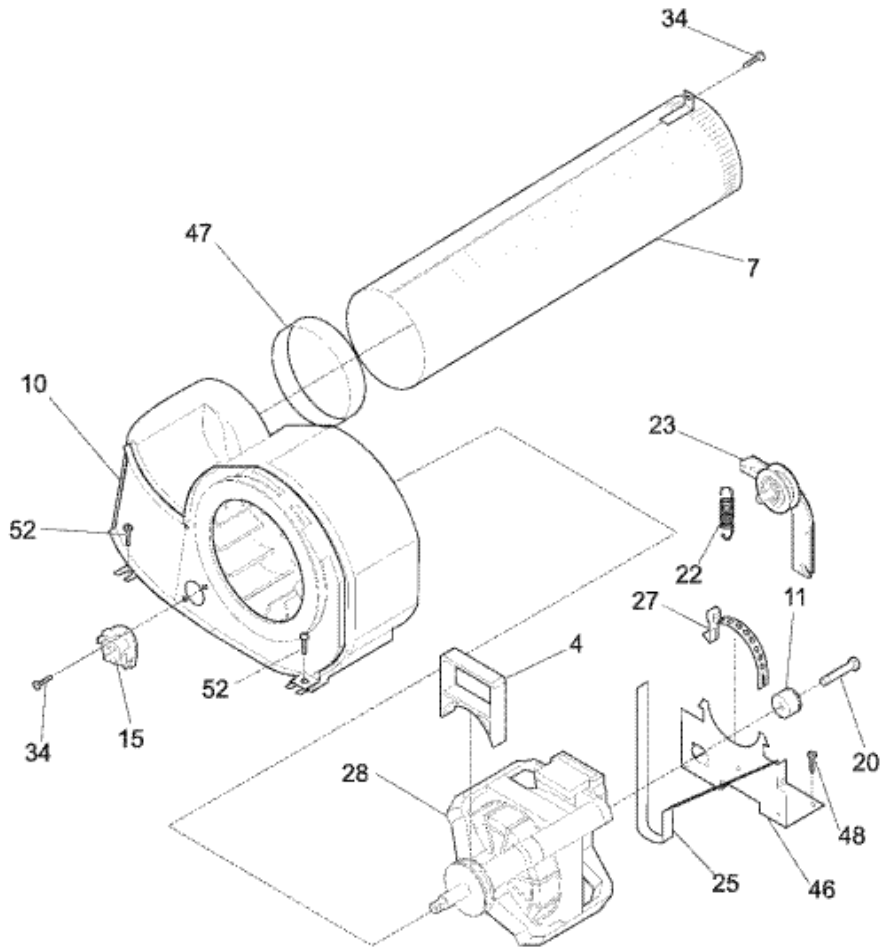




GLEQ2152EE0 TABLERO

| | | |
|-----|-----------|---------------------------------------|
| 3 | 134471560 | KNOB,PROGRAM (S/P) |
| 4 | 134347700 | PIN,PROGRAM KNOW (S/P) |
| 7 | 134429100 | LIGHT PIPE,ARRAY ,1 ROW OF 5 (S/P) |
| 8 | 134429200 | LIGHT PIPE,ARRAY ,2 ROW OF 4 (S/P) |
| 9 | 134429400 | LIGHT PIPE,ARRAY ,4 START GROUP (S/P) |
| 10 | 134447160 | PUSH BUTTON,NO.1 (S/P) |
| 11 | 134447201 | PUSH BUTTON,NO.2 (S/P) |
| 12 | 134447301 | PUSH BUTTON,NO.3 (S/P) |
| 13 | 134349400 | SPRING,PUSH BUTTON (S/P) |
| 19 | 134402900 | SCREW,PHILLIPS ,6-19 X 0.650 (S/P) |
| 29 | 134759100 | PANEL,CONTROL CONSOLE ,BLACK (S/P) |
| 31 | 134758700 | BEZEL,KNOB FLANGE (S/P) |
| 39 | 134178901 | SCREW,8-18AB X 0.455 (S/P) |
| 53 | 134365060 | PANEL,WORK TOP ,BLACK (S/P) |
| 55 | 134429000 | LENS,DIGITAL DISPLAY (S/P) |
| 56 | 134503400 | LIGHT PIPE,DIGITAL DISPLAY (S/P) |
| F1 | 134523200 | CONTROL BOARD,PRINTED CIRCUITÇ (S/P) |
| FNI | 134394200 | WIRING HARNESS,MAIN (S/P) |
| F23 | 134394400 | WIRING HARNESS,CONTROLS (S/P) |
| F57 | 134503300 | DISPLAY,DIGITAL (S/P) |

GLEQ2152EE0 MOTOR





GLEQ2152EE0 MOTOR

| | | |
|-----|-----------|--|
| 4 | 131435200 | LOCK,BLOWER HOUSING (S/P) |
| 7 | 131451600 | TUBE,EXHAUST ,REAR ,W/MTG BRACKET (S/P) |
| 11 | 131749800 | SPACER,IDLER (S/P) |
| 20 | 131017900 | SCREW,HEX HEAD ,1/4-20T X 1.25 (S/P) |
| 22 | 131601000 | SPRING,IDLER ARM (S/P) |
| 27 | 134242400 | CLAMP,MOTOR MTG. (S/P) |
| 34 | 131243700 | SCREW,PAN HEAD ,8-18AB X 0.375 (S/P) |
| 46 | 134203400 | BRACKET,MOTOR MTG |
| 47 | 131633300 | SEAL,EXHAUST TUBE (S/P) |
| 48 | 131168200 | SCREW,PAN HEAD ,8-18B X 0.31 (S/P) |
| 52 | 131202300 | SCREW,10-16AB X 0.625 (S/P) |
| F28 | 131560100 | MOTOR & PULLEY ASSY |
| F10 | 131775600 | BLOWER ASSY,HOUSING ,W/COVER & WHEEL |
| F25 | 134503600 | BELT,DRYER |
| F23 | 131863000 | IDLER ARM ASSY,W/PULLEY |
| F15 | 134587700 | THERMISTOR,CONTROL (S/P) |