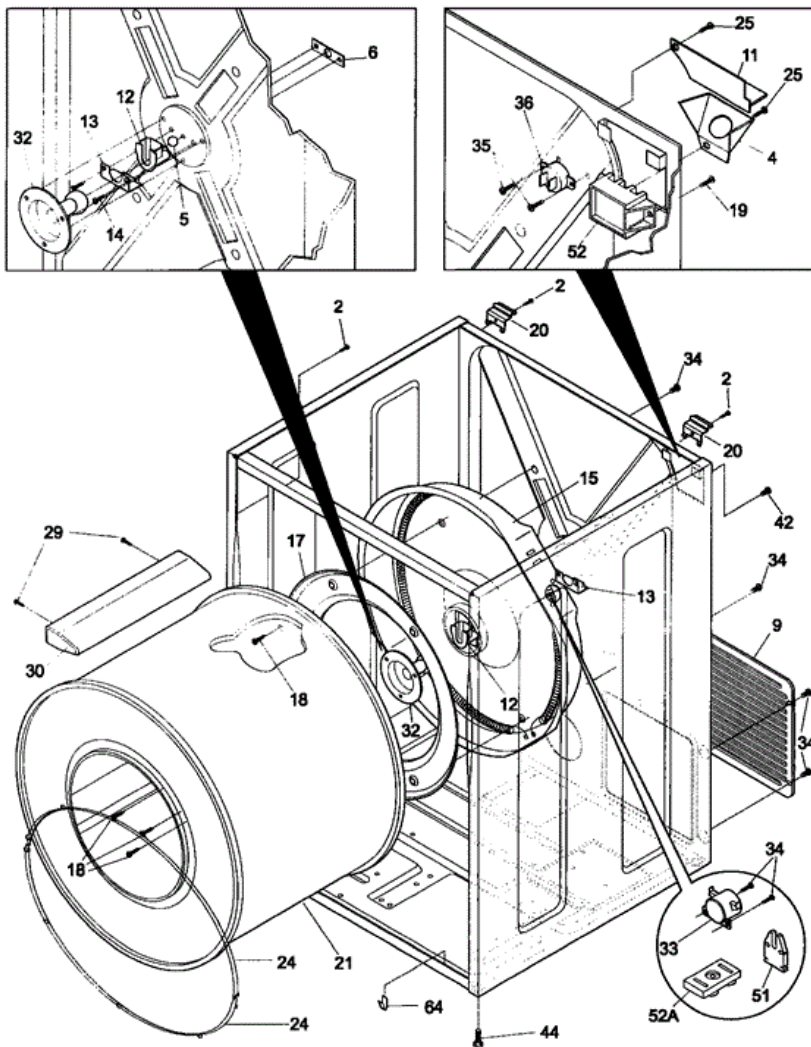


Distribuidor Autorizado

SurteRápido.com

Venta de Refacciones
Electrodomesticas

GLER341AS2 GABINETE

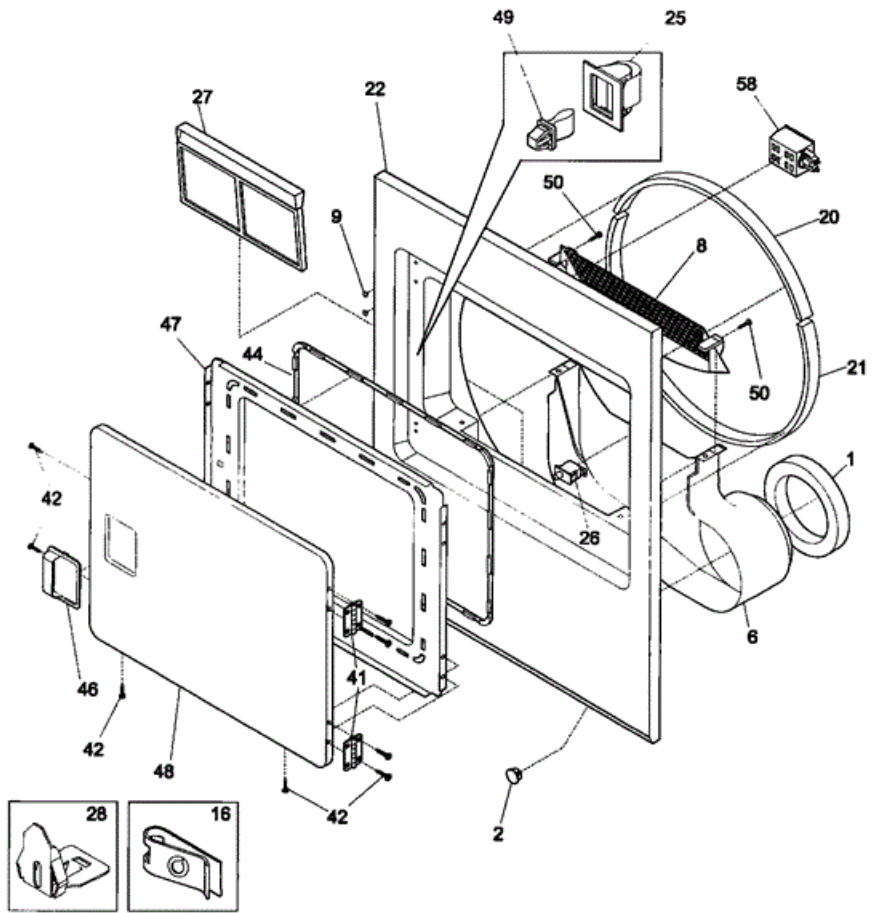




GLER341AS2 GABINETE

2	131168200	SCREW,PAN HEAD ,8-18B X 0.31
4	131785200	BRACKET,ELEC POWER CORD ,KNOCK OUT
5	5303281019	BALL
6	5303281020	CLIP,BALL ,STEEL ,FLAT NUT
9	131793201	PANEL,ACCESS ,REAR
11	5303211428	COVER, TERMINAL BLOCK
12	131825900	BEARING-DRUM SUPPORT
13	131724300	BRACKET,BEARING SUPPORT
14	131205400	SCREW,BRACKET MTG. ,10-16B X 1.375 ,CR/SQ DRIVE
17	3204254	BAFFLE,HEATER SHIELD
18	131477000	SCREW,SHAFT/BAFFLE MT ,10-16AB X 0.375 ,SPECIAL
19	131205300	SCREW,10-16 X 0.750
20	131469100	BRACKET,HINGE ,REAR ,TOP PANEL MTG.
21	134122532	DRUM,DRYER ,GALVANIZED STL. ,SERVICE KIT
24	131963900	GLIDE-DRUM
25	5303015671	SCREW,HEX WASHER HEAD ,8-18 X 0 .375 ,CUP POINT
29	131382300	SCREW,QUADREX HEAD ,10-14 X 1.00 ,
30	5303201200	VANE,STRAIGHT
32	131777700	SHAFT,DRUM SUPPORT ,BALLHITCH
34	131243700	SCREW, PAN HEAD, 8-18AB X 0.375, CR/SQ DRIVE
35	131892100	SCREW,6-20B X 0.230
42	134154100	SCREW,HEX WASHER HEAD ,10-32 X 0.375 ,GROUND
44	134158000	SCREW,LEVELING LEG
51	131472100	INSULATOR,HEATER HOUSING
52A	3202786	TERMINAL BLOCK,HEATER HOUSING
64	131704600	CLIP
F15	131553900	HEATER ASSY,W/HOUSING/FELT
F33	3204267	THERMOSTAT-SAFETY
F36	134120900	THERMAL LIMITER
F52	134101400	TERMINAL BLOCK,MAIN
NI	5303281153	REAR BEARING KIT, INCLUDES 5, 6, 12, 13, 14, 18, 32
NI	5303307893	LUBRICANT, HIGH TEMP

GLER341AS2 PUERTA

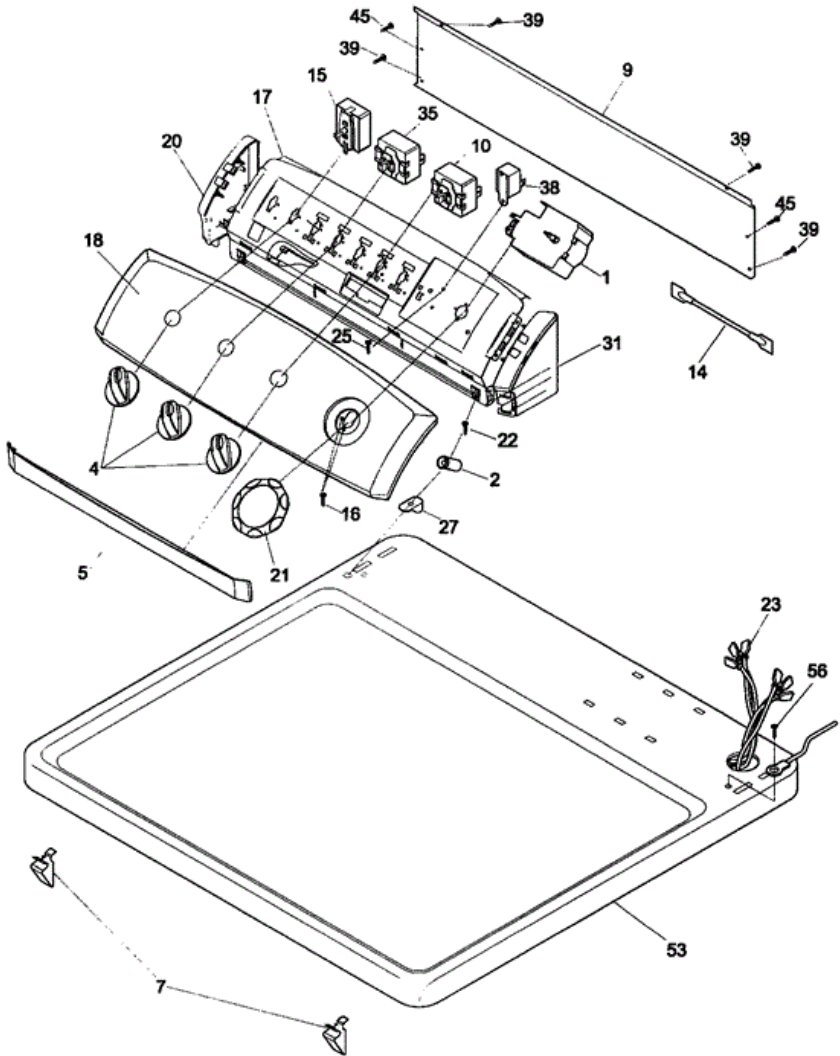




GLER341AS2 PUERTA

1	134063300	SEAL,AIR DUCT
2	131397000	PLUG-DOME-WHITE
6	131621900	DUCT-AIR
8	131622202	COVER-LINT HOUSING
9	131633200	PLUG,WHITE
16	131063700	CLIP-WIRING
20	134036400	SEAL,FELT ,UPPER
21	134134700	SEAL,FELT ,LOWER
22	131845912	PANEL,FRONT ,WHITE ,W/LIGHT HOLE
25	131658800	DOOR CATCH
27	131450300	TRAP,LINT BLADE ASSY
28	5303281074	CLIP-GUIDE,(3)
41	131627500	HINGE-DOOR
42	131209600	SCREW, FLAT HEAD, 8-18AB X 0.44, CR/SQ DRIVE
44	131129900	GASKET,DOOR SEAL
46	131644700	HANDLE-DOOR, WHITE
47	131844104	PANEL-INNER DOOR WHITE
48	131789303	PANEL,OUTER DOOR ,WHITE
49	5303211430	DOOR STRIKE
50	131303300	SCREW,PAN HEAD LOCK ,10-16AB X 0.500
F26	131843101	SWITCH,DOOR ,WITH DRUM LIGHT
F58	131843500	LAMP ASSY,DRUM LIGHT
NI	131474700	INSULATION
NI	131862800	LAMP
NI	5308027429	ADHESIVE, HIGH TEMP

GLER341AS2 TABLERO

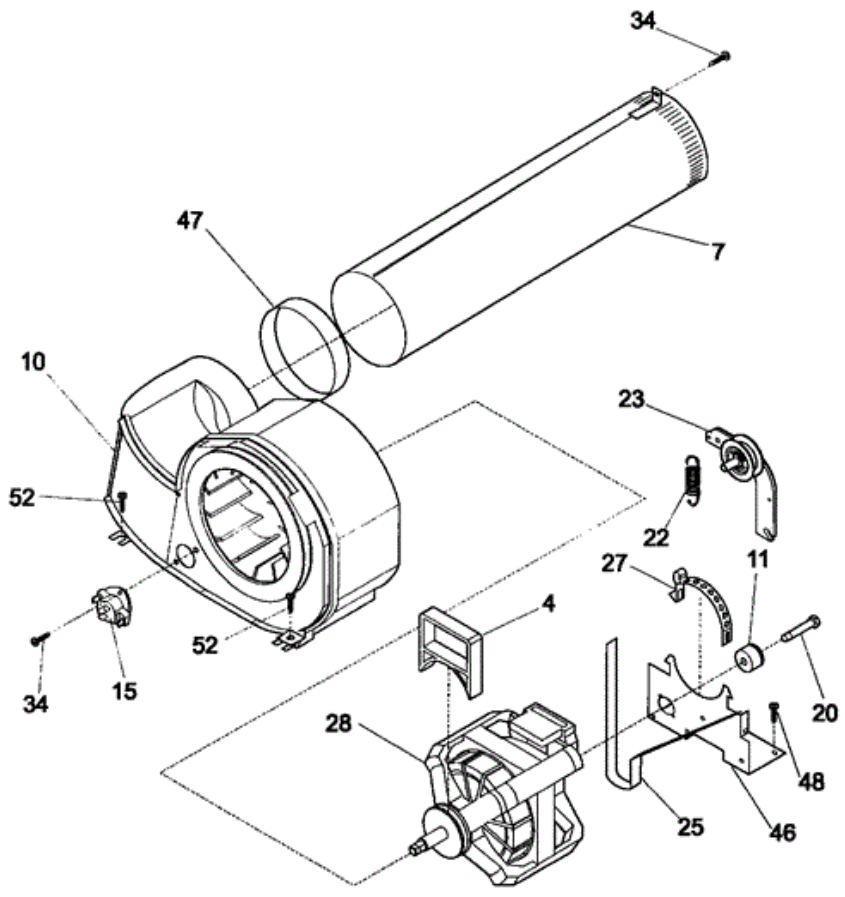




GLER341AS2 TABLERO

1	131719100	TIMER-DRYER
2	134096100	SPACER,CONSOLE MTG
4	134034900	KNOB,ROTARY ,WHITE
5	134019900	CLOSURE,CONSOLE TRIM ,FRONT
7	3205821	CLIP, TOP-TO-FRONT
9	131992900	PANEL,BACKSHEET ,CONSOLE
16	134034300	SCREW,PAN HD PHILLIPS ,8-18B X 0.250
17	131993010	BRACKET,CONTROL MTG.
18	134152300	TRIMPLATE FDE/B1PRHZ-2
20	134019610	END CAP,WHITE ,LH
21	134035500	KNOB,TIMER ,WHITE/GRAY
22	131266300	SCREW,CR OVAL HEAD ,8-18AB X 1.250 ,BLACK
25	5303015671	SCREW,HEX WASHER HEAD ,8-18 X 0 .375 ,CUP POINT
27	131197000	CLIP-CONSOLE MTG
31	134019600	END CAP,WHITE ,RH
39	131168200	SCREW,PAN HEAD ,8-18B X 0.31
45	131205100	SCREW,NO.8 PAN HEAD ,10-10B X 0.500 ,CR/SQ DRIVE
53	134086802	PANEL,DRYER TOP ,WHITE ,CONSOLE MTG
56	131243800	SCREW,PAN HD LOCKING ,8-32CA X 0.375
F10	131447800	SWITCH,START ,TURN TYPE
F14	3205243	RESISTOR,POWER ,4.4 KILOHM ,WITH TERMINAL
F15	131048100	SWITCH, TEMPERATURE
F23	134109900	WIRING HARNESS
F35	131243200	SWITCH,XRINSE/TEMP/BZR ,2 POSITION ,(2)
F38	131629400	BUZZER-MINI
NI	131629600	WIRING HARNESS,MINI BUZZER

GLER341AS2 MOTOR





GLER341AS2 MOTOR

4	131435200	LOCK,BLOWER HOUSING
7	131451600	TUBE,EXHAUST ,REAR ,W/MTG BRACKET
11	131749800	SPACER-IDLER
20	131017900	SCREW,HEX HEAD ,1/4-20T X 1.25
22	131601000	SPRING,IDLER ARM
27	131419800	CLAMP,MOTOR MTG.
34	131243700	SCREW, PAN HEAD, 8-18AB X 0.375, CR/SQ DRIVE
46	131601100	BRACKET,MOTOR MTG.
47	131633300	SEAL-EXHAUST TUBE
48	131168200	SCREW,PAN HEAD ,8-18B X 0.31
52	131303100	SCREW,HEX WASHER HEAD ,10-16AB X 0.625
F10	131775600	HOUSING,BLOWER ASSY ,COVER & WHEEL
F15	131298300	THERMOSTAT,TEMP CONTROL
F23	131863000	IDLER ARM
F25	134163400	BELT
F28	131560100	MOTOR,MAIN DRIVE ,W/PULLEY
NI	131456800	TUBE,EXHAUST ,SIDE/BOTTOM ,OPTIONAL KIT