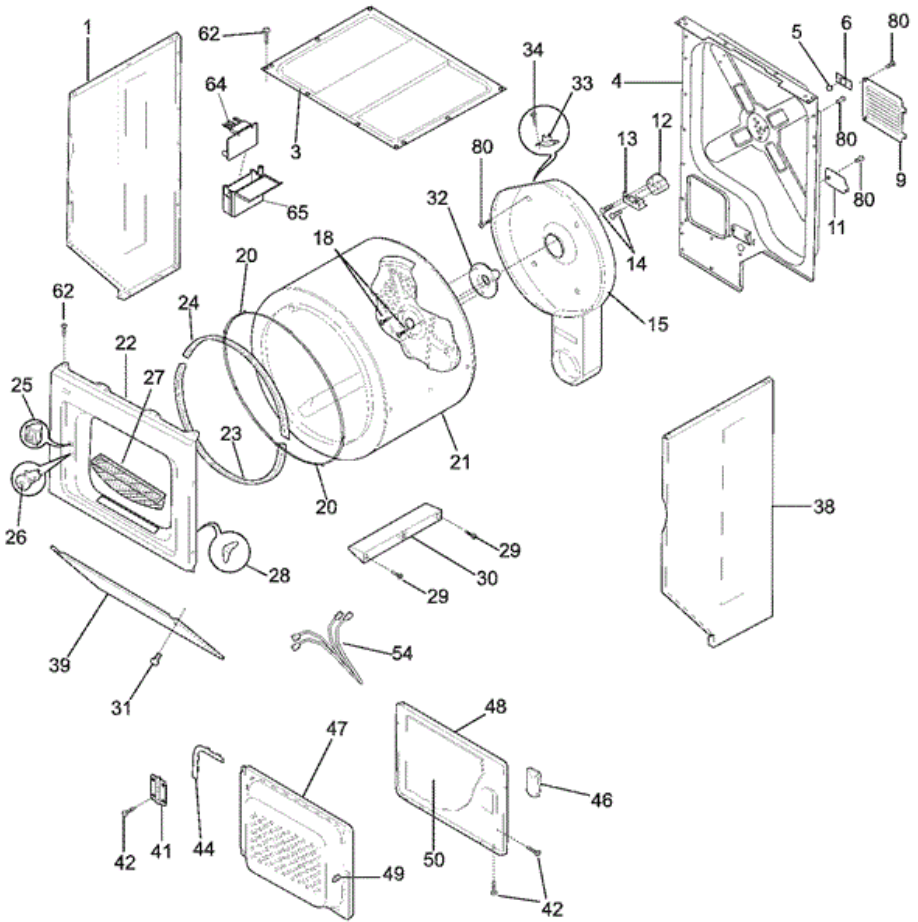


GLGT1031FS2 TAMBOR





GLGT1031FS2 TAMBOR

1	131084710	PANEL,WHITE ,LEFT SIDE
3	131883301	PANEL,TOP
4	134799902	PANEL,REAR ,STEEL ,GALVANIZED
5	5303281019	BALL,GROUNDING
6	5303281020	CLIP,BALL ,STEEL ,FLAT NUT
9	3204249	PANEL,MOTOR ACCESS ,REAR
11	5303207395	COVER-TERMINAL BLOCK
12	131825900	BEARING-DRUM SUPPORT
13	131724300	BRACKET,BEARING SUPPORT
14	131205400	SCREW,BRACKET MTG. ,10-16B X 1.375 ,CR/SQ DRIVE
15	131776500	HOUSING,HEATER,W/DUCT
18	131477000	SCREW,10-16AB X 0.375
20	131963900	GLIDE-DRUM
21	134122572	DRUM,DRYER ,PAINTED ,SERVICE KIT
22	131636237	PANEL,FRONT ,WHITE
23	134134700	SEAL,FELT ,LOWER
24	134036400	SEAL,FELT ,UPPER
25	131658800	DOOR CATCH,UPPER
27	131359600	LINT TRAP
28	134440000	CLIP,GUIDE
29	131382300	SCREW,QUADREX HEAD ,10-14 X 1.00 ,
30	5303201200	VANE,STRAIGHT
31	131202300	SCREW,10-16AB X 0.625
32	131777700	SHAFT,DRUM SUPPORT ,BALLHITCH
34	131243800	SCREW,PAN HD LOCKING ,8-32CA X 0.375 ,CUP POINT
38	131084810	PANEL,WHITE ,RIGHT SIDE
39	131084402	PANEL,ACCESS ,WHITE ,FRONT
41	134222900	HINGE,DRYER DOOR
42	134156200	SCREW,FLAT HEAD ,8-18AB X 0.44 ,QUAD DRIVE
44	131129900	GASKET,DOOR SEAL

46	131789400	HANDLE-DOOR, WHITE
47	131579103	PANEL,INNER DOOR ,WHITE
48	131789303	PANEL,OUTER DOOR ,WHITE
49	5303211430	DOOR STRIKE
50	134535300	INSULATOR,HEAT SHIELD ,OUTER DOOR
62	131258400	SCREW,10-16AB X 0.500
65	131894600	HOUSING,TEMP CONT BOARD
80	134547800	SCREW,10-16AB X 0.375
F26	131843100	SWITCH,DOOR
F33	5304406099	THERMOSTAT-SAFETY
F54	134846300	WIRING HARNESS,DOOR SWITCH
F64	134810610	CONTROL BOARD,TEMPERATURE ,ATC
FNI	134805600	WIRING HARNESS,ATC JUMPER
NI	131870700	PLUG-LIGHT HOLE

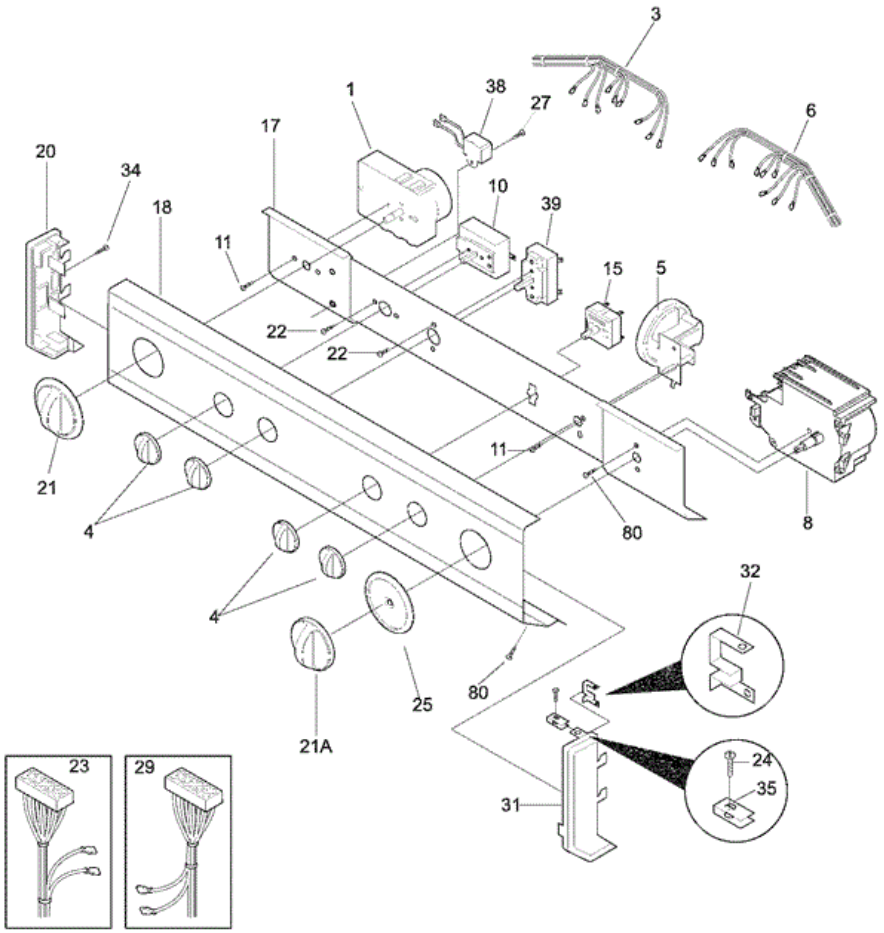


GLGT1031FS2 TURBINA

1	131295200	SEAL-AIR DUCT
10A	134608200	HOUSING,BLOWER ,REAR
4	131362400	FASTENER,PUSH-IN
6	134086300	DUCT,AIR
7	3204490	SEAL-HOUSING TO AIR DUCT
8	3205245	SCREW,PAN HEAD ,6-18AB X 0.60
9	5303304824	CLAMP
10	134611700	HOUSING,BLOWER ,FRONT ,WITH SEAL
12	131476300	BLOWER WHEEL
13	134608400	GROUND STRAP,THERMOSTAT
18	131413600	CRADLE,MOTOR MOUNT ,WITH IDLER STUD
19	134613501	PANEL,MOTOR CRADLE MT ,UPPER
22	3205241	SPRING-IDLER
23	131863100	IDLER ARM ASSY,WITH PULLEY
26	5303212870	BLOCK,SUPPORT ,BOTTOM PANEL
27	134242400	CLAMP,MOTOR MTG.
33	131731410	SHIELD,ACCESS AREA ,COVER
34	134154100	SCREW,HEX WASHER HEAD ,10-32 X 0.375 ,GROUND
38	3204320	ELBOW,EXHAUST DUCT
39	131205100	SCREW,NO.8 PAN HEAD ,10-10B X 0.500 ,
42	5304439185	BRACKET,MARRIAGE ,INTERIOR
43	131751500	SCREW,HEX HEAD ,12-24T 0.63
44	3204326	BRACKET,L MOUNTING ,CABINET REAR ,EXTERNAL
48	131731310	PANEL,DRYER ,BOTTOM REAR
50	3204329	COVER,SAFETY ,LOWER FRONT
61	5303309493	BRACKET,GAS VALVE MTG
62	131243700	SCREW , PAN HEAD , 8-18AB X 0.375
64	134145200	PIPE,GAS
80	134547800	SCREW,10-16AB X 0.375
85	134287300	SHIELD,HEAT
86	134264800	PLATE,ADAPTER
87	131964400	CABLE TIE,PUSH MOUNT ,5.20 INCH
F15	134721400	THERMOSTAT,TEMP CONTROL

F25	134503900	BELT,DRYER DRIVE
F28	134196600	MOTOR,DRYER DRIVE ,WITH PULLEY
F31	134500500	POWER CORD,ELECTRIC SVCE
F67	134769400	ELBOW,GAS FITTING
F68	134185100	TAIL PIECE,COUPLING
F69	5308015194	UNION,HEX NUT
F70	5303207409	VALVE GAS
F71	5300622602	SOLENOID,SECONDARY COIL
F72	5308015680	SOLENOID,BOOSTER COIL
F73	5303211036	ORIFICE,NATURAL GAS ,SIZE 44
F74	134393700	IGNITER ASSY
F77	134197700	BURNER,GAS
F79	5303281135	SENSOR,RADIANT
F80A	131712401	TUBE-BURNER
FNI	134391000	LP CONVERSION KIT,NATURAL TO LP

GLGT1031FS2 TABLERO

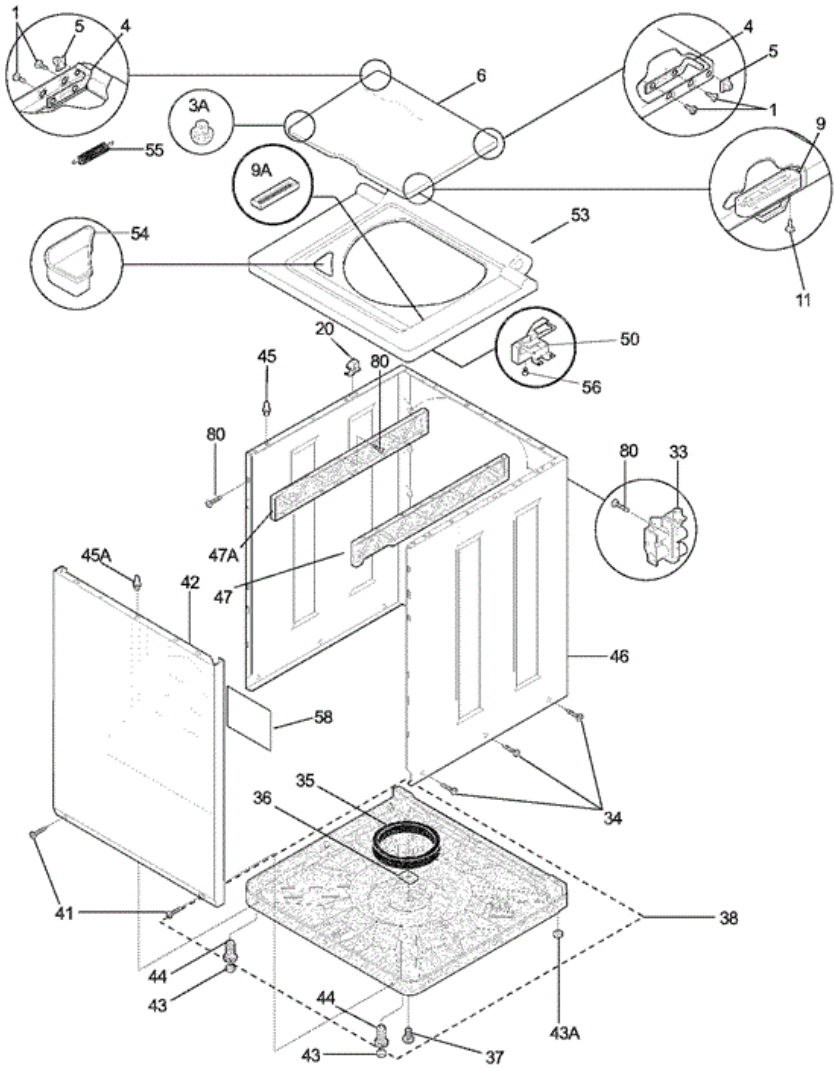




GLGT1031FS2 TABLERO

4	134844470	KNOB,ROTARY ,WHITE
5	134422700	SWITCH,PRESSURE ,3 POSITION ,3/4 HP
11	5303283289	SCREW,CR PAN HEAD `8-32 X 0.250 ,
17	134263400	BRACKET,CONTROL MOUNT
18	134284200	PANEL,TRIMPLATE ,CONSOLE FRONT
20	131288101	END CAP,WHITE ,LH
21	134043000	KNOB,DRYER TIMER ,WHITE/DARK GRAY
21A	134043200	KNOB,WASHER TIMER ,WHITE
22	3161259	SCREW,SWITCH MTG ,6-32 X 0 .19 ,(2) ,SEMS
24	134156200	SCREW,FLAT HEAD ,8-18AB X 0.44 ,QUAD DRIVE
25	131976804	INDICATOR,TIMER POINTER
27	131892100	SCREW,6-20B X 0.230
31	131288211	END CAP, WHITE, RH
32	3204357	CLIP-GROUNDING
34	131243700	SCREW, PAN HEAD, 8-18AB X 0.375
35	5308014350	CLIP,END CAP MTG ,U-TYPE
80	134547800	SCREW,10-16AB X 0.375
F1	131583801	TIMER,DRYER ,3-OFF
F10	134399700	SWITCH,START ,LCD
F15	134410100	SWITCH,TEMPERATURE ,3 POSITION
F23	134605800	WIRING HARNESS,MAIN
F29	134769600	WIRING HARNESS,WASHER ,LOWER
F3	131703600	WIRING HARNESS,DRYER CONTROL
F38	5303286537	BUZZER
F39	134399800	SWITCH,DRYER TEMP ,ROTARY 4 POS
F6	134542500	WIRING HARNESS,WASHER CONTROL
F8	134049600	TIMER,WASHER
FNI	134101400	TERMINAL BLOCK,MAIN
NI	5304426200	SCREW,TERMINAL BLOCK

GLGT1031FS2 GABINETE





GLGT1031FS2 GABINETE

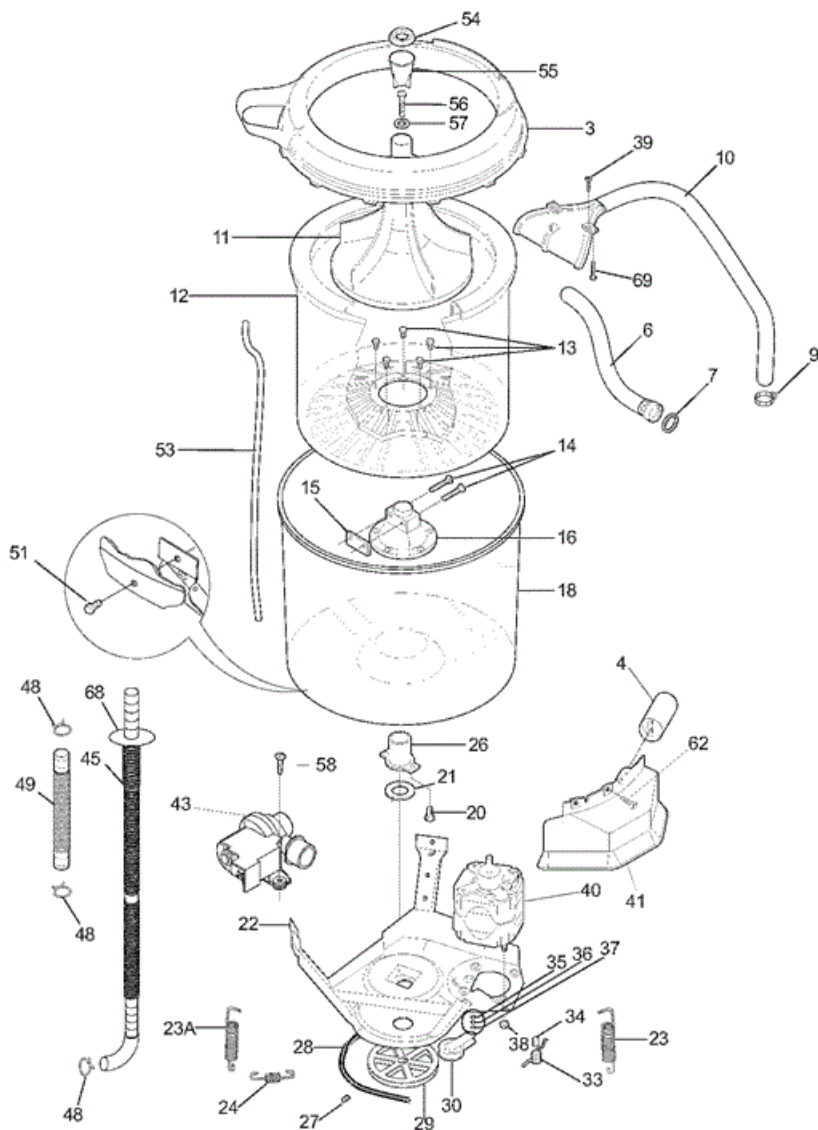
1	134203900	SCREW,PAN HD PHILLIPS ,6-32 X 0.337 ,DOG POINT
4	3205250	HINGE BAR
5	5303208743	GROMMET,HINGE
6	5303212872	LID,WASHER ,WHITE
9	131390000	LID STRIKE
11	3204368	SCREW,LID STRIKE MTG ,6-20B X 0.375
20	3204374	PIN,SLIDE ,SIDE TO TOP
34	131205500	SCREW,CAB BODY ,1/4-14 X 0.625 ,SIDE-TO-BASE
35	5308002385	SNUBBER RING
36	3204380	SHIPPING BLOCK
37	131658900	SCREW,SHIPPING ,1/4-20 X 1.001 ,YELLOW
38	5303311213	BASE ASSEMBLY
3A	134075500	BUMPER,LID ,FRONT
41	131258400	SCREW,10-16AB X 0.500
42	131104303	PANEL - FRONT - WHITE
43	131422100	PAD-LEVELING LEG
43A	131422200	PAD,SELF LVLG LEG ,REAR
44	5303309673	SCREW,LEVELING LEG ,WITH PAD
45	131346400	PIN,PANEL LOCATOR
45A	131346401	PIN,PANEL LOCATOR ,FRONT
46	134046600	CABINET ASSY,WHITE ,BACK AND SIDES
47	131106701	BRACKET-MARRIAGE-RH
47A	131091001	BRACKET-MARRIAGE-LH
53	131452510	PANEL,WASHER TOP ,WHITE
54	3204394	DISPENSER-BLEACH
55	137046100	SPRING,LID ASSIST
56	131243700	SCREW, PAN HEAD, 8-18AB X 0.375
58	131744202	DAMPER,VIBRATION
80	134547800	SCREW,10-16AB X 0.375
9A	134768500	INSERT,STRIKER PLATE ,LID SLOT
F33	134890600	VALVE,WATER ,115 V
F50	134101800	LOCK,LID ,W/EXT SWITCH

Distribuidor Autorizado

SurteRápido.com

Venta de Refacciones
Electrodomesticas

GLGT1031FS2 TINAS



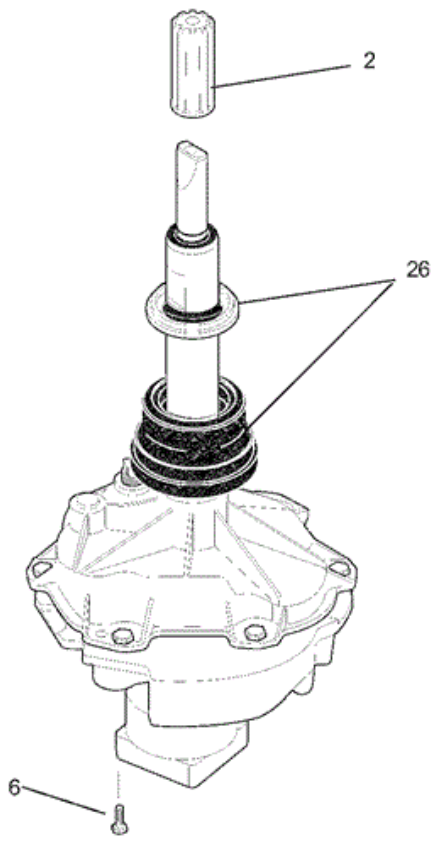
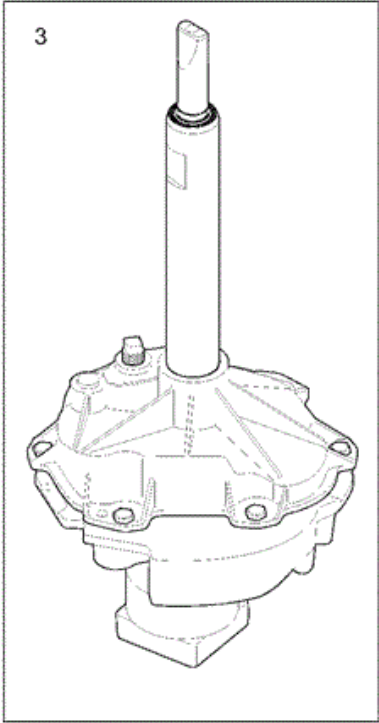


GLGT1031FS2 TINAS

3	131551103	COVER,SPLASH TUB ,WITH SEAL
6	131454100	HOSE,WATER INLET ,4 FT. ,HOSE & WASHER
7	5303161296	WASHER-INLET HOSE
9	5303304824	CLAMP
10	134211700	HOSE ASSY,W/NOZZLE
11	131427200	AGITATOR
12	131221300	TUB-SPIN
13	5303283293	SCREW,TRUNION ,5/16-18 X 0.625 ,(5)
14	131192800	SCREW,LOCKPLATE ,5/16-18 X 1.625
15	5308001923	PLATE,LOCK
16	131545101	TRUNNION
18	131557201	TUB,SPLASH ,W/AIR DOME,BRG
20	3205150	SCREW,TUB BEARING ,8-12B X 0.750
21	5308002401	WASHER, SPIN BEARING, UPPER
22	131373610	LEG & DOME ASSY
23	134886600	SPRING,VERTICAL ,SHORT
23A	134885900	SPRING,VERTICAL
24	131373900	SPRING-HORIZONTAL
27	5303304825	SCREW,SET,HEX HD CUP ,5/16-18 X 0.85
33	3204425	SPRING,TORSIONAL
34	3204426	SLEEVE-IDLER PIVOT
35	3161433	RING-RETAINING
36	5303261031	WASHER-PIVOT SHAFT
37	5303161306	WASHER,SPRING TYPE
38	5303318708	NUT,HEX FLANGE ,MOTOR MOUNTING
39	131205100	SCREW,NO.8 PAN HEAD ,10-10B X 0.500 ,CR/SQ DRIVE
41	134455500	SHIELD,MOTOR ASSY
48	131306234	CLAMP,HOSE ,WIRE
51	134164400	SCREW,HEX WASHER HEAD ,5/16-18 X 0.625
53	5304401845	TUBE,PRESSURE ,VINYL
54	131266800	CAP-DISPENSER
55	131206100	CUP-DISPENSER
56	131468900	SCREW,AGITATOR MTG ,5/16-18 X 1.250

57	131339600	SPACER,AGITATOR MTG ,RUBBER
58	134160900	SCREW,WASHER HD ,10-16AB X 0.75
62	131258400	SCREW,10-16AB X 0.500
68	131707800	RING-DRAIN HOSE
69	131731500	FASTENER-RATCHET
F26	3204405	BEARING-OUTER TUB
F28	134511600	V-BELT,WASHER DRIVE ,STANDARD 4L
F29	131498301	PULLEY,XMSN DRIVE
F30	131862900	IDLER ARM ASSY,VAW ,WITH PULLEY
F4	131212303	CAPACITOR,MOTOR
F40	134159500	MOTOR,3/4 HP,2 SPEED ,WITH PULLEY
F43	134740500	PUMP,DRAIN
F45	134592700	HOSE,DRAIN
F49	131494800	HOSE-PUMP TO TUB
NI	131453000	BUSHING,SNAP-IN
NI	131663500	CUSHION,DRAIN HOSE ,BASE
NI	131901400	Â· SEAL,SPLASH COVER
NI	134261300	CLIP,DRAIN HOSE ,PUSH-MOUNT
NI	134745300	CLIP,DRAIN HOSE
NI	5303212877	INSERT,SPRING ADJUSTER ,VERTICAL
NI	5303309503	CLIP,DRAIN HOSE ,BACK SHEET

GLGT1031FS2 TRANSMISION





GLGT1031FS2 TRANSMISION

6	134197900	SCREW,HEX WASHER HEAD ,1/4-20 X 0.437
F2	134418700	HUB,DRIVE ,AGITATOR
F26	5303279394	SEAL ASSY,TUB ,TRANSMISSION
F3	134736400	TRANSMISSION,SERVICE KIT
NI	134810400	ENERGY GUIDE