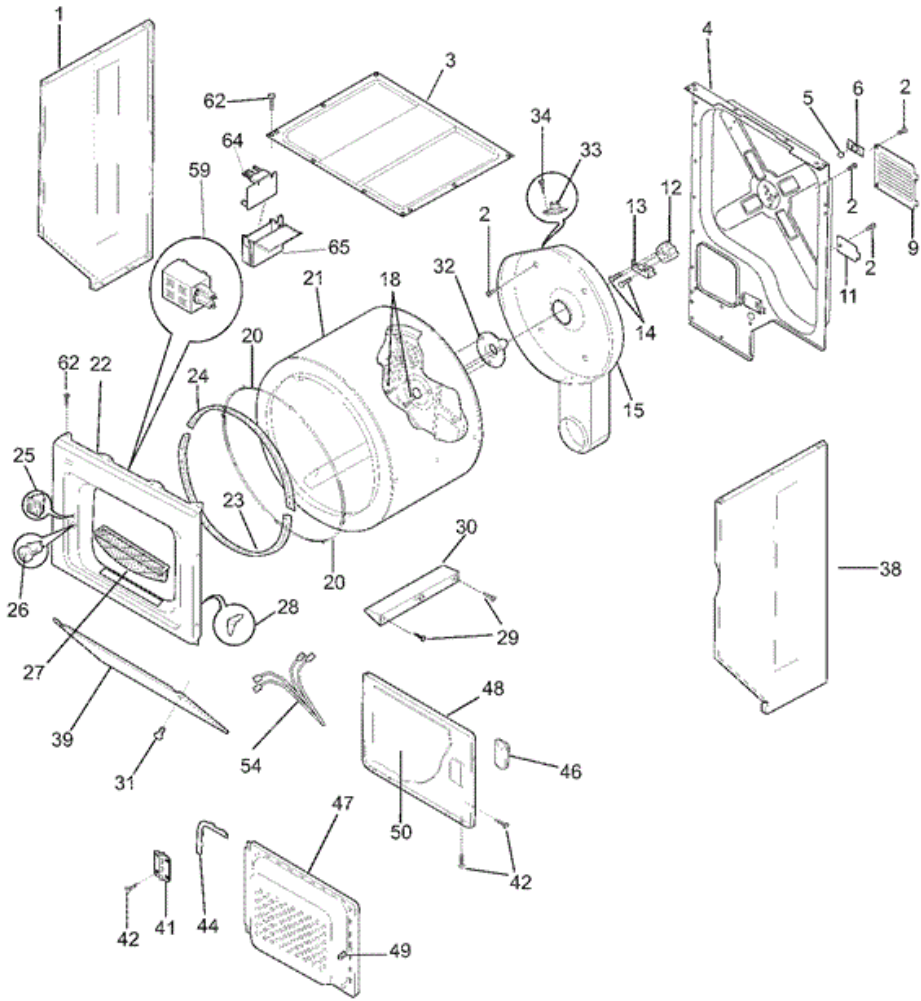


GLGT1142FS0 TAMBOR





GLGT1142FS0 TAMBOR

1	131084710	PANEL,WHITE ,LEFT SIDE
2	131168200	SCREW,PAN HEAD ,8-18B X 0.31
3	131883301	PANEL,TOP
4	134799902	PANEL,REAR ,STEEL ,GALVANIZED
5	5303281019	BALL,GROUNDING
6	5303281020	CLIP,BALL ,STEEL ,FLAT NUT
9	3204249	PANEL,MOTOR ACCESS ,REAR
11	5303207395	COVER-TERMINAL BLOCK
12	131825900	BEARING-DRUM SUPPORT
13	131724300	BRACKET,BEARING SUPPORT
14	131205400	SCREW,BRACKET MTG. ,10-16B X 1.375 ,CR/SQ DRIVE
15	5303207394	HOUSING,HEATER ,W/DUCT & SEAL
18	131477000	SCREW,10-16AB X 0.375
20	131963900	GLIDE-DRUM
21	134122552	DRUM,DRYER ,STAINLESS STEEL ,SERVICE KIT
22	131636237	PANEL,FRONT ,WHITE
23	134134700	SEAL,FELT ,LOWER
24	134036400	SEAL,FELT ,UPPER
25	131658800	DOOR CATCH
27	131359600	LINT TRAP
28	134440000	CLIP,GUIDE
29	131382300	SCREW,QUADREX HEAD ,10-14 X 1.00 ,
30	5304405283	VANE-STRAIGHT-GRAY
31	131202300	SCREW,10-16AB X 0.625
32	131777700	SHAFT,DRUM SUPPORT ,BALLHITCH
34	131243800	SCREW,PAN HD LOCKING ,8-32CA X 0.375 ,CUP POINT
38	131084810	PANEL,WHITE ,RIGHT SIDE
39	131084402	PANEL,ACCESS ,WHITE ,FRONT
41	134222900	HINGE,DRYER DOOR
42	134156200	SCREW,FLAT HEAD ,8-18AB X 0.44 ,QUAD DRIVE
44	131129900	GASKET,DOOR SEAL
46	131789400	HANDLE-DOOR, WHITE
47	131579103	PANEL,INNER DOOR ,WHITE

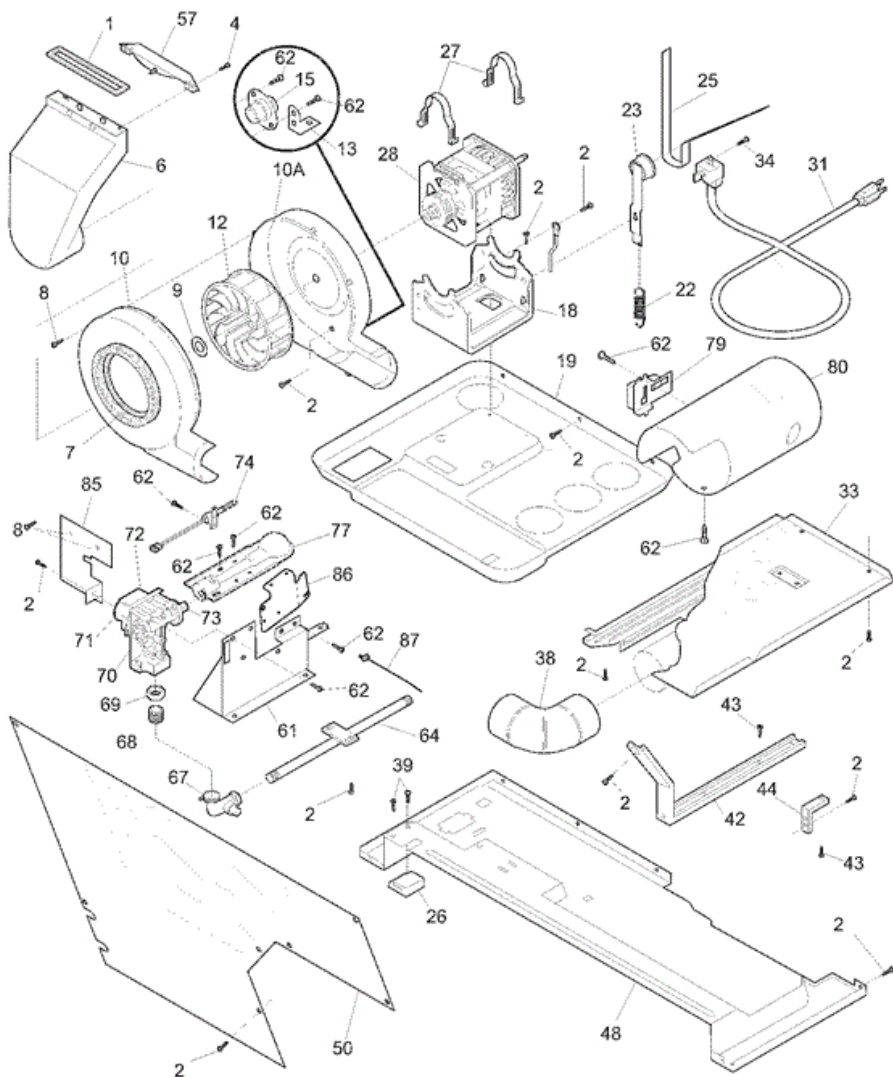
48	131789303	PANEL, OUTER DOOR , WHITE
49	5303211430	DOOR STRIKE
50	134535300	INSULATOR, HEAT SHIELD , OUTER DOOR
62	131258400	SCREW, 10-16AB X 0.500
65	131894600	HOUSING, TEMP CONT BOARD
F26	131843101	SWITCH, DOOR , RECTANGLE , WITH DRUM LIGHT
F33	5304406099	THERMOSTAT-SAFETY
F54	134403200	WIRING HARNESS, DOOR SWITCH , WITH LIGHT
F59	131843500	LAMP ASSY, DRUM LIGHT , W/MTG BRACKET
F64	131891000	CONTROL BOARD, TEMPERATURE , ATC
NI	134805600	WIRING HARNESS, ATC JUMPER

Distribuidor Autorizado

SurteRápido.com

Venta de Refacciones
Electrodomesticas

GLGT1142FS0 MOTOR/TURBINA



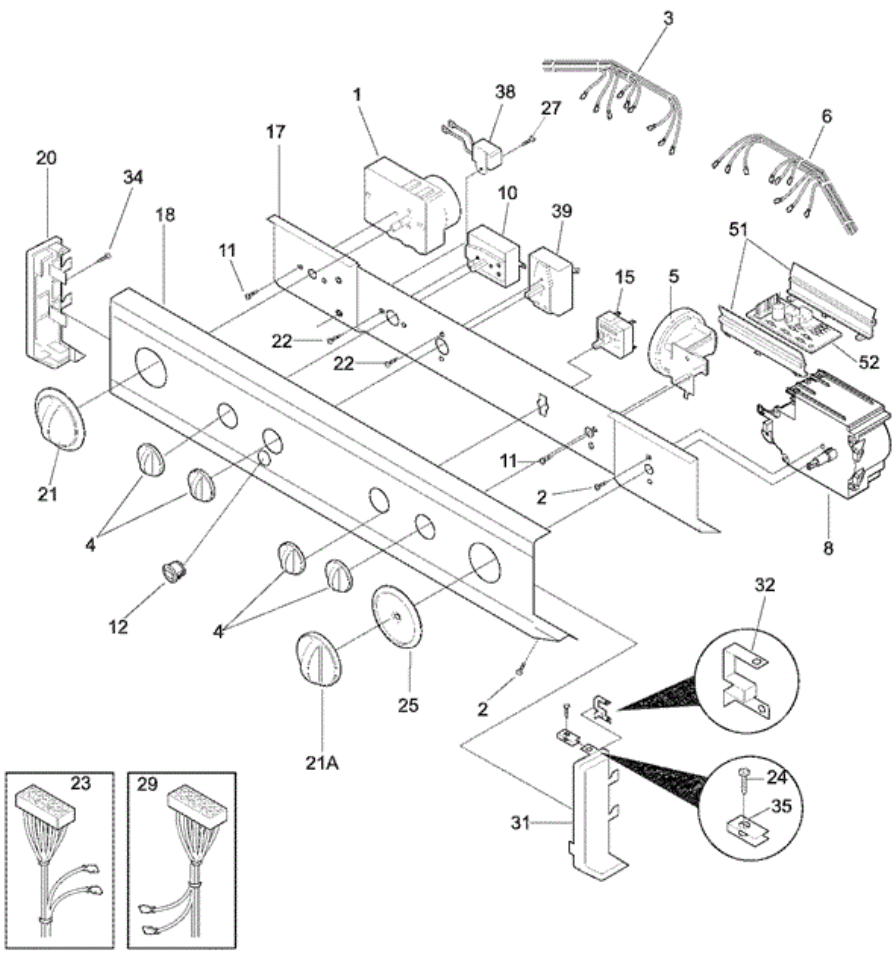


GLGT1142FS0 MOTOR/TURBINA

1	131295200	SEAL-AIR DUCT
10A	134608200	HOUSING,BLOWER ,REAR
2	131168200	SCREW,PAN HEAD ,8-18B X 0.31
4	131477000	SCREW,10-16AB X 0.375
6	134086300	DUCT,AIR
7	3204490	SEAL-HOUSING TO AIR DUCT
8	3205245	SCREW,PAN HEAD ,6-18AB X 0.60
9	5303304824	CLAMP
10	134611700	HOUSING,BLOWER ,FRONT ,WITH SEAL
12	131476300	BLOWER WHEEL
13	134608400	GROUND STRAP,THERMOSTAT
18	131413600	CRADLE,MOTOR MOUNT ,WITH IDLER STUD
19	134613501	PANEL,MOTOR CRADLE MT ,UPPER
22	3205241	SPRING-IDLER
23	131863100	IDLER ARM ASSY,WITH PULLEY
26	5303212870	BLOCK,SUPPORT ,BOTTOM PANEL
27	134242400	CLAMP,MOTOR MTG.
33	131731410	SHIELD,ACCESS AREA ,COVER
34	134154100	SCREW,HEX WASHER HEAD ,10-32 X 0.375 ,GROUND
38	3204320	ELBOW,EXHAUST DUCT
39	131205100	SCREW,NO.8 PAN HEAD ,10-10B X 0.500 ,CR/SQ DRIVE
42	5304439185	BRACKET,MARRIAGE ,INTERIOR
43	131751500	SCREW,HEX HEAD ,12-24T 0.63
44	3204326	BRACKET,L MOUNTING ,CABINET REAR ,EXTERNAL
48	131731310	PANEL,DRYER ,BOTTOM REAR
50	3204329	COVER,SAFETY ,LOWER FRONT
57	131729300	COVER,MOISTURE SENSOR
61	5303309493	BRACKET,GAS VALVE MTG
62	131243700	SCREW, PAN HEAD, 8-18AB X 0.375
64	134145200	PIPE,GAS
70	5303207409	VALVE GAS
71	5300622602	SOLENOID,SECONDARY COIL
72	5308015680	SOLENOID,BOOSTER COIL

73	5303211036	ORIFICE,NATURAL GAS ,SIZE 44
85	134287300	SHIELD,HEAT
86	134264800	PLATE,ADAPTER
87	131964400	CABLE TIE,PUSH MOUNT ,5.20 INCH
F15	134721400	THERMOSTAT,TEMP CONTROL
F25	134503900	BELT,DRYER DRIVE
F28	134196600	MOTOR,DRYER DRIVE ,WITH PULLEY
F31	134500500	POWER CORD,ELECTRIC SVCE
F67	131498500	VALVE,GAS SHUTOFF
F68	134185100	TAIL PIECE,COUPLING
F69	5308015194	UNION,HEX NUT
F74	134393700	IGNITER ASSY
F77	134197700	BURNER,GAS
F79	5303281135	SENSOR,RADIANT
F80	131712401	TUBE-BURNER
NI	134391000	LP CONVERSION KIT,NATURAL TO LP

GLGT1142FS0 TABLERO





GLGT1142FS0 TABLERO

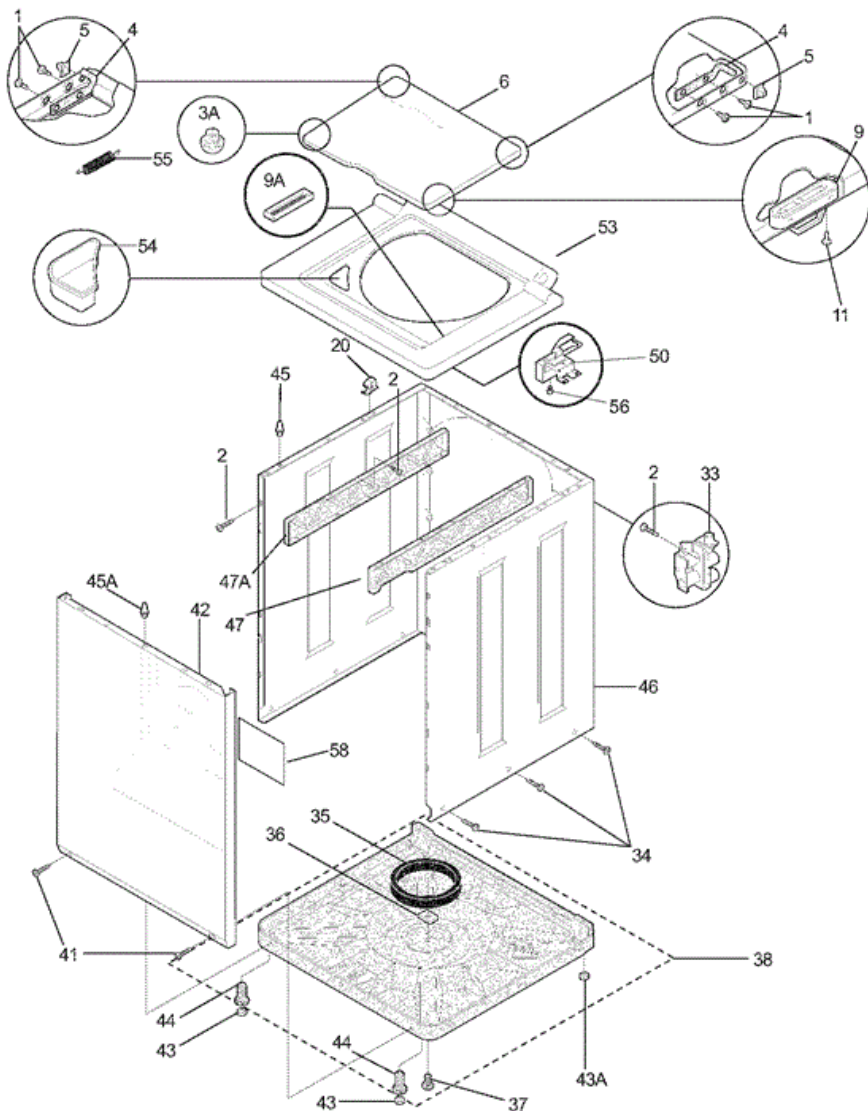
2	131168200	SCREW,PAN HEAD ,8-18B X 0.31
4	134034970	KNOB,ROTARY ,WHITE
11	5303283289	SCREW,CR PAN HEAD `8-32 X 0.250
17	134263400	BRACKET,CONTROL MOUNT
18	134284500	PANEL,TRIMPLATE ,CONSOLE FRONT
20	131288101	END CAP,WHITE ,LH
21	134043000	KNOB,DRYER TIMER ,WHITE/DARK GRAY
21A	134043200	KNOB,WASHER TIMER ,WHITE
22	3161259	SCREW,SWITCH MTG ,6-32 X 0 .19 ,(2) ,SEMS
24	134156200	SCREW,FLAT HEAD ,8-18AB X 0.44 ,QUAD DRIVE
25	131976804	INDICATOR,TIMER POINTER ,WHITE/DARK GRAY
27	131892100	SCREW,6-20B X 0.230
31	131288211	END CAP, WHITE, RH
32	3204357	CLIP-GROUNDING
34	131243700	SCREW, PAN HEAD, 8-18AB X 0.375
35	5308014350	CLIP,END CAP MTG ,U-TYPE
51	131587400	BRACKET,PC BOARD MTG. ,(2)
52	134216300	CONTROL BOARD,MOISTURE SENSOR
F1	131960800	TIMER,DRYER ,4 OFF
F10	134399700	SWITCH,START ,LCD
F12	134040800	SWITCH,ON/OFF ,WHITE ,ROUND
F15	134192400	SWITCH,WATER TEMP ,4 POSN ROTARY
F23	134605800	WIRING HARNESS,MAIN
F29	134769600	WIRING HARNESS,WASHER ,LOWER
F3	134136800	WIRING HARNESS,DRYER CONTROL
F38	5303286537	BUZZER
F39	134399901	SWITCH,DRYER TEMP ,LCD
F5	134487800	SWITCH,PRESSURE ,INFINITE
F6	134542600	WIRING HARNESS,WASHER CONTROL ,W/TEMP
F8	134237200	TIMER,WASHER ,5 OFF
NI	131209800	CLAMP,HOSE ,PRESSURE SWITCH
NI	134101400	TERMINAL BLOCK,MAIN
NI	5304426200	SCREW,TERMINAL BLOCK

Distribuidor Autorizado

SurteRápido.com

Venta de Refacciones
Electrodomesticas

GLGT1142FS0 GABINETE





GLGT1142FS0 GABINETE

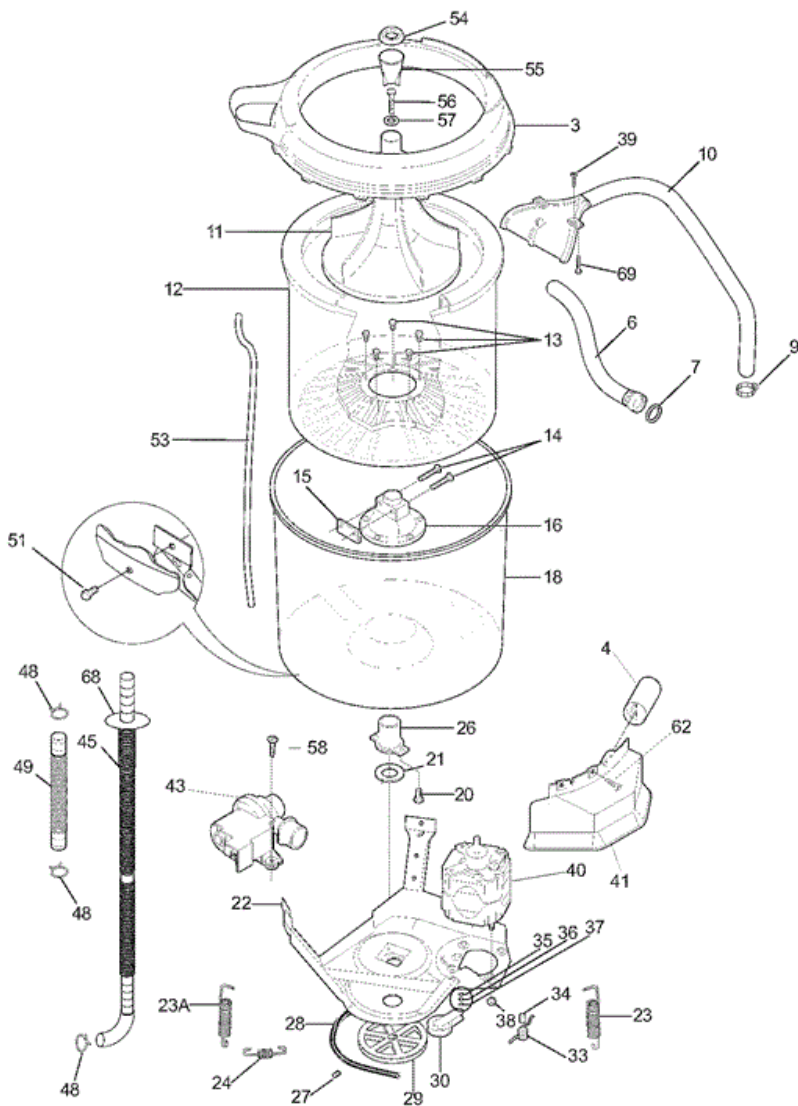
1	134203900	SCREW,PAN HD PHILLIPS ,6-32 X 0.337 ,DOG POINT
2	131168200	SCREW,PAN HEAD ,8-18B X 0.31
4	3205250	HINGE BAR
5	5303208743	GROMMET,HINGE
6	5303212872	LID,WASHER ,WHITE
9	131390000	LID STRIKE
11	3204368	SCREW,LID STRIKE MTG ,6-20B X 0.375
20	3204374	PIN,SLIDE ,SIDE TO TOP
34	131205500	SCREW,CAB BODY ,1/4-14 X 0.625 ,SIDE-TO-BASE
35	5308002385	SNUBBER RING
36	3204380	SHIPPING BLOCK
37	131658900	SCREW,SHIPPING ,1/4-20 X 1.001
38	5303311213	BASE ASSEMBLY
3A	134075500	BUMPER,LID ,FRONT
41	131258400	SCREW,10-16AB X 0.500
42	131104303	PANEL - FRONT - WHITE
43	131422100	PAD-LEVELING LEG
43A	131422200	PAD,SELF LVLG LEG ,REAR
44	5303309673	SCREW,LEVELING LEG ,WITH PAD
45	131346400	PIN,PANEL LOCATOR
45A	131346401	PIN,PANEL LOCATOR ,FRONT
46	134046600	CABINET ASSY,WHITE ,BACK AND SIDES
47	131106701	BRACKET-MARRIAGE-RH
47A	131091001	BRACKET-MARRIAGE-LH
53	131452510	PANEL,WASHER TOP ,WHITE
54	3204394	DISPENSER-BLEACH
55	5303212876	SPRING,LID ASSIST
56	131243700	SCREW, PAN HEAD, 8-18AB X 0.375
58	131744202	DAMPER,VIBRATION
9A	134768500	INSERT,STRIKER PLATE ,LID SLOT
F33	134210800	VALVE,WATER ,115 V
F50	134101800	LOCK,LID ,W/EXT SWITCH

Distribuidor Autorizado

SurteRápido.com

Venta de Refacciones
Electrodomesticas

GLGT1142FS0 TINAS



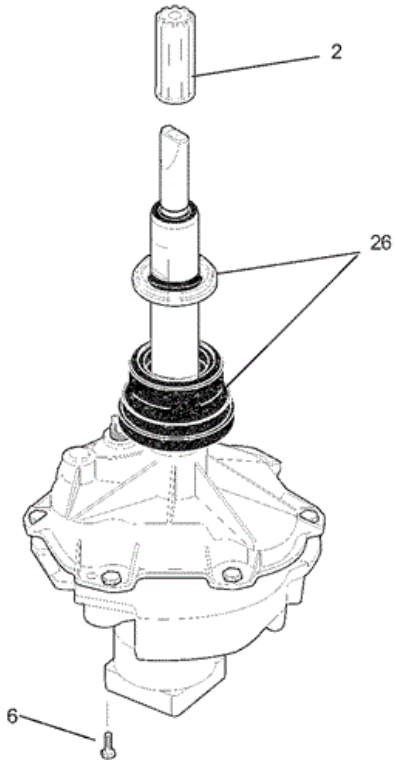
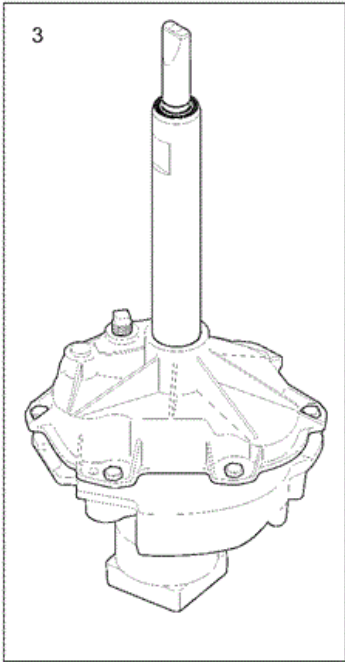


GLGT1142FS0 TINAS

3	131551102	COVER,SPLASH TUB ,WITH SEAL
6	5303271009	HOSE,INLET ,48 INCH LONG
7	5303161296	WASHER-INLET HOSE
9	5303304824	CLAMP
10	134211701	HOSE ASSY,ATC ,W/NOZZLE,CLAMP
11	131427200	AGITATOR
12	131221300	TUB-SPIN
13	5303283293	SCREW,TRUNION ,5/16-18 X 0.625 ,(5)
14	131192800	SCREW,LOCKPLATE ,5/16-18 X 1.625
15	5308001923	PLATE,LOCK
16	131545101	TRUNNION
18	131557201	TUB,SPLASH ,W/AIR DOME,BRG
20	3205150	SCREW,TUB BEARING ,8-12B X 0.750
21	5308002401	WASHER, SPIN BEARING, UPPER
22	131373610	LEG & DOME ASSY
23	5303208858	SPRING-VERTICAL (SHORT)
23A	5303208860	SPRING-VERTICAL
24	131373900	SPRING-HORIZONTAL
27	5303304825	SCREW,SET,HEX HD CUP ,5/16-18 X 0.85
33	3204425	SPRING,TORSIONAL
34	3204426	SLEEVE-IDLER PIVOT
35	3161433	RING-RETAINING
36	5303261031	WASHER-PIVOT SHAFT
37	5303161306	WASHER,SPRING TYPE
38	5303318708	NUT,HEX FLANGE ,MOTOR MOUNTING
39	131205100	SCREW,NO.8 PAN HEAD ,10-10B X 0.500 ,CR/SQ DRIVE
41	131513300	SHIELD,MOTOR ASSY ,W/SPEED NUTS
48	131306234	CLAMP,HOSE ,WIRE
51	134164400	SCREW,HEX WASHER HEAD ,5/16-18 X 0.625
53	5304401845	TUBE,PRESSURE ,VINYL
54	131266800	CAP-DISPENSER
55	131206100	CUP-DISPENSER
56	131468900	SCREW,AGITATOR MTG ,5/16-18 X 1.250

57	131339600	SPACER,AGITATOR MTG ,RUBBER
58	134160900	SCREW,WASHER HD ,10-16AB X 0.75
62	131258400	SCREW,10-16AB X 0.500
68	131707800	RING-DRAIN HOSE
69	131731500	FASTENER-RATCHET
F26	3204405	BEARING-OUTER TUB
F28	134511600	V-BELT,WASHER DRIVE ,STANDARD 4L
F29	131498301	PULLEY,XMSN DRIVE
F30	131862900	IDLER ARM ASSY,VAW ,WITH PULLEY
F4	131212301	CAPACITOR,MOTOR
F40	134159500	MOTOR,3/4 HP,2 SPEED ,WITH PULLEY
F43	134740500	PUMP,DRAIN
F45	134592700	HOSE,DRAIN
F49	131494800	HOSE-PUMP TO TUB
NI	131453000	BUSHING,SNAP-IN
NI	131663500	CUSHION,DRAIN HOSE ,BASE
NI	131901400	Â· SEAL,SPLASH COVER
NI	134261300	CLIP,DRAIN HOSE ,PUSH-MOUNT
NI	134745300	CLIP,DRAIN HOSE
NI	5303212877	INSERT,SPRING ADJUSTER ,VERTICAL
NI	5303309503	CLIP,DRAIN HOSE ,BACK SHEET

GLGT1142FS0 TRANSMISION





GLGT1142FS0 TRANSMISION

6	134197900	SCREW,HEX WASHER HEAD ,1/4-20 X 0.437
F2	134418700	HUB,DRIVE ,AGITATOR
F26	5303279394	SEAL ASSY,TUB , TRANSMISSION
F3	134736400	TRANSMISSION,SERVICE KIT
NI	134810500	ENERGY GUIDE