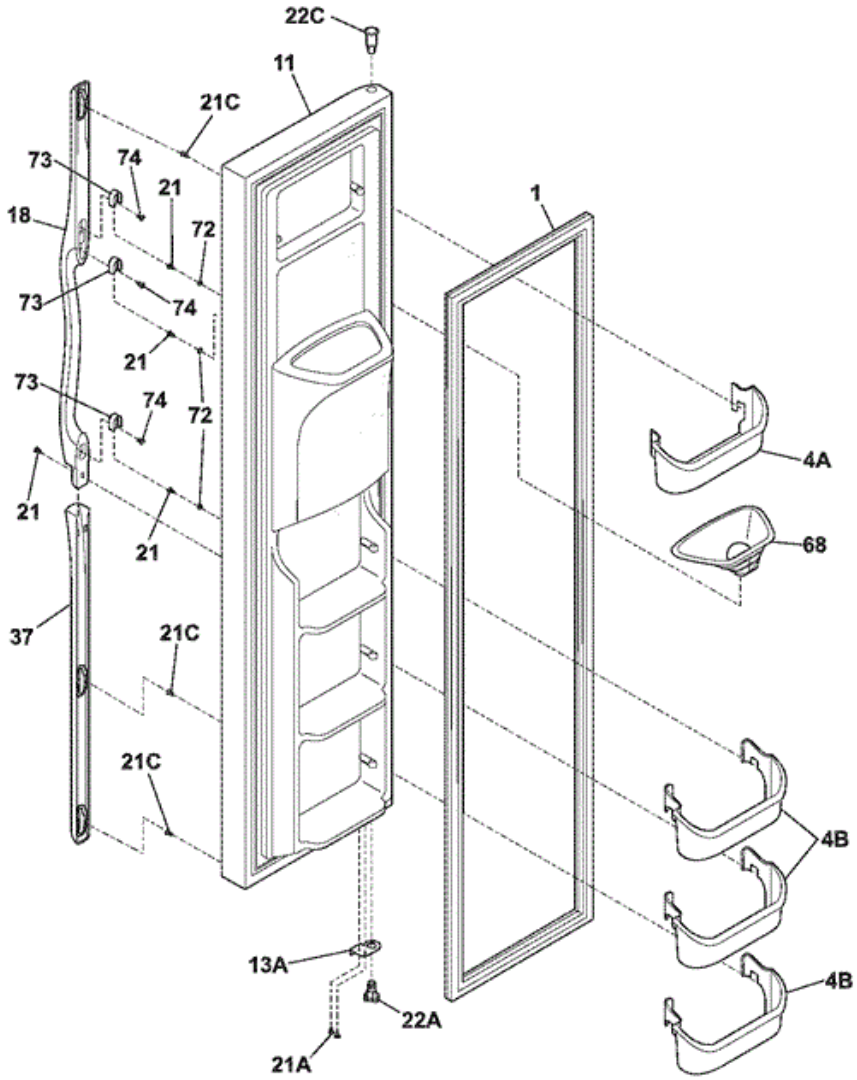


GLHS36EEQ1 FREEZER DOOR

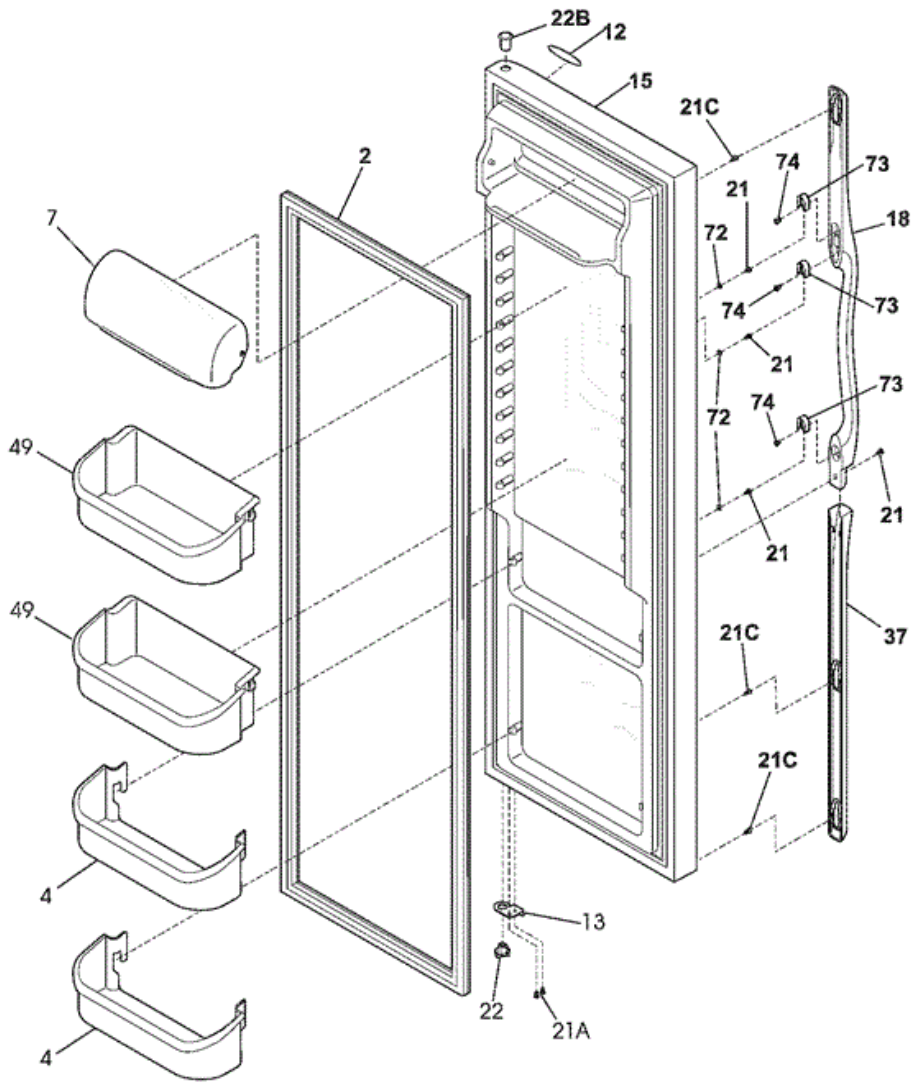




GLHS36EEQ1 FREEZER DOOR

11	240451826	DOOR-FRZR,BISQUE ,COMPLETE ASSY
13A	240537104	DOOR STOP,BISQUE,FRZR
18	240359109	HANDLE-DOOR,BISQUE
21	218781100	SCREW,PAN HEAD ,8-18 X 0.625
21A	5308016566	SCREW,HEX WASHER HEAD ,8-15A X 0.625
21C	240521302	SCREW,NO.8-18 X 3/4
22A	240328202	BEARING-HINGE(FRZ),CLOSER
22C	240328402	BEARING-HINGE,NATURAL ,UPPER
37	240359204	TRIM-HANDLE,30.13`` ,BISQUE ,LOWER
4A	240367301	BIN-DOOR,FRZR-UPPER
4B	240359001	BIN-DOOR
68	241525101	CHUTE-ICE
72	240421701	BUTTON-HANDLE MTG,DOVETAIL
73	218396700	BLOCK-HANDLE MTG, DOVETAIL
74	215503200	SCREW,CR PAN HD `10-16 X 0.500
F1	241569804	GASKET-FRZR DOOR,WHITE ,MAGNETIC
NI	240352102	CONNECTOR-WATER,STRAIGHT
NI	240552102	HARNESS-WIRING,DOOR
NI	5303918256	DISPENSER HEATER KIT

GLHS36EEQ1 REFRIGERATOR DOOR

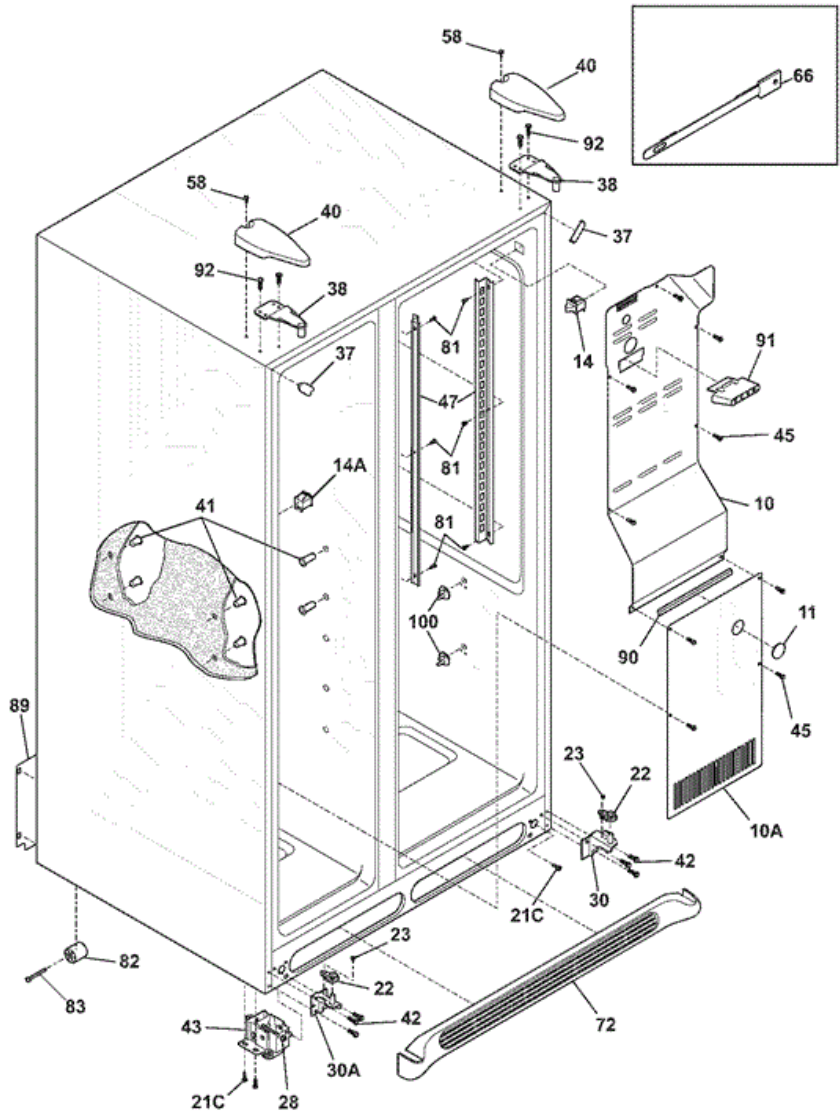




GLHS36EEQ1 REFRIGERATOR DOOR

4	240363702	BIN-DOOR,2-LITER
7	240338303	DOOR,DAIRY ,CLEAR
12	240449709	NAMEPLATE,BISQUE
13	240537103	DOOR STOP,BISQUE,REF
15	240451917	DOOR-REFR,BISQUE ,COMPLETE ASSY
18	240359104	HANDLE-DOOR,BISQUE
21	218781100	SCREW,PAN HEAD ,8-18 X 0.625
21A	5308016566	SCREW,HEX WASHER HEAD ,8-15A X 0.625
21C	240521302	SCREW,NO.8-18 X 3/4
22	240328201	BEARING-HINGE(REF),CLOSER
22B	240328401	BEARING-HINGE(REF),NATURAL ,UPPER
37	240359204	TRIM-HANDLE,30.13`` ,BISQUE ,LOWER
49	240430303	BIN-DOOR,GALLON
72	240421701	BUTTON-HANDLE MTG,DOVETAIL
73	218396700	BLOCK-HANDLE MTG ,DOVETAIL
74	215503200	SCREW,CR PAN HD `10-16 X 0.500
F2	241569803	GASKET-REFR DOOR,WHITE ,MAGNETIC

GLHS36EEQ1 CABINET



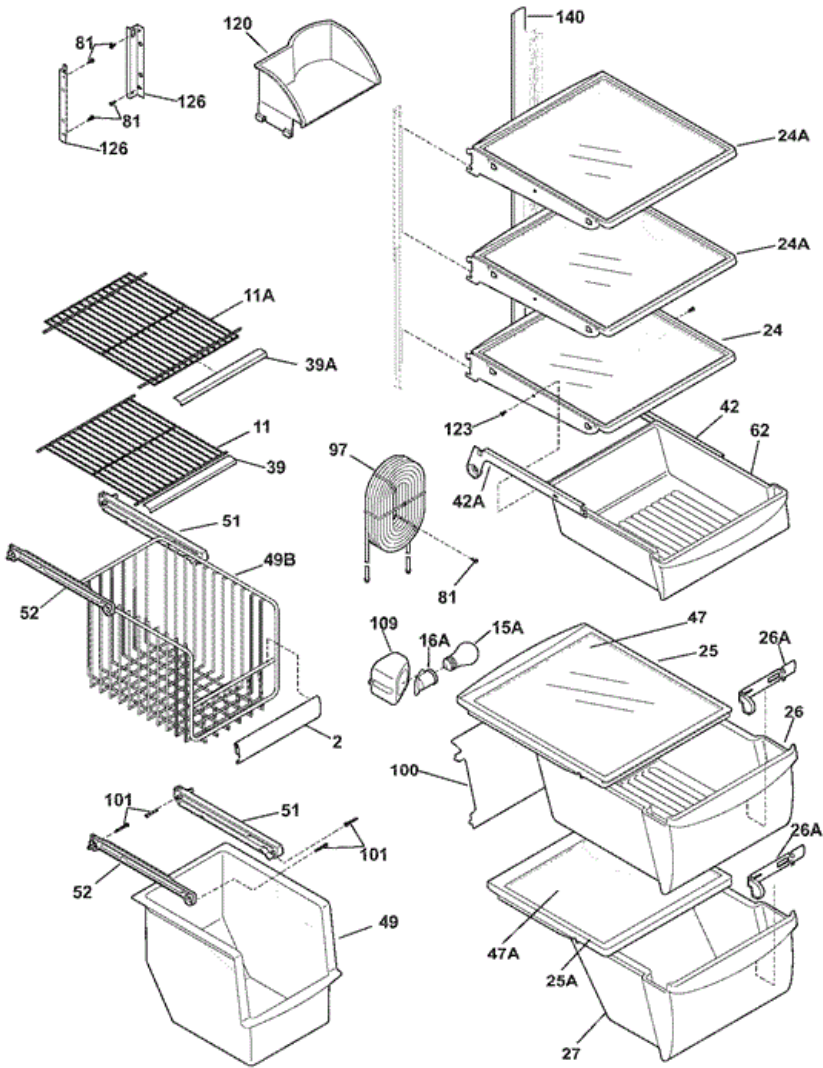


GLHS36EEQ1 CABINET

10	240435905	COVER-AIR DUCT
10A	240475906	COVER-EVAP COIL,LOWER
11	5303208309	PLUG-HOLE, FACTORY TEST
21C	218252200	SCREW,NO.8 TRUSS HD ,10-32CA X 0.500
22	240457701	PLATE-DOOR CLOSER
23	240402701	SCREW-NO.10-32 X 1/4 FLAT HD
28	240335501	BOLT-ROLLER ADJ,HEX WASHER HEAD
30	241603701	BRACKET-LOWER HINGE, REF
30A	241603702	BRACKET-LOWER HINGE
37	240337604	TRIM-CABINET CORNER,BISQUE ,(2)
38	240327201	BRACKET-UPPER HINGE
40	240327006	COVER-UPPER HINGE,BISQUE
41	241550801	GROMMET-SHELF MTG,1.40` LONG
42	240578901	SCREW-HINGE MTG,HEX HEAD ,1/4-20 X 5/8
43	240335003	ROLLER ASSY,ADJUSTABLE ,FRONT ,(2)
45	241500301	SCREW,HEX WASHER HEAD ,8-18AB X 0.500
47	240349402	CHANNEL-SHELF MTG,SIDE ,(2)
58	218781100	SCREW,PAN HEAD ,8-18 X 0.625
66	5304424968	DAMPER COVER ASSY
72	240324403	GRILLE/KICKPLATE,BISQUE
81	5308016566	SCREW,HEX WASHER HEAD ,8-15A X 0.625
82	5304418225	ROLLER,COMPRESSOR BASE ,REAR ,(2)
83	5303316859	RIVET,FLAT HEAD ,1/4 OD X 1-3/4 ,ROLLER PIN
89	241574601	COVER ACCESS
90	218249807	SEAL-COIL COVER
91	240380101	DUCT-ICE MAKER
92	216850900	SCREW,HEX WASHER HD ,1/4 X 7/8 ,HINGE MTG
100	240350802	SUPPORT,CRISPER COVER ,REAR ,(4)
100	240423701	SUPPORT,CRISPER COVER ,FRONT ,(4)
F14	240505801	SWITCH-LIGHT/LAMP
F14A	241547901	SWITCH-LIGHT/LAMP,FRZR DOOR
NI	240396801	CLAMP,TUBE/WIRING ,NYLON ,BLACK/NATURAL
NI	240479601	PLUG,BUTTON ,CAB LINER HOLES ,(2)

NI	240481601	SHIM-LOWER HINGE
NI	240518802	PIN-PUSH,PUSH-IN ,PLASTIC
NI	241550701	GROMMET-SHELF MTG, .96`` LONG
NI	5304414035	PAINT, TOUCH-UP ,BISQUE

GLHS36EEQ1 SHELVES



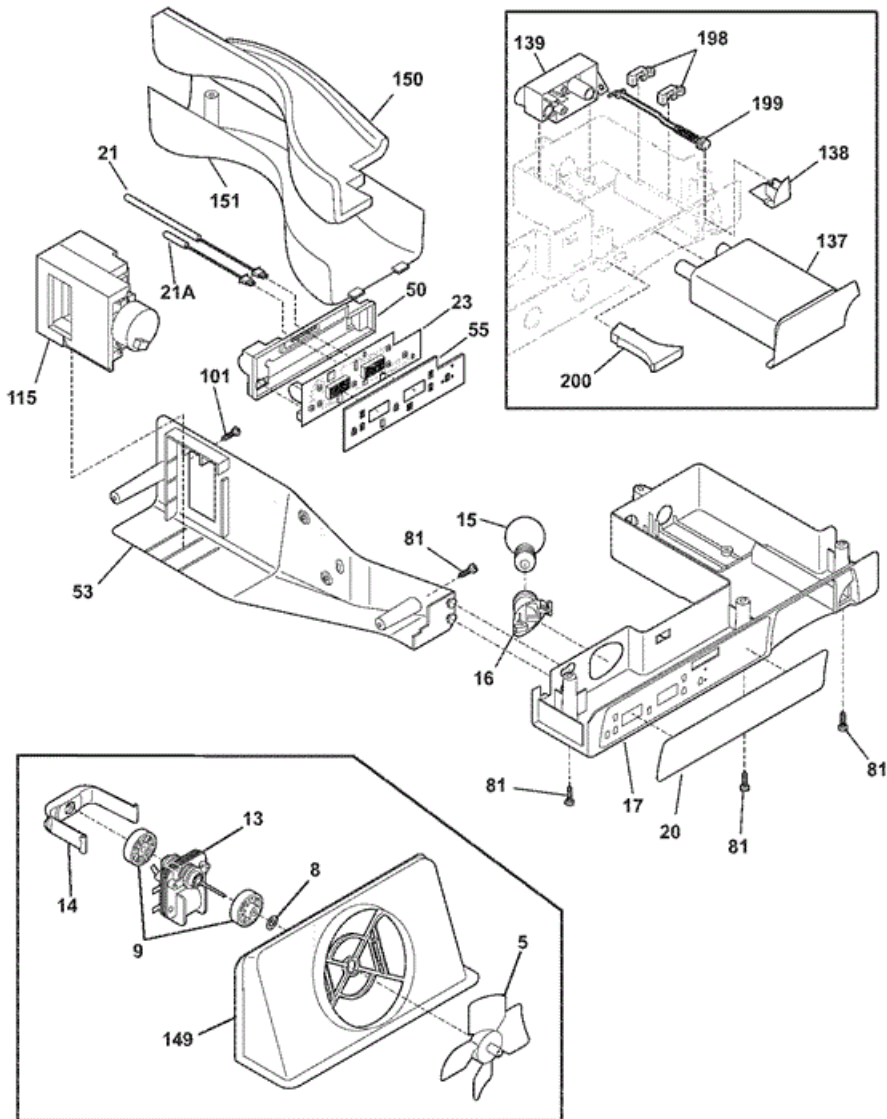


GLHS36EEQ1 SHELVES

2	241510603	TRIM-BASKET
11	240338801	SHELF-FREEZER,FLIP-UP
24	240355201	SHELF-``SPILL-SAFE``,FIXED ,(1)
25	240354502	COVER-CRISPER PAN,UPPER
26	240354705	PAN-CRISPER,UPPER
27	240354805	PAN-CRISPER,LOWER
39	240430705	TRIM-SHELF,FRONT
42	240356501	TRACK,MEAT PAN HANGER ,RH
47	240350613	INSERT-PAN COVER,GLASS
49	240564301	BASKET-SLIDING
51	240343002	HANGER-BASKET,RH
52	240343102	HANGER-BASKET,LH
62	240355505	PAN-MEAT
81	5308016566	SCREW,HEX WASHER HEAD ,8-15A X 0.625
97	240545303	WATER TANK ASSY,COILED TUBING ,FRONT FILTER
100	240326301	COVER-WATER TANK
101	218493100	SCREW,HEX WASHER HEAD `8-18AB X 1-3/4
109	240351301	BASE-CRISPER LIGHT SOCKET
11A	240338703	SHELF-FREEZER,FIXED WIRE
120	240342901	SHELF-ICE CREAM
123	215005100	SCREW,HANGER/RLR MTG ,8-10 X 0.438
126	241630701	CHANNEL,AUGER MTG ,LH
126	241630702	CHANNEL,AUGER MTG ,RH
140	240430501	CHANNEL,WTR TUBE COVER
15A	241555401	LIGHT BULB
16A	241513901	SOCKET-LIGHT
24A	240355204	SHELF-``SPILL-SAFE``,FIXED ,(3)
25A	240354602	COVER-CRISPER PAN,LOWER
26A	240351101	CONTROL-HUMIDITY
39A	240430701	TRIM-SHELF,FRONT
42A	240349701	HANGER-MEAT PAN,LH
42A	240349901	BLOCK-MEAT PAN RAIL,LH
42A	240350001	Â· SPRING-MEAT PAN RAIL

47A	240350614	INSERT-PAN COVER, GLASS
49B	240530503	BASKET-SLIDING, UPPER , FULL
F16A	241537602	HARNESS-WIRING
NI	240349801	CLIP-SLIDE, PAN-CRISPER
NI	240362101	CLIP-SLIDE, COVER-CRISPER

GLHS36EEQ1 CONTROLS





GLHS36EEQ1 CONTROLS

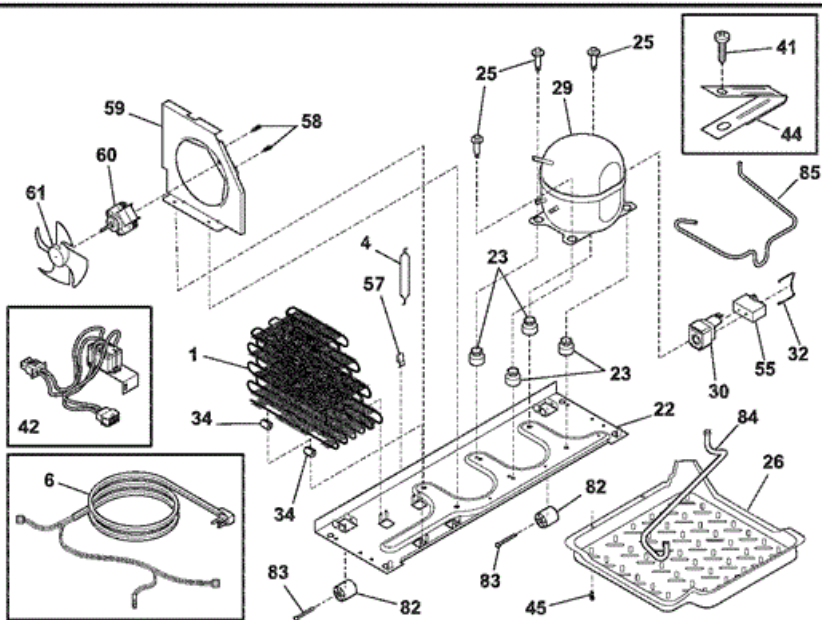
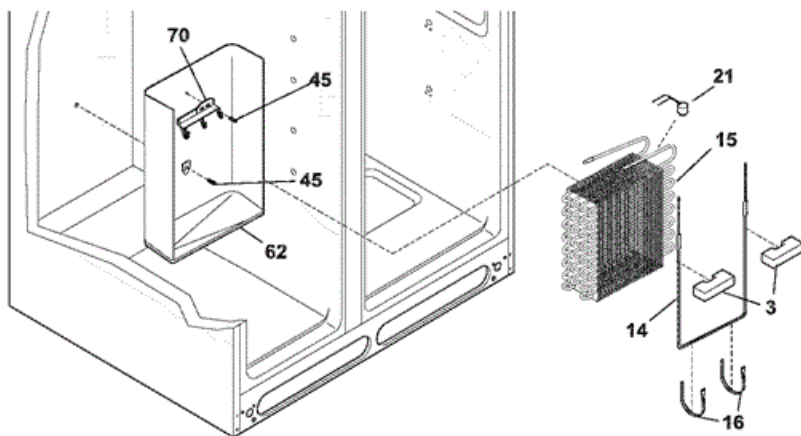
8	215474201	WASHER, ``SLINGER`` ,NYLON ,EVAP FAN SHAFT
9	241563601	BUSHING-MOTOR MTG,(2)
13	240369702	MOTOR-EVAP FAN
14	241517701	CLIP, EVAP FAN MOTOR
15	241555401	LIGHT BULB
16	241513901	SOCKET-LIGHT
17	241633401	BOX-CONTROL,FRONT
20	241603910	LABEL-CONTROL BOX
21	241608401	THERMISTOR-REFR
50	241609001	HOUSING-CONTROL
53	241608901	BOX-CONTROL
55	241609101	COVER-HOUSING
81	5308016566	SCREW,HEX WASHER HEAD ,8-15A X 0.625
101	241637201	SCREW-HEX HD NO.8AB X 1 ¼
115	241600902	DAMPER ASSY,W/SEAL
137	240396401	FILTER,WATER ,CARBON CASSETTE ,FRONT
138	240397301	BUTTON-FILTER RELEASE
139	240396002	BASE-WATER FILTER
149	241563401	SHROUD-FAN ORFICE
150	241505101	INSULATION-WATER TUBE COVER
151	241505001	COVER-WATER TUBE
198	240397401	RETAINER
199	240397501	ROD
199	240398401	SPRING-FILTER RELEASE ROD
200	240397601	LIGHT PIPE
21A	241608501	THERMISTOR-FRZR
F137	240396701	BYPASS,WATER FILTER ,OPTIONAL PART
F139	240526901	O-RING,WTR FILTER BASE
F149	241528305	SEAL,SHROUD
F23	241591811	CONTROL,ELECTRONIC
F5	5308000010	FAN BLADE,RED ,EVAPORATOR FAN
NI	241628701	HARNES-WIRING,CONTROL BOX
NI	5303001259	SCREW-TIMER MTG,PAN HD ,6-20 X 0.438 ,(2)

Distribuidor Autorizado

SurteRápido.com

Venta de Refacciones
Electrodomesticas

GLHS36EEQ1 SYSTEM





GLHS36EEQ1 SYSTEM

1	240333602	CONDENSER
3	218679606	BLOCK-EVAP COIL,STYROFOAM ,(2)
6	241586801	HARNESS-WIRING,MACHINE COMPT
16	5308000110	STRAP-EVAP/HEATER,ALUMINUM ,(2)
22	240330007	BASE-COMPRESSOR MTG
23	218513300	GROMMET-COMPR MTG,(4)
25	240491501	SCREW-COMPRESSOR MTG,1/4-28 X 1.16
26	241637401	PAN-DEFROST
32	218973501	CLAMP,ELEC CONT MTG ,COMPRESSOR
34	240405201	GROMMET,RUBBER ,BLACK ,COND TUBE/WIRE
41	240555001	SCREW-NO.8-32 X 3/8
44	215174700	CLAMP-SERVICE CORD, STRAIN RELIEF, GALV STEEL
45	5308016566	SCREW,HEX WASHER HEAD ,8-15A X 0.625
55	218909913	CAPACITOR-RUN,220 VAC ,15 MICROFARAD
57	240542601	CLIP-WIRING HARNESS
58	218897002	SCREW,HEX WASHER HEAD ,8-32 X 0.375
59	5304430246	BRACKET-COND MOTOR ASSY
62	240429401	TROUGH-DRAIN
70	218990801	BRACKET-EVAP/CVR MTG
82	5304418225	ROLLER,COMPRESSOR BASE ,REAR ,(2)
83	5303316859	RIVET,FLAT HEAD ,1/4 OD X 1-3/4 ,ROLLER PIN
84	5304421068	TUBE-DRAIN,LOWER
85	240346201	TUBE-CONNECTOR,SUCTION
F14	5303918253	DEFROST HEATER KIT
F15	5303918286	EVAPORATOR KIT
F21	5303918214	THERMOSTAT-DEFROST,KIT
F29	5303918315	COMPRESSOR,W/ELECTRICALS
F30	241524605	STARTER
F4	218944001	DRIER-FILTER,R134A SYSTEM
F42	241661201	RELAY
F60	240525402	MOTOR,CONDENSOR FAN
F61	240524101	FAN BLADE,GALV STEEL ,CONDENSER FAN
NI	218252200	SCREW,NO.8 TRUSS HD ,10-32CA X 0.500

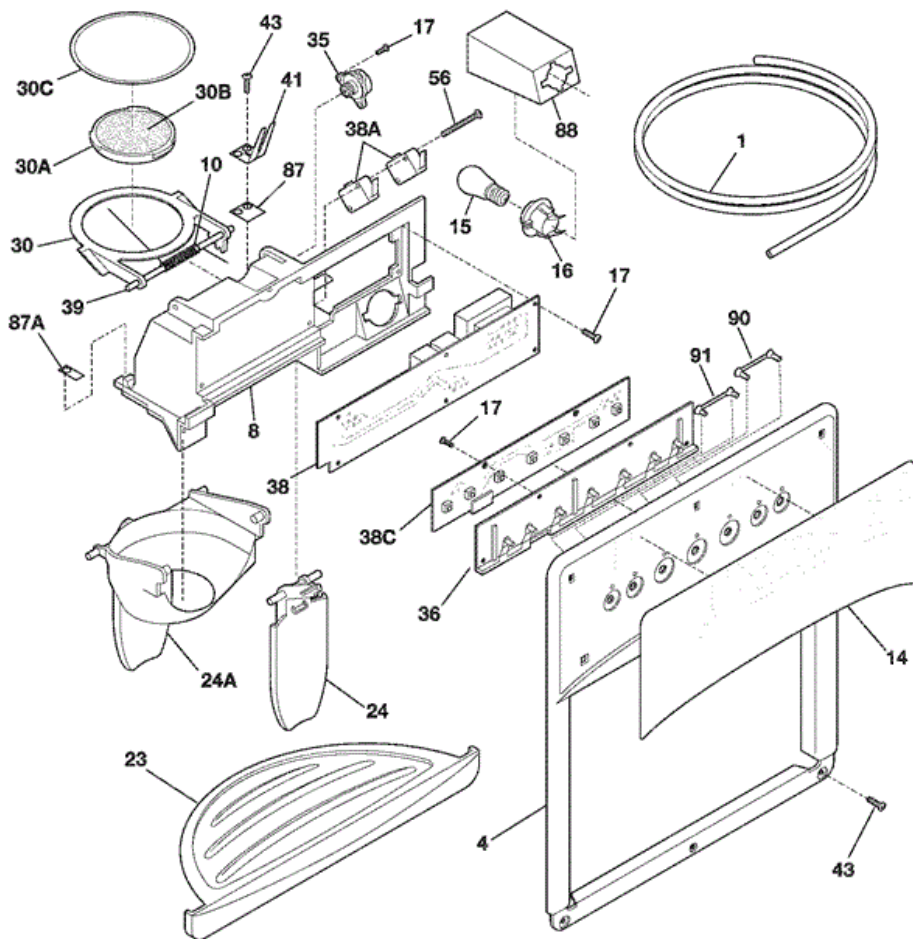
NI	240346701	TAPE-FOAM SEAL,SHROUD
NI	240359401	SCREW-FAN SHROUD,(2)
NI	240449601	HARNESS-WIRING
NI	241628701	HARNESS-WIRING,CONTROL BOX
NI	5303918213	HEAT EXCHANGER KIT,SUCTION LINE
NI	5303918222	HOT TUBE REPAIR KIT,SERVICE

Distribuidor Autorizado

SurteRápido.com

Venta de Refacciones
Electrodomesticas

GLHS36EEQ1 ICE & WATER DISPENSER





GLHS36EEQ1 ICE & WATER DISPENSER

1	218976409	TUBE-WATER-DOOR
4	5304421848	COVER-MODULE,BISQUE
8	5304421849	MODULE-DISPENSER
10	5304426649	SPRING-TORSION
14	240323975	LABEL-MODULE COVER,BISQUE
15	5304421616	LIGHT BULB
16	240548901	SOCKET-LIGHT
17	5304421619	SCREW
23	241649002	DRIP TRAY,BISQUE
24	5304422027	ACTUATOR-WATER,BISQUE
24A	5304422028	ACTUATOR-ICE,BISQUE
30	5304421628	DOOR ASSY-ICE CHUTE
30A	5304421624	DOOR CENTER
30B	5304421625	INSULATION-DOOR
30C	5304421629	DOOR SEAL
35	5304421620	DAMPER-ROTARY
36	5304421824	CARRIER
38	5304431764	PC BOARD-POWER
38A	5304421617	SWITCH-MICRO,SINGLE POLE ,DOUBLE THROW
38C	5304430811	HARNESS-RIBBON CABLE
38C	5304431856	BOARD-CONTROL
39	5304421627	PIN-HINGE
41	5304421829	SPRING-ACTUATOR
43	215296300	SCREW,PLASK H/L ,NO.6 X 3/8
56	5304421830	SCREW-MICRO SWITCH,PAN HEAD
87	5304421622	BEARING PLATE
87A	5304421621	BEARING PLATE
88	5304421615	SHIELD-LIGHT
90	5304421831	LIGHT PIPE,REFLECTOR
91	5304421850	LIGHT PIPE,REFLECTOR ,SHORT
NI	218976901	TUBE-WATER INLET,INLET VALVE ,TO ICE MAKER
NI	218976903	TUBE-WATER INLET,INLET VALVE ,TO FILTER
NI	218976907	TUBE-WATER INLET,VALVE TO DOOR

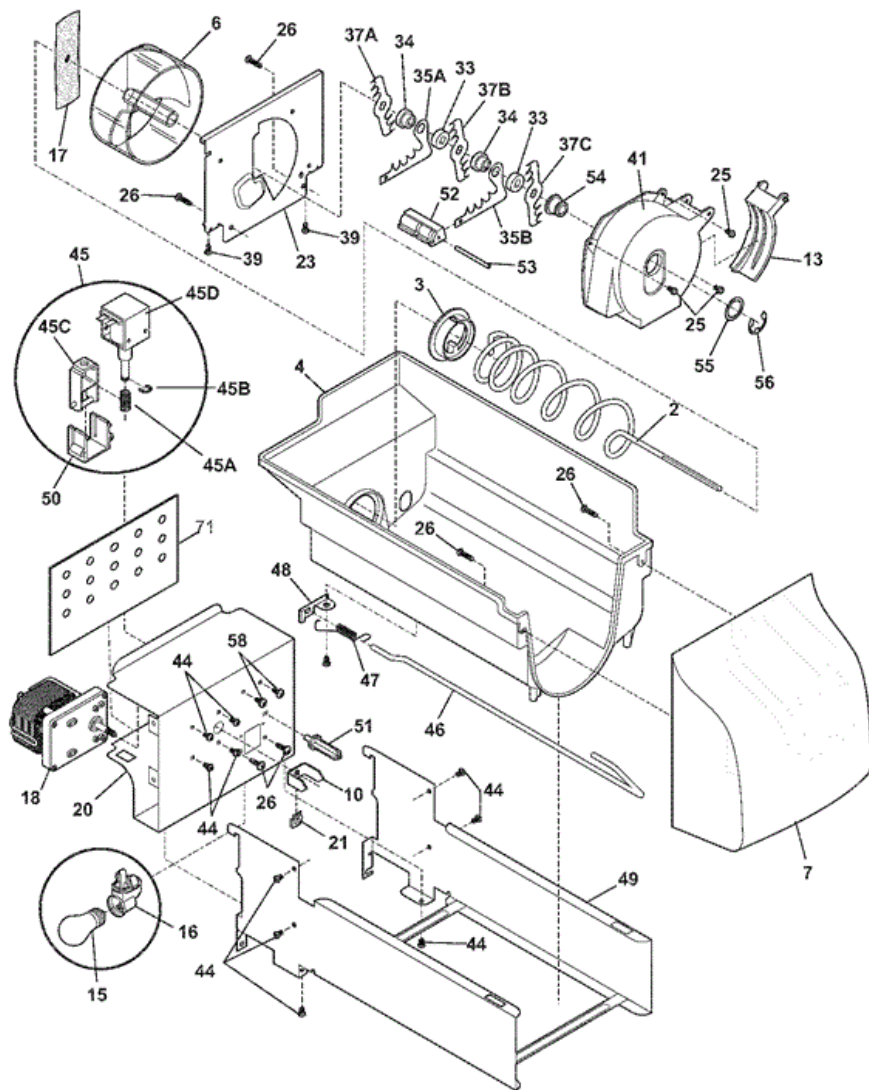
NI	240363401	SCREW-NO.8-18 X 1/2,NO.6 HD PLASK
NI	240561701	SEAL-WATER INLET,INLET VALVE ,TO ICE MAKER
NI	5303918256	DISPENSER HEATER KIT
NI	5304426535	INSULATOR-ELECTRICAL

Distribuidor Autorizado

SurteRápido.com

Venta de Refacciones
Electrodomesticas

GLHS36EEQ1 ICE CONTAINER





GLHS36EEQ1 ICE CONTAINER

2	5304428402	AUGER-ICE
3	5304440343	CAM-DRIVE
4	218815300	CONTAINER-ICE,BUCKET ONLY
6	5304404346	DRUM-ICE DISP
7	5304422805	FRONT-ICE CONTAINER
10	241624801	BAR-DRIVE
13	5304404359	GATE
15	241555401	LIGHT BULB
16	241559801	SOCKET-LIGHT
17	5304404345	DRIVE BLADE
20	5304404332	COVER-MOTOR
21	215285100	NUT-DRIVE
23	5304404347	PLATE-FRONT
25	5304404362	SCREW,HEX WASHER HEAD ,8-32T X 0.375
26	215503200	SCREW,CR PAN HD `10-16 X 0.500
33	5304404351	SPACER
34	5304404349	SPACER
35A	5304404353	FIXED BLADE,ROUND
35B	5304404352	FIXED BLADE,SQUARE
37A	5304404348	BLADE,CRUSHER NO.1
37B	5304404350	BLADE,CRUSHER NO.2
37C	5304404356	BLADE-CRUSHER,NO.3
39	5304404365	SCREW
41	5304404358	HOUSING-CRUSHER
44	218359200	SCREW,PAN HEAD ,8-32 X 0.250
45A	5304406816	SPRING-SOLENOID
45B	5304406817	E-RING-SOLENOID
45C	5304406818	ACTUATOR-SOLENOID
45D	5304406819	SOLENOID
46	5304404341	CONTROL ROD
47	5304404342	SPRING-CONTROL ROD
48	5304404340	BRACKET-CONTROL ROD
49	5304404880	RAIL ASSY

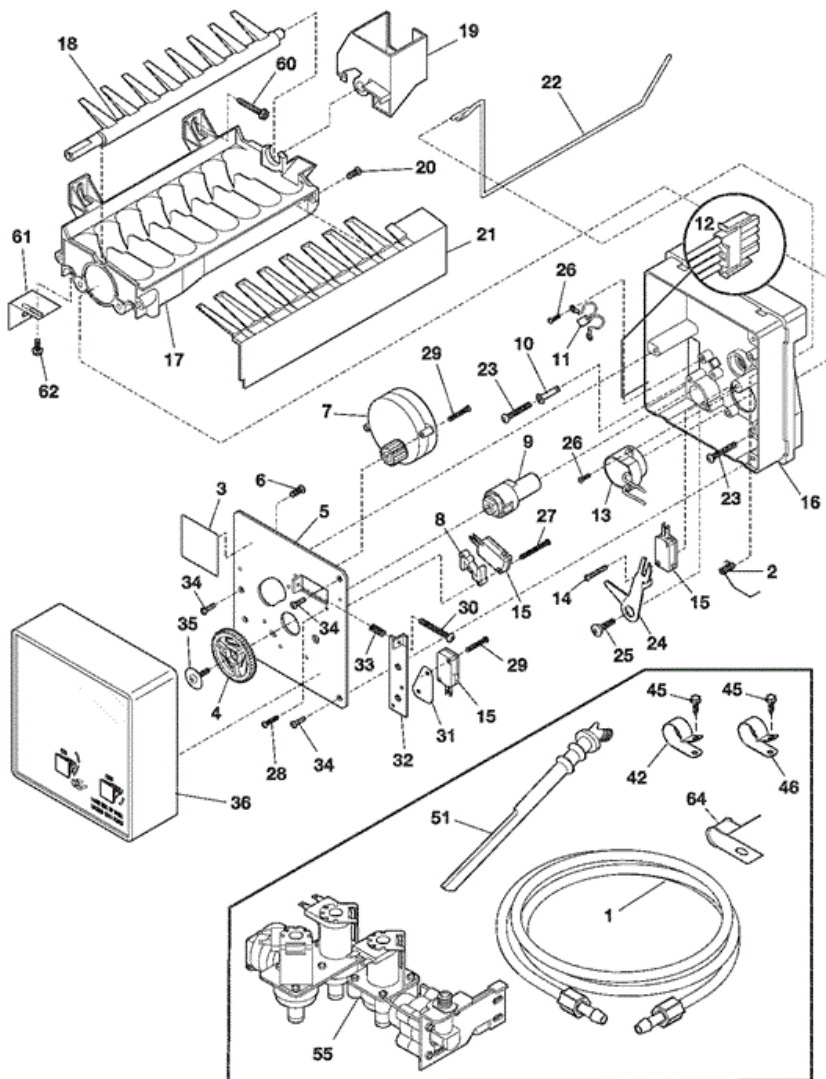
50	5304404334	GUIDE-SOLENOID
51	5304404336	ROTATION STOP
52	5304404354	SPACER-FIXED BLADES
53	5304404355	PIN-SPIRAL, FIXED BLADES
54	5304404357	NUT-AUGER
55	5304404360	WASHER
56	5304404361	E-RING
58	5304404331	SCREW-SOLENOID
71	241577301	COVER-REAR AUGER
F18	5304404330	MOTOR-AUGER
F45	5304404333	SOLENOID ASSY
NI	240323806	ICE CONTAINER ASSY, W/MOVING PARTS
NI	240352601	WIRING HARNESS, INTERNAL, WITH PLUG
NI	5304404364	SCREW-BRACKET

Distribuidor Autorizado

SurteRápido.com

Venta de Refacciones
Electrodomesticas

GLHS36EEQ1 ICE MAKER





GLHS36EEQ1 ICE MAKER

1	218976409	TUBE-WATER-DOOR
2	5304420650	SPRING,SHUT-OFF ARM
3	3206299	LABEL,ID PLATE
4	3206301	GEAR
5	3206303	PLATE-MOUNTING
6	3206305	SCREW-GROUND WIRE,8-32 X 0.250
8	3206312	SPACER-HOLD SWITCH
9	3206313	CAM
10	3206315	CLAMP
14	5304420652	SCREW,4 X 0.750 ,SWITCH MTG.
16	5304420653	SUPPORT,PHENOLIC
18	3206328	EJECTOR-ICE
19	3206330	BEARING & INLET
20	5304408581	SCREW,8-32 X 0.375
21	3206332	ICE STRIPPER
22	3206333	SHUT-OFF ARM
23	5304408582	SCREW,8-32 X 0.875 ,MOLD-TO-SUPPORT ,(3)
24	3206335	LEVER-ARM
25	3206336	SCREW,8-18 X 0.562 ,LEVER ARM/SPRT
26	5304420654	SCREW-THERMO/SPRT 4-24 X 0.375 `(4)
27	3206338	SCREW,4-40 X 1.000 ,HOLD SWITCH MTG ,(2)
28	3206339	SCREW-TIMING STOP 4-40 X 0.375
29	3206323	SCREW,4-24 X 0.750 ,(6)
30	3206341	SCREW-TIMING ADJ,8-32 X 1.000
31	3206342	INSULATOR
32	3206343	PLATE-VALVE SWITCH
33	5304408583	SPRING-TIMING ADJ
34	5304420655	SCREW,PLAZSCREW ,8-10 ,(3)
35	5304408585	SCREW
36	3206347	COVER-ICE MAKER
42	5303001199	CLAMP-WIRING HARNESS,STRAIN RELIEF
45	5308016566	SCREW,HEX WASHER HEAD ,8-15A X 0.625
46	5303001193	CLAMP,.50 ID ,STEEL ,WATER TUBE

51	240387101	TUBE-WATER,ICE MOLD FILL ,EXTENSION
60	5303207328	SCREW,HEX WASHER HEAD ,8-15A X 1.000 ,(2)
61	218721500	BRACKET-LEVELING, ICE MAKER
62	218737900	SCREW-IM BRKT MTG,HEX WASHER HEAD `8-32D
64	5303001549	CLAMP,0.31 ID ,STEEL ,COPPER WTR LINE
F11	3206319	THERMAL CUTOFF,ICE MAKER ,COMPLETE ASSY
F12	240352601	WIRING HARNESS,INTERNAL ,WITH PLUG
F13	3206322	THERMOSTAT ASSY,ICE MAKER
F15	3206324	SWITCH,(3)
F17	5303320545	MOLD-ICE MAKER, RADIUS CUBE, WITH HEATER
F55	240531101	VALVE-WATER,TRIPLE SOLENOID
F7	3206306	MOTOR-ICE MAKER
NI	218515402	CLIP,(2) ,TUBE MTG.
NI	218709100	SCREW,HEX HEAD ,10-32 X 0.500
NI	218888001	ADAPTER-WATER SUPPLY,NUT & SLEEVE
NI	218976901	TUBE-WATER INLET,INLET VALVE ,TO ICE MAKER
NI	218976903	TUBE-WATER INLET,INLET VALVE ,TO FILTER
NI	218976907	TUBE-WATER INLET,VALVE TO DOOR
NI	240352411	ICE MAKER,RADIUS CUBE ,115 V ,NO INSTL PARTS
NI	240363601	SCREW-SHOULDER
NI	240542901	CAP-WATER VALVE
NI	240561701	SEAL-WATER INLET,INLET VALVE ,TO ICE MAKER
NI	5308000133	CLAMP,NYLON ,.625 ID