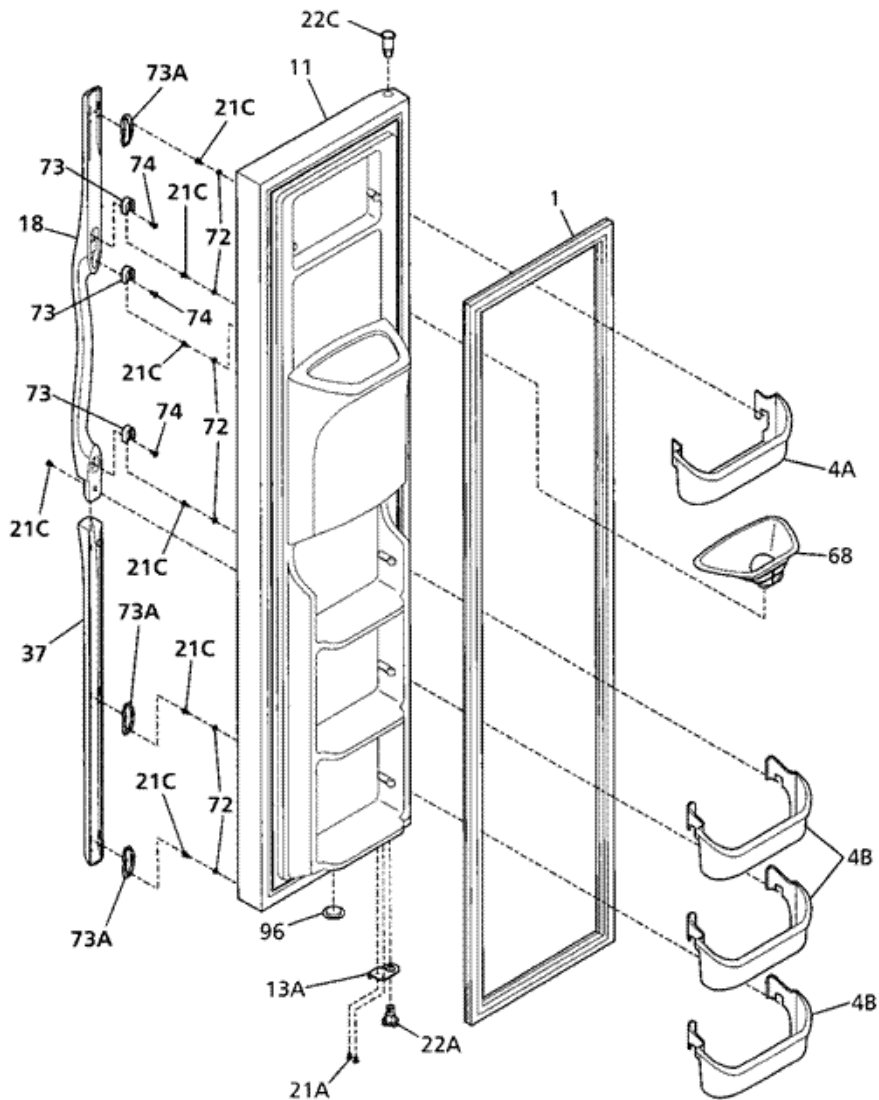


Distribuidor Autorizado

SurteRápido.com

Venta de Refacciones
Electrodomesticas

GLRS264ZAW1 FREEZER DOOR

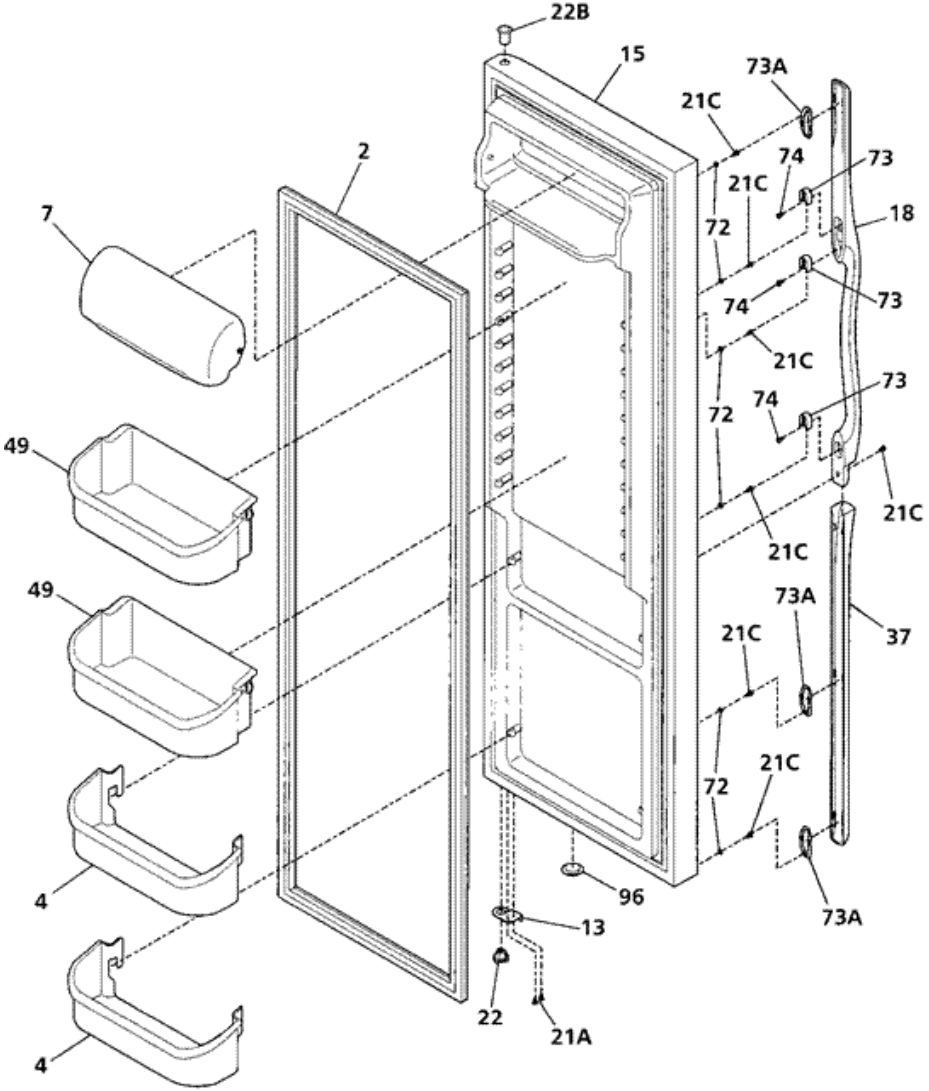




GLRS264ZAW1 FREEZER DOOR

| | | |
|----|-----------|--|
| 1 | 241786002 | GASKET-FRZR DOOR,WHITE ,MAGNETIC (S/P) |
| 4 | 240334202 | BIN-DOOR,FRZR-UPPER (S/P) |
| 4 | 240351602 | BIN-DOOR (S/P) |
| 11 | 241668112 | PANEL-FRZR DOOR,WHITE ,COMPLETE ASSY (S/P) |
| 13 | 240537102 | DOOR STOP,WHITE ,FRZR (S/P) |
| 18 | 241934304 | HANDLE-DOOR (S/P) |
| 21 | 218252200 | SCREW,8 TRUSS HD ,10-32CA X 0.500 (S/P) |
| 21 | 218781100 | SCREW,PAN HEAD ,8-18 X 0.625 (S/P) |
| 22 | 240328202 | BEARING-HINGE,CLOSER (S/P) |
| 22 | 240328402 | BEARING-HINGE,UPPER (S/P) |
| 37 | 241927001 | TRIM-HANDLE,30.13`` ,WHITE ,LOWER (S/P) |
| 68 | 240546802 | CHUTE-ICE (S/P) |
| 72 | 240421701 | BUTTON-HANDLE MTG,DOVETAIL (S/P) |
| 73 | 218396700 | BLOCK-HANDLE MTG,DOVETAIL (S/P) |
| 73 | 240339101 | PART OF HANDLE/TRIM DESCONTINUADO |
| 74 | 215503200 | SCREW,CR PAN HD ,10-16 X 0.500 (S/P) |
| 96 | 240345505 | PLUG-FOAM HOLE,WHITE (S/P) |

GLRS264ZAW1 REFRIGERATOR DOOR





**GLRS264ZAW1 REFRIGERATOR
DOOR**

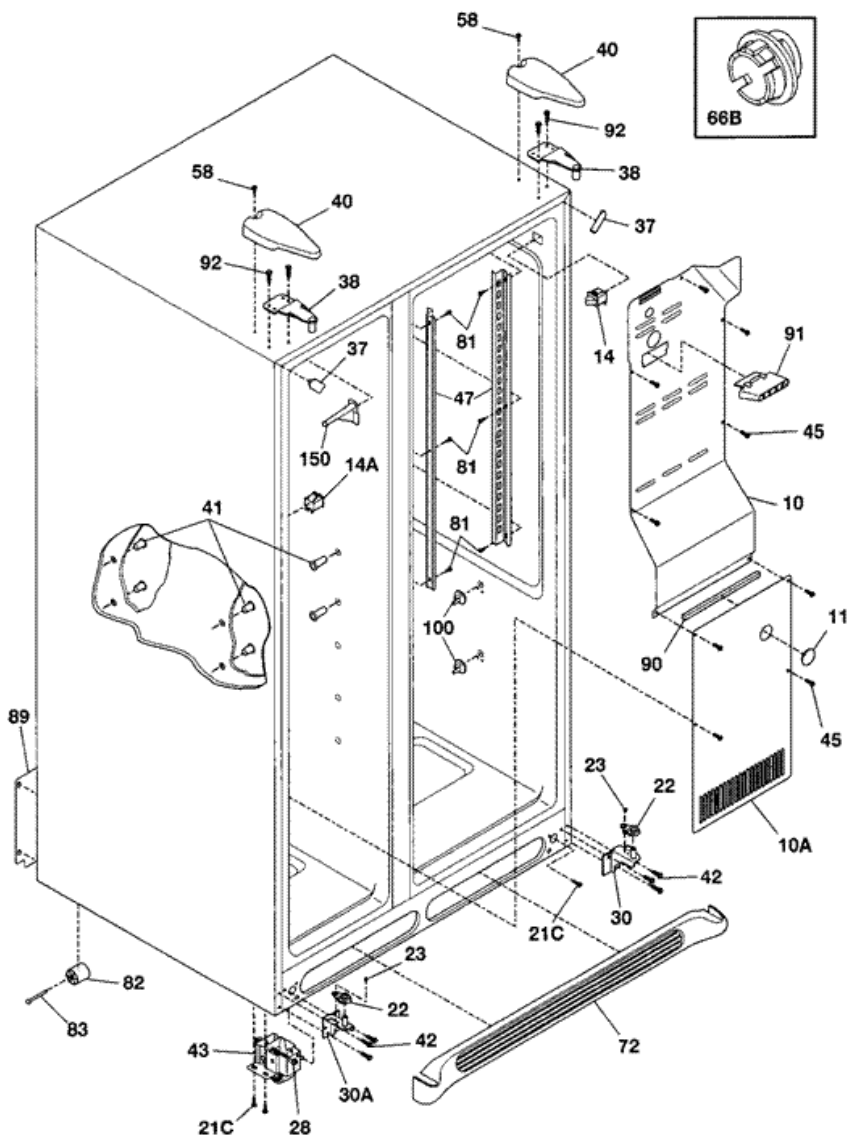
| | | |
|----|-----------|---|
| 2 | 241786001 | GASKET-REFR DOOR,WHITE ,MAGNETIC (S/P) |
| 4 | 240323002 | BIN-DOOR,PSEUDO ,BOTTOM (S/P) |
| 7 | 240326203 | DOOR-DAIRY (S/P) |
| 13 | 240537101 | DOOR STOP,WHITE ,REF (S/P) |
| 15 | 240451900 | PANEL-REFR DOOR,WHITE ,COMPLETE ASSY (S/P) |
| 18 | 241934301 | HANDLE-DOOR (S/P) |
| 21 | 218252200 | SCREW,8 TRUSS HD ,10-32CA X 0.500 (S/P) |
| 21 | 218781100 | SCREW,PAN HEAD ,8-18 X 0.625 (S/P) |
| 22 | 240328201 | BEARING-HINGE,CLOSER |
| 22 | 240328401 | BEARING-HINGE,UPPER (S/P) |
| 37 | 241927001 | TRIM-HANDLE,30.13` ,WHITE ,LOWER (S/P) |
| 49 | 240356402 | BIN-DOOR,GALLON (S/P) |
| 72 | 240421701 | BUTTON-HANDLE MTG,DOVETAIL (S/P) |
| 73 | 218396700 | BLOCK-HANDLE MTG,DOVETAIL (S/P) |
| 73 | 240339101 | PART OF HANDLE/TRIM DESCONTINUADO |
| 74 | 215503200 | SCREW,CR PAN HD ,10-16 X 0.500 (S/P) |
| 96 | 240345505 | PLUG-FOAM HOLE,WHITE (S/P) |

Distribuidor Autorizado

SurteRápido.com

Venta de Refacciones
Electrodomesticas

GLRS264ZAW1 CABINET





GLRS264ZAW1 CABINET

| | | |
|-----|------------|---|
| 10 | 240475907 | COVER-EVAP COIL,LOWER (S/P) |
| 10 | 240435904 | COVER-AIR DUCT (S/P) |
| 11 | 5303208309 | PLUG-HOLE,FACTORY TEST (S/P) |
| 14 | 215486600 | SWITCH-LIGHT/LAMP (S/P) |
| 14 | 240505801 | SWITCH-LIGHT/LAMP (S/P) |
| 21 | 218252200 | SCREW,8 TRUSS HD ,10-32CA X 0.500 (S/P) |
| 22 | 240457701 | PLATE-DOOR CLOSER |
| 28 | 240335501 | BOLT-ROLLER ADJ,HEX WASHER HEAD (S/P) |
| 30 | 5303918455 | BRACKET-LOWER HINGE (S/P) |
| 30 | 5303918455 | BRACKET-LOWER HINGE, REF (S/P) |
| 37 | 240337608 | TRIM-CABINET CORNER,WHITE ,(2) (S/P) |
| 38 | 240327207 | BRACKET-UPPER HINGE (S/P) |
| 40 | 240327005 | COVER-HINGE (S/P) |
| 41 | 241550801 | GROMMET-SHELF MTG,1.40`` LONG (S/P) |
| 42 | 240578902 | SCREW-HINGE MTG,HEX HEAD ,1/4-20 X 0.75 (S/P) |
| 43 | 240335006 | ROLLER ASSY,FRONT ,(2) (S/P) |
| 45 | 5303001343 | SCREW,HEX WASHER HEAD ,8-15A X 0.500 (S/P) |
| 47 | 218659500 | CHANNEL-SHELF MTG,SIDE ,(2) |
| 58 | 218749600 | SCREW,10 PAN HD ,8-18 X .5 (S/P) |
| 66 | 240374301 | DIFFUSER-AIR (S/P) |
| 72 | 241521613 | GRILLE/KICKPLATE,WHITE (S/P) |
| 81 | 5308016566 | SCREW,HEX WSHR HD ,8-15A X 0.625 (S/P) |
| 82 | 5304418225 | ROLLER,COMP BASE ,REAR ,(2) (S/P) |
| 83 | 5303316859 | PIN-ROLLER,(2) (S/P) |
| 89 | 241733902 | COVER-ACCESS,W/ LABEL (S/P) |
| 90 | 218249805 | SEAL-COIL COVER (S/P) |
| 91 | 240380101 | DUCT-ICE MAKER (S/P) |
| 92 | 241710601 | SCREW-HINGE MTG,HEX HD ,1/4-20 X 0.875 (S/P) |
| 100 | 240350802 | SUPPORT-CRSPR COVER,(4) |
| 100 | 240423701 | SUPPORT-CRSPR COVER,(4) |
| 150 | 240368701 | GUIDE-CONTROL BULB (S/P) |

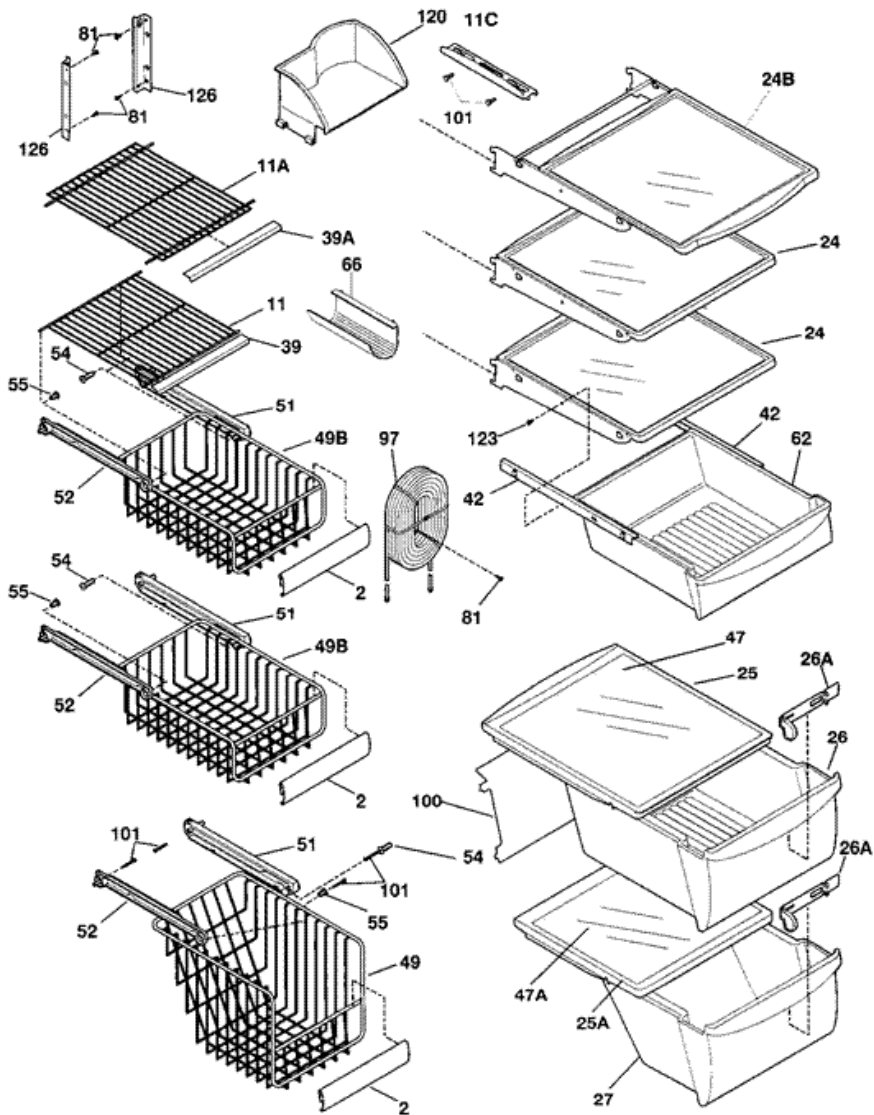
Distribuidor Autorizado

SurteRápido.com

Venta de Refacciones
Electrodomesticas



GLRS264ZAW1 SHELVES





GLRS264ZAW1 SHELVES

| | | |
|-----|------------|---|
| 2 | 241510604 | TRIM-BASKET (S/P) |
| 11 | 241657504 | SHELF-FREEZER, FIXED WIRE (S/P) |
| 11 | 241657602 | SHELF-FREEZER, FLIP-UP (S/P) |
| 11 | 240324101 | SHELF-PIZZA (S/P) |
| 24 | 240350106 | SHELF-`SPILL-SAFE`, CANTILEVER ,SLIDING (S/P) |
| 24 | 240355205 | SHELF-`SPILL-SAFE`, FIXED (S/P) |
| 25 | 240350903 | COVER-CRISPER PAN, LOWER (S/P) |
| 25 | 240350702 | COVER-CRISPER PAN, UPPER (S/P) |
| 26 | 240351005 | PAN-CRISPER, UPPER (S/P) |
| 26 | 240362201 | CONTROL-HUMIDITY (S/P) |
| 27 | 240351205 | PAN-CRISPER, LOWER (S/P) |
| 39 | 240430702 | TRIM-SHELF, 12.39` ,FRONT (S/P) |
| 39 | 240430706 | TRIM-SHELF, 11.21` ,FRONT (S/P) |
| 42 | 240356501 | HANGER-MEAT PAN, RH (S/P) |
| 42 | 240365401 | HANGER-MEAT PAN, WHITE ,LH (S/P) |
| 47 | 240443391 | INSERT-PAN COVER, GLASS (S/P) |
| 47 | 241711236 | INSERT-PAN COVER, GLASS (S/P) |
| 49 | 240530402 | BASKET-SLIDING (S/P) |
| 49 | 240530502 | BASKET-SLIDING, UPPER ,HALF (S/P) |
| 51 | 240343002 | HANGER-BASKET, RH (S/P) |
| 52 | 240343102 | HANGER-BASKET, LH (S/P) |
| 54 | 240343002 | PLUG-HANGER, RIGHT HAND (S/P) |
| 55 | 240343102 | PLUG-HANGER, LEFT HAND (S/P) |
| 62 | 240342806 | PAN-MEAT (S/P) |
| 66 | 5303295947 | RACK-WINE (S/P) |
| 81 | 5308016566 | SCREW, HEX WSHR HD ,8-15A X 0.625 (S/P) |
| 97 | 240545303 | WATER TANK ASSY, WITH TUBES (S/P) |
| 100 | 240326302 | COVER-WATER TANK (S/P) |
| 101 | 218493100 | SCREW, HEX WASHER HEAD ,8-18AB X 1-3/4 (S/P) |
| 120 | 240342901 | SHELF-ICE CREAM (S/P) |
| 123 | 215005100 | SCREW-ROLLER/HANGER, 8-10 X 0.438 (S/P) |
| 126 | 241674402 | CHANNEL, AUGER MTG ,RH (S/P) |
| 126 | 241674401 | CHANNEL, AUGER MTG ,LH (S/P) |



GLRS264ZAW1 CONTROLS

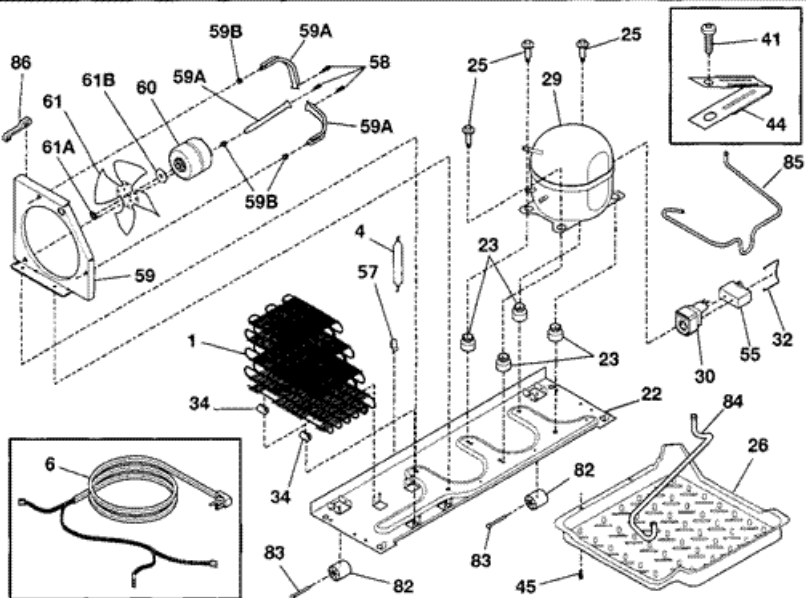
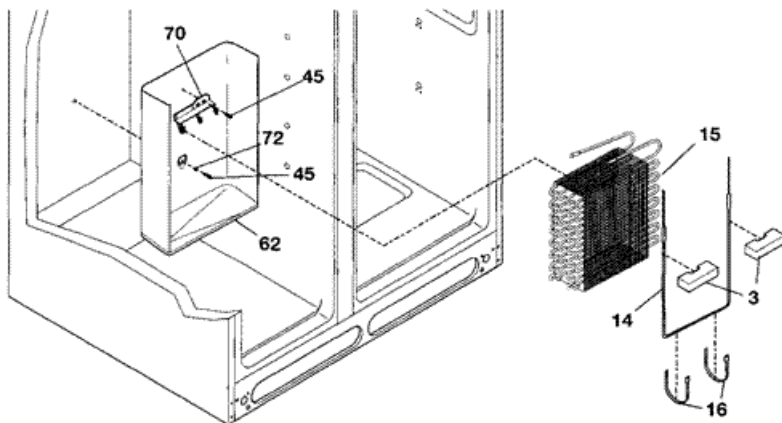
| | | |
|-----|------------|--|
| 5 | 5308000010 | FAN BLADE,RED ,EVAPORATOR FAN (S/P) |
| 8 | 5300157666 | BUSHING-MOTOR MTG,(2) (S/P) |
| 9 | 5303292396 | BRACKET-MOTOR MTG,FRONT (S/P) |
| 13 | 5304445861 | MOTOR-EVAP FAN |
| 14 | 5303292397 | BRACKET-MOTOR MTG,REAR (S/P) |
| 15 | 240436702 | LIGHT BULB/LAMP,A-15 ,40 W ,120 V , (S/P) |
| 16 | 241513901 | SOCKET-LIGHT/LAMP (S/P) |
| 17 | 240317701 | BOX-CONTROL,FRONT (S/P) |
| 18 | 240360801 | KNOB-CONTROL (S/P) |
| 21 | 5304482075 | CONTROL-TEMPERATURE (S/P) |
| 21 | 5304421768 | CONTROL-TEMPERATURE (S/P) |
| 22 | 218660704 | TUBE-INSULATOR (S/P) |
| 23 | 240554502 | CONTROL-DEFROST,ADAPTIVE TIMER , |
| 45 | 5303001343 | SCREW,HEX WASHER HEAD ,8-15A X 0.500 (S/P) |
| 53 | 240369501 | BOX-CONTROL (S/P) |
| 81 | 5308016566 | SCREW,HEX WSHR HD ,8-15A X 0.625 , (S/P) |
| 115 | 5303918283 | DAMPER ASSY,W/SEAL (S/P) |
| 115 | 5303918283 | SWITCH-MICRO,SINGLE POLE (S/P) |
| 137 | 241944302 | BYPASS,WATER FILTER ,OPTIONAL PART (S/P) |
| 137 | WF2CB | FILTER,WATER ,FRONT ,CASSETTE |
| 138 | 240397301 | BUTTON-FILTER RELEASE (S/P) |
| 139 | 240396002 | BASE-WATER FILTER |
| 149 | 5304444980 | SHROUD-FAN ORFICE (S/P) |
| 150 | 240394204 | INSULATION-WATER TUBE COVER (S/P) |
| 151 | 240373806 | COVER-WATER TUBE (S/P) |
| 198 | 240397401 | RETAINER (S/P) |
| 199 | 240397501 | ROD (S/P) |
| 199 | 240398401 | SPRING-FILTER RELEASE ROD (S/P) |
| 200 | 240397601 | LIGHT PIPE (S/P) |
| 201 | 240398502 | LABEL-CONTROL BOX (S/P) |

Distribuidor Autorizado

SurteRápido.com

Venta de Refacciones
Electrodomesticas

GLRS264ZAW1 SYSTEM





GLRS264ZAW1 SYSTEM

| | | |
|----|------------|---|
| 1 | 242039202 | CONDENSER (S/P) |
| 3 | 218679607 | BLOCK-EVAP COIL,STYROFOAM ,(2) (S/P) |
| 4 | 5303305677 | DRIER-FILTER,R134A SYSTEM (S/P) |
| 6 | 240346402 | HARNESS-WIRING,MACHINE COMPT (S/P) |
| 14 | 5303918254 | DEFROST HEATER KIT |
| 15 | 5303918284 | EVAPORATOR KIT |
| 16 | 5308000110 | STRAP-EVAP/HEATER,ALUMINUM ,(2) (S/P) |
| 22 | 240330011 | BASE-COMPRESSOR (S/P) |
| 23 | 218513300 | GROMMET-COMPR MTG,(4) (S/P) |
| 25 | 240491501 | SCREW-COMPRESSOR (S/P) |
| 26 | 241637401 | PAN-DEFROST DRAIN (S/P) |
| 29 | 5303918254 | COMPRESSOR,W/ELECTRICALS |
| 30 | 5304468029 | STARTER-PTC (S/P) |
| 32 | 218973501 | CLAMP,ELEC CONT MTG ,COMPRESSOR (S/P) |
| 34 | 240405201 | GROMMET-COND MTG,(4) (S/P) |
| 41 | 218897001 | SCREW,HEX WASHER HEAD ,8-32 X 1/4 (S/P) |
| 44 | 5303001199 | CLAMP-SERVICE CORD,STRAIN RELIEF (S/P) |
| 45 | 5308016566 | SCREW,HEX WSHR HD ,8-15A X 0.625 (S/P) |
| 55 | 218909913 | CAPACITOR-RUN,220 VAC ,15 MICROFARAD |
| 57 | 240542601 | CLIP-WIRING HARNESS (S/P) |
| 58 | 215004600 | SCREW-COND FAN MTR,HX SERR WSHR HD (S/P) |
| 59 | 240315501 | SHROUD-COND FAN (S/P) |
| 59 | 240346601 | GROMMET-BRACKET,(3) (S/P) |
| 59 | 240346501 | BRACKET-SUPPORT,COND MTR ,(3) (S/P) |
| 60 | 5304479002 | MOTOR-CONDENSER FAN (S/P) |
| 61 | 215004800 | GROMMET-SILENCER (S/P) |
| 61 | 215004700 | NUT,SPEED (S/P) |
| 61 | 240315401 | FAN BLADE,GALV STEEL ,CONDENSER FAN (S/P) |
| 62 | 5304481642 | TROUGH-DRAIN (S/P) |
| 70 | 218990801 | BRACKET-EVAP/CVR MTG (S/P) |
| 72 | 218397000 | BUTTON-HANDLE MTG,DOVETAIL (S/P) |
| 82 | 5304418225 | ROLLER,COMP BASE ,REAR ,(2) (S/P) |
| 83 | 5303316859 | PIN-ROLLER,(2) (S/P) |

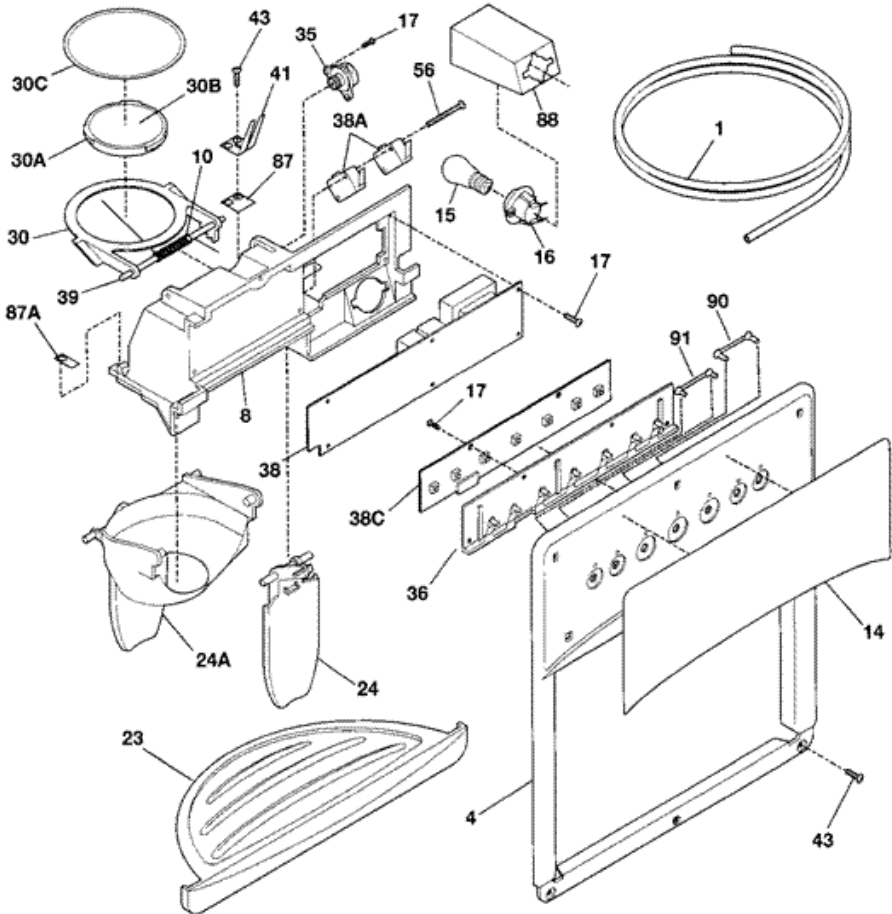
| | | |
|----|-----------|------------------------------|
| 84 | 241957901 | TUBE-DRAIN,LOWER (S/P) |
| 85 | 241844801 | TUBE-CONNECTOR,SUCTION (S/P) |
| 86 | 240409302 | SPACER-COND TUBE,BLACK (S/P) |

Distribuidor Autorizado

SurteRápido.com

Venta de Refacciones
Electrodomesticas

GLRS264ZAW1 ICE & WATER DISPENSER





GLRS264ZAW1 ICE & WATER DISPENSER

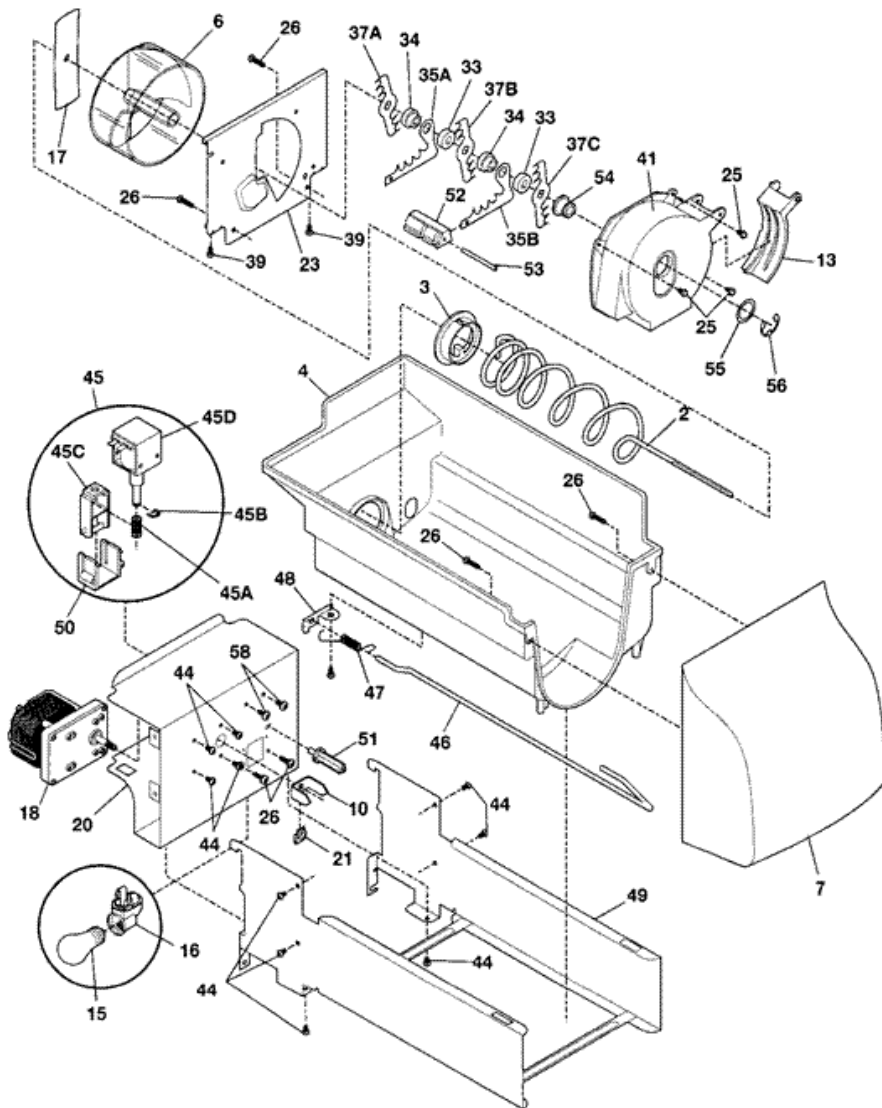
| | | |
|----|------------|------------------------------------|
| 1 | 218976901 | TUBE-WATER INLET,INLET VALVE (S/P) |
| 4 | 241678701 | COVER-MODULE,WHITE (S/P) |
| 8 | 241680505 | MODULE-DISPENSER (S/P) |
| 10 | 241688901 | SPRING-TORSION (S/P) |
| 14 | 240323961 | LABEL-MODULE COVER,WHITE (S/P) |
| 15 | 5304421616 | LIGHT BULB/LAMP (S/P) |
| 16 | 215284900 | SOCKET-LIGHT/LAMP (S/P) |
| 17 | 5304421619 | SCREW (S/P) |
| 23 | 241649001 | DRIP TRAY,WHITE (S/P) |
| 24 | 241681901 | ACTUATOR-ICE,WHITE (S/P) |
| 24 | 241682001 | ACTUATOR-WATER,WHITE (S/P) |
| 30 | 241688701 | DOOR SEAL (S/P) |
| 30 | 241688401 | DOOR ASSY-ICE CHUTE (S/P) |
| 30 | 241688601 | INSULATION-DOOR (S/P) |
| 30 | 241688501 | DOOR CENTER (S/P) |
| 35 | 241689301 | DAMPER-ROTARY (S/P) |
| 36 | 241680301 | CARRIER (S/P) |
| 38 | 5304421827 | POWER BOARD (S/P) |
| 38 | 241689101 | SWITCH-MICRO,SINGLE POLE (S/P) |
| 38 | 241700103 | BOARD-CONTROL (S/P) |
| 39 | 241688801 | PIN-HINGE (S/P) |
| 41 | 241689001 | SPRING-ACTUATOR (S/P) |
| 43 | 215296300 | SCREW,PLASK H/L ,6 X 3/8 (S/P) |
| 56 | 5304421830 | SCREW-MICRO SWITCH,PAN HEAD (S/P) |
| 87 | 241688301 | BEARING PLATE (S/P) |
| 87 | 241688302 | BEARING PLATE (S/P) |
| 88 | 241686101 | SHIELD-LIGHT (S/P) |
| 90 | 241680201 | LIGHT PIPE (S/P) |
| 91 | 241680101 | LIGHT PIPE,SHORT (S/P) |

Distribuidor Autorizado

SurteRápido.com

Venta de Refacciones
Electrodomesticas

GLRS264ZAW1 ICE CONTAINER





GLRS264ZAW1 ICE CONTAINER

| | | |
|----|------------|---|
| 2 | 241716101 | AUGER-ICE (S/P) |
| 3 | 241685201 | CAM-DRIVE (S/P) |
| 4 | 241734001 | CONTAINER-ICE,BUCKET ONLY (S/P) |
| 6 | 241685101 | DRUM-ICE DISP |
| 7 | 5304422805 | FRONT-ICE CONTAINER (S/P) |
| 10 | 241726501 | BAR-DRIVE (S/P) |
| 13 | 24188501 | GATE (S/P) |
| 15 | 5303013071 | LIGHT BULB/LAMP,40 W (S/P) |
| 16 | 241559801 | SOCKET-LIGHT/LAMP (S/P) |
| 17 | 241684501 | DRIVE BLADE (S/P) |
| 18 | 5304462594 | MOTOR-AUGER (S/P) |
| 20 | 241675502 | COVER-MOTOR (S/P) |
| 21 | 241726501 | NUT-DRIVE (S/P) |
| 23 | 241684001 | PLATE-FRONT (S/P) |
| 25 | 5304404362 | SCREW,HEX WASHER HEAD ,8-32T X 0.375 (S/P) |
| 26 | 215503200 | SCREW,CR PAN HD ,10-16 X 0.500 (S/P) |
| 33 | 241684801 | SPACER (S/P) |
| 34 | 241689801 | SPACER (S/P) |
| 35 | 241684301 | FIXED BLADE,ROUND (S/P) |
| 35 | 241684201 | FIXED BLADE,SQUARE (S/P) |
| 37 | 241684103 | BLADE-CRUSHER, NO. 3 (S/P) |
| 37 | 5304404348 | BLADE-CRUSHER, NO. 1 (S/P) |
| 37 | 241684102 | BLADE-CRUSHER, NO. 2 (S/P) |
| 39 | 5304404365 | SCREW (S/P) |
| 41 | 24188501 | HOUSING-CRUSHER (S/P) |
| 44 | 218359200 | SCREW,PAN HEAD ,8-32 X 0.250 DESCONTINUADO |
| 45 | 241675701 | SOLENOID ASSY (S/P) |
| 45 | 241676001 | E-RING-SOLENOID (S/P) |
| 45 | 241675801 | SOLENOID (S/P) |
| 45 | 241675901 | SPRING-SOLENOID (S/P) |
| 45 | 241676101 | ACTUATOR-SOLENOID (S/P) |
| 46 | 5304404341 | CONTROL ROD (S/P) |
| 47 | 241690101 | SPRING-CONTROL ROD (S/P) |

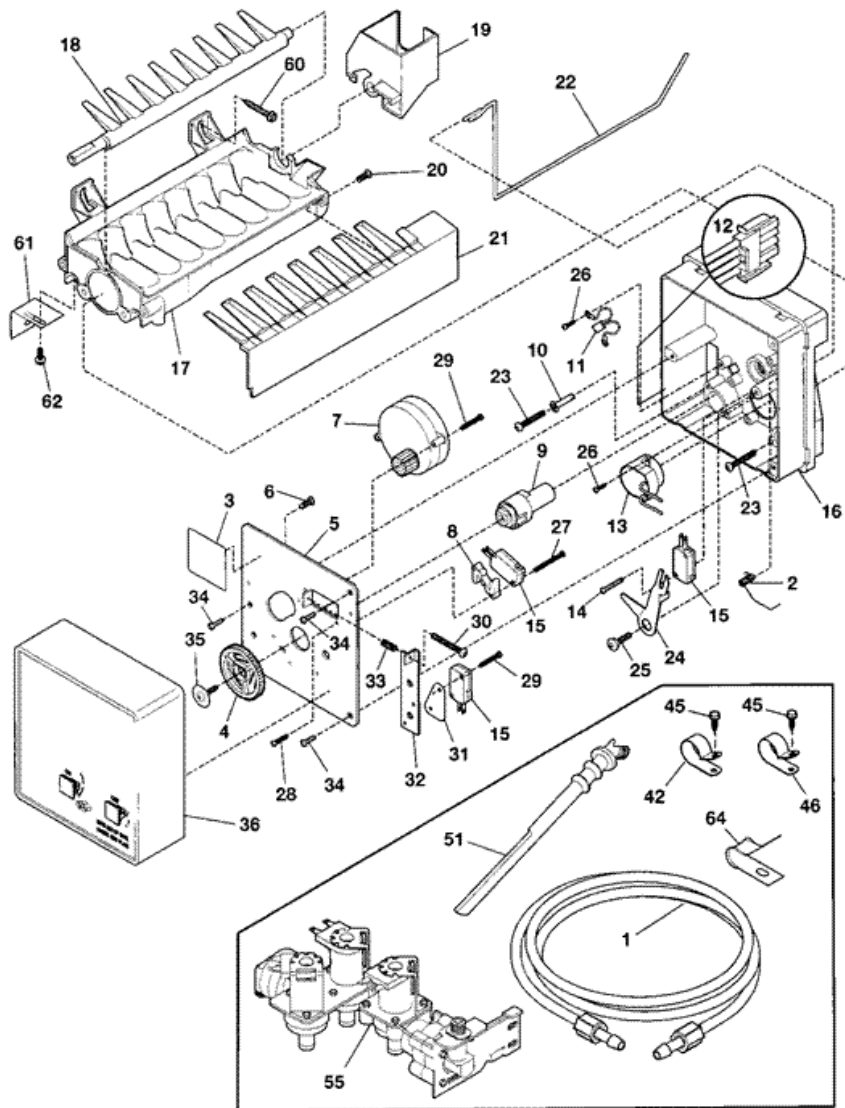
| | | |
|----|------------|-------------------------------------|
| 48 | 5304404340 | BRACKET-CONTROL ROD (S/P) |
| 49 | 5304404329 | RAIL ASSY DESCONTINUADO |
| 50 | 241675601 | GUIDE-SOLENOID (S/P) |
| 51 | 241676301 | ROTATION STOP (S/P) |
| 52 | 241684901 | SPACER-FIXED BLADES (S/P) |
| 53 | 241690402 | PIN-SPIRAL, FIXED BLADES (S/P) |
| 54 | 241685001 | NUT-AUGER (S/P) |
| 55 | 241690306 | WASHER (S/P) |
| 56 | 241690201 | E-RING (S/P) |
| 58 | 5304404331 | SCREW-SOLENOID DESCONTINUADO |

Distribuidor Autorizado

SurteRápido.com

Venta de Refacciones
Electrodomesticas

GLRS264ZAW1 ICE MAKER





GLRS264ZAW1 ICE MAKER

| | | |
|----|------------|---|
| 1 | 218976901 | TUBE-WATER INLET,INLET VALVE (S/P) |
| 2 | 5304420650 | SPRING,SHUT-OFF ARM (S/P) |
| 3 | 3206299 | LABEL,ID PLATE (S/P) |
| 4 | 5304456658 | GEAR (S/P) |
| 5 | 3206303 | PLATE-MOUNTING (S/P) |
| 6 | 3206305 | SCREW-GROUND WIRE,8-32 X 0.250 (S/P) |
| 7 | 3206306 | MOTOR-ICE MAKER (S/P) |
| 8 | 5304456661 | SPACER-HOLD SWITCH (S/P) |
| 9 | 5304456662 | CAM (S/P) |
| 10 | 3206315 | CLAMP (S/P) |
| 11 | 3206319 | THERMAL CUTOFF,ICE MAKER ,COMPLETE ASSY |
| 12 | 241578401 | WIRING HARNESS,ICE MAKER ,INTERNAL (S/P) |
| 13 | 3206322 | THERMOSTAT ASSY,ICE MAKER (S/P) |
| 14 | 5304420652 | SCREW,4 X 3/4 ,SWITCH MTG. (S/P) |
| 15 | 5304456667 | SWITCH,(3) (S/P) |
| 16 | 5304420653 | SUPPORT,PHENOLIC DESCONTINUADO |
| 17 | 5303320545 | MOLD-ICE MAKER,RADIUS CUBE (S/P) |
| 18 | 5304456670 | EJECTOR-ICE (S/P) |
| 19 | 3206330 | BEARING & INLET DESCONTINUADO |
| 20 | 5304408581 | SCREW,8-32 X 0.375 (S/P) |
| 21 | 3206332 | ICE STRIPPER (S/P) |
| 22 | 5304456673 | SHUT-OFF ARM (S/P) |
| 23 | 5304408582 | SCREW,8-32 X 0.875 ,MOLD-TO-SUPPORT (S/P) |
| 24 | 5304456675 | LEVER ARM (S/P) |
| 25 | 3206336 | SCREW,8-18 X 0.562 ,LEVER ARM/SPRT (S/P) |
| 26 | 5304420654 | SCREW DESCONTINUADO |
| 27 | 3206338 | SCREW,4-40 X 1.000 ,HOLD SWITCH MTG (S/P) |
| 28 | 3206339 | SCREW-TIMING STOP,4-40 X 0.375 (S/P) |
| 29 | 3206323 | SCREW,4-24 X 0.750 ,(6) (S/P) |
| 30 | 3206341 | SCREW-TIMING ADJ,8-32 X 1.000 (S/P) |
| 31 | 5304456680 | INSULATOR (S/P) |
| 32 | 3206343 | PLATE-VALVE SWITCH (S/P) |
| 33 | 5304456682 | SPRING-TIMING ADJ (S/P) |

| | | |
|----|------------|---|
| 34 | 5304420655 | SCREW,PLAZCREW ,8-10 ,(3) (S/P) |
| 35 | 5304408585 | SCREW (S/P) |
| 36 | 5304456685 | COVER-ICE MAKER (S/P) |
| 42 | 218515402 | CLIP,(2) ,TUBE MTG. (S/P) |
| 45 | 5303001343 | SCREW,HEX WASHER HEAD ,8-15A X 0.500 (S/P) |
| 46 | 5303001193 | CLAMP,.50 ID ,STEEL ,WATER TUBE (S/P) |
| 51 | 241796401 | TUBE-WATER,ICE MOLD FILL ,EXTENSION (S/P) |
| 55 | 241734301 | VALVE-WATER,TRIPLE SOLENOID |
| 60 | 5303207328 | SCREW,HEX WASHER HEAD ,8-15A X 1.000 (S/P) |
| 61 | 218721500 | BRACKET-LEVELING,ICE MAKER (S/P) |
| 62 | 218737900 | SCREW-IM BRKT MTG,HEX WASHER HEAD (S/P) |
| 64 | 5304455846 | CLAMP,0.31 ID ,STEEL ,COPPER WTR LINE (S/P) |