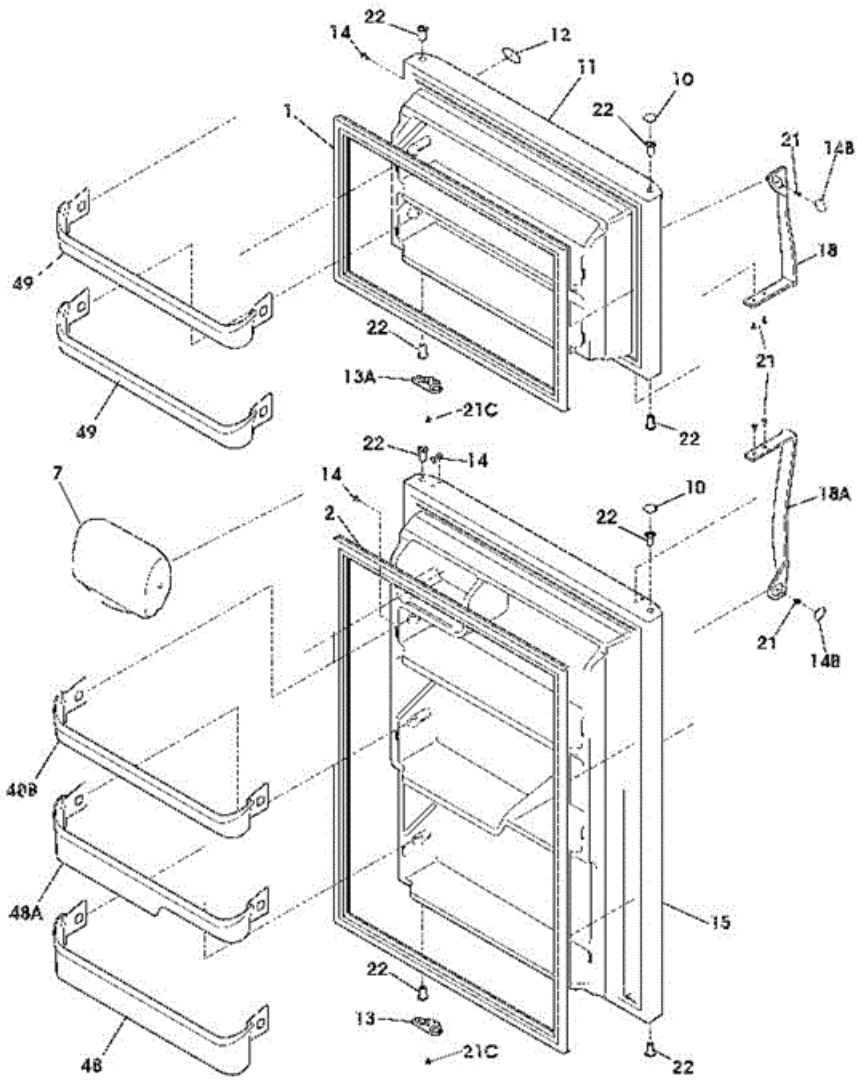


GLRT183TDQ8 DOOR

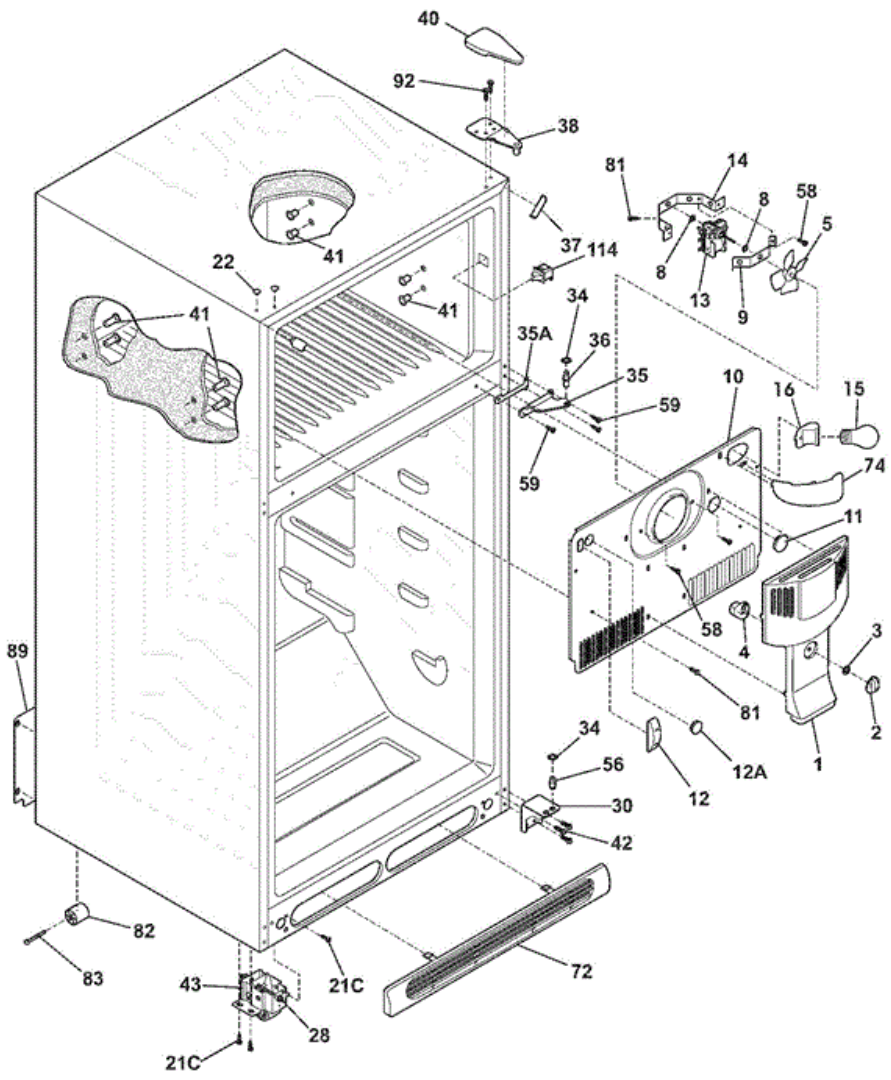




GLRT183TDQ8 DOOR

| | | |
|-----|-----------|---|
| 7 | 240337703 | DOOR-DAIRY,W/O GRAPHICS ,CLEAR |
| 10 | 240381302 | PLUG-BUTTON,BISQUE ,HINGE BRG HOLE ,(2) |
| 11 | 240409902 | PANEL-FRZR DOOR,BISQUE ,COMPLETE ASSY |
| 12 | 240449702 | NAMEPLATE,BISQUE |
| 13 | 240312407 | DOOR STOP,BISQUE ,REF |
| 13A | 240312408 | DOOR STOP,BISQUE ,FRZR |
| 14 | 240494002 | PLUG-BUTTON,BISQUE |
| 14B | 240383602 | PLUG-BUTTON,BISQUE ,DOOR HANDLE |
| 15 | 240410002 | PANEL-REFR DOOR,BISQUE ,COMPLETE ASSY |
| 18 | 240339204 | HANDLE-DOOR,BISQUE REFR-LH/FRZR-RH |
| 18A | 240339209 | HANDLE-DOOR,BISQUE REFR-RH/FRZR-LH |
| 21 | 240383401 | SCREW,TRUSS HD QUAD ,NO.10-16 X .500 |
| 21C | 218252200 | SCREW,NO.8 TRUSS HD ,10-32CA X 0.500 |
| 22 | 240527101 | BEARING-HINGE,NATURAL COLOR |
| 48 | 240338101 | BIN-DOOR,PSEUDO ,BOTTOM |
| 48A | 240337901 | BIN-DOOR,REFR |
| 48B | 240338001 | BIN-DOOR,PSEUDO ,GALLON ,REFR |
| 49 | 240495804 | BIN-DOOR,PSEUDO ,FRZR |
| F1 | 240542103 | GASKET-FRZR DOOR,WHITE ,MAGNETIC |
| F2 | 240542106 | GASKET-REFR DOOR,WHITE ,MAGNETIC |

GLRT183TDQ8 CABINET



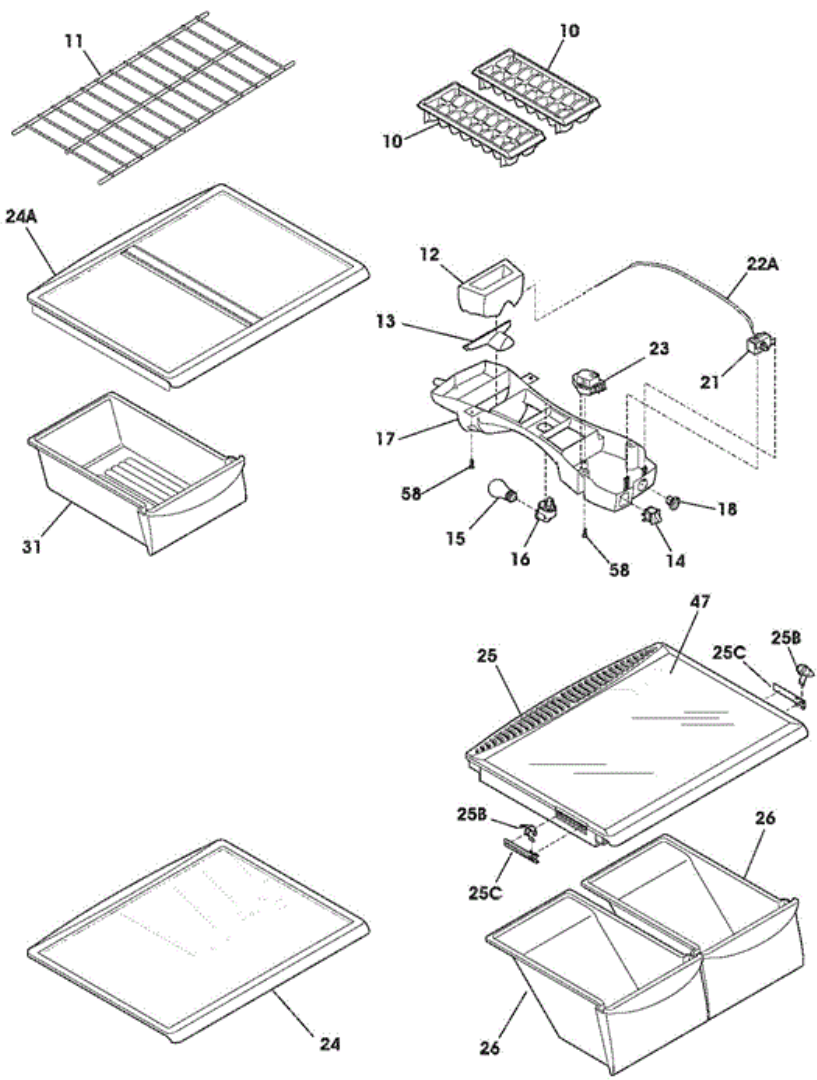


GLRT183TDQ8 CABINET

| | | |
|-----|------------|--|
| 1 | 240355401 | COVER-FAN |
| 2 | 240367001 | KNOB-DAMPER CONTROL |
| 3 | 5303001028 | NUT,PUSH-ON |
| 4 | 241523701 | DAMPER-FAN COVER |
| 8 | 5300157666 | BUSHING - MOTOR MTG, (2) |
| 9 | 5303292396 | BRACKET-MOTOR MTG,FRONT |
| 10 | 240462009 | COVER-EVAP COIL |
| 11 | 5303208309 | PLUG-HOLE, FACTORY TEST |
| 12 | 241557601 | PLUG-ICE MAKER HARNESS,RECTANGULAR |
| 12A | 240374401 | PLUG-WTR INLET TUBE,ROUND ,1`` |
| 12A | 241586701 | PLUG-FOAM-WTR-INLET,ROUND |
| 13 | 240369702 | MOTOR-EVAP FAN |
| 14 | 5303292397 | BRACKET-MOTOR MTG,REAR |
| 15 | 241560701 | LIGHT BULB |
| 21C | 218252200 | SCREW,NO.8 TRUSS HD ,10-32CA X 0.500 |
| 22 | 215774919 | PLUG-BUTTON,BISQUE ,UPR HINGE HOLES |
| 28 | 240335501 | BOLT-ROLLER ADJ,HEX WASHER HEAD |
| 30 | 240314001 | BRACKET-LOWER HINGE,ZINC |
| 34 | 240311303 | WASHER,HINGE ,NYLON ,(2) |
| 35 | 240313801 | BRACKET-CTR HINGE,ZINC |
| 35A | 240336802 | SPACER-HINGE,CENTER |
| 36 | 240516401 | PIN-CENTER HINGE |
| 37 | 241611304 | TRIM-CABINET CORNER,BISQUE ,(2) |
| 38 | 240313701 | BRACKET-UPPER HINGE |
| 40 | 240354403 | COVER-UPPER HINGE,BISQUE |
| 41 | 5308009759 | GROMMET,SHELF MTG ,1,25`` ,LH |
| 42 | 240578901 | SCREW-HINGE MTG,HEX HEAD ,1/4-20 X 5/8 |
| 43 | 240335003 | ROLLER ASSY, FRONT - IF FIXED ROLLERS |
| 56 | 240516501 | PIN-LOWER HINGE |
| 58 | 5303001343 | SCREW |
| 59 | 240442701 | SCREW-NO.10-32 X 3/4,ZINC |
| 72 | 240368206 | GRILLE/KICKPLATE,BISQUE |
| 74 | 240354301 | SHIELD-LIGHT,FRZR |

| | | |
|------|------------|---|
| 81 | 5308016566 | SCREW |
| 82 | 5304418225 | ROLLER,COMPRESSOR BASE ,REAR ,(2) |
| 83 | 5303316859 | RIVET,FLAT HEAD ,1/4 OD X 1-3/4 ,ROLLER PIN |
| 89 | 241574607 | COVER-ACCESS,W/LABEL |
| 92 | 5303001479 | SCREW |
| F114 | 241554901 | SWITCH-LIGHT/LAMP |
| F16A | 241513901 | SOCKET-LIGHT |
| F5 | 5308000010 | FAN BLADE,RED ,EVAPORATOR FAN |
| NI | 215474201 | WASHER,``SLINGER`` ,NYLON ,EVAP FAN SHAFT |
| NI | 218931001 | CLAMP-MOTOR WIRING,NYLON ,W/ADHESIVE TAPE |
| NI | 240479601 | PLUG,BUTTON ,CAB LINER HOLES ,(2) |
| NI | 240568601 | SEAL-COIL COVER |
| NI | 241500302 | SCREW,HEX WASHER HEAD ,8-18AB X 0.625 |
| NI | 241537701 | WIRING HARNESS,FREEZER SECTION ,WITH LIGHT |
| NI | 5304414035 | PAINT,TOUCH-UP ,BISQUE |

GLRT183TDQ8 SHELVES

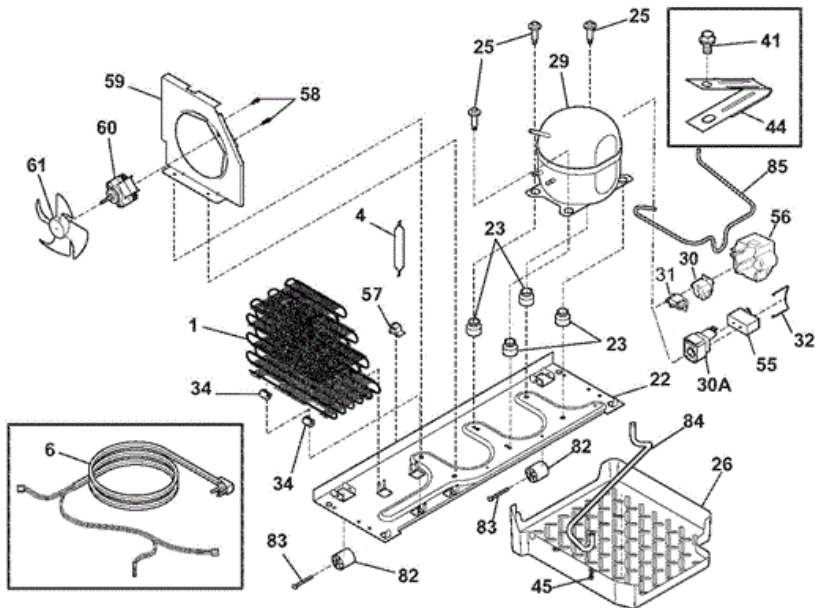
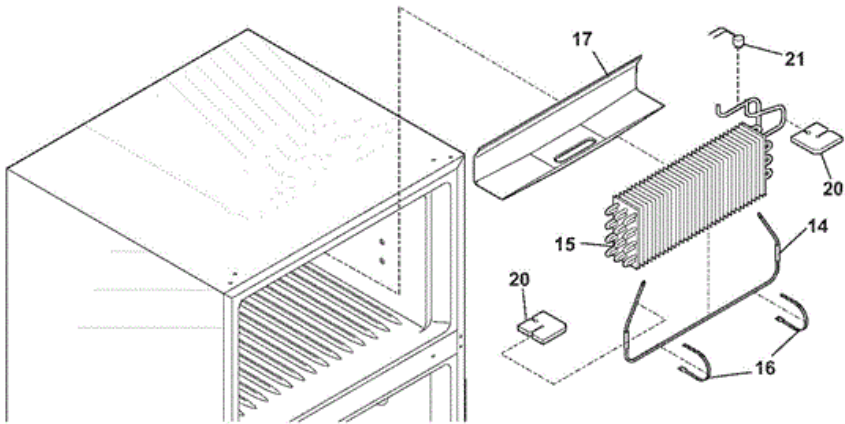




GLRT183TDQ8 SHELVES

| | | |
|-----|------------|---|
| 10 | 215667501 | TRAY,ICE CUBE ,PLASTIC |
| 11 | 240358002 | SHELF-FREEZER,FULL WIDTH |
| 12 | 241542001 | DIFFUSER,AIR ,TOP |
| 13 | 240362601 | DIFFUSER-AIR,BOTTOM |
| 15 | 241555401 | LIGHT BULB |
| 16 | 241559801 | SOCKET-LIGHT |
| 17 | 240352701 | CONTROL BOX |
| 18 | 240360801 | KNOB-TEMP CONTROL |
| 21 | 5304421256 | CONTROL-TEMPERATURE |
| 22A | 240468201 | TUBE,SENSOR SLEEVE ,31 INCH ,PLASTIC ,WHITE |
| 23 | 241621501 | TIMER-DEFROST |
| 24 | 240358917 | SHELF-`` SPILL-SAFE `` ,SLIDING W/RAILS |
| 24A | 240358918 | SHELF-`` SPILL-SAFE `` ,SLIDING,24 |
| 25 | 240364714 | COVER-CRISPER PAN |
| 25B | 240361201 | CONTROL-HUMIDITY |
| 25C | 240361301 | DAMPER,HUMIDITY CONT. |
| 26 | 240337107 | PAN-CRISPER,CLEAR ,(2) ,NO GRAPHICS |
| 31 | 240530810 | PAN,MEAT BIN |
| 47 | 240350650 | INSERT-PAN COVER,GLASS |
| 58 | 5308016566 | SCREW |
| F14 | 241554901 | SWITCH-LIGHT/LAMP |
| NI | 240388701 | WIRING HARNESS,CONTROL BOX |
| NI | 240568607 | SEAL |
| NI | 240598659 | LABEL-ENERGY |
| NI | 5303001259 | SCREW |

GLRT183TDQ8 SYSTEM





GLRT183TDQ8 SYSTEM

| | | |
|-----|------------|---|
| 6 | 240581701 | HARNESS-WIRING,MACHINE COMPT |
| 16 | 5308000110 | STRAP-EVAP/HEATER,ALUMINUM ,(2) |
| 17 | 241551801 | TROUGH-DRAIN |
| 20 | 241551901 | INSULATION BLOCK |
| 22 | 241602001 | BASE-COMPRESSOR |
| 23 | 218513300 | GROMMET-COMPR MTG,(4) |
| 25 | 240491501 | SCREW-COMPRESSOR MTG |
| 26 | 240332605 | PAN-DEFROST DRAIN |
| 34 | 240405201 | GROMMET,RUBBER ,BLACK ,COND TUBE/WIRE |
| 41 | 240433202 | SCREW,HEX WASHER HEAD ,8-18 X 5/16 |
| 44 | 5303001199 | CLAMP |
| 45 | 5308016566 | SCREW |
| 56 | 240582001 | COVER-TERMINAL |
| 57 | 240542601 | CLIP-WIRING HARNESS |
| 58 | 218897002 | SCREW,HEX WASHER HEAD ,8-32 X 0.375 |
| 59 | 5304430246 | BRACKET-COND MOTOR ASSY |
| 82 | 5304418225 | ROLLER,COMPRESSOR BASE ,REAR ,(2) |
| 83 | 5303316859 | RIVET,FLAT HEAD ,1/4 OD X 1-3/4 ,ROLLER PIN |
| 84 | 240500801 | TUBE-DRAIN,RUBBER ,LOWER |
| 85 | 240493101 | TUBE-CONNECTOR,SUCTION |
| F1 | 240444401 | CONDENSER,DYNAMIC |
| F14 | 5303918208 | DEFROST HEATER KIT |
| F15 | 5303918274 | EVAPORATOR KIT |
| F21 | 5303918202 | THERMOSTAT-DEFROST,KIT |
| F29 | 5303918297 | COMPRESSOR,W/ELECTRICALS |
| F30 | 5304433579 | RELAY |
| F31 | 5304433578 | OVERLOAD PROTECTOR |
| F4 | 218944001 | DRIER-FILTER,R134A SYSTEM |
| F60 | 240525402 | MOTOR,CONDENSOR FAN |
| F61 | 240524101 | FAN BLADE,GALV STEEL ,CONDENSER FAN |
| NI | 218252200 | SCREW,NO.8 TRUSS HD ,10-32CA X 0.500 |
| NI | 240346701 | TAPE-FOAM SEAL,SHROUD |
| NI | 240359401 | SCREW-FAN SHROUD,(2) |

| | | |
|----|------------|--|
| NI | 240388701 | WIRING HARNESS,CONTROL BOX |
| NI | 240581801 | HARNESS-WIRING,COMPRESSOR |
| NI | 241537701 | WIRING HARNESS,FREEZER SECTION ,WITH LIGHT |
| NI | 5303918222 | HOT TUBE REPAIR KIT,SERVICE |
| NI | 5303918263 | HEAT EXCHANGER KIT,SUCTION LINE |