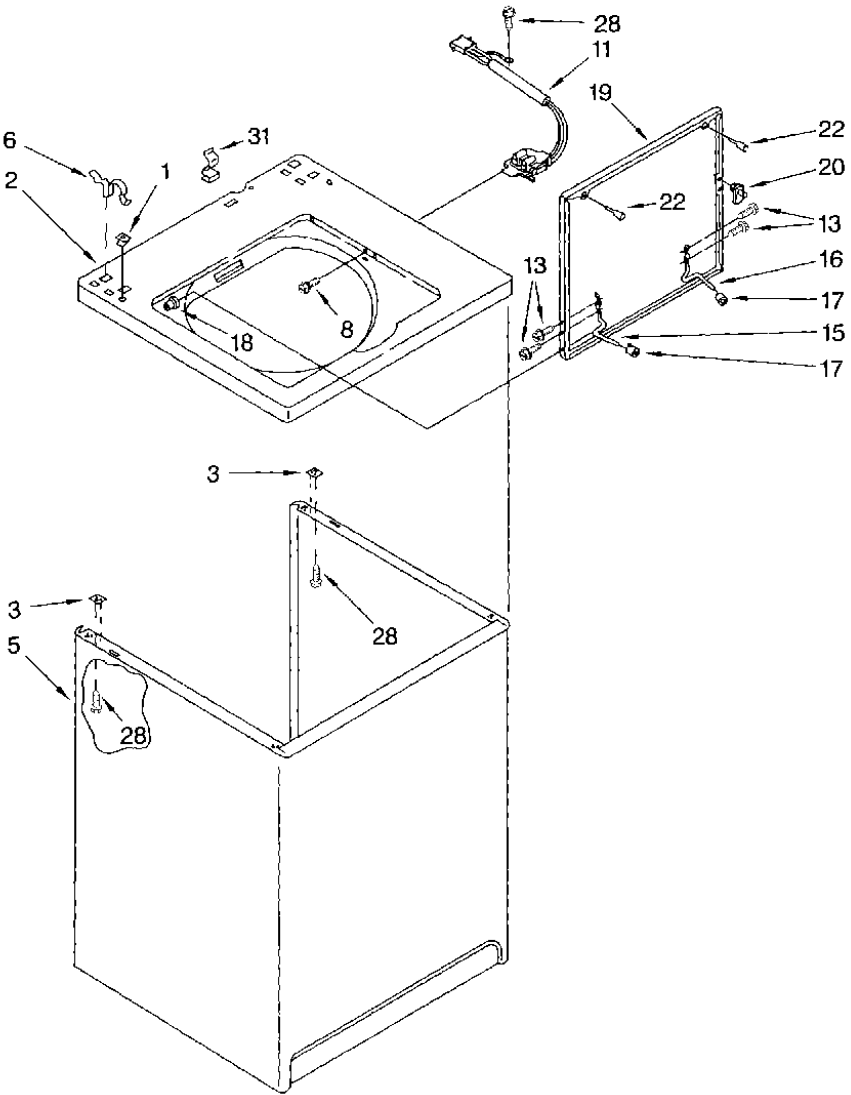


GLSR5233AW1 GABINETE





GLSR5233AW1 GABINETE

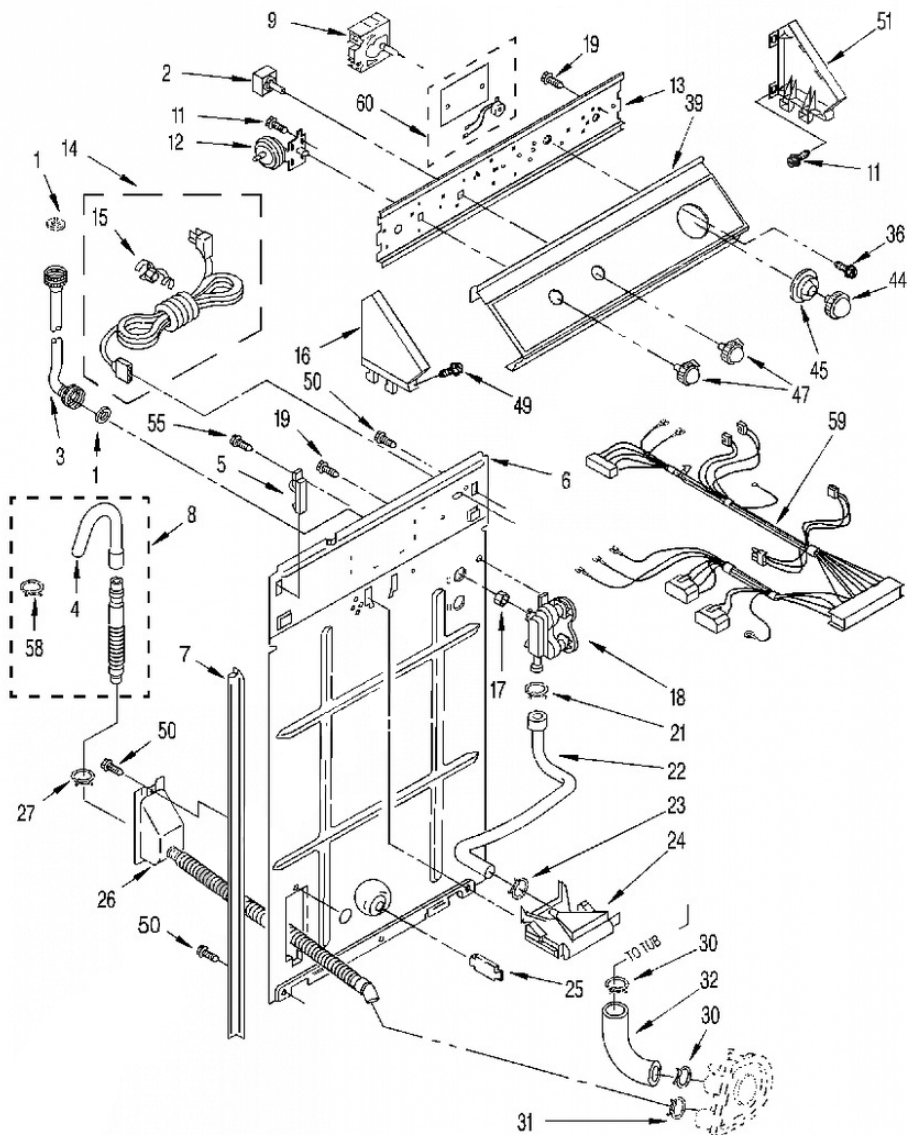
1	357213	NUT, PUSH-IN (S/P)
2	3949310	TOP (WHITE) (S/P)
2	3949311	TOP (ALMOND) (S/P)
3	62750	SPACER, CABINET TO TOP (4) (S/P)
5	63424	CABINET (WHITE) (S/P)
5	63425	CABINET (ALMOND)
6	62780	CLIP, TOP & CABINET & REAR PANEL (2)
8	3356311	SCREW & WASHER, LID SWITCH (2) (S/P)
11	285671	SWITCH, LID
13	3351355	SCREW, LID HINGE MOUNTING (4) (S/P)
15	54584	HINGE, LID (L.H.) (S/P)
16	54583	HINGE, LID (R.H.) (S/P)
17	19119	BUMPER, LID HINGE (S/P)
18	21258	BEARING, LID HINGE (2) (S/P)
19	3957563	LID (WHITE) (S/P)
19	3957564	LID (ALMOND) (S/P)
20	358684	STRIKE, LID SWITCH
22	93770	BUMPER, LID (2)
28	384435	SCREW, 10-16 X 1/2 (5) (S/P)
31	90016	CLIP, HARNESS (S/P)

Distribuidor Autorizado

SurteRápido.com

Venta de Refacciones
Electrodomesticas

GLSR5233AW1 TABLERO

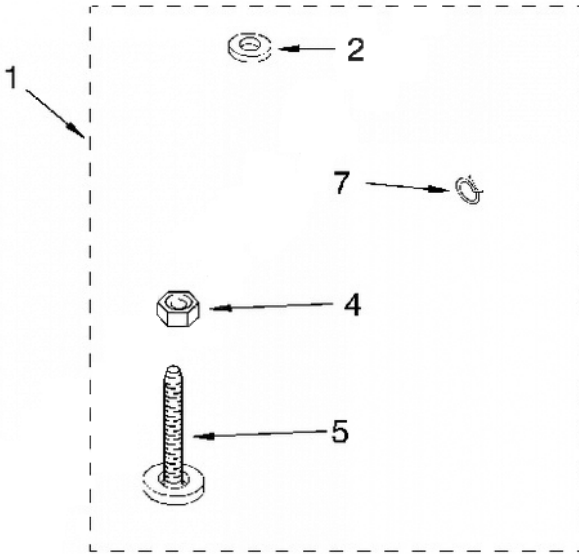




GLSR5233AW1 TABLERO

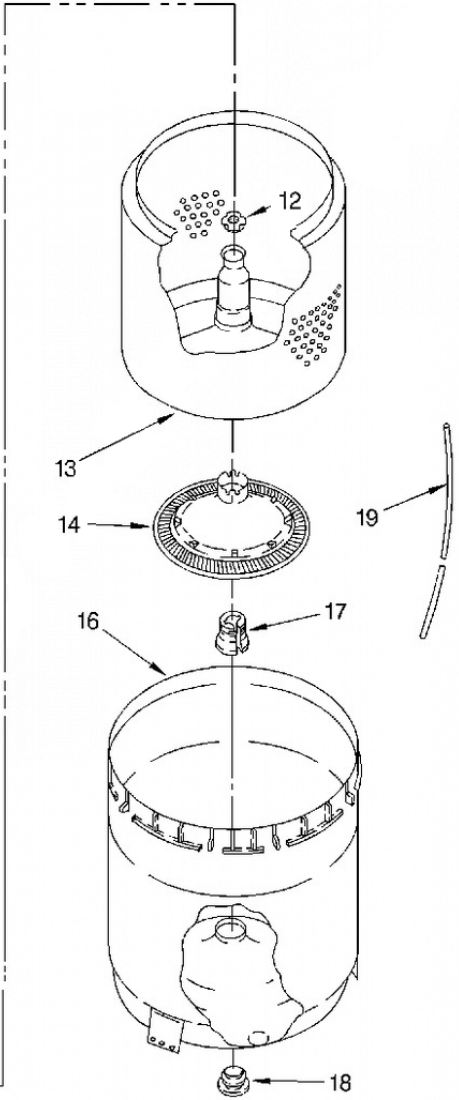
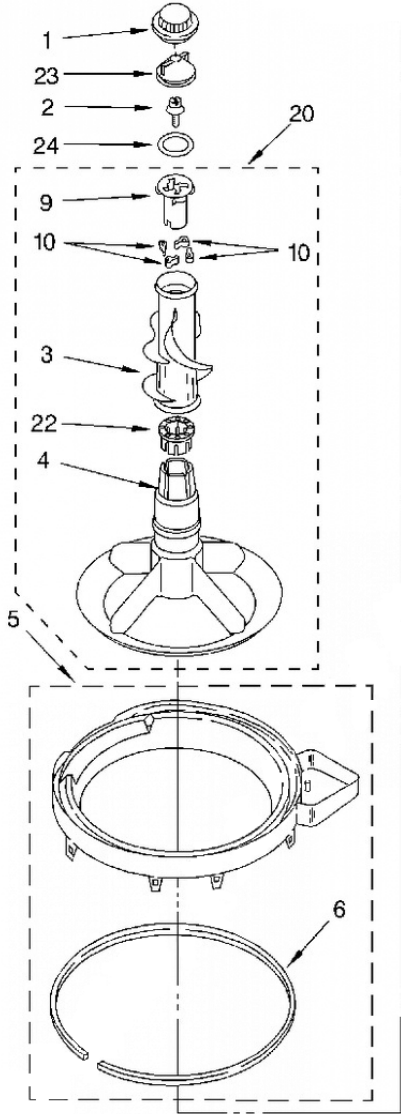
1	16123	WASHER, WATER INLET HOSE (4) (S/P)
2	3405157	SWITCH, WATER TEMPERATURE
3	89503	HOSE, WATER INLET (2)
4	3357027	NOZZLE-DRAIN HOSE (S/P)
5	387402	HINGE, CONSOLE (2)
6	3357978	PANEL, REAR (S/P)
7	62747	PAD, REAR PANEL (S/P)
8	661577	HOSE, DRAIN (9'-9'') (NOT INCLUDED) (S/P)
8	285702	EXTENSION, DRAIN HOSE (21 INCHES.) (S/P)
8	285664	HOSE, DRAIN (4'-8'')
9	3946443	TIMER, CONTROL (50 HZ.) (S/P)
11	90767	SCREW, 8A X 3/8 (S/P)
12	3356467	SWITCH, WATER LEVEL (S/P)
13	3948608	BRACKET, CONTROL (S/P)
14	285800	CORD, POWER
15	285777	STRAIN RELIEF, POWER CORD (S/P)
16	285846	CAP, END (L.H.) (FOR WHITE MODEL)
16	285848	CAP, END (L.H.) (FOR ALMOND MODEL) (S/P)
17	96160	SCREEN, FILTER (2) (S/P)
18	285805	VALVE, WATER MIXING
19	90864	SCREW, 10-24 X 3/8 (2) (S/P)
21	596669	CLAMP, HOSE (S/P)
22	3357328	HOSE, VACUUM BREAK
23	596669	CLAMP, HOSE (S/P)
24	3360977	BREAK, VACUUM
25	63290	SUPPORT, REAR PANEL (S/P)
26	8317940	HOSE-CORRUGATED ASSY.
27	356138	CLAMP, HOSE (S/P)
30	371502	CLAMP, HOSE (S/P)
31	285655	CLAMP, HOSE (S/P)
32	285871	HOSE, PUMP TO TUB
36	96435	SCREW, TIMER MOUNTING (10-32 X 1) (2) (S/P)
39	3360373	PANEL, CONSOLE (FOR WHITE MODEL) (S/P)

44	3364290	KNOB, TIMER
45	280193	DIAL, TIMER
47	8538957	KNOB, CONTROL (S/P)
49	3353145	SCREW, 8-18 (2) (PANEL TO TOP) (S/P)
50	62863	SCREW, 10-16 X 3/8 (S/P)
51	285846	CAP , END (R.H.) (FOR WHITE MODEL)
51	285848	CAP , END (R.H.) (FOR ALMOND MODEL) (S/P)
55	3357011	SCREW, 10-16 X 1/2 (S/P)
58	3357331	CLAMP, DRAIN HOSE (S/P)
59	3359833	HARNESS, WIRING (S/P)
60	3353331	KIT, CONVERSION (60 HZ) (S/P)



1	285609	MISCELLANEOUS PARTS BAG (S/P)
2	16123	WASHER, INLET HOSE (1-1/16 X 5/8) (4) (S/P)
4	3359452	NUT, LOCK (3/8-16) (S/P)
5	389102	FOOT, FRONT (2)
7	356138	CLAMP, HOSE (S/P)

GLSR5233AW1 TINAS

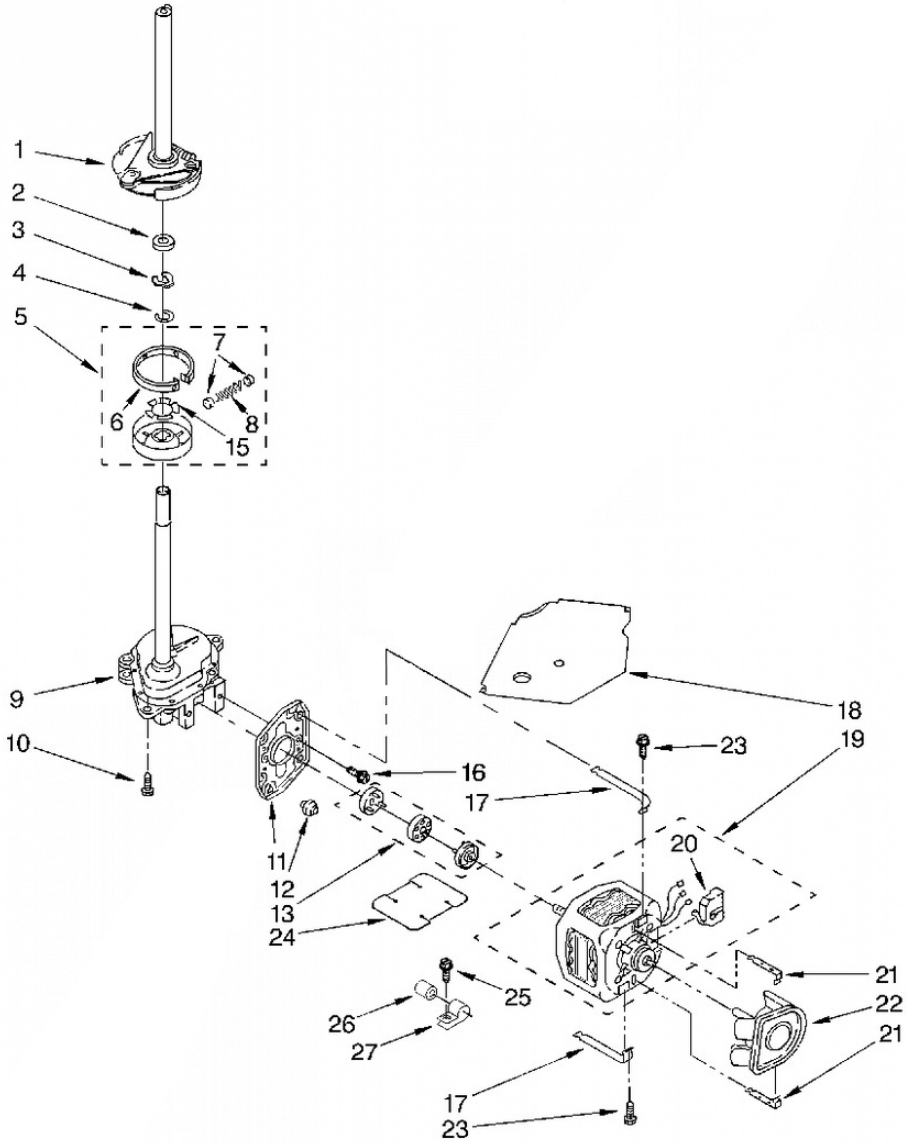




GLSR5233AW1 TINAS

1	3355758	CAP, AGITATOR (S/P)
2	358237	SCREW & WASHER (5-16-24 X 1)
3	3348752	CLOTHES MOVER
4	3347288	AGITATOR
5	8528150	TUB RING & GASKET (S/P)
6	3976308	GASKET, TUB RING
9	285811	CAM DRIVEN
10	285770	DOG, AGITATOR CLUTCH
12	21366	NUT, SPANNER
13	8526016	BASKET & BALANCE RING (S/P)
14	285868	FILTER, PLATE
16	63849	TUB (S/P)
17	389140	BLOCK, BASKET DRIVE
18	383727	GASKET, CENTER POST
19	353244	HOSE, PRESSURE SWITCH
20	285565	AGITATOR ASY. (COMPLETE)
22	285587	SPACER, THRUST
23	285551	CAP, BARRIER
24	3348855	SEAL, INNER CAP

GLSR5233AW1 MOTOR





GLSR5233AW1 MOTOR

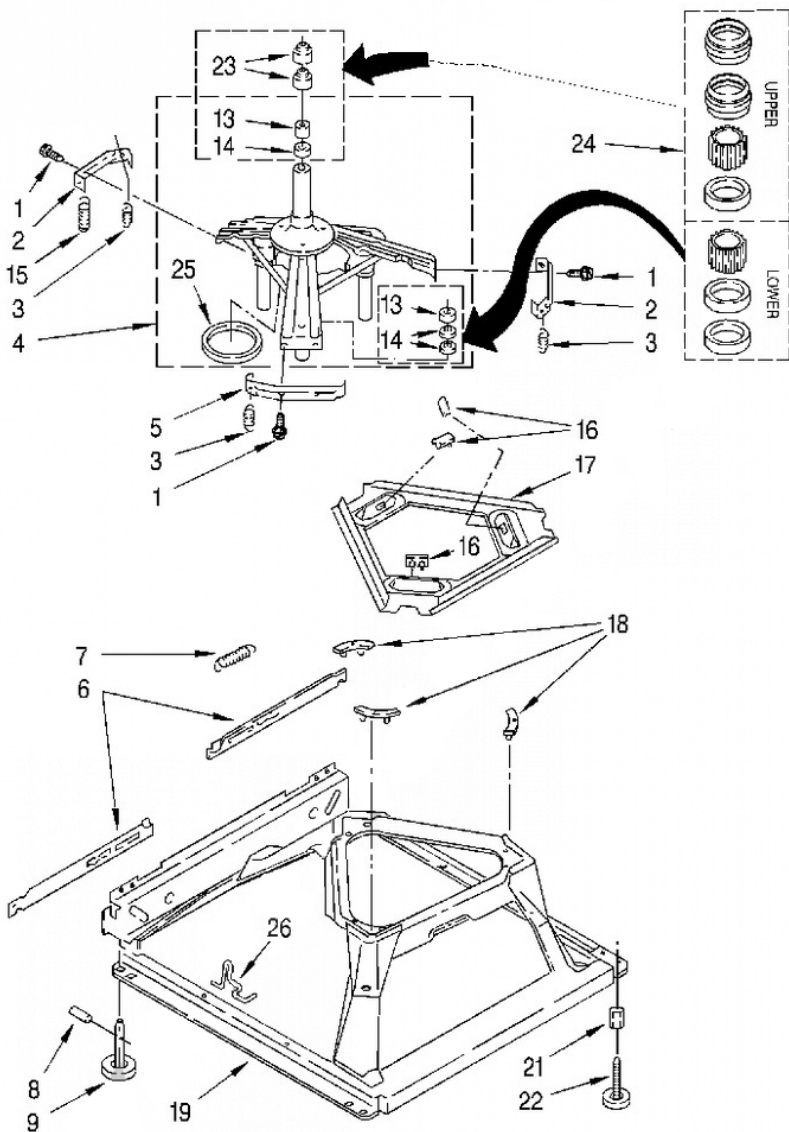
1	285792	BRAKE & DRIVE TUBE (COMPLETE)
2	63292	WASHER, SPIN TUBE THRUST
3	62697	RING, SPIN TUBE SUPPORT
4	285353	RING, RETAINER
5	285785	CLUTCH (COMPLETE)
6	285790	BAND & LINING, CLUTCH (INCLUDES ILLUS. 7 & 8)
7	62646	CAP, CLUTCH SPRING (2) (S/P)
8	3946792	SPRING, CLUTCH (S/P)
9	3363395	GEARCASE (COMPLETE) (S/P)
10	3357334	SCREW, GEARCASE TO BASE (3) (S/P)
11	62611	PLATE, MOTOR MOUNT TO GEARCASE (S/P)
12	62691	GROMMET, MOTOR (4)
13	285753	COUPLING, MOTOR & ISOLATION
15	3355454	CLIP, ANTI-RATTLE (S/P)
16	3357334	SCREW (S/P)
17	3349637	RETAINER, MOTOR (2)
18	3362089	SHIELD, TUB TO MOTOR (S/P)
19	3349642	MOTOR, MAIN DRIVE
20	8529896	SWITCH, MAIN DRIVE MOTOR (S/P)
21	62700	RETAINER, PUMP (2)
22	3363394	PUMP (COMPLETE)
23	3387485	SCREW, 10-16 X 5/8 (S/P)
24	3946532	SHIELD, MOTOR (S/P)
25	62863	SCREW, 10-16 X 3/8 (S/P)
26	8572717	CAPACITOR (S/P)
27	357030	CLAMP, CAPACITOR (S/P)

Distribuidor Autorizado

SurteRápido.com

Venta de Refacciones
Electrodomesticas

GLSR5233AW1 BASE

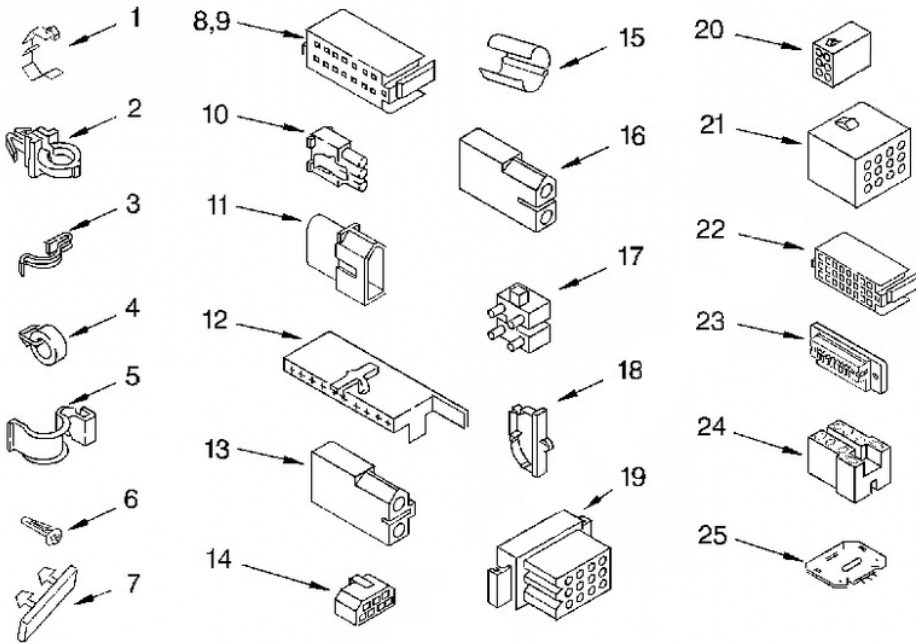




GLSR5233AW1 BASE

1	343641	SCREW, BRACKET MOUNTING (10-16 X 1/2) (S/P)
2	64067	BRACKET, SPRING OUTER (2)
3	63907	SPRING, SUSPENSION (3)
4	280184	SUPPORT & BRAKE, TUB (S/P)
5	64065	BRACKET, SPRING OUTER (L.F.)
6	63466	LINK, LEVELING MECHANISM (2) (S/P)
7	8316845	SPRING, LEVELING MECHANISM
8	62837	PIN, KNURLED (S/P)
9	285244	FOOT, REAR (2)
13	8546455	BEARING, CENTERPOST (2) (S/P)
14	359449	SEAL, CENTERPOST (3)
15	388492	SPRING, COUNTERWEIGHT
16	285219	PAD, PLATE
17	3946509	PLATE, SUSPENSION (INCLUDES ILLUS. 16) (S/P)
18	285744	PAD, BASE
19	285771	BASE ASSEMBLY (INCLUDES ILLUS, 6, 7, 8, 9, 18 & 26)
21	3359452	NUT, LOCK (3/8-16) (S/P)
22	389102	FOOT, FRONT (2)
23	91938	SEAL, CENTERPOST (2)
24	285203	CENTERPOST BEARING KIT
25	63134	RING, SOUND DEADENING
26	63806	RETAINER, SUSPENSION SPRING

GLSR5233AW1 HARNES

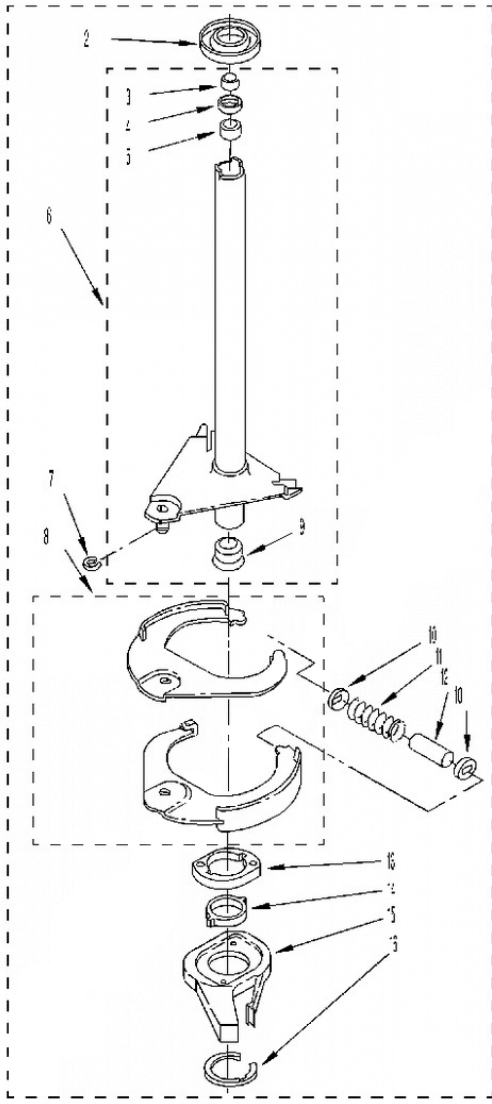




GLSR5233AW1 HARNES

1	3349557	CLIP, HARNESS (S/P)
2	388498	CLIP, HARNESS DESCONTINUADO
3	8528351	CLIP, HARNESS (S/P)
4	3348535	CLIP, HARNESS (S/P)
5	90016	CLIP, HARNESS (S/P)
6	8281256	CLIP, HARNESS (S/P)
7	389379	RETAINER, (SUDS MODELS) (S/P)
8	352090	TIMER, BLOCK DISCONNECT DESCONTINUADO
9	352089	TIMER, BLOCK DISCONNECT (BLACK) (S/P)
10	62889	RECEPTACLE, TERMINAL (3-WAY) (S/P)
11	353424	PLUG, TERMINAL (3-WAY) (POWER CORD) (S/P)
12	62505	BLOCK, DISCONNECT (MOTOR 2 SPEED) (S/P)
13	3348075	BLOCK, DISCONNECT DESCONTINUADO
14	3347243	BLOCK, DISCONNECT (USE TERM. 352088) (S/P)
15	63523	PROTECTOR (S/P)
16	717252	CONNECTOR (2-WAY) (USE TERM. 94614) (S/P)
17	938329	PLUG, TERMINAL (4-WAY) DESCONTINUADO
18	3352944	CLIP, HARNESS (S/P)
19	3390423	BLOCK, DISCONNECT (12-WAY) (TIMER) (S/P)
20	3347730	RECEPTACLE (6-WAY) DESCONTINUADO
21	388818	PLUG, TERMINAL (12-WAY) (S/P)
22	3369366	TIMER, BLOCK DISCONNECT DESCONTINUADO
23	3349494	CONNECTOR, ETC (S/P)
24	60687	CONNECTOR, RELAY (S/P)
25	3955728	CONTROL, ETC

GLSR5233AW1 FLECHA HUECA





GLSR5233AW1 FLECHA HUECA

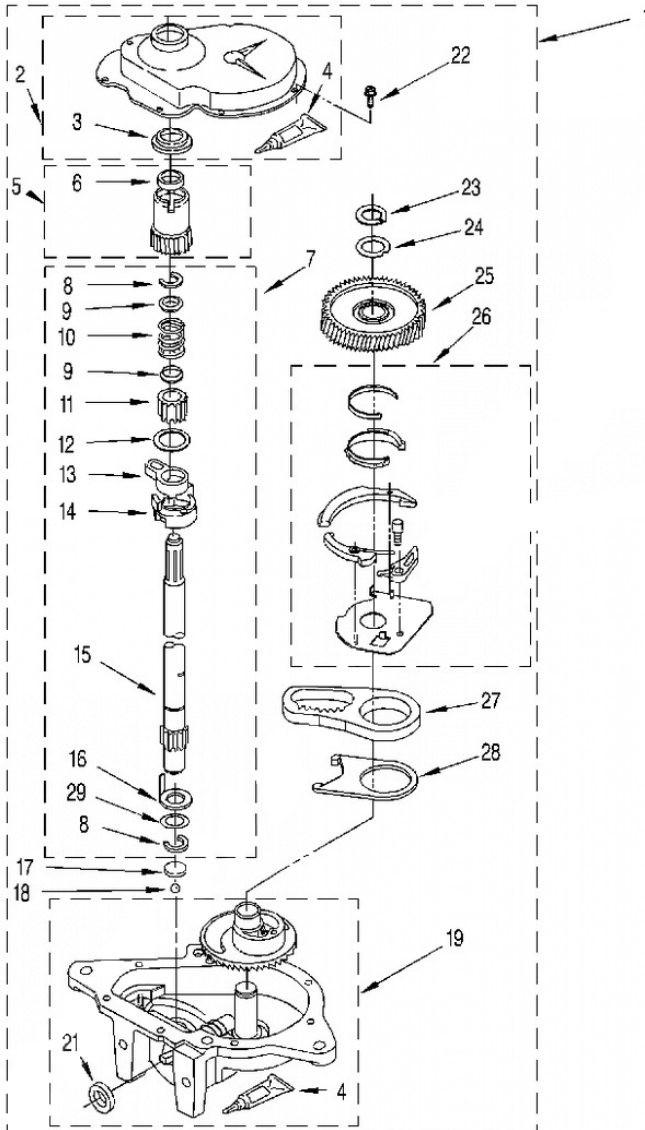
1	285792	BRAKE AND DRIVE TUBE (COMPLETE)
2	62658	RING, THRUST
3	91939	SEAL. OIL
4	356427	SEAL, DRIVE TUBE
5	356937	SPACER, DRIVE TUBE
6	64208	TUBE, BASKET DRIVE
7	64035	RING, RETAINING (S/P)
8	285438	SHOE, BRAKE
9	62703	``T`` BEARING, SPIN TUBE
10	285658	CAP, BRAKE SPRING (2) (S/P)
11	387806	SPRING, BRAKE
12	285658	SLEEVE, BRAKE SPRING (S/P)
13	661516	CAM, BRAKE RELEASE
14	63022	SLEEVE, CAM DESCONTINUADO
15	285790	DRIVER, BRAKE CAM
16	90368	RING, RETAINING
16	285208	LUBRICANT (S/P)

Distribuidor Autorizado

SurteRápido.com

Venta de Refacciones
Electrodomesticas

GLSR5233AW1 TRANSMISION

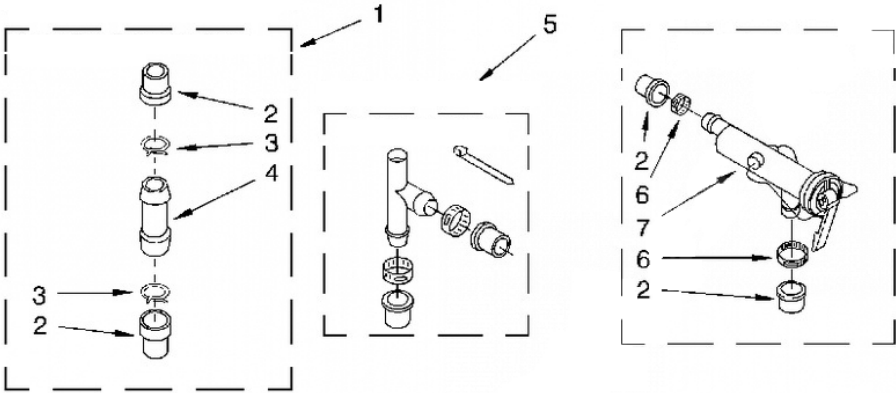




GLSR5233AW1 TRANSMISION

1	3363395	GEARCASE (COMPLETE) (S/P)
2	285202	COVER, GEARCASE (S/P)
3	3349985	SEAL, GEARCASE COVER
4	285195	SEALER, GASKET (.20 FL. OZ.) (6 ML) (S/P)
5	285362	PINION, SPIN (INCLUDES ILLUS. 25)
6	356427	SEAL, SPIN PINION DESCONTINUADO
7	389387	SHAFT, AGITSTOR (COMPLETE) (S/P)
8	90369	RING, RETAINING (2)
9	62677	RETAINER, SPRING
10	62676	SPRING, AGITATOR (S/P)
11	285509	GEAR, AGITATE DESCONTINUADO
12	62619	WASHER, AGITATOR GEAR (S/P)
13	285206	CAM FOLLOWER (INCLUDES 14)
14	285206	CAM, AGITATE (INCLUDES 13)
15	285509	SHAFT, AGITATOR DESCONTINUADO
16	62618	WASHER, CAM THRUST
17	285205	BEARING, THRUST
18	285205	BALL, BEARING
19	285515	BOTTOM AND PINION, GEARCASE (S/P)
21	285352	SEAL, THRUST PLUG
22	3351614	SCREW, GEARCASE COVER, MOUNTING (8) (S/P)
23	285765	RING, RETAINING
24	285735	WASHER KIT, THRUST (S/P)
25	285362	GEAR, SPIN
26	388253	NEUTRAL ASSEMBLY
27	3949609	RACK, CONNECTING
28	62621	ACTUATOR, SHIFT
29	388815	WASHER, INTERMEDIATE (S/P)

GLSR5233AW1 SISTEMA DE AGUA



1	285442	CONNECTOR KIT, PLASTIC DRAIN HOSE (S/P)
2	285321	SLEEVE KIT, (CONTAINS 2 SLEEVES) (S/P)
3	285653	CLAMP, HOSE (S/P)
4	16272	CONNECTOR, STRAIGHT (S/P)
5	285320	SIPHON BREAK KIT (NOT INCLUDED) (S/P)
6	285655	CLAMP, HOSE (S/P)
7	367031	DRAIN PROTECTOR (NOT INCLUDED)