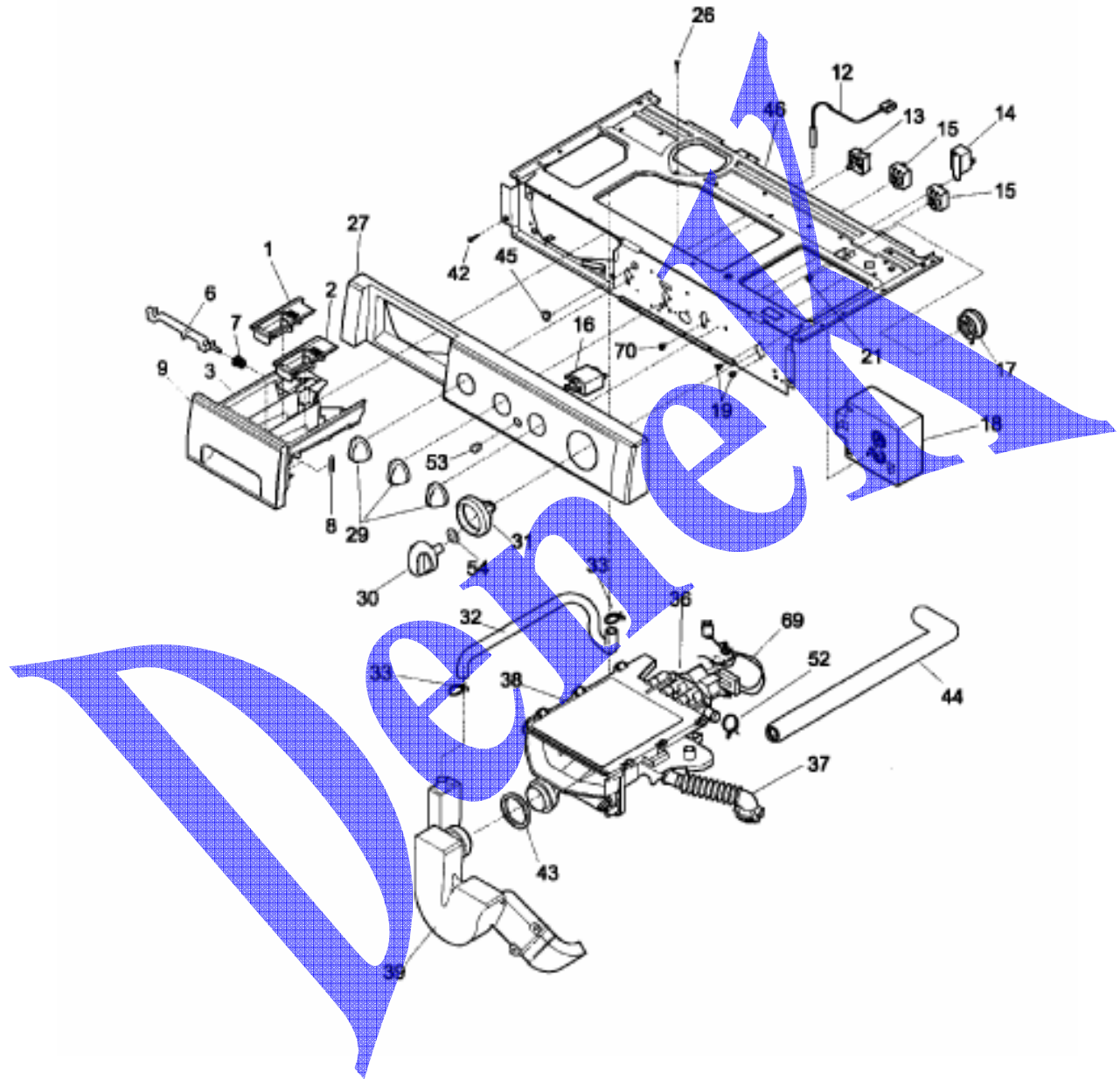


## LAVADORA W.W. MODEL. GLTF1040AS0

## PANEL DE CONTROL



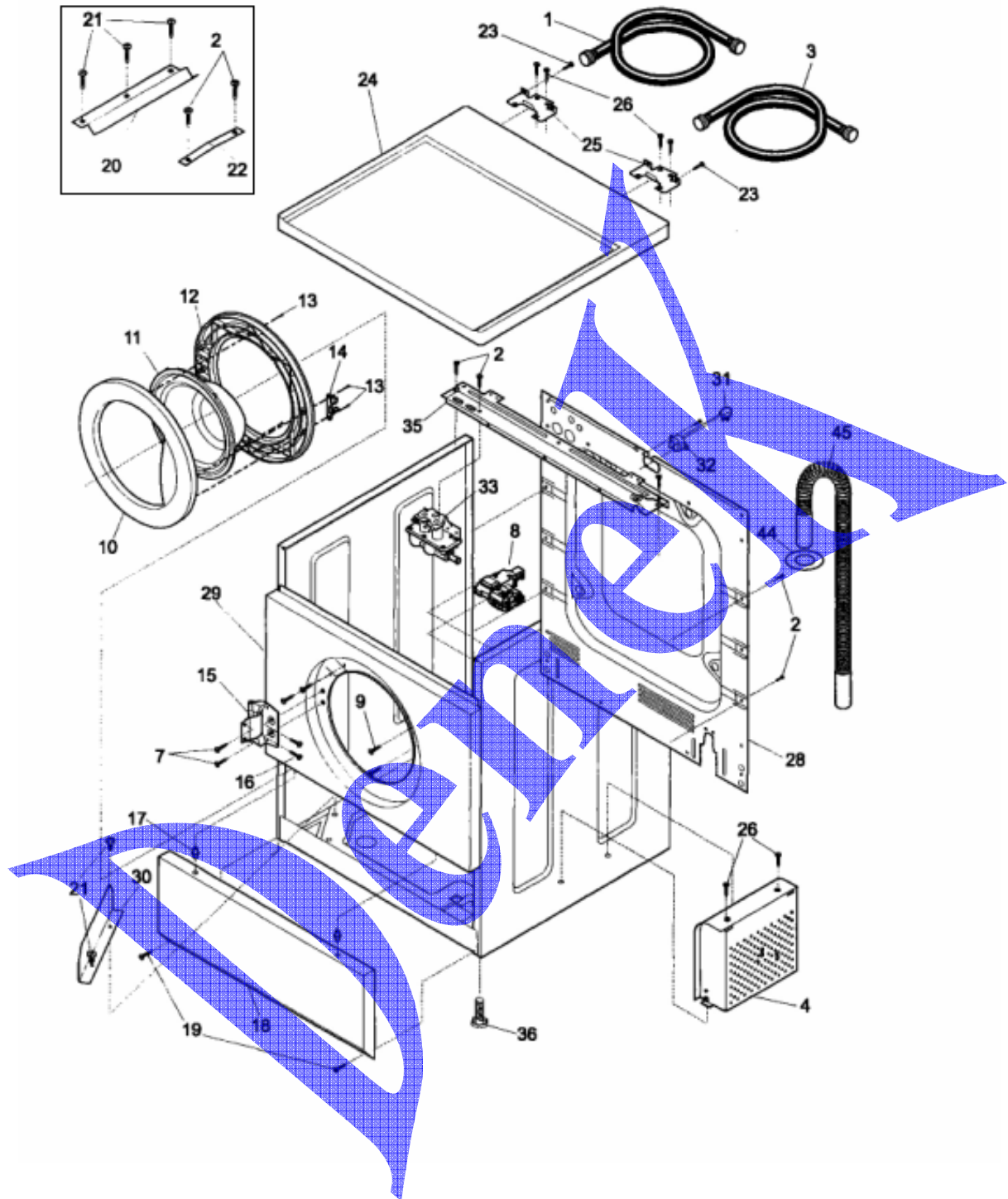
**LAVADORA W.W. MODEL. GLTF1040AS0**

**PANEL DE CONTROL**

NUMERO	N. DE PARTE	DESCRIPCION
1	131272100	COVER-BLEACH
2	131272000	COVER-SOFTENER
3	131271900	DRAWER-DISPENSER
6	131374500	LATCH-HANDLE
7	131427500	SPRING
8	131373800	MAGNET
9	131691249	ASMY-DISP DRWR HANDLE/TRIM
F12	131505901	SWITCH-REED
13	131729000	SWITCH-WATER TEMP
14	131724500	BUZZER
F15	131243200	SWITCH-EXTRA RINSE/SPEED
16	131724700	LIGHT-PILOT
F17	131273700	SWITCH-PRESSURE
18	131802100	TIMER-WASHER MALLORY FHP
19	131243800	SCREW-BRKT TOP,PAN HD LOCKING ,8-32CA X 0.375,CR/SO DRIVE
21	131243700	SCREW,PAN HEAD ,8-18AB X 0.375 .39 ,CR/SO DRIVE
26	131823400	SCR 8-18X2.000
27	131887285	ASMY-CONS FRAME/TRIM
29	134042700	KNOB-ROT-TAW-WHT
30	134042400	KNOB-TIMER-TAW WHITE
31	131853900	POINTER-TIMER WHT DRK GRAY IND
32	131786100	HOSE-DISPENSER
33	131306215	CLAMP
F36	131974700	ASMY-DISP VALVE/SEAL
37	131271600	HOSE-TUB
F38	131803700	ASMY-DETERGENT DISPENSER
39	131863300	SIPHON
42	131168200	SCREW,8-18 X 0.31
43	131749200	GASKET-SEAL
44	131786000	HOSE-DISPENSER
45	5303321107	BUSHING
46	131810012	PANEL-CONT MTG-WING BEND
52	131306242	CLAMP
53	131724800	LENS-PILOT LIGHT
54	5308015493	SPACER-TIMER SHAFT
69	131907500	HARNES-DISPENSER
70	5303015671	SCREW,8-18 X .375
NI	131307900	CLAMP-SIPHON TO BELLOWS
NI	131931201	VIBRATION DAMPENER
NI	134041600	HARNES-SOLE/MALLORY

## LAVADORA W.W. MODEL. GLTF1040AS0

## PUERTA



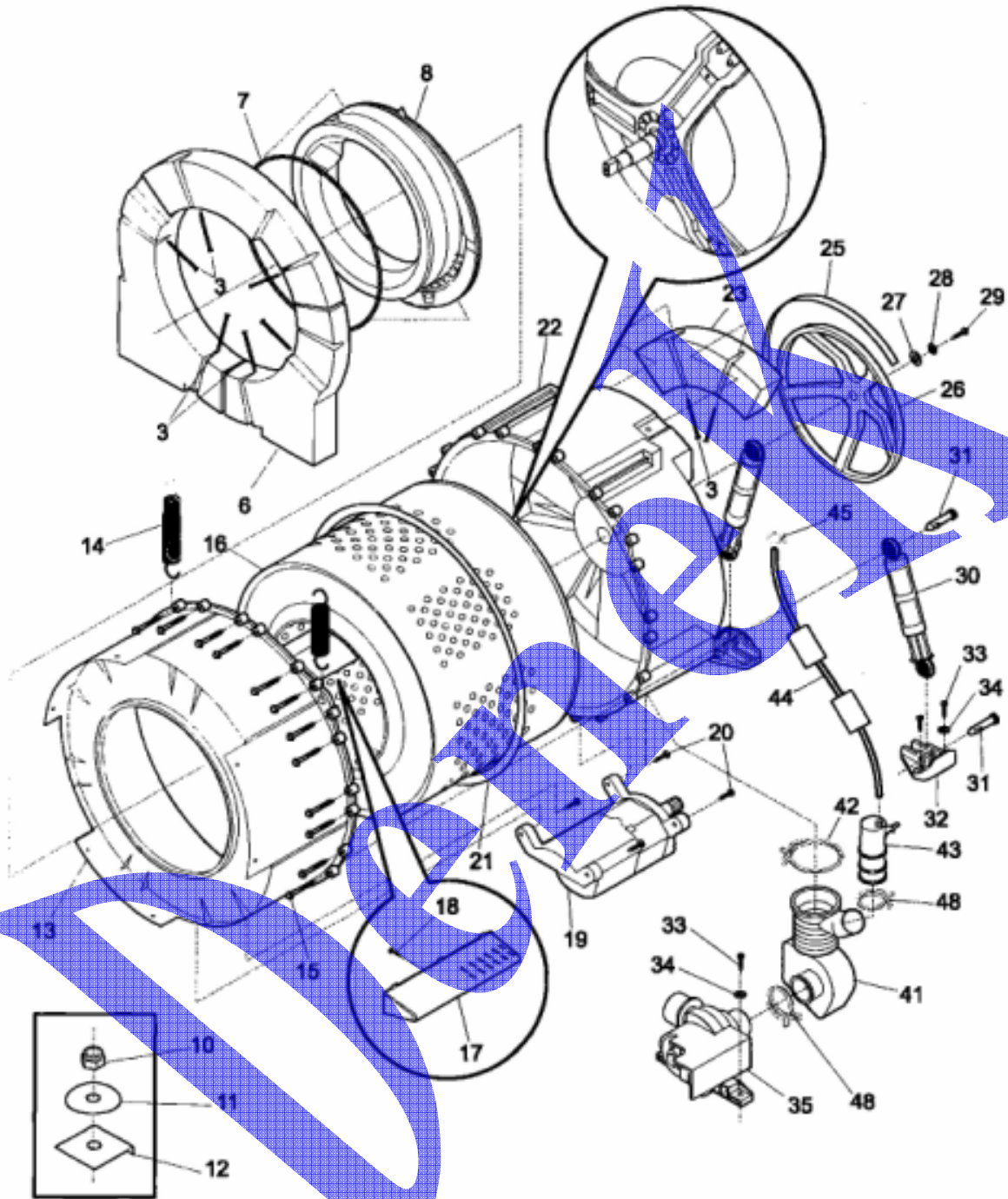
**LAVADORA W.W. MODEL. GLTF1040AS0**

**PUERTA**

NUMERO	N. DE PARTE	DESCRIPCION
1	131279602	ASMY-INLET HOSE COLD
2	131168200	SCREW,8-18 X 0.31
3	131279603	ASMY-INLET HOSE-HOT
4	131887601	ASMY-SPD CONT UNIT SOLE/MALORY
7	131205300	SCREW,10-16X.75
8	131763200	DOOR LOCK/SWITCH USCC
9	131303300	SCREW-LOCK,PH AB ,10-16X.50
10	131278700	DOOR-OUTER
11	131278800	GLASS-DOOR
12	131278900	DOOR-INNER
13	131302901	SCREW,10-16X.75
14	131763300	CATCH,DOOR/LOCK SW ,INTR DOOR FRAME
15	131269300	HINGE-DOOR
16	131696300	SCREW 10-16X.312 QUAD PH HD
17	131346400	PIN-LOCATING
18	131279300	PANEL-SERVICE,WHITE
19	131358400	SCREW-PANEL,HWHHD AB ,8-18X1.125
20	131460900	BRACKET-TOP FRONT
21	131243700	SCREW,PAN HEAD ,8-18AB X 0.375 ,39 ,CR/SQ DRIVE
22	131279500	RETAINER-SPRING
23	131243800	SCREW-BRKT TOP PAN HD LOCKING ,8-32CA X 0.375,CR/SQ DRIVE
24	134086842	PANEL-TOP FRT CONS ALL-WHT
25	131668200	BRACKET TOP PNL
26	131311900	SCREW,QUADREX PH AB ,8-18X1/2
28	131978500	PANEL-BACK
29	131752020	PANEL-FRONT-PAINTED WHITE
30	131859600	SHIELD-OVERFLOW
31	134100800	CORD-SERVICE
32	5303209428	BUSHING-CORD
F33	5303207418	VALVE-WATER
35	131732901	REINFORCEMENT BRKT
36	131841600	ASMY-FOOT BOLT/PAD/NUT
44	131707800	RING-DRAIN HOSE
45	134049200	HOSE-DRAIN
NI	131453001	BUSHING-TOP PANEL

## LAVADORA W.W. MODEL. GLTF1040AS0

## TINA, MOTOR



**LAVADORA W.W. MODEL. GLTF1040AS0**

**TINA, MOTOR**

NUMERO	N. DE PARTE	DESCRIPCION
3	131793302	BOLT-CARRIAGE 1/4-20X4.0
6	131975300	ONE PIECE COUNTERWEIGHT
7	131277300	SPRING-BOOT
8	131277100	BELLOWS
10	131304700	NUT
11	131276900	WASHER-SPRING
12	131793500	PLATE-WEIGHT
13	131618600	SHELL-FRONT TUB
14	131663600	SPRING/SLEEVE
15	131303900	SCREW,HXWHD A ,1/4-10X2.165
16	131618500	TUB-SPIN
17	131274600	VANE
18	131302800	SCREW-VANE,QUAD PH AB ,10-16X.375
F19	131770600	MOTOR-SOLE
20	131303500	SCREW-MOTOR,HWHD AB ,12-14X1.50
21	131275900	SEAL-SHELL
22	131462800	SHELL-REAR/BEARING
23	131709300	WEIGHT-UPPER BACK
25	134051000	BELT-6 RIB
26	131883400	PULLEY-DRUM REINFORCED
27	131304400	WASHER,.41X1.500X.120
28	131304500	WASHER-LOCK,3-8
29	131303700	SCREW-PULLEY,M10X.92
30	131268200	LEVEL-SHOCK
31	131268300	PIN-LEVEL
32	131268100	BRACKET-SHOCK
33	131303100	SCREW,HWHD AB ,10-16X.625
34	131304300	WASHER .21X.71X.06,.21X.71X.06
35	134051100	PUMP-ASKOLL
41	131784700	HOSE-COIN TRAP-TUB TO PUMP
42	131333104	CLAMP
43	131277500	CHAMBER-AIR
44	131277600	TUBE-PRESSURE
45	131306202	CLAMP
48	131306234	CLAMP-PUMP
NI	131638800	ADHESIVE SERVICE TUBE/BELLOWS,X
NI	131560000	SLEEVE-LOWER SPRING,TUB
NI	131592200	SLEEVE-UPPER SPRING,TUB