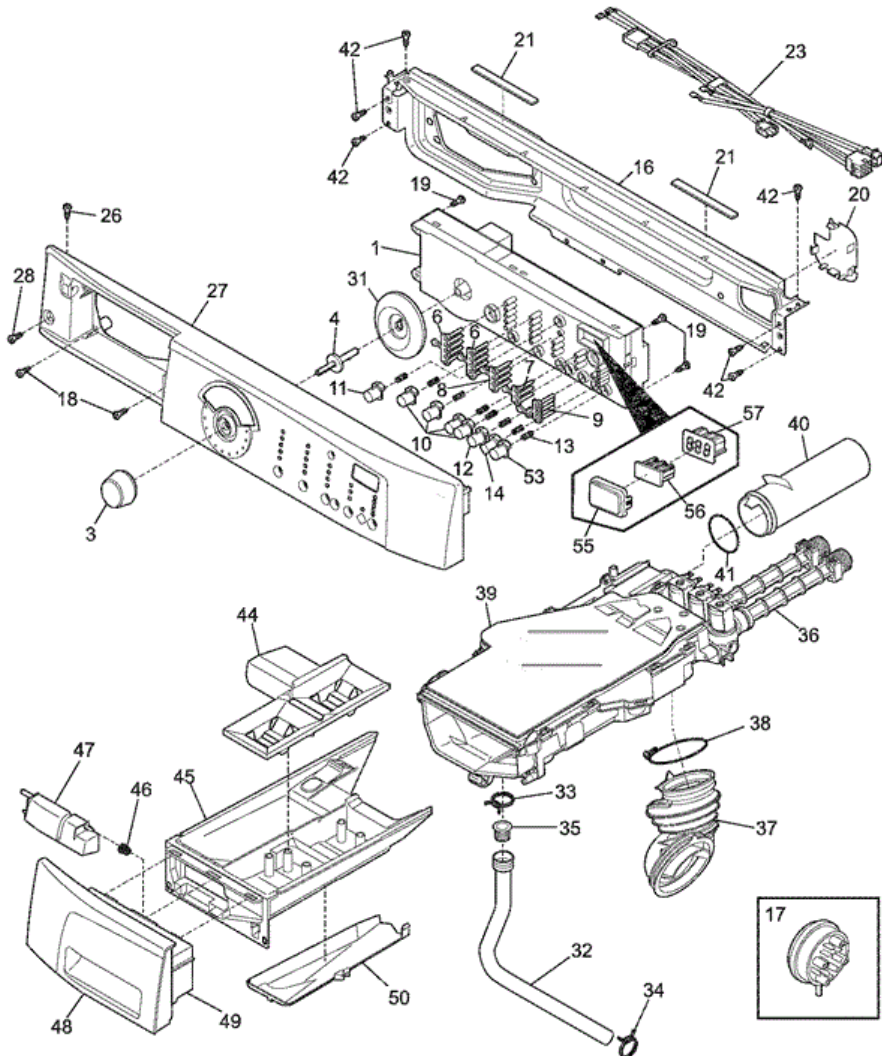


**GLTF2940ES3 TABLERO**





## GLTF2940ES3 TABLERO

3	134471500	KNOB,PROGRAM
4	134347700	PIN,PROGRAM KNOB
6	134429100	LIGHT PIPE,ARRAY ,1 ROW OF 5
7	134429300	LIGHT PIPE,ARRAY ,3 ROW OF 3
8	134429200	LIGHT PIPE,ARRAY ,2 ROW OF 4
9	134429400	LIGHT PIPE,ARRAY ,4 START GROUP
10	134447100	PUSH BUTTON,NO.1
11	134447500	PUSH BUTTON,NO.5
12	134447400	PUSH BUTTON,NO.4
13	134349400	SPRING,PUSH BUTTON
14	134447201	PUSH BUTTON,NO.2
16	134364800	BRACKET,TOP FRONT
18	131302800	SCREW,10-16AB X 0.375
19	134402900	SCREW,PHILLIPS ,6-19 X 0.650
20	134452600	COVER,HOLE PLUG
21	134407900	DAMPENER,VIBRATION
26	131205100	SCREW,NO.8 PAN HEAD ,10-10B X 0.500 ,CR/SQ DRIVE
27	134442700	PANEL,CONTROL CONSOLE
28	131205300	SCREW,10-16 X 0.750
31	134441300	BEZEL,KNOB FLANGE
32	134371700	HOSE,DISP-TO-BELLOWS
33	131306216	CLAMP
34	134446300	CLAMP,HOSE ,BELLOWS
35	134371800	GASKET,DISP HOSE SEAL
37	134372300	HOSE,DISP-TO-TUB
38	134372400	CLAMP,TUB HOSE
39	134446120	HOUSING,DISPENSER ,W/VALVE,COVER
40	134372100	TUBE,DISP-TO-OVERFLO
41	134372200	O-RING,OVERFLOW TUBE
42	131168200	SCREW,PAN HEAD ,8-18B X 0.31
44	134370200	COVER,DISPENSER
45	134370000	DRAWER,DISPENSER
46	134349500	SPRING,DOOR LATCH

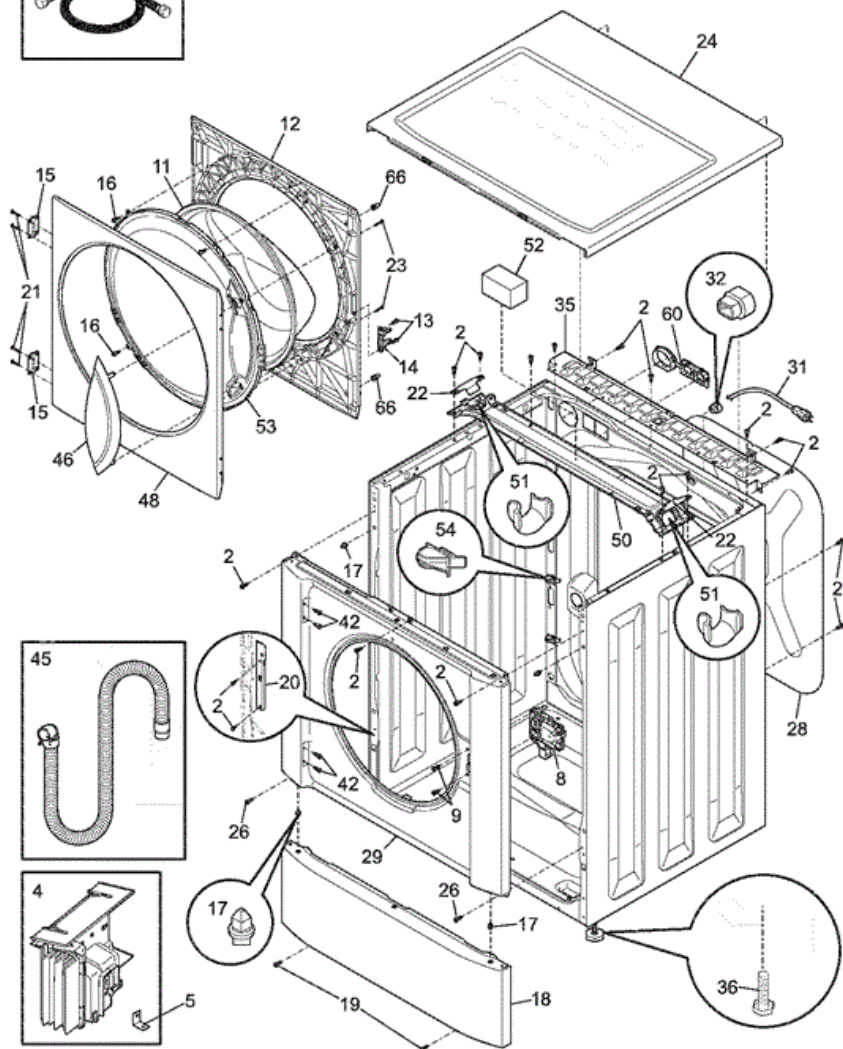
47	134386500	LATCH,DISPENSER ,SLIDER LOCK
48	134465800	HANDLE,DISPENSER ,FRONT
49	134386200	FRAME,DRAWER HANDLE
50	134370100	CONVEYOR,DISPENSER ,LOWER
53	134447301	PUSH BUTTON,NO.3
55	134428900	LENS,DIGITAL DISPLAY
56	134503400	LIGHT PIPE,DIGITAL DISPLAY
F1	134732003	CONTROL BOARD,PC ,WITH HOUSING
F17	134407800	SWITCH,PRESSURE ,ANALOG
F23	134436600	WIRING HARNESS,CONTROLS
F36	134371220	VALVE,DISPENSER ,NTC/SHORT TUBE
F57	134503300	DISPLAY,DIGITAL
NI	131311900	SCREW,QUADREX PH ,8-18AB X 0.500
NI	134371300	GASKET,DISP-TO-VALVE
NI	134543100	WIRING HARNESS,MAIN

Distribuidor Autorizado

SurteRápido.com

Venta de Refacciones  
Electrodomesticas

## GLTF2940ES3 GABINETE





## GLTF2940ES3 GABINETE

1	131454100	HOSE,WATER INLET ,4 FT. ,HOSE & WASHER
2	131168200	SCREW,PAN HEAD ,8-18B X 0.31
5	134522900	BRACKET,ANGLE ,MOTOR CONTROL
9	131303300	SCREW,PAN HEAD ,10-16AB X 0.500 ,LOCKING
11	134366400	PANEL,DOOR GLASS
12	134507301	PANEL,INNER DOOR ,WITH BUMPER
13	131302901	SCREW,10-16 X 0.750
14	131763310	STRIKER,DOOR/LOCK/SW
15	134412400	HINGE,DOOR
16	134178901	SCREW,8-18AB X 0.455
17	134408700	CLIP,ASSEMBLY
18	134321702	PANEL,FRONT SERVICE ,WHITE
19	131258400	SCREW,10-16AB X 0.500
20	134434901	BRACKET,LS PANEL ,REINFORCEMENT
21	134424700	SCREW,COMB FLAT HEAD ,8-18AB X 0.75
22	134364700	RETAINER,SPRING STEEL
23	134522100	SCREW,NO.12 FLAT HEAD ,10-14P ,QUAD DRIVE
24	134365000	PANEL,WORK TOP ,WHITE
26	134521600	SCREW,HEX WASHER HEAD ,M5 0.8 X 15
28	134364300	PANEL,SERVICE ACCESS ,REAR
29	134363300	PANEL,CABINET FRONT ,WHITE
32	5303209428	BUSHING,POWER CORD
35	134365100	BRACKET,TOP SUPPORT ,REAR
36	134548800	LEVELING LEG,SCREW ,PLASTIC
42	134156200	SCREW,FLAT HEAD ,8-18AB X 0.44 ,QUAD DRIVE
46	134472202	HANDLE,DOOR
48	134412103	PANEL,OUTER DOOR ,WHITE
50	134364600	BRACKET,TUB SUSPENSION
51	134562100	PROTECTOR,TUB BRKT ,SPRING HOOK ,(2)
52	131931202	DAMPENER,VIBRATION ,FOAM
53	134507403	ADAPTER,DOOR GLASS RING
54	134364900	FASTENER,WIRE HARN CLIP
60	134372000	GROMMET,DISPENSER ,BACK PANEL

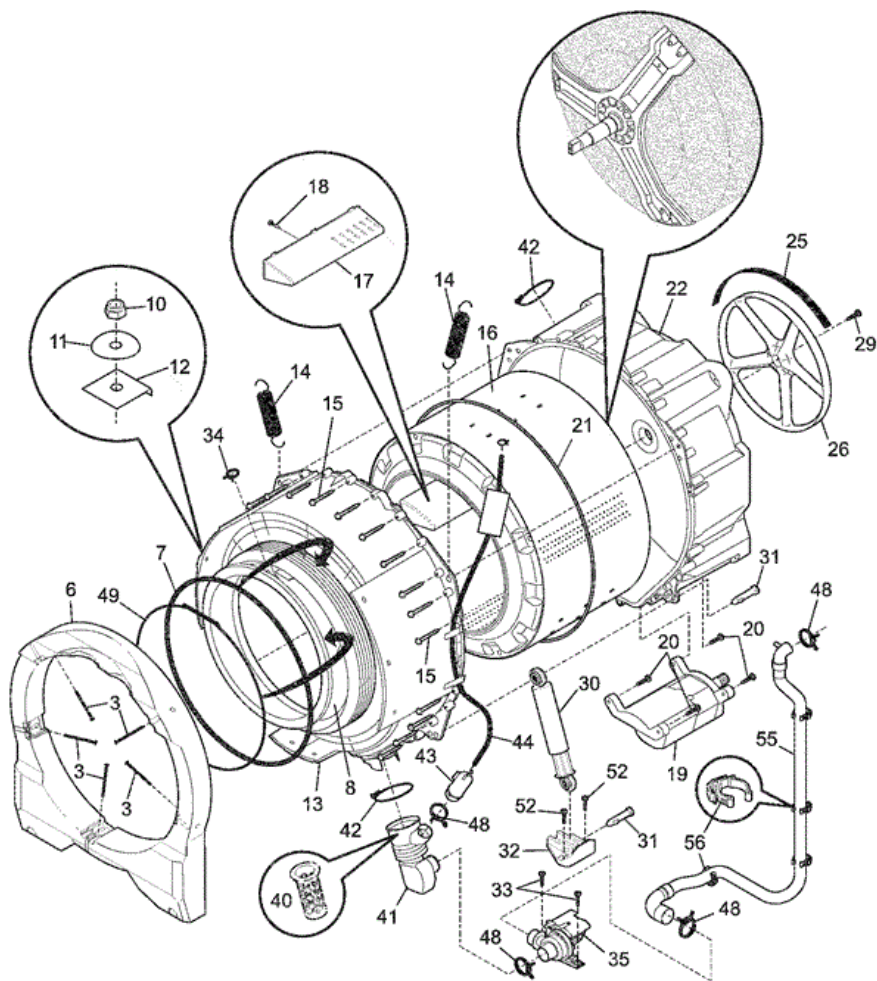
66	134366500	BUMPER,DOOR
F31	134501000	POWER CORD,ELECTRIC SVCE
F4	134409902	CONTROL BOARD,MOTOR
F45	134369400	HOSE,DRAIN ,EXTERNAL
F8	131763200	DOOR LOCK/SWITCH ASSY
NI	134434900	BRACKET,RS PANEL ,REINFORCEMENT
NI	134547600	WIRING HARNESS,MOTOR CONTROL
NI	134591500	PLUG ASSY,SHIPPING HOLES ,BACK
NI	134596200	SHIPPING SUPPORT KIT
NI	134606800	WIRING HARNESS,DOOR SWITCH

Distribuidor Autorizado

SurteRápido.com

Venta de Refacciones  
Electrodomesticas

# GLTF2940ES3 TAMBOR





## GLTF2940ES3 TAMBOR

3	131793303	BOLT,CARRIAGE ,1/4-20 X 2.60
6	134362200	COUNTERWEIGHT,FRONT ,ONE PIECE
7	134365300	SPRING,BELLOWS CLAMP ,RETAINER
8	134365200	BELLOWS,DOOR BOOT
10	131304700	NUT,HEX ,1/4-20 UNC-2B ,(2)
11	131276900	WASHER,BELLVILLE ,SPRING STEEL
12	134430600	PLATE,COUNTERWEIGHT
13	134362000	SHELL,TUB ,FRONT
15	134408300	SCREW,HEX HEAD ,6.5 X 51 MM
16	134360900	DRUM ASSY,SPIN BASKET
17	134509600	VANE KIT,DRUM
18	131302800	SCREW,10-16AB X 0.375
20	131303500	SCREW,12-14AB X 1.50 ,MOTOR MTG.
21	134361900	O-RING,TUB
22	134509510	SHELL,OUTER TUB ,REAR ,W/BEARING,SEAL
29	134408400	SCREW,10.9 CLASS ,M10 X 25 MM
30	134560400	SHOCK ABSORBER,DUAL STAGE
31	131268300	PIN,SHOCK MTG.
32	134363200	BRACKET,SHOCK MTG.
33	134160900	SCREW,QUADREX ,10-16AB X 0.750
34	134446300	CLAMP,HOSE ,BELLOWS
40	134565200	FILTER,PUMP
41	134455900	HOSE,DRAIN ,TUB>PUMP ,COIN TRAP
42	131333101	CLAMP
43	134369000	CHAMBER,AIR
44	134369900	HOSE,AIR PRESSURE
48	131306234	CLAMP,HOSE ,WIRE
49	134527100	CLAMP,BELLOWS ,SPRING HELD
52	131202300	SCREW,10-16AB X 0.625
56	134369800	FASTENER,HOSE CLIP ,(3)
F14	134362800	SPRING ASSY,SUSPENSION
F19	134362500	MOTOR,120 V
F25	134051001	BELT,DRIVE ,POLY-V ,6-RIB



F26	134362600	PULLEY,DRUM DRIVE ,LARGE ,REAR
F35	134051200	PUMP,DRAIN
F55	134679000	HOSE,INTERNAL DRAIN
NI	134261300	CLIP,DRAIN HOSE ,PUSH-MOUNT