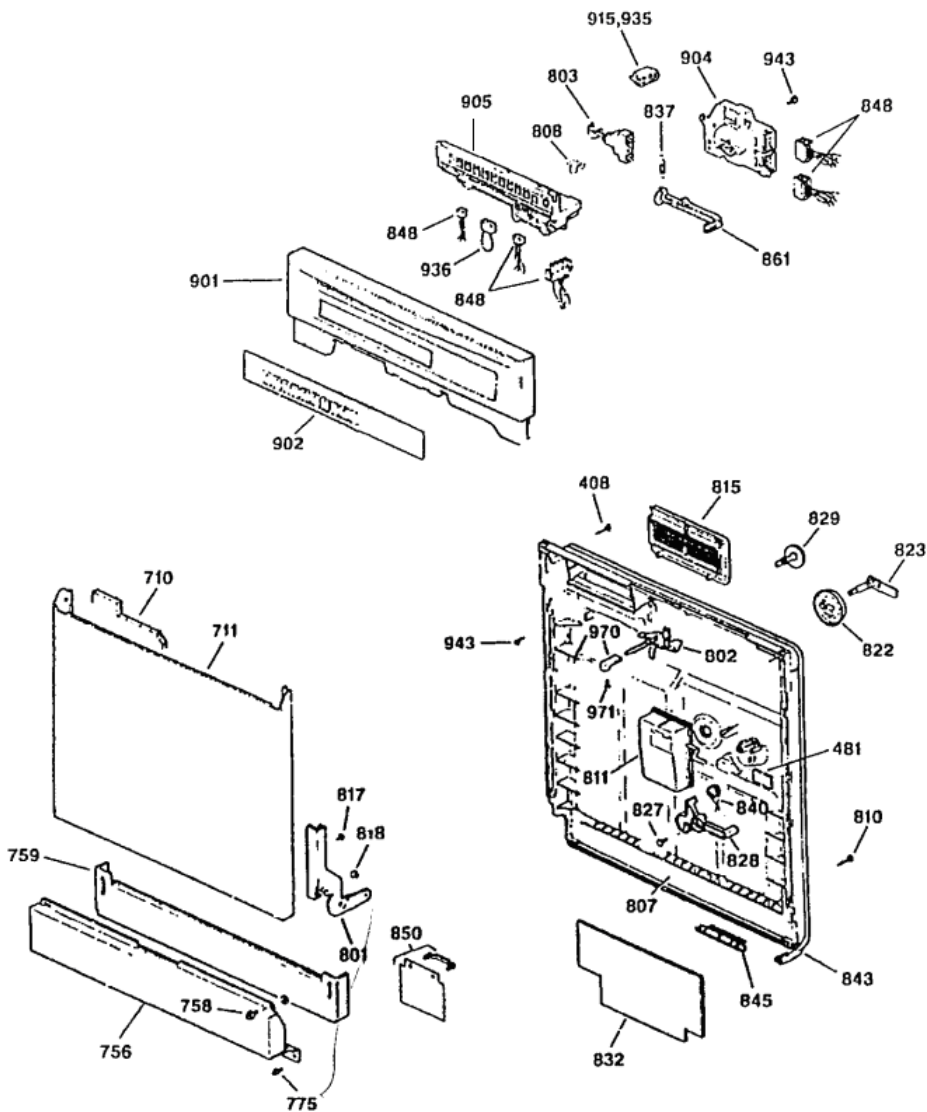


Distribuidor Autorizado

SurteRápido.com

Venta de Refacciones
Electrodomesticas

GLV1426Z00WW TABLERO





GLV1426Z00WW TABLERO

408	WD2X322	SCREW (S/P)
481	WD1X10016	DEFLECTOR (S/P)
710	WD2M203	INSULATION (S/P)
711	WD31X10025	PANEL FRONT (S/P)
756	WD27X10225	PANEL ACCESS ASM. (S/P)
758	WD2X323	SCREW (S/P)
759	WD27X10170	TOE KLCK ASM. (S/P)
775A	WD2X435	SCREW (S/P)
775B	WD2X5166	SCREW (S/P)
801A	WD14M9	ARM HINGE, COMPLETE L.H (S/P)
801B	WD14M10	ARM HINGE, COMPLETE R.H DESCONTINUADO
802	WD13X71	LATCH ASM. (S/P)
803	WD6X10002	SWITCH, INTERLOCK ASM (S/P)
807	WD31M65	DOOR, INNER (S/P)
808	WR2X4039	CLIP, ADHESIVE (S/P)
810	WD2X322	SCREW (S/P)
811	WD12X398	RINSE AID INJECTION ASM. (S/P)
815	WD12X10026	VENT ASM (S/P)
817	WD1X550	SCREW (S/P)
818	WD12X231	BEARING, HINGE ARM (S/P)
822	WD16X297	COVER, DETERGENT CUP (S/P)
823	WD16X313	SHAFL/ HANDLE, DETERGENT CUP (S/P)
827	WD2X425	SCREW (S/P)
828	WD16X10002	LATCH, DETERGENT CUP DESCONTINUADO
829	WD12X409	RINSE AID DISPENSER ASM. (S/P)
832	WD1X1469	DAMPER, SOUND (S/P)
837	WD3X749	SPRING, TIMER LEVER (S/P)
840	WD3X764	SPRING, DETERGENT TRIP (S/P)
843	WD8X10016	GASKET, DOOR
845	WD8X10015	GASKET, INSERT (S/P)
848	WD21X10026	HARNESS, PROD SERV (S/P)
850	WD12X338	SHIELD, DRIP (S/P)
861	WD12X10019	LEVER, SWITCH (S/P)

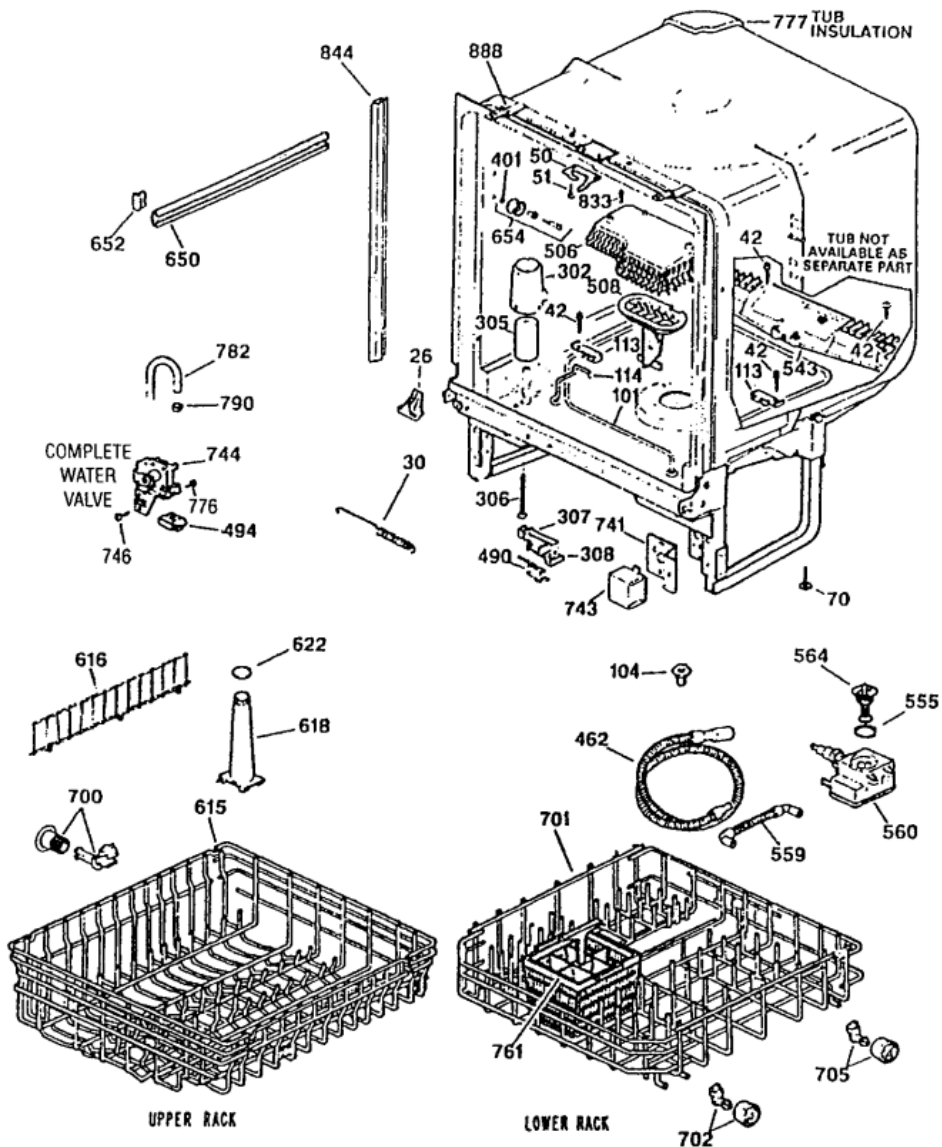
901	WD34X10038	ESCUTCHEON (WHITE) (S/P)
902	WD34X10029	INSERT, ESCUTCHEON (WHITE) DESCONTINUADO
904	WD21X10018	SWITCH SEQUENCE (S/P)
905	WD21X10100	CONTROL ASM (S/P)
915A	WD1X1433	HOUSING, TERMINAL (S/P)
915B	WD1X1432	HOUSING, TERMINAL (BLACK) (S/P)
935	WD1X1434	TERMINAL, SPECIAL (S/P)
936	WD21X10026	CONNECTOR, MODEL SELECTOR (S/P)
943	WZ5X219	SCREW (S/P)
970	WD9X352	KNOB, LATCH HANDLE (S/P)
971	WZ2X45	SCREW, LATCH KNOB (S/P)

Distribuidor Autorizado

SurteRápido.com

Venta de Refacciones
Electrodomesticas

GLV1426Z00WW GABINETE





GLV1426Z00WW GABINETE

26A	WD8X227	BAFFLE, TUB CORNER (S/P)
26B	WD8X228	BAFFLE, TUB CORNER (S/P)
30	WD2X10003	SPRING, DOOR (S/P)
42	WZ4X376	SCREW DESCONTINUADO
50	WD13X67	KEEPER, LATCH (S/P)
51	WZ2X492	SCREW (S/P)
70	WD2X320	SCREW, LEVEL (S/P)
101	WD5M6	ELEMENT, HEATING ASM. (S/P)
104	WD1X1491	NUT, LOWER HEATER (S/P)
113	WD1X1430	SUPPORT ASM. (S/P)
114	WD1X1472	SUPPORT, HEATER (S/P)
302	WD12X445	DOME, FLOAT (S/P)
305	WD12X334	FLOAT, FLOOD (S/P)
306	WD12X335	STEM, FLOAT (S/P)
307	WD12X10023	BRACKET, FLOOD SWITCH (S/P)
308	WD12X377	COVER, BRACKET (S/P)
401	WD3X767	WASHER (ST STL) (S/P)
462	WD24X10003	DRAIN TUBE ASM. (S/P)
490	WD21X479	SWITCH, FLOOD (S/P)
494	WD1X1459	INSULATOR, HOUSING TERMINAL (S/P)
506	WD12X417	COVER, INLET (S/P)
508	WD12X418	CAP, SUMP (S/P)
543	WD22X149	FILTER, FRAME ASM (S/P)
555	WD8X219	GASKET, VALVE BODY (S/P)
559	WD24X221	CHAMBER, HOSE (S/P)
560	WD22X10024	BODY VALVE CHECK ASM. (S/P)
564	WD24X10018	PISTON & NUT ASM (S/P)
615	WD28X10220	UPPER RACK & ROLLER ASM (S/P)
616	WD28X297	SHELF, CUP (S/P)
618	WD28X10232	TOWER, UPPER RACK (S/P)
622	WD28X10007	CAP, TOWER UPPER (S/P)
650	WD12M77	SLIDE, RACK (S/P)
652	WD12X10304	END CAP, RACK SLIDE (S/P)

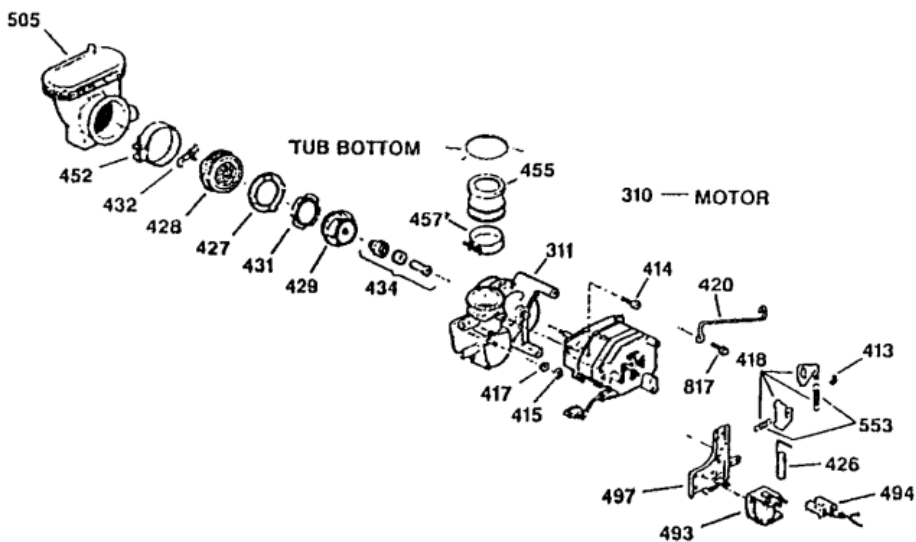
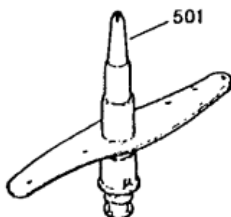
654	WD12X332	ROLLER STUD ASM (S/P)
700	WD12X383	4 RLR STD. AS. UPPER RACK (S/P)
701	WD28X10001	RACK LOWER, ROLLER (S/P)
702	WD12X271	ROLLER ASM, LOWER RACK FRONT (S/P)
705	WD12X10267	ROLLER ASM, LOWER RACK REAR (S/P)
741	WD12X447	BRACKET, JUNCTION BOX (S/P)
743	WD12X448	COVER, JUNCTION BOX (S/P)
744	WD15X93	VALVE, WATER INTEL
746	WD2X248	SCREW (S/P)
761	WD28X265	BASKET, SILVERWARE (S/P)
776	WZ5X222	SCREW (S/P)
777	WD2M189	INSULATION TUB (S/P)
782	WD18X202	HOSE, WATER INTEL (S/P)
790	WH1X2036	CLAMP HOSE (S/P)
833	WD2X295	SCREW (S/P)
888	WD2M162	BRACKET, COUNTER (S/P)

Distribuidor Autorizado

SurteRápido.com

Venta de Refacciones
Electrodomesticas

GLV1426Z00WW MOTOR





GLV1426Z00WW MOTOR

310	WD26X10013	MECHANISM S/S ASM
311	WD19X10013	HOUSING, PUMP ASM DESCONTINUADO
413	WD3X487	PS RETAINER (S/P)
414	WD2X444	SCREW (S/P)
415	WD2X7054	NUT, PUSH ON (S/P)
417	WD8X181	SEAL, GALE SHAFL (S/P)
418	WD35X192	ARM KIT, GATE VALVE (S/P)
420	WD1X1482	HANGER, MECHANISM (S/P)
426	WD1X1316	ARMATURE, LINK ASM. (S/P)
427	WD19X10032	BASE, WEAR RING
428	WD12X10018	GRADER NUT (S/P)
429	WD19X10032	IMPELLER ASM.
431	WD19X10032	RING, WEAR
432	WD1X10018	BLADE AND SHAFL (S/P)
434	WD19X10032	PUMP SEAL ASM.
452	WD1X1392	CLAMP, SUMP (S/P)
455	WD18X214	CONNECTOR, PUMP ASM. (S/P)
457	WD1X1376	CLAMP (S/P)
493	WD21X802	SOLENOID
494	WD1X1459	INSULATOR, HOUSING TERMINAL (S/P)
497	WD1X1439	BRACKET, SOLENOID (S/P)
501	WD22X10008	SPRAY ARM ASM. (S/P)
505	WD18X213	INLET, SUMP (S/P)
553	WD3X721	SPRING SET (S/P)
817A	WD1X550	SCREW (S/P)
817B	WD2X445	SCREW (S/P)