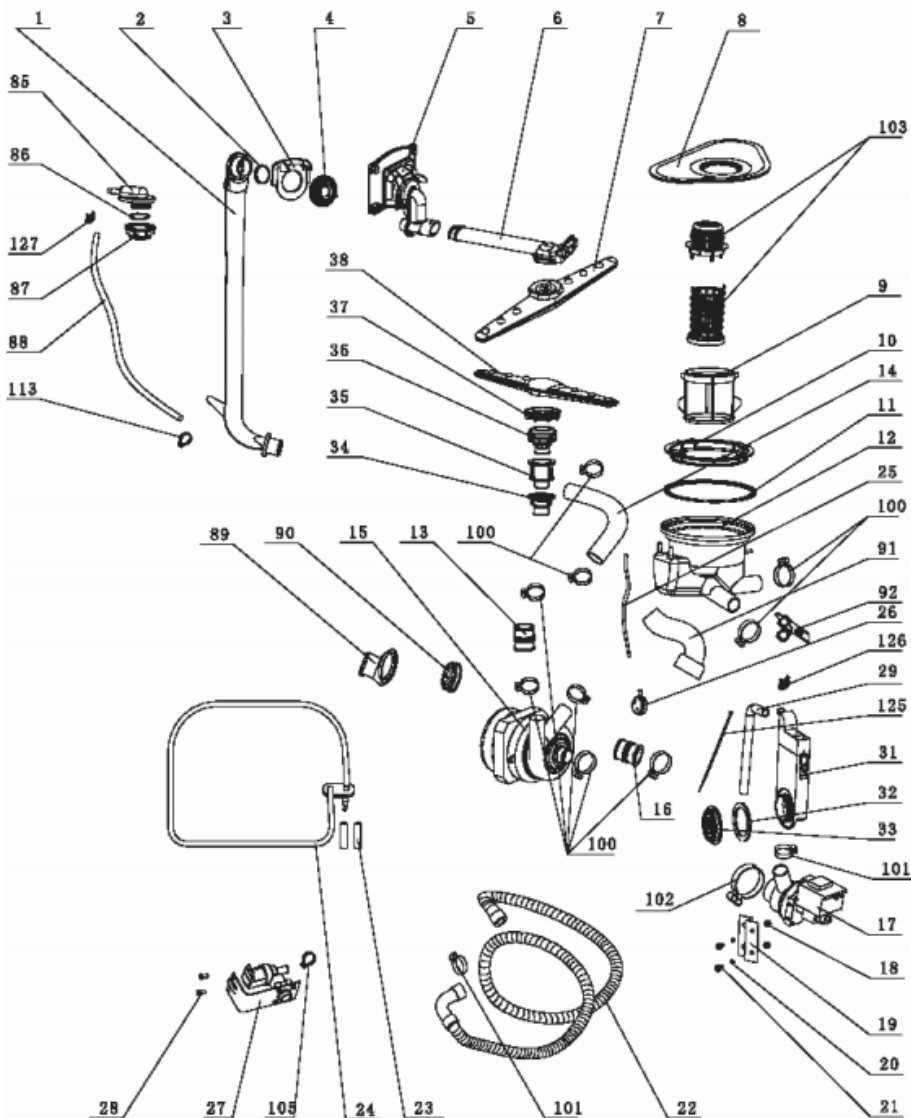


Distribuidor Autorizado

SurteRápido.com

Venta de Refacciones  
Electrodomesticas

GLV1440XSS

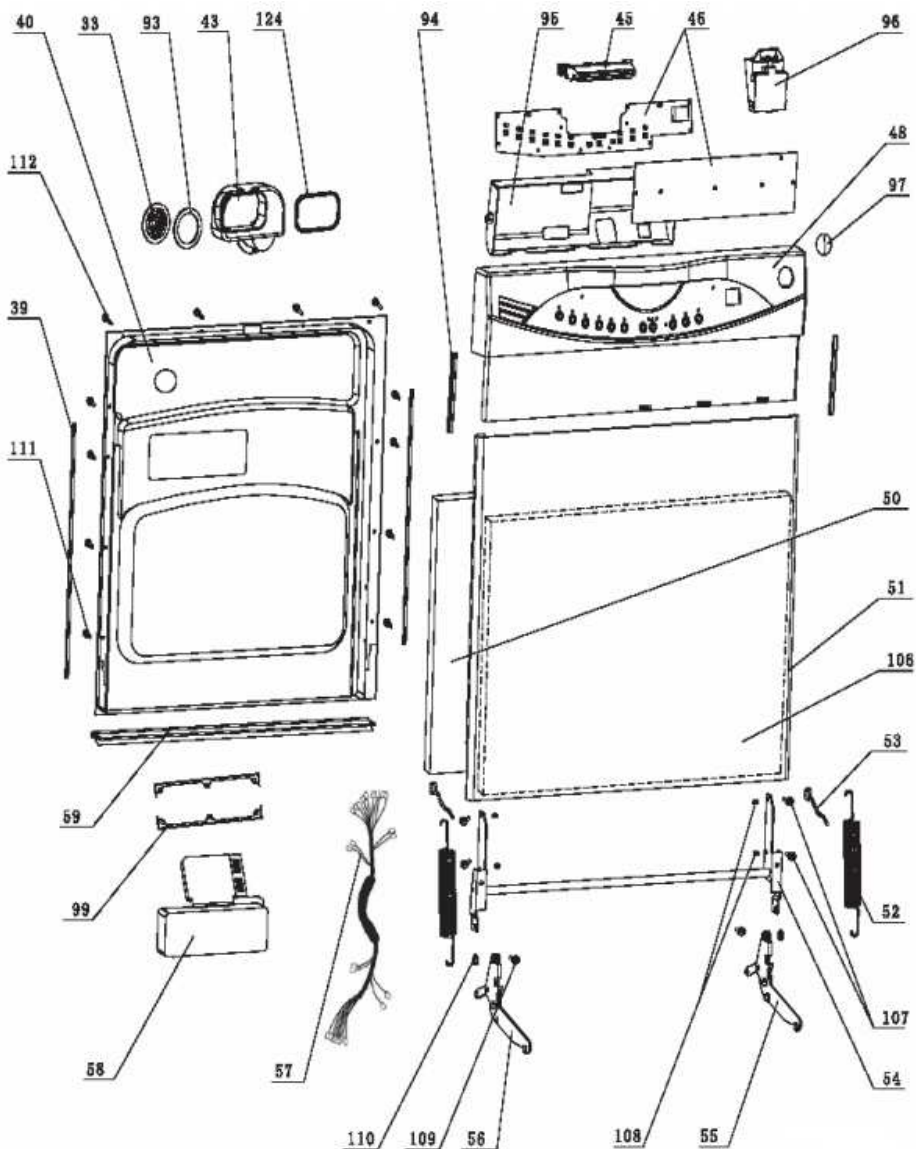


Distribuidor Autorizado

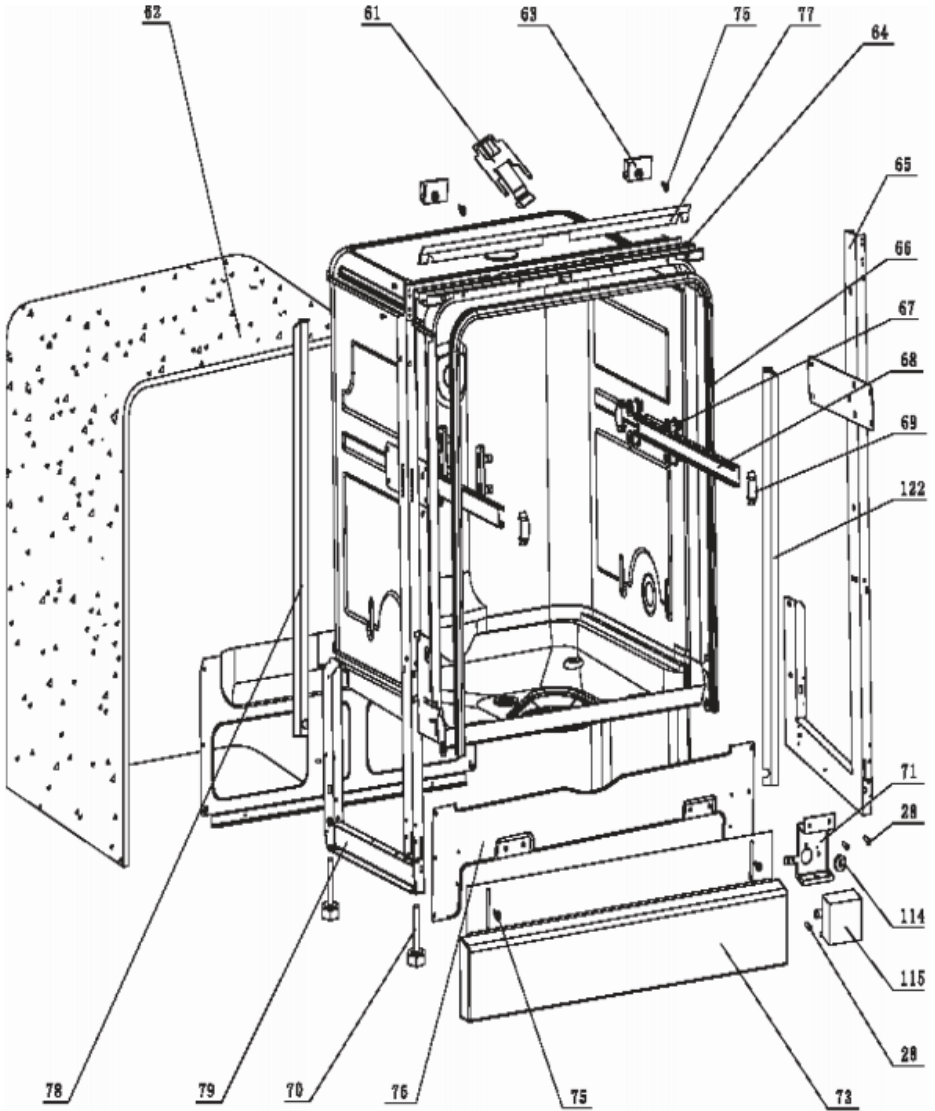
SurteRápido.com

Venta de Refacciones  
Electrodomesticas

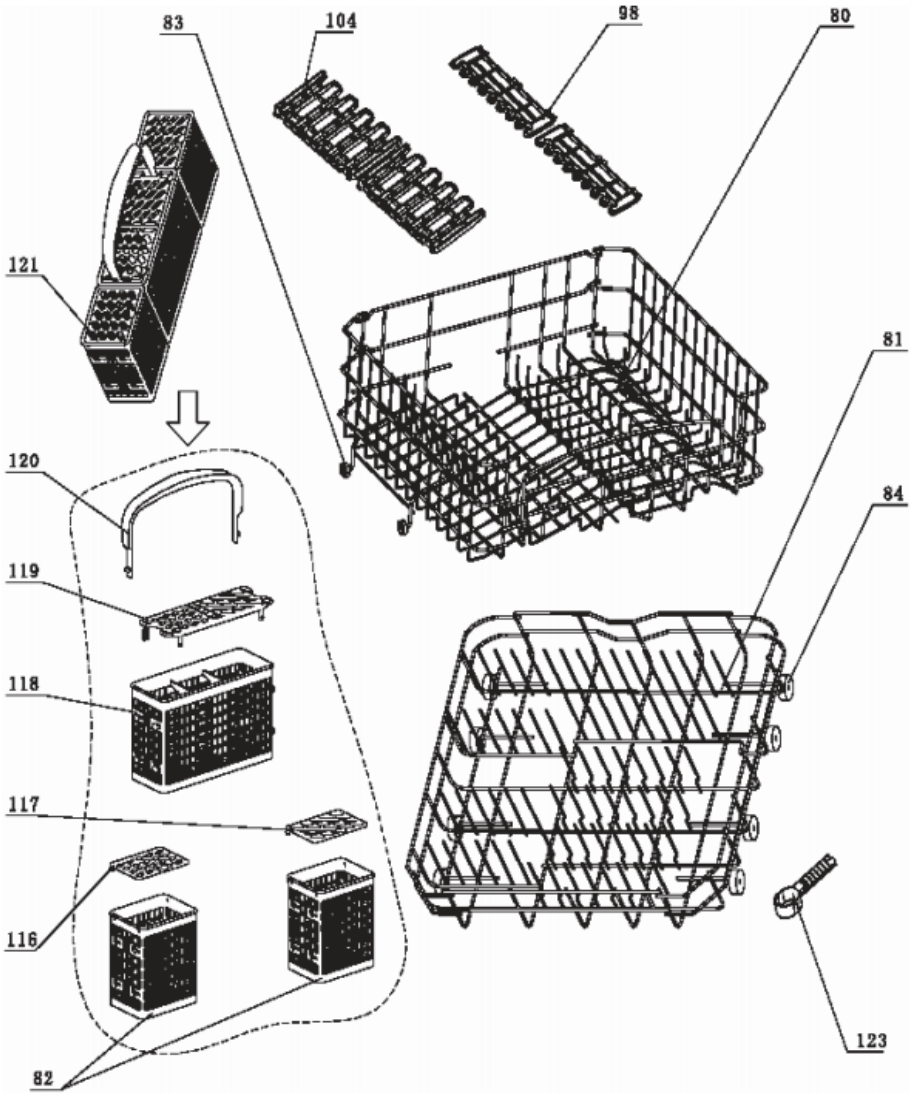
GLV1440XSS



**GLV1440XSS**



**GLV1440XSS**





**GLV1440XSS**

1	672030090111	MAIN CONDUIT & CLAMPS (S/P)
2	672030150007	O RING (S/P)
3	672030511003	GUIDE CASING (S/P)
4	672030160021	WXTERNAL FEEDING DUCT RING NUT (S/P)
5	672030520013	WATER DISPENSER ASSEMBLY (S/P)
6	672030090097	CONDUIT - UPPER SPRAY (S/P)
7	672030030020	UPPER SPRAY ASM & GASKET (S/P)
8	672030590001	FILTER SS (S/P)
9	672030590016	MICROFILTER (S/P)
10	682030160008	SUMP CLAMPING NUT (S/P)
11	682030150019	SUMP GASKET (S/P)
12	672030070016	SUMP & CLAMPS (S/P)
13	672030090110	CONNECTING DUCT & CLAMPS (S/P)
14	672030090108	PUMP HOSE & CLAMPS (S/P)
15	672050250030	MOTOR PUMP ASM & CLAMPS (S/P)
16	672030090110	HOSE CONNECTOR & CLAMPS (S/P)
17	672050250031	DRAIN PUMP & CLAMPS (S/P)
18	682010300001	NUT (S/P)
19	682010110002	MOUNTING PLATE (S/P)
20	682010130004	STAR WASHER (S/P)
21	682010200004	SCREW (S/P)
22	672030090107	HOSE DRAIN & CLAMPS (S/P)
23	682030540002	INSULATING SLEEVE (S/P)
24	672050310028	HEATING ELEMENT ASM (S/P)
25	682030090083	HOSE - PRESSURE SWITCH (S/P)
26	682050210016	PRESSURE SWITCH (S/P)
27	672050200014	WATER VALVE W/SCR & CLAMPS (S/P)
28	682010200034	SCREW (S/P)
29	682030090064	FILL HOSE (S/P)
31	682030600002	FILL FUNNEL (S/P)
32	682030150024	GUIDE RAIL (S/P)

33	672030160024	GUIDE RAIL BRACKET ASM (S/P)
34	672030120021	TUB GASKET (S/P)
35	672030120020	RIGHT FRAME (S/P)
36	672030030021	UPPER FRONT BRACE BK (S/P)
37	672030160023	HOOK BK (S/P)
38	672010140002	TUB INSULATION (S/P)
39	672030530009	DOOR STRIKE (S/P)
40	672010870045	DOOR GASKET ASM (S/P)
43	672030600008	DETERGENT DISPENSER (S/P)
45	672030510125	HARNESS (S/P)
46	672050300046	HINGE ASM & SCREWS LH (S/P)
48	672030040863	HINGE ASM & SCREWS RH (S/P)
50	672060400498	HINGE ASSEMBLY (S/P)
51	672010830096	PIN HINGE SPRING (S/P)
52	672010100005	DOOR HINGE STAINLESS (S/P)
53	682010400001	OUTER DOOR STAINLESS (S/P)
54	672010610004	DOOR FOAM (S/P)
55	672010700016	ESCUTCHEON ASSEMBLY BK (S/P)
56	672010700015	BOARD POWER & TACTILE (S/P)
57	672050010181	HANDLE ASM BK (S/P)
58	672050270019	VENT CONNECTING (S/P)
59	672030170007	INNER DOOR (S/P)
61	672010100019	EDGE GUARD BK (S/P)
62	672060400041	LOWER SPRAY ASM (S/P)
63	682030130013	CONNECTING RING NUT (S/P)
64	672010800117	LOWER SPRAY SHIFT (S/P)
65	672010860019	LOWER MANIFOLD SUPPORT (S/P)
66	672030170013	RING NUT & CLAMPS (S/P)
67	672030140055	RING NUT W/GASKET (S/P)
68	682010820001	O RING (S/P)
69	672030130039	CAP - GUIDE RAIL (S/P)
70	672030110055	LEVELING LEG (S/P)
71	672010600016	JUNCTION B (S/P)
73	672010809997	TOE KICK BK (S/P)
75	672010200013	SCREW (S/P)
76	672010800105	LOWER FRONT BRACE (S/P)

77	672030530053	TOP TRIM BK (S/P)
78	672030530051	SIDE TRIMLEFT BK (S/P)
79	672010860020	LEFT FRAME (S/P)
80	672010160071	UPPER RACK ASM (S/P)
81	672010160072	LOWER RACK ASM (S/P)
82	672030550035	BASKET SILVERWARE END (S/P)
83	672030100013	UPPER RACK ROLLER & STUD (S/P)
84	672030100014	LOWER RACK ROLLER & STUD (S/P)
85	672030120018	SPRINKLER ADAPTOR (S/P)
86	682030150007	O RING (S/P)
87	672030091000	SPRINKLER NOZZLE (S/P)
88	672030090112	HOSE TOP SPRAY & CLAMPS (S/P)
89	672010110009	MOTOR SUPPORT (S/P)
90	672030150020	CUSHION (S/P)
91	672030090113	HOSE SUMP DRAIN & CLAMPS (S/P)
92	672050280028	THERMOSTAT AND SUPPORT (S/P)
93	672030150024	O-RING (S/P)
94	672030530009	MAKEUP TRIM BK (S/P)
95	672030140030	PCB COVER (S/P)
96	672030510126	DOOR SWITCH ASM (S/P)
97	672030640131	CLAMP - SQUEEZE 0.5 (S/P)
98	672030130101	CLAMP - SQUEEZE 0.6 (S/P)
99	672010820002	WIRE TIE 7-7/8 (S/P)
100	672010150020	VENT GUARD RING (S/P)
101	672010150020	DETERGENT SCOOP (S/P)
102	672010150009	SIDE TRIM RIGHT BK (S/P)
103	672030599019	BASKET 7-PIECE (S/P)
104	672030130102	HANDLE BASKET (S/P)
105	672010150021	LID BASKET (S/P)
106	672060400044	BASKET SILVERWARE MIDDLE (S/P)
107	672010200001	LID BASKET (S/P)
108	672010300004	LID BASKET (S/P)
109	672010420001	JUNCTION A (S/P)
110	672010130006	JUNCTION GUARD RING (S/P)
111	672010200018	CLAMP 1/2 — 29/32 (S/P)
112	672010200017	CROSS RECESSED TAPPING SCREW ST3.5x16 (S/P)

113	672010150021	CROSS RECESSED TAPPING SCREW ST3.5x13 (S/P)
114	672030150025	SPRING WASHER (S/P)
115	672010600007	JOINT PIN (S/P)
116	672030550037	LOCKNUT M5 (S/P)
117	672030550038	CROSS RECESSED SCREW M5x10 (S/P)
118	672030550034	OUTER DOOR INSULATION (S/P)
119	672030550036	CLAMP 1/2 — 29/32 (S/P)
120	672030550039	CUP RACK (S/P)
121	672030550044	UPPER & LOWER FILTERS PLASTIC (S/P)
122	672030530052	CLAMP 1-3/16 — 1-3/4 (S/P)
123	672030550003	CLAMP 15/16 — 1-1/2 (S/P)
124	672030170035	CLAMP 15/16 — 1-1/2 (S/P)
125	672030580006	DISPENSER LOCKER (S/P)
126	672010150011	RACK STEMWARE (S/P)
127	672010150010	GE PLATE WITH TRADEMARK BK (S/P)