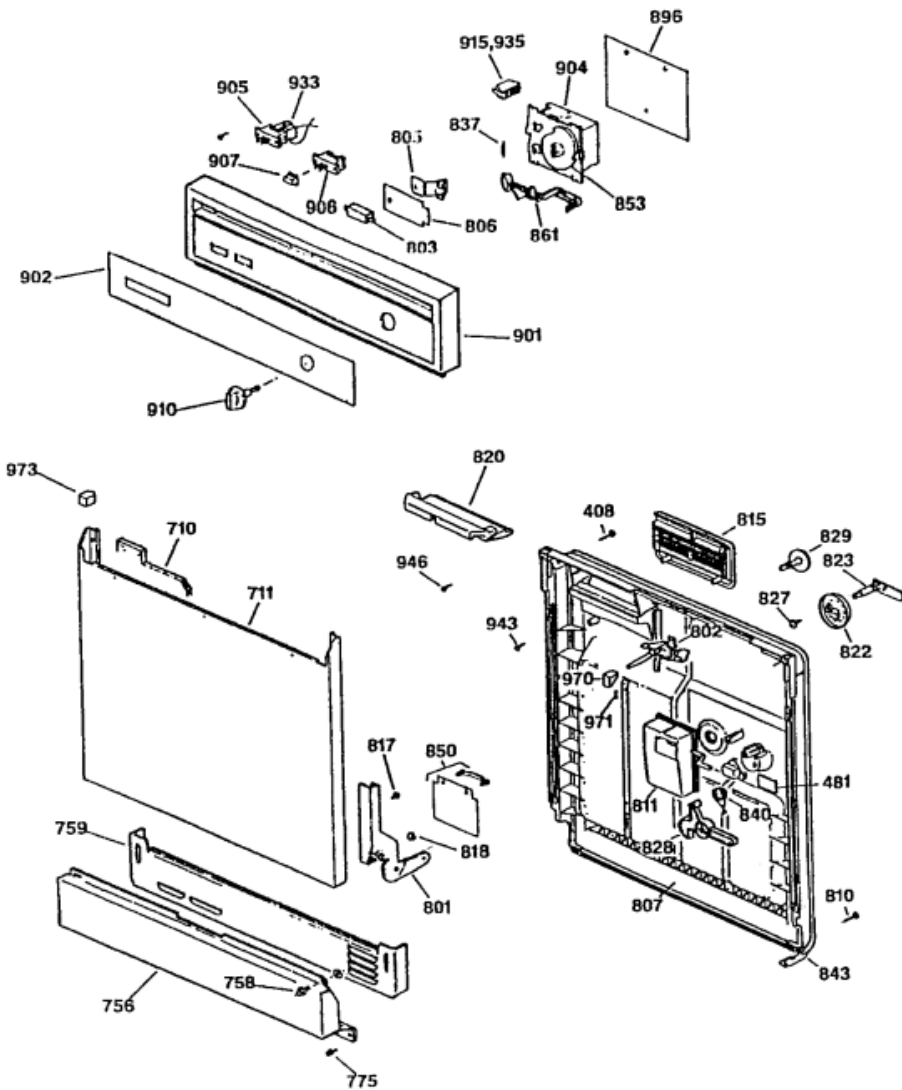


Distribuidor Autorizado

SurteRápido.com

Venta de Refacciones
Electrodomesticas

GLV1514Z00B





GLV1514Z00B

40B	WD2X322	SCREW (S/P)
481	WD1X10016	DEFLECTOR (S/P)
710	WD2M203	INSULATION (S/P)
711B	WD31X10010	PANEL FRONTAL (S/P)
756B	WD27X10008	PANEL ACCESS ASM. (S/P)
758	WD2X323	SCREW (S/P)
759A	WD27X10020	TOE KICK SAM. (S/P)
775A	WD2X5166	SCREW (S/P)
775B	WD2X435	SCREW (S/P)
801A	WD14M10	ARM HINGE COMPLETE R.H (S/P)
801B	WD14M9	ARM HINGE COMPLETE L.H (S/P)
802	WD13X69	LATCH ASM. (S/P)
803	WD21X557	SWITCH INTERLOCK
805	WD1X1363	SWITCH LEAF ASM (S/P)
806	WD12X370	SHIELD SWITCH (S/P)
807	WD31M65	DOOR INNER (S/P)
810	WD2X322	SCREW (S/P)
811	WD12X398	RINSE AID INJECTION ASM
815	WD12X10026	VENT. ASM (S/P)
817	WD1X550	SCREW (S/P)
818	WD12X231	BEARING HINGE (S/P)
820	WD1X1467	VONT PAD (S/P)
822	WD16X297	COVER DETERGENT CUP (S/P)
823	WD16X313	SHAF/L/ HANDLE DETERGENT CUP (S/P)
827	WD2X425	SCREW (S/P)
828	WD16X292	LATCH DETERGENT CUP (S/P)
829	WD12X409	CAP FILT (S/P)
837	WD3X749	SPRING TIMER LEVER (S/P)
840	WD3X764	SPRING DETERGENT TRIP (S/P)
843	WD8X10007	GASKET DOOR (S/P)
850	WD12X338	SHIELD DRIP (S/P)
853	WD16X10001	CAM TIMER (S/P)
861	WD12X324	LEVER DETERGENT TIMER (S/P)

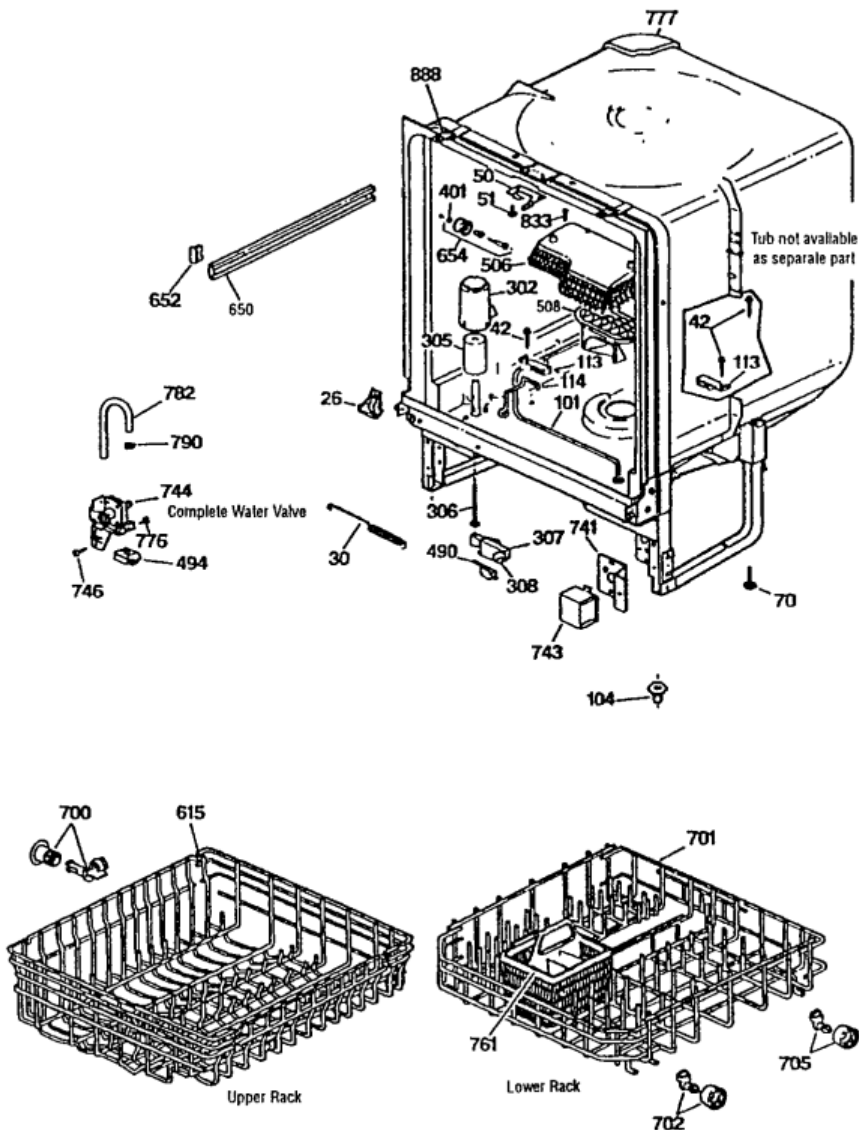
896	WD2M197	SHIELD TIMER (S/P)
901A	WD34X10172	ESCUTCHEON (S/P)
902A	WD34M804	INSERT, ESCUTCHEON (S/P)
904	WD21X10013	TIMER (S/P)
907A	WD9X355	PUSH BUTTON (S/P)
910B	WD9X349	KNOB TIMER (S/P)
915	WD1X1432	HOUSING TERMINL (S/P)
933	WD35X10014	SWITCH (S/P)
935	WD1X1434	TERMINAL SPECIAL (S/P)
943	WZ5X219	SCREW (S/P)
946	WD1X10020	SCREW (S/P)
970A	WD9X352	KNOB LATCH HANDLE (S/P)
971	WZ2X45	SCREW (S/P)
973	WD12X10017	SPACER BLAS (S/P)

Distribuidor Autorizado

SurteRápido.com

Venta de Refacciones
Electrodomesticas

GLV1514Z00B



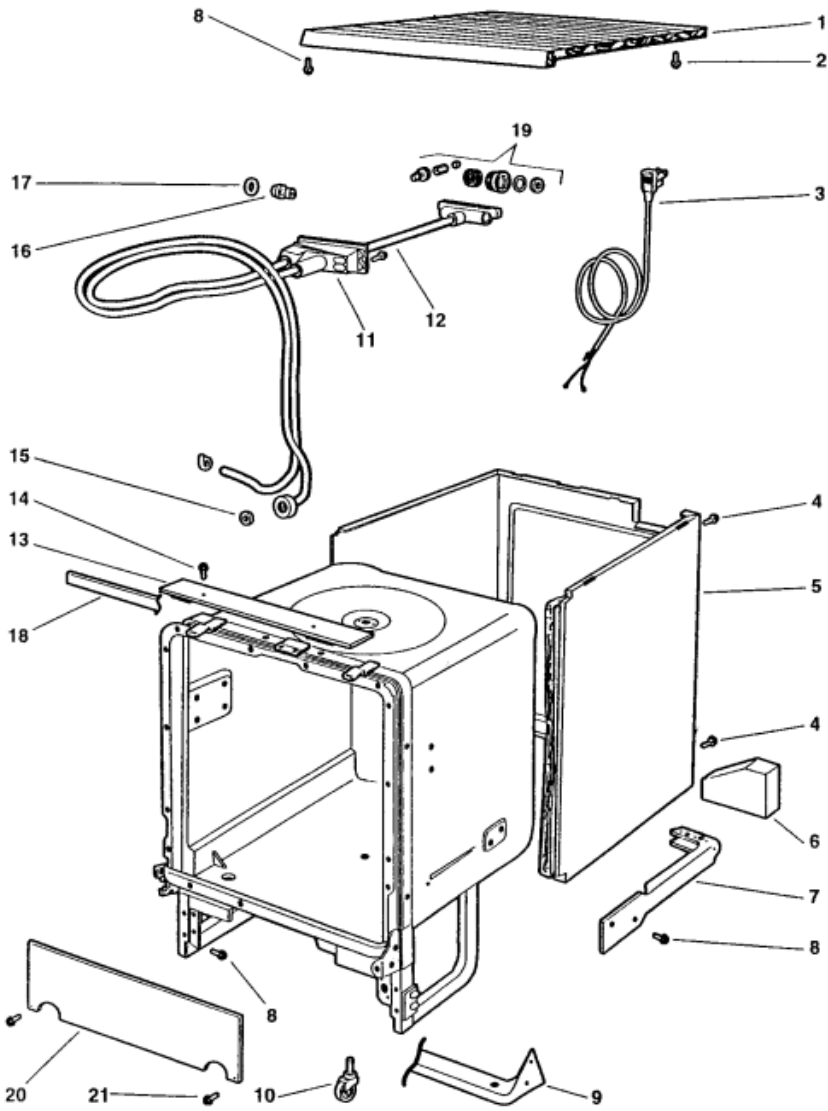


GLV1514Z00B

26A	WD8X228	BAFLFE TUB CORNER L.H (S/P)
26B	WD8X227	BAFLFE TUB CORNER R.H (S/P)
30	WD2X10023	SPRING DOOR (S/P)
42	WZ4X376	SCREW (S/P)
50	WD13X67	KEEPER LATCH (S/P)
51	WZ2X492	SCREW (S/P)
70	WD2X320	SCREW (S/P)
101	WD5M6	ELEMENT HEATING ASM. (S/P)
104	WD1X1491	NUT LOWER HEATER (S/P)
113	WD1X1430	SUPPORT ASM (S/P)
114	WD1X1472	SUPPORT HEATER (S/P)
302	WD12X445	DOME FLOAL (S/P)
305	WD12X334	FLOAT FLOOD (S/P)
306	WD12X335	STEM FLOAT (S/P)
307	WD12X10023	BRACKET FLOOD SWITCH (S/P)
308	WD12X377	COVER BRACKET (S/P)
401	WD3X767	WASHER (S/P)
490	WD21X479	SWITCH FLOOD (S/P)
494	WD1X1459	INSULATOR HOUSING TERMINAL (S/P)
506	WD12X417	COVER INTEL (S/P)
508	WD12X418	CAP SUMP (S/P)
615	WD28X10006	UPPER RACK ROLLER (S/P)
650	WD12M77	SILDE RACK (S/P)
652	WD12X344	END CAP RACK SLIDE (S/P)
654	WD12X332	ROLLER STUD ASM. (S/P)
700	WD12X383	UPPER RACK (S/P)
701	WD28X10001	RACK LOWER ROLLER ASM. (S/P)
702	WD12X271	ROLLER ASM. LOWER RACK FRONT (S/P)
705	WD12X441	ROLLER ASM. LOWER RACK REAR (S/P)
741	WD12X447	BRACKET JUCTION BOX (S/P)
743	WD12X448	COVER JUNCTION BOX (S/P)
744A	WD15X93	VALVE WATER INTEL (S/P)
746	WD2X248	SCREW (S/P)

761	WD28M51	BASKET SILVERWARE (S/P)
776	WZ5X222	SCREW (S/P)
777	WD2M189	INSULATOR TUB (S/P)
782	WD18X202	HOSE WATER INTEL (S/P)
790	WH1X2036	CLAMP HOSE (S/P)
833	WD2X295	SCREW (S/P)
888	WD2M162	BRACKET COUNTER (S/P)

GLV1514Z00B

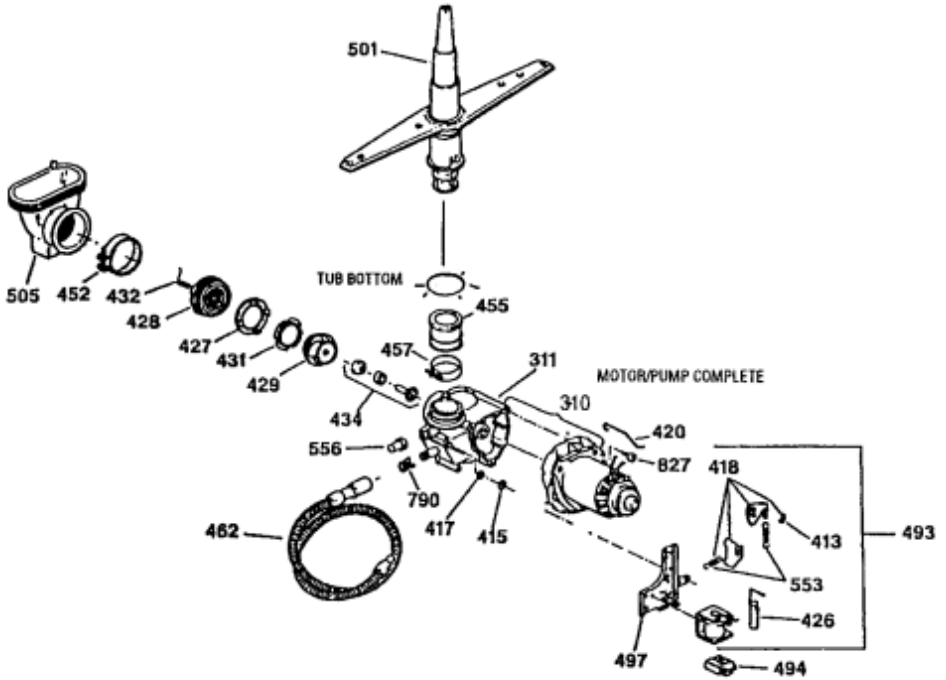




GLV1514Z00B

1	WD31M62	TOP MELAMINE (S/P)
2	WD3M63	SCREW (S/P)
3	WD6M6	CORD SET (S/P)
4	WZ5X219	SCREW (S/P)
6	WD35M28	COUNTER WEIGHI (S/P)
7A	WD35M29	BRACE REAR (S/P)
7B	WD3M72	BRACKET REAR COUNTER WEIGHI (S/P)
8	WE2X263	SCREW (S/P)
9	WD35M33	BRACE FRONT (S/P)
10	WD2M201	CASTER (S/P)
11	WD35M23	POCKET UNICOUPLE (S/P)
12	WD24M30	UNICOUPLE & HOSE ASM. (S/P)
13	WD35M32	CROSS PIECE (S/P)
14	WE2M154	SCREW (S/P)
15	WH2X42	WASHER (S/P)
16	WD1X1447	ADAPTOR FAUCET (S/P)
17	WD3X588	WASHER (S/P)
19	WD35M27	UNICOUPLE REPAIR KIT (S/P)
20	WD27M255	PLATE KICK (S/P)
21	WD2M202	SCREW (S/P)

GLV1514Z00B





GLV1514Z00B

310	WD26X10013	MECHANISM ASM.
311	WD19X10013	HOUSING PUMP ASM.
413	WD3X487	PS RETAINER (S/P)
415	WD2X429	NUT PUSH ON (S/P)
417	WD8X181	SEAL GATE SHAFL (S/P)
418	WD35X192	ARM KIT GATE VALVE (S/P)
420	WD1X1455	HAGER MECHANISM (S/P)
426	WD1X1316	ARMATURE LINK ASM (S/P)
427	WD12X354	BASE WEAR RING (S/P)
428	WD12X378	GRADER NUT (S/P)
429	WD19X60	IMPELLER ASM (S/P)
431	WD1X1341	RING WEAR (S/P)
432	WD1X1487	SPRING CUTLER (S/P)
434	WD19X10001	PUMP SEAT ASM (S/P)
452	WD1X13692	CLAMP SUMP (S/P)
455	WD18X214	CONNECTOR PUMP ASM (S/P)
457	WD1X1376	CLAMP (PUMP CONNECTOR) (S/P)
462	WD24X10003	DRIAN TUBE ASM (S/P)
493	WD21X802	SOLENOID
494	WD1X1459	INSULATOR HOUSING TERMINAL (S/P)
497	WD1X1439	BRACKET SOLENOID (S/P)
501	WD22X10008	SPRAY ARM ASM. (S/P)
505	WD18X213	INLET SUMP (S/P)
553	WD3X192	SPRING SET (S/P)
790	WH1X2036	CLAMP HOSE (S/P)
827	WD2X425	SCREW (S/P)