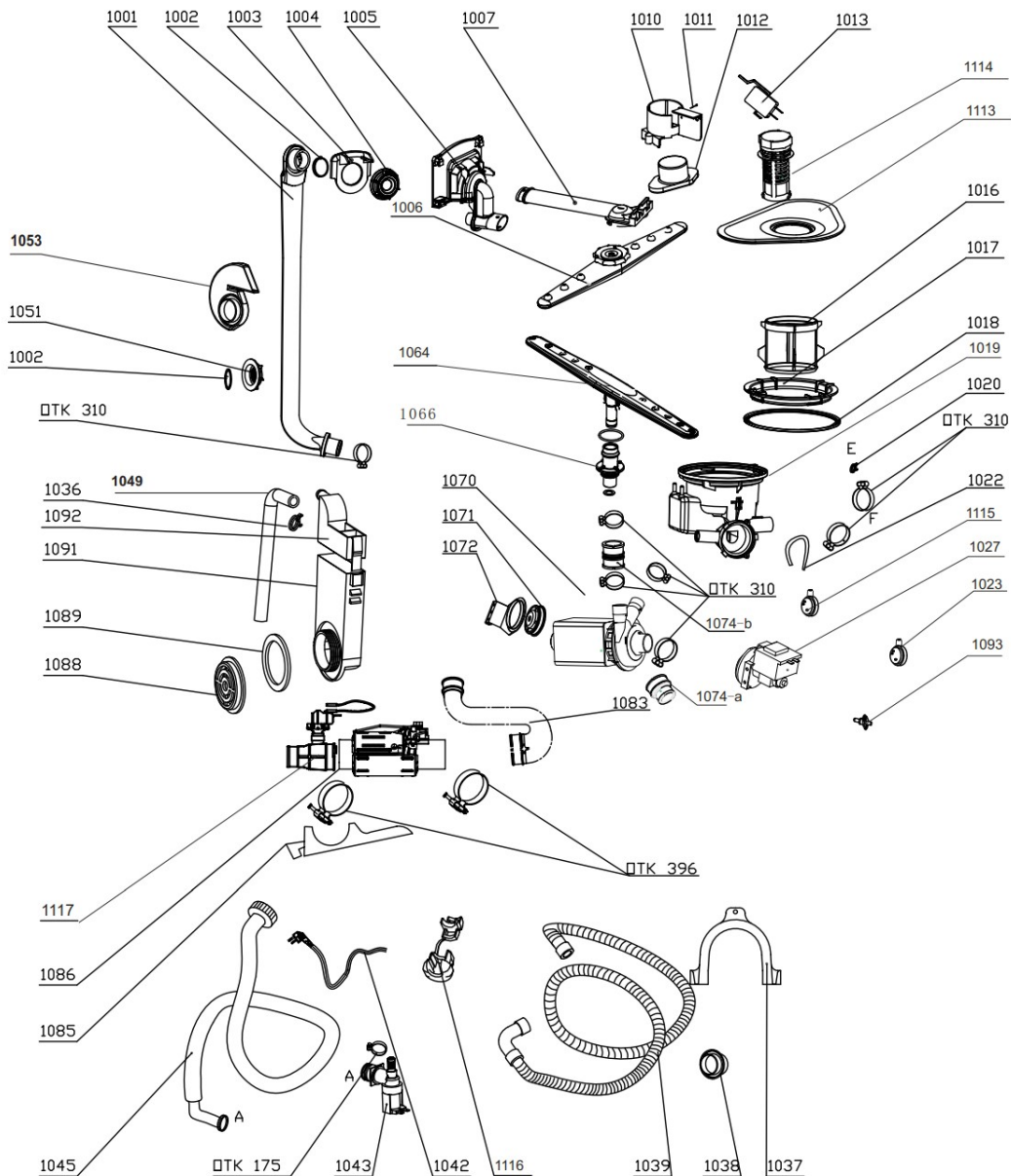


Distribuidor Autorizado

SurteRápido.com

Venta de Refacciones
Electrodomesticas

Lavavajillas GE GLV1640XSS0

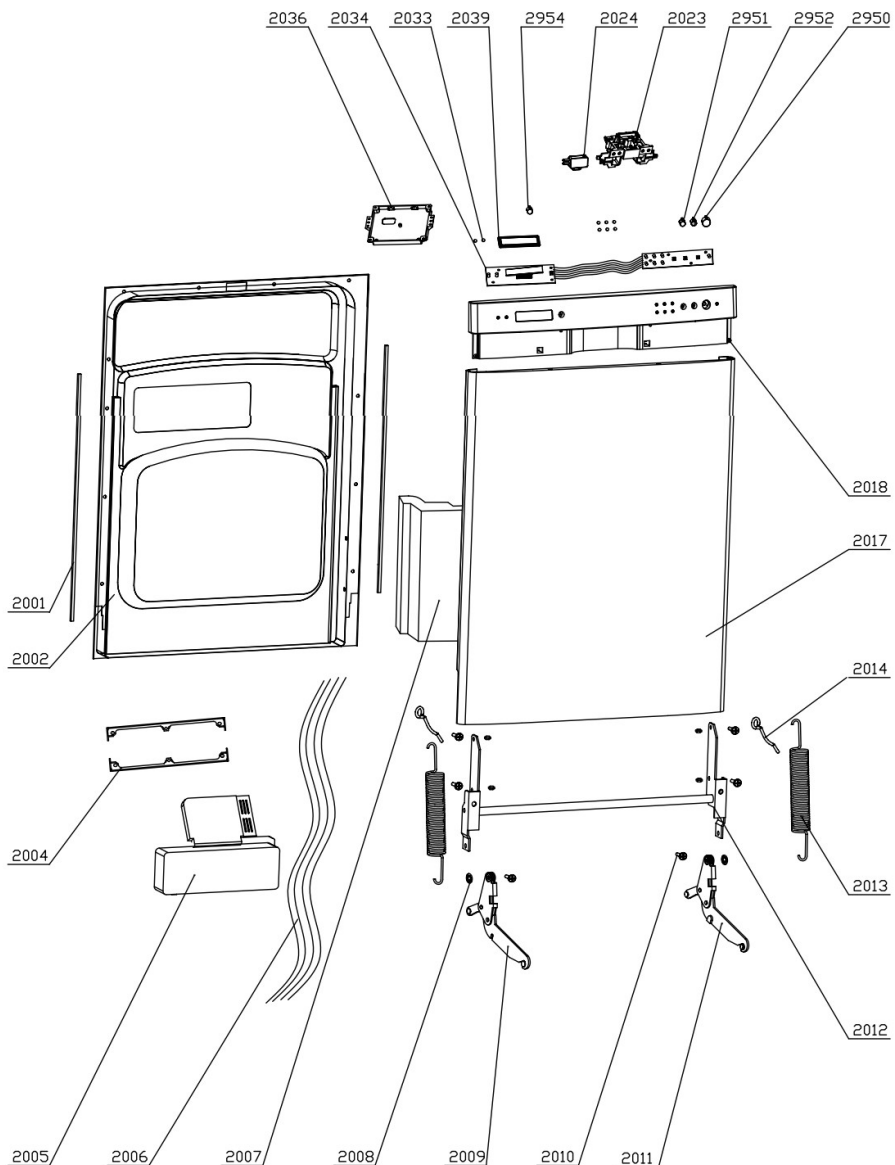


Distribuidor Autorizado

SurteRápido.com

Venta de Refacciones
Electrodomesticas

Lavavajillas GE GLV1640XSS0

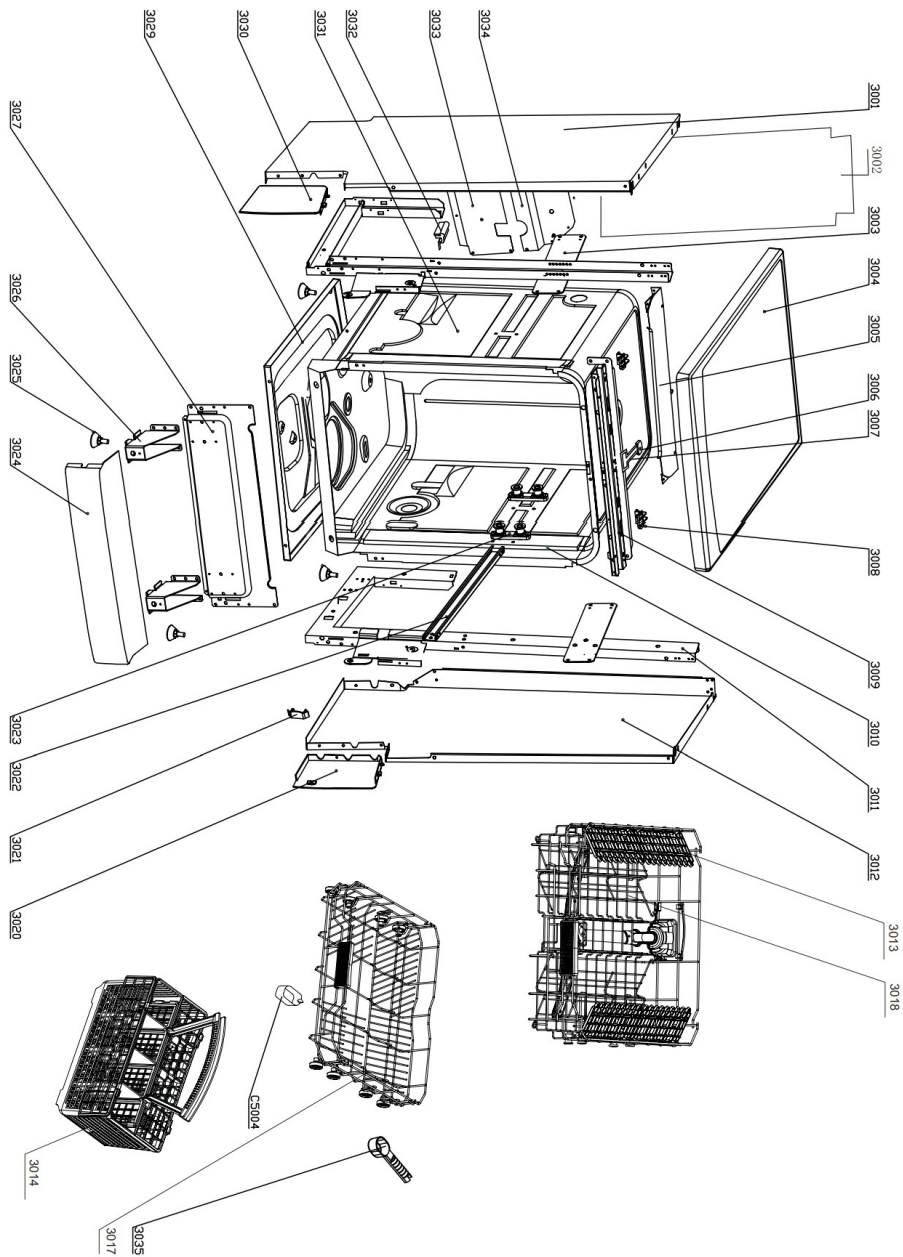


Distribuidor Autorizado

SurteRápido.com

Venta de Refacciones
Electrodomesticas

Lavavajillas GE GLV1640XSS0



Distribuidor Autorizado

SurteRápido.com

Venta de Refacciones
Electrodomesticas

Lavavajillas GE GLV1640XSS0

Guía	Componente	Descripción
1001	673000900249	EXTERNAL HOSE
1002	673001500005	O RING I 31.5X3.55
1003	673001800364	GUIDE CASING
1004	673001600021	EXTERNAL PIPE NUT
1005	673001900016	WATER DISPENSER
1006	673000300067	UPPER SPRAYER
1007	673000900195	UPPER SPRAYER PIPE
1012	673002300003	FLOAT
1016	673002500047	MICRO FILTER
1017	673001600022	SUMP NUT
1018	673001500016	SUMP GASKET
1019	673000700088	SUMP
1020	672000700028	CLAMP 12.7Å%u20141.8
1022	673000900073	PVC HOSE
1023	674000300075	PRESSURE SWITCH
1027	674000600082	DRAIN PUMP
1036	672000700029	CLAMP 14.5Å%u20141.8
1037	673006200027	DRAIN HOSE HOOK
1038	673001500002	DRAIN HOSE HOLDER
1039	673000900186	DRAIN HOSE
1042	674000000225	POWER CORD
1043	674000200006	INLET VALVE
1045	673000900060	INLET HOSE ASSEMBLY
1049	673000900020	INLET HOSE OF WATER INLET
1051	673001600025	AIR BREATHER NUT
1053	673002600001	AIR INLET
1064	670400051614	LOWER SPRAYER
1065	673001200027	LOWER SPRAYER CONNECTION ASSEY

Distribuidor Autorizado

SurteRápido.com

Venta de Refacciones
Electrodomesticas



Lavavajillas GE GLV1640XSS0

Guía	Componente	Descripción
1070	674000600053	WASHING PUMP
1083	673000900045	BEND CONNECT HOSE
1085	673001400025	HEATING ELEMENT SUPPORT
1086	674001100030	HEATING ELEMENTS
1088	673001600024	WATER INLET NUT
1091	673002600035	WATER INLET
1092	673006500011	WATER INLET COVER
1093	674000900038	SENSING DEVICE
1113	673002500044	SLANE FILTER
1114	673001300137	SCRAN COLLECTION
1115	674000300076	PRESSURE SWITCH 140/120
1116	673001400108	POWER CORD CLASPER
1117	674000300093	PRESSURE SWITCH ASSEMBLY
2001	673002000022	DOOR EDGE GUARD PIECE
2002	672002200138	INNER DOOR
2004	672001700002	DISPENSER BRACKET
2005	674000800047	DISPENSER
2006	674000100411	WIRING HARNESS
2007	675000201002	INNER DOOR FOAM
2008	672000500006	RING O6
2009	672001300029	LEFT HINGELEFT HINGE
2010	672001200012	DOWEL
2011	672001300030	RIGHT HINGE
2012	672001300024	DOOR GEMEL ASSEMBLY
2013	672000100000	DOOR SPRING
2014	672001100001	DOOR SPRING BOLT
2017	672001800067	OUTER DOOR
2018	673000495309	CONTROL PANEL

Distribuidor Autorizado



Venta de Refacciones
Electrodomesticas

Lavavajillas GE GLV1640XSS0

Guía	Componente	Descripción
2023	673001800513	ON-OFF OF DOOR
2024	674010030000	MICRO SWITCH
2033	673000900003	INDICATOR COVER
2034	674001000424	CONTROL BOARD
2036	673002400190	COVER CONTROL BOARD BOX
2039	673002800000	WINDOW
2950	673000800240	POWER BUTTON
2951	673000800242	PROGRAM KEY
2952	673000800243	START/PAUSE KEY
2954	673000800241	DELAY KEY
3001	672001600155	LEFT SIDE PANEL
3002	673000100008	BACK COVER BOARD
3003	672002100058	LEFT UPRIGHTS
3004	673000200338	CEILING BOARD
3005	672001500008	UPPER REAR CROSSPIECE
3006	673001300061	DOOR CLAMP
3007	672001400039	DOOR LOCK
3008	673001300003	TOP CLAMP BLOCK
3009	672001500150	UPPER FRONT CROSSPIECE
3010	673001700079	TANK GASKET
3011	672002100057	RIGHT UPRIGHTS
3012	672001600156	RIGHT PANEL
3013	673001300102	UPPER BASKET CUP HOLDER
3014	673002200099	CUTLERY BASKET ASSEMBLY
3017	672000800344	LOWER BASKET
3017	672000803080	LOWER BASKET
3018	672000800343	UPPER BASKET
3020	673001100024	RIGHT WASHBOARD

Distribuidor Autorizado



Venta de Refacciones
Electrodomesticas

Lavavajillas GE GLV1640XSS0

Guía	Componente	Descripción
3021	673001300066	RAIL BLOCK
3022	672001700001	RAIL
3023	673001400049	RAIL SUPPORT ASSEMBLY
3024	673001100019	BASEBOARD
3025	673001100151	ADJUSTABLE FOOT
9999	WW01A00000	KIT BÁSICO DE CONEXIÓN LAV.