



Denek

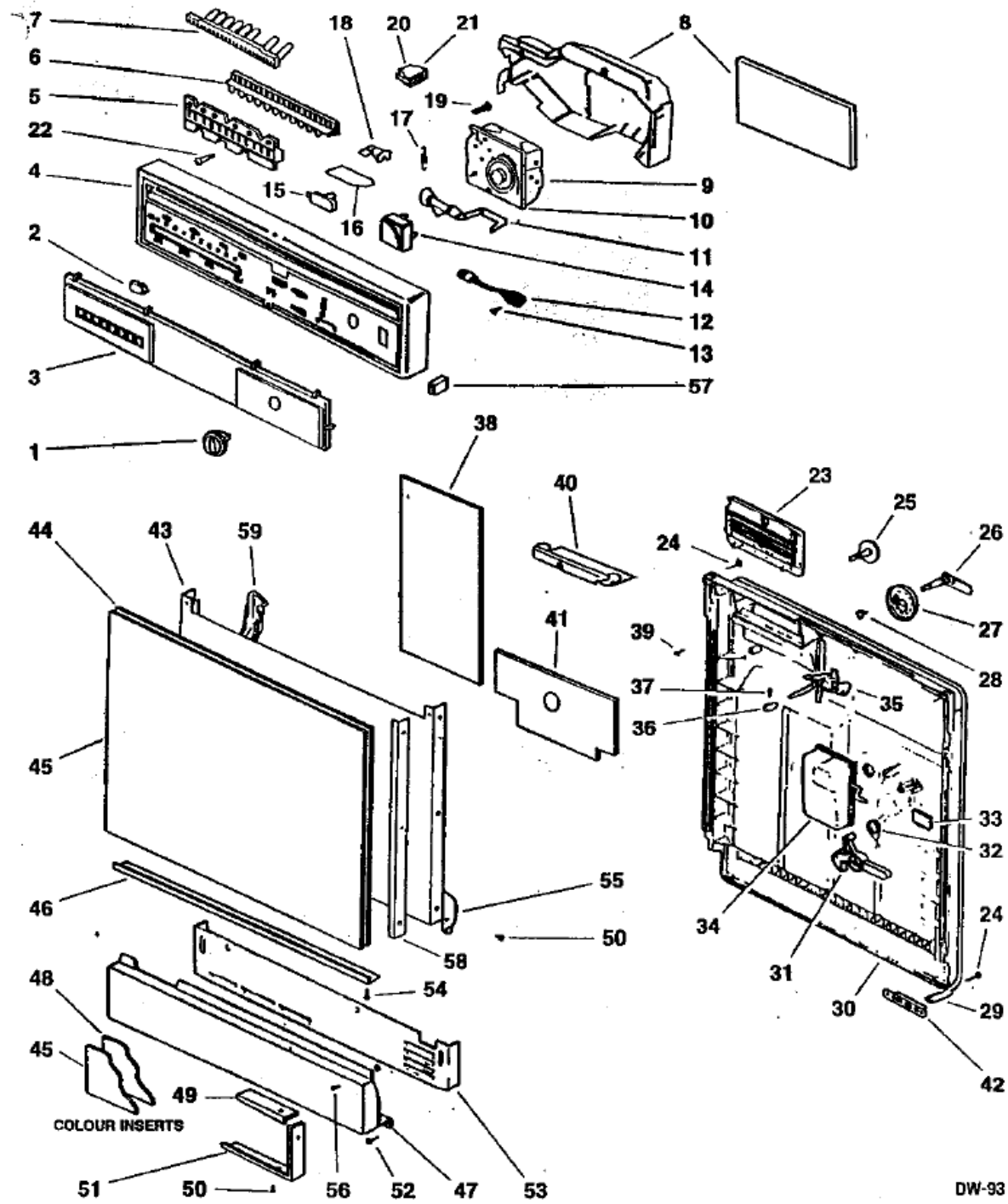
Benito Juárez 1500 Fracc. Zitoón, Guadalupe N.L.
Tels: 83-37-79-99 y 49 Sin costo: 01-800-872-79-99
Fax: 01-800-872-16-11 Sin costo: 01-800-87-16-10
www.denek.com e-mail: ventas@denek.com

G.E.

LAVAVAJILLAS

MODEL. GLV619X01WW

PUERTA





Denek

Benito Juárez 1500 Fracc. Zitoón, Guadalupe N.L.
 Tels: 83-37-79-99 y 49 Sin costo: 01-800-872-79-99
 Fax: 01-800-872-16-11 Sin costo: 01-800-87-16-10
www.denek.com e-mail: ventas@denek.com

G.E. LAVAVAJILLAS MODEL. GLV619X01WW
 PUERTA

| ITEM | PART NUMBER | DESCRIPTION |
|------|-------------|------------------------------|
| 1 | WD9X353 | Knob, timer (white) |
| 2 | WD9X350 | Push button |
| 3 | WD34X1388 | Film, appearance |
| 4 | WD34X1228 | Escutcheon (white)(see note) |
| 5 | WD2M190 | Bracket / Support |
| 6 | WD21X727 | Switch, P.B. |
| 7 | WD6M7 | Lamp asm. |
| 8 | WD2M197 | Shield, timer |
| 9A | WD21X796 | Timer |
| 9B | WD2M196 | Housing, timer |
| 10 | WD16X316 | Cam, timer |
| 11 | WD12X324 | Lever, timer |
| 12 | | Not used |
| 13 | | Not used |
| 14 | | Not used |
| 15 | WD21X557 | Switch, interlock |
| 16 | WD12X370 | Shield, switch |
| 17 | WD3X749 | Spring, lever |
| 18 | WD1X1363 | Switch leaf asm. |
| 19 | WZ5X219 | Screw |
| 20 | WD2M178 | Plug, timer - R.H. |
| 21 | WH1M937 | Terminal |
| 22 | WD3M70 | Screw |
| 23 | WD12X328 | Vent asm. |
| 24 | WD2X322 | Screw |
| 25 | WD12X409 | Fill cap asm. |
| 26 | WD16X313 | Shaft, detergent cup |
| 27 | WD16X297 | Cover, detergent cup |
| 28 | WD2X425 | Screw |
| 29 | WD8X229 | Gasket, door |
| 30 | WD31M63 | Door, inner |
| 31 | WD16X292 | Latch, detergent cup |
| 32 | WD3X769 | Spring |
| 33 | WD1X1348 | Deflector |
| 34 | WD12X276 | Injector, rinse |
| 35 | WD13X69 | Latch |
| 36 | WD9X352 | Knob, latch (white) |
| 37 | WZ2X45 | Screw |
| 38 | | Not used |
| 39 | WZ5X219 | Screw |
| 40 | WD1X1467 | Pad, vent |
| 41 | | Not used |
| 42 | WD8X231 | Gasket, insert |
| 43 | WD27M269 | Door, outer |
| 44 | | Not used |
| 45 | WD27M259 | Panel kit (W/A) |
| 46 | WD34X967 | Trim, bottom |
| 47 | WD27M266 | Panel, access |
| 48 | | Not used |



Denek

Benito Juárez 1500 Fracc. Zitoón, Guadalupe N.L.
Tels: 83-37-79-99 y 49 Sin costo: 01-800-872-79-99
Fax: 01-800-872-16-11 Sin costo: 01-800-87-16-10
www.denek.com e-mail: ventas@denek.com

G.E.

LAVAVAJILLAS

MODEL. GLV619X01WW

PUERTA

| | | |
|------|----------|---------------------------|
| 49 | WD34X972 | Trim, top (white) |
| 50 | WD3M69 | Screw / Vis |
| 51 | WD34X977 | Trim, bottom & side |
| 52 | WZ6X120 | Screw |
| 53 | WD27M274 | Toe kick |
| 54 | WZ4X44 | Screw |
| 55A | WD14M7 | Arm, hinge - L.H. |
| 55B | WD14M8 | Arm, hinge - R.H. |
| 55C | WD3M62 | Screw |
| 55D | WD12X231 | Bearing, hinge arm |
| 56 | WD2X323 | Screw |
| 57 | WD21X733 | Switch, rocker |
| 58 | WD34X962 | Trim, side |
| 59 | | Not used |
| 100A | WD1M243 | Book, use & care |
| 100B | WD1M246 | Instruction, installation |
| | | |



Denek

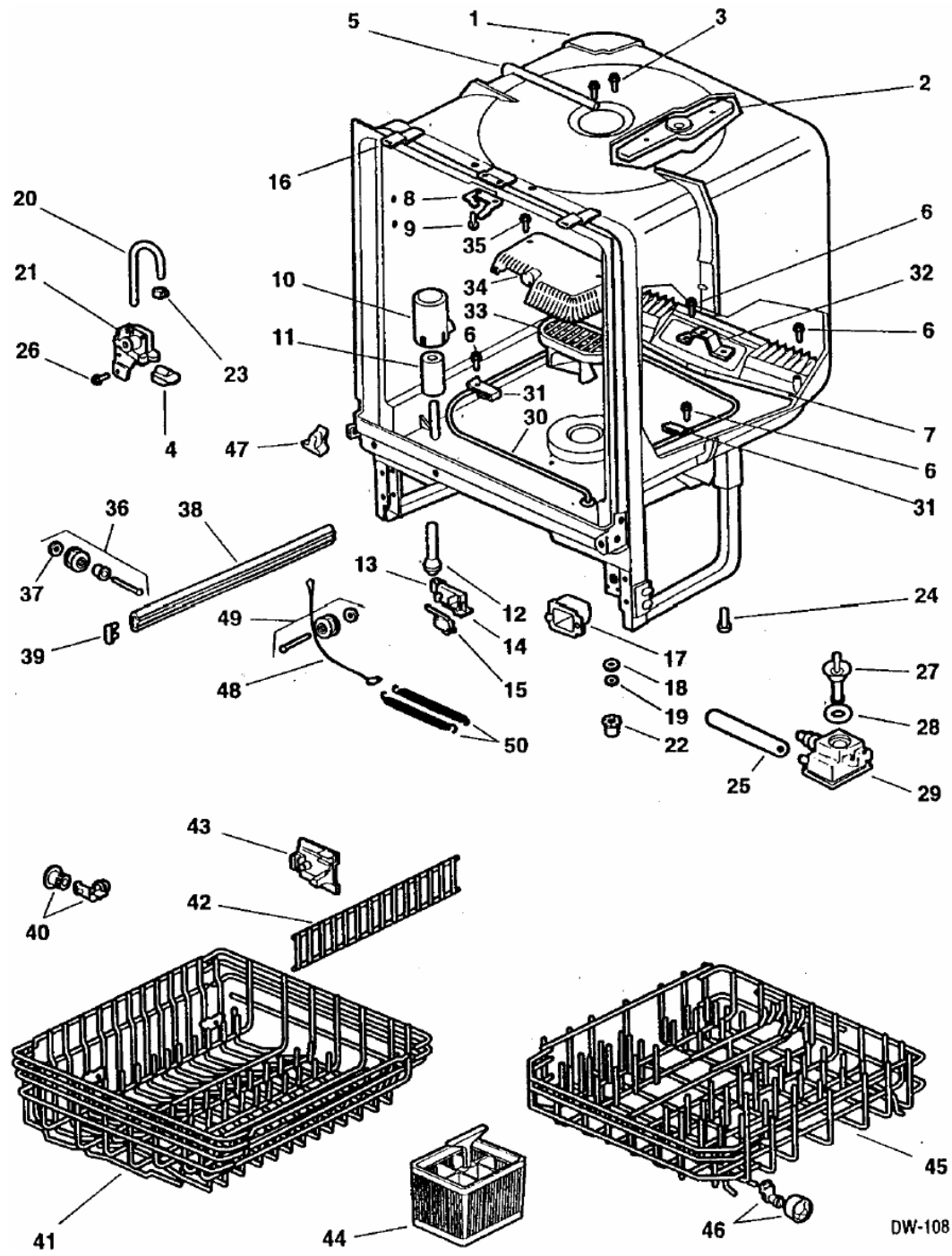
Benito Juárez 1500 Fracc. Zitoón, Guadalupe N.L.
Tels: 83-37-79-99 y 49 Sin costo: 01-800-872-79-99
Fax: 01-800-872-16-11 Sin costo: 01-800-87-16-10
www.denek.com e-mail: ventas@denek.com

G.E.

LAVAVAJILLAS

MODEL. GLV619X01WW

GABINETE





Denek

Benito Juárez 1500 Fracc. Zitoón, Guadalupe N.L.
 Tels: 83-37-79-99 y 49 Sin costo: 01-800-872-79-99
 Fax: 01-800-872-16-11 Sin costo: 01-800-87-16-10
www.denek.com e-mail: ventas@denek.com

G.E. LAVAVAJILLAS MODEL. GLV619X01WW
 GABINETE

| ITEM | PART NUMBER | DESCRIPTION |
|------|-------------|------------------------|
| 1 | WD2M189 | Insulation, top & side |
| 2 | WD22X161 | Power rhower |
| 3 | WD2M131 | Screw |
| 4 | | Not used |
| 5 | WD24X214 | Hose, tub |
| 6 | WZ4X376 | Screw |
| 7 | | Not used |
| 8 | WD13X67 | Keeper, latch |
| 9 | WZ2X492 | Screw (10 - 24 x 1/2) |
| 10 | WD12X333 | Dome, float |
| 11 | WD12X334 | Float, float |
| 12 | WD12X335 | Stem, float |
| 13 | WD12X376 | Bracket, switch |
| 14 | WD12X377 | Cover, switch |
| 15 | WD21X479 | Switch |
| 16 | WD2M162 | Bracket |
| 17A | WD12X447 | Box, junction |
| 17B | WD12X448 | Cover, junction box |
| 18 | | Not used |
| 19 | | Not used |
| 20 | WD18X202 | Hose, inlet |
| 21 | WD15X93 | Valve, water |
| 22 | WD1X1491 | Nut, heater |
| 23 | WH1X2036 | Clamp, hose |
| 24 | WD2X320 | Screw, levelling |
| 25 | | Not used |
| 26 | | Not used |
| 27 | | Not used |
| 28 | | Not used |
| 29 | | Not used |
| 30 | WD5M6 | Heater |
| 31 | WD1X1430 | Support, heater |
| 32 | WD1X1332 | Support, heater |
| 33 | WD12X418 | Cap, sump |
| 34 | WD12X337 | Cover, sump |
| 35 | WD2X295 | Screw |
| 36 | WD12X332 | Roller & stud |
| 37 | WD3X767 | Washer |
| 38 | WD12M77 | Slide, rack |
| 39 | WD12X344 | End cap |
| 40 | WD12X383 | Roller & stud |
| 41 | WD28M60 | Rack, upper |
| 42 | | Not used |
| 43 | | Not used |
| 44 | WD28X275 | Basket, silverware |
| 45 | WD28X305 | Lower rack & roller |
| 46A | WD12X271 | Roller & stud - front |
| 46B | WD12X272 | Roller & stud - rear |
| 47A | WD8X227 | Corner, tub - R.H. |



Denek

Benito Juárez 1500 Fracc. Zitoón, Guadalupe N.L.
Tels: 83-37-79-99 y 49 Sin costo: 01-800-872-79-99
Fax: 01-800-872-16-11 Sin costo: 01-800-87-16-10
www.denek.com e-mail: ventas@denek.com

G.E. LAVAVAJILLAS MODEL. GLV619X01WW
GABINETE

| | | |
|-----|-----------------|-----------------------|
| 47B | WD8X228 | Corner, tub - L.H. |
| 48 | | Not used |
| 49 | | Not used |
| 50 | WD1X10001 | Spring, side (yellow) |
| | Not Illustrated | |
| A | WE12X339 | Deflector, guard |



Denek

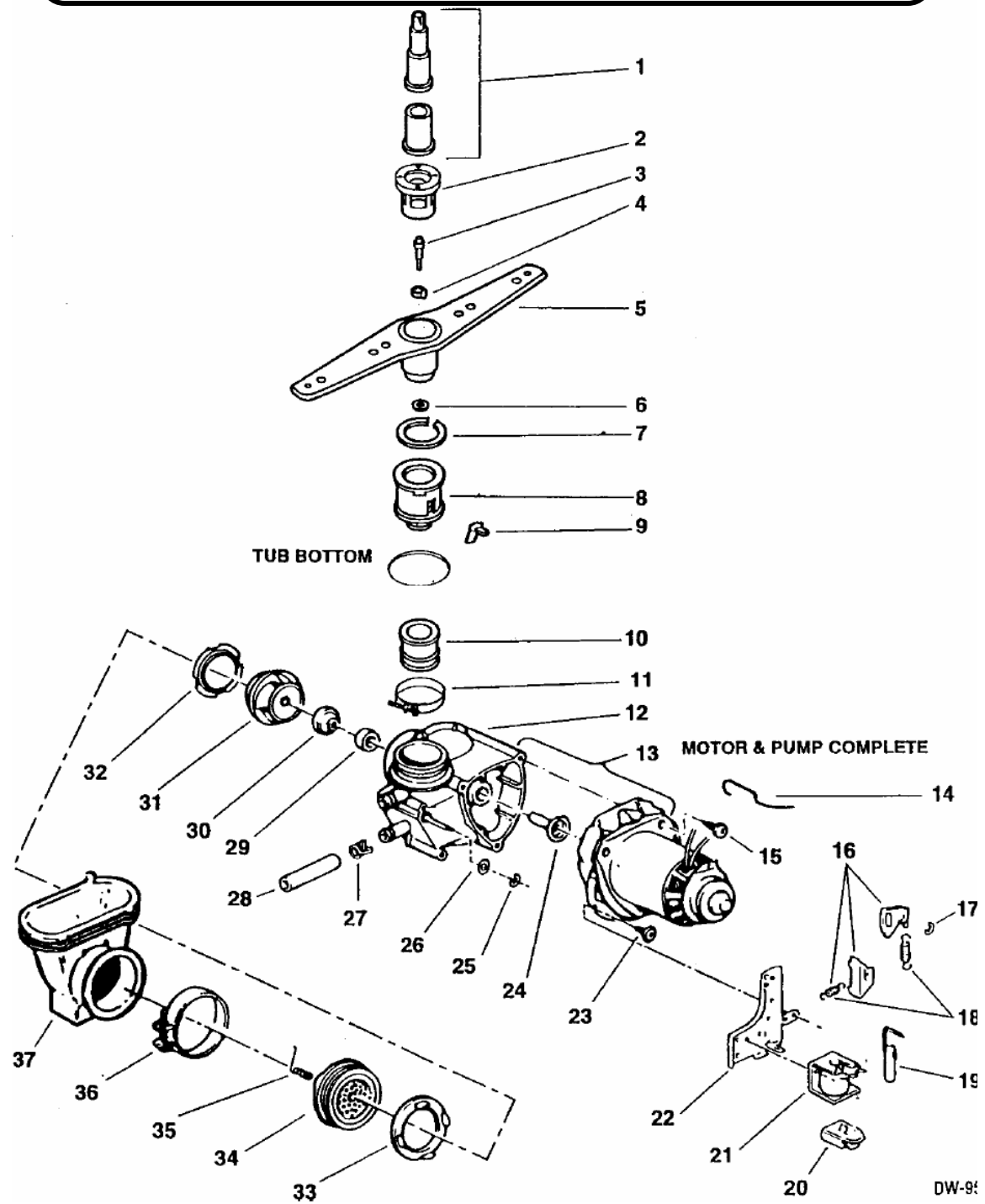
Benito Juárez 1500 Fracc. Zitoón, Guadalupe N.L.
Tels: 83-37-79-99 y 49 Sin costo: 01-800-872-79-99
Fax: 01-800-872-16-11 Sin costo: 01-800-87-16-10
www.denek.com e-mail: ventas@denek.com

G.E.

LAVAVAJILLAS

MODEL. GLV619X01WW

BOMBA Y MOTOR





Denek

Benito Juárez 1500 Fracc. Zitoón, Guadalupe N.L.
Tels: 83-37-79-99 y 49 Sin costo: 01-800-872-79-99
Fax: 01-800-872-16-11 Sin costo: 01-800-87-16-10
www.denek.com e-mail: ventas@denek.com

G.E.

LAVAVAJILLAS

MODEL. GLV619X01WW

BOMBA Y MOTOR

| ITEM | PART NUMBER | DESCRIPTION |
|------|-------------|----------------------|
| 1 | WD22X139 | Tower asm. |
| 2 | WD22X140 | Nut, tower |
| 3 | WD2X439 | Screw |
| 4 | WD3X766 | Washer, thrust |
| 5 | WD22X141 | Spray arm asm. |
| 6 | WD2X438 | E ring |
| 7 | WD22X143 | Ring, seal |
| 8 | WD22X142 | Support asm. |
| 9 | WD2M49 | Valve |
| 10 | WD18X214 | Connector, pump asm. |
| 11 | WD1X1376 | Clamp |
| 12 | WD19X42 | Housing asm. |
| 13 | WD26X77 | Motor & pump |
| 14 | WD1X1455 | Hanger, mechanism |
| 15 | WD2X425 | Screw |
| 16 | WD35X192 | Arm kit, gate valve |
| 17 | WD3X487 | Retaining, ring |
| 18 | WD3X721 | Spring, gate |
| 19 | WD1X1316 | Link & armature |
| 20 | WD1X1459 | Insulator |
| 21 | WD21X710 | Solenoid |
| 22 | WD1X1439 | Bracket, solenoid |
| 23 | WD2X5183 | Screw |
| 24 | WD12X106 | Sleeve, shaft seal |
| 25 | WD2X429 | Push nut |
| 26 | WD8X181 | Seal lip |
| 27 | WD1X2036 | Clamp |
| 28 | WD24X219 | Hose, drain |
| 29 | WD19X51 | Seal seal assembly |
| 30 | WD19X52 | Shaft seal assembly |
| 31 | WD19X53 | Impeller pump |
| 32 | WD1X1341 | Ring, wear |
| 33 | WD12X354 | Base, wear ring |
| 34 | WD12X378 | Grader nut |
| 35 | WD1X1339 | Spring, cutter |
| 36 | WD1X1392 | Clamp |
| 37 | WD18X213 | Inlet, sump |