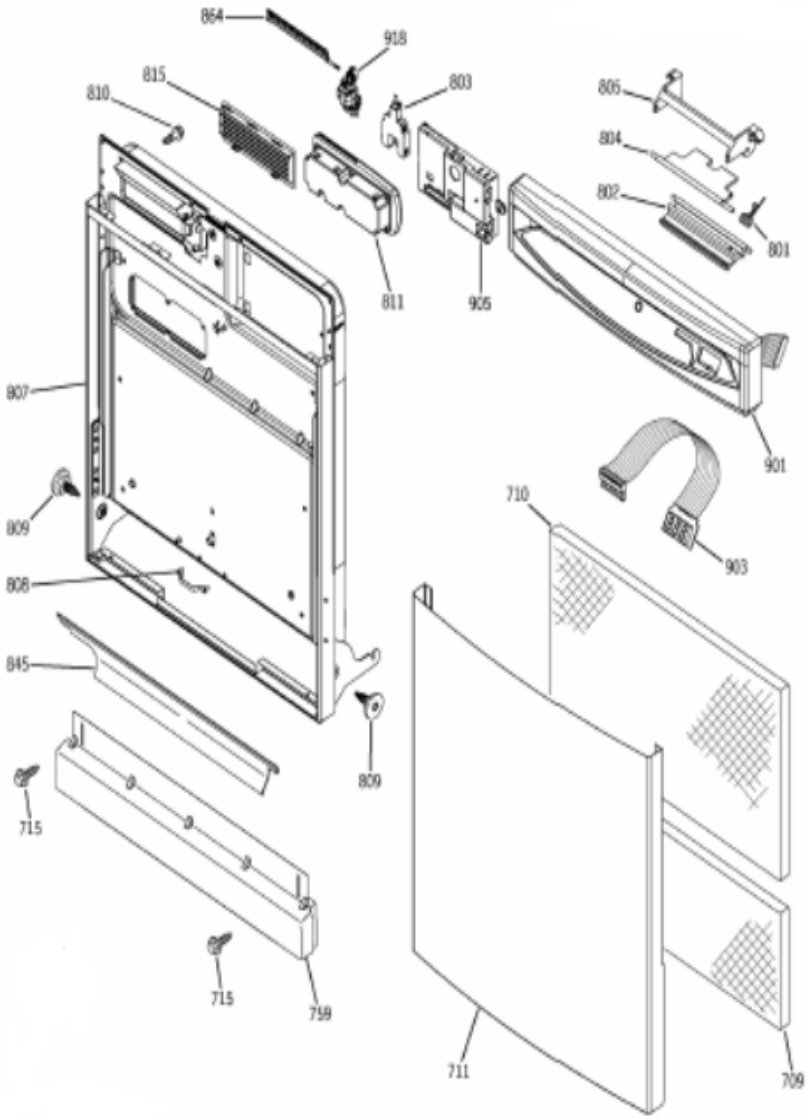


GLV7800GSS

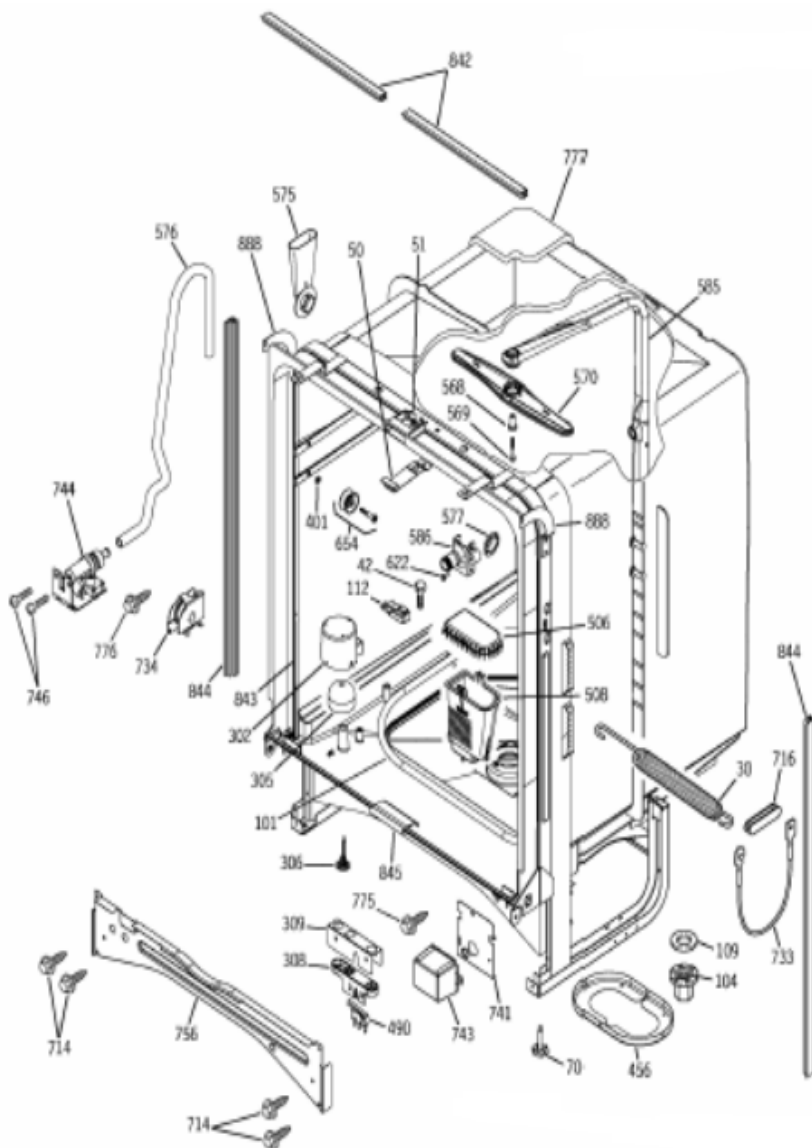


Distribuidor Autorizado

SurteRápido.com

Venta de Refacciones
Electrodomesticas

GLV7800GSS

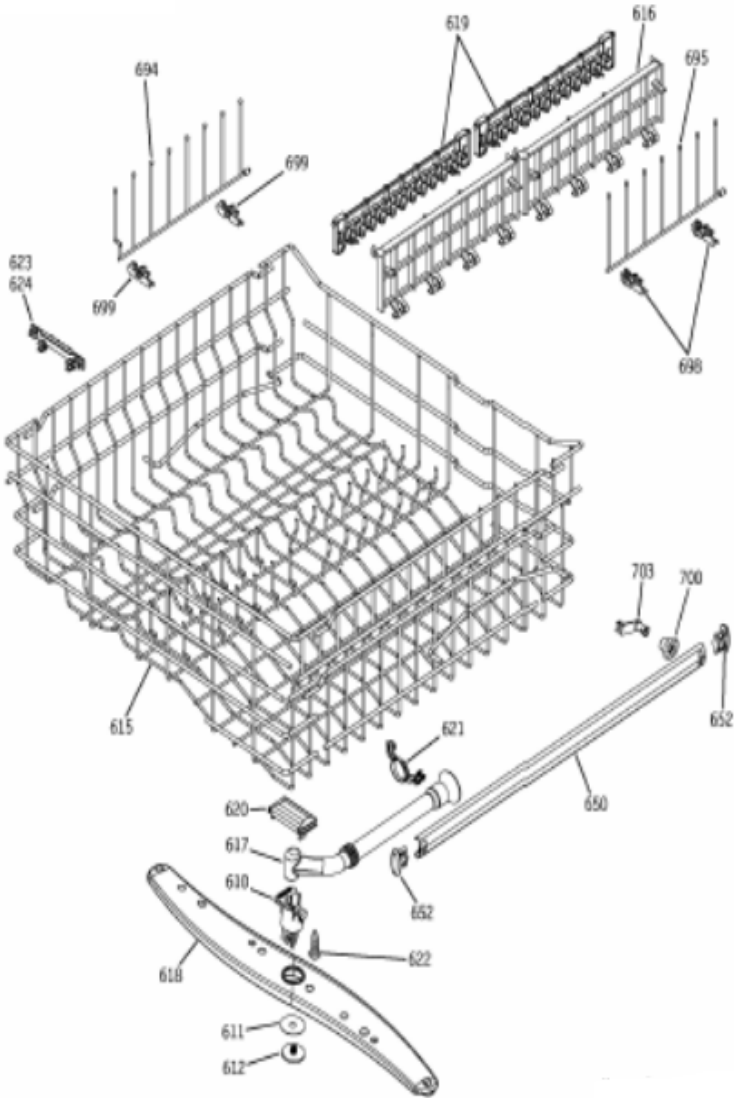


Distribuidor Autorizado

SurteRápido.com

Venta de Refacciones
Electrodomesticas

GLV7800GSS



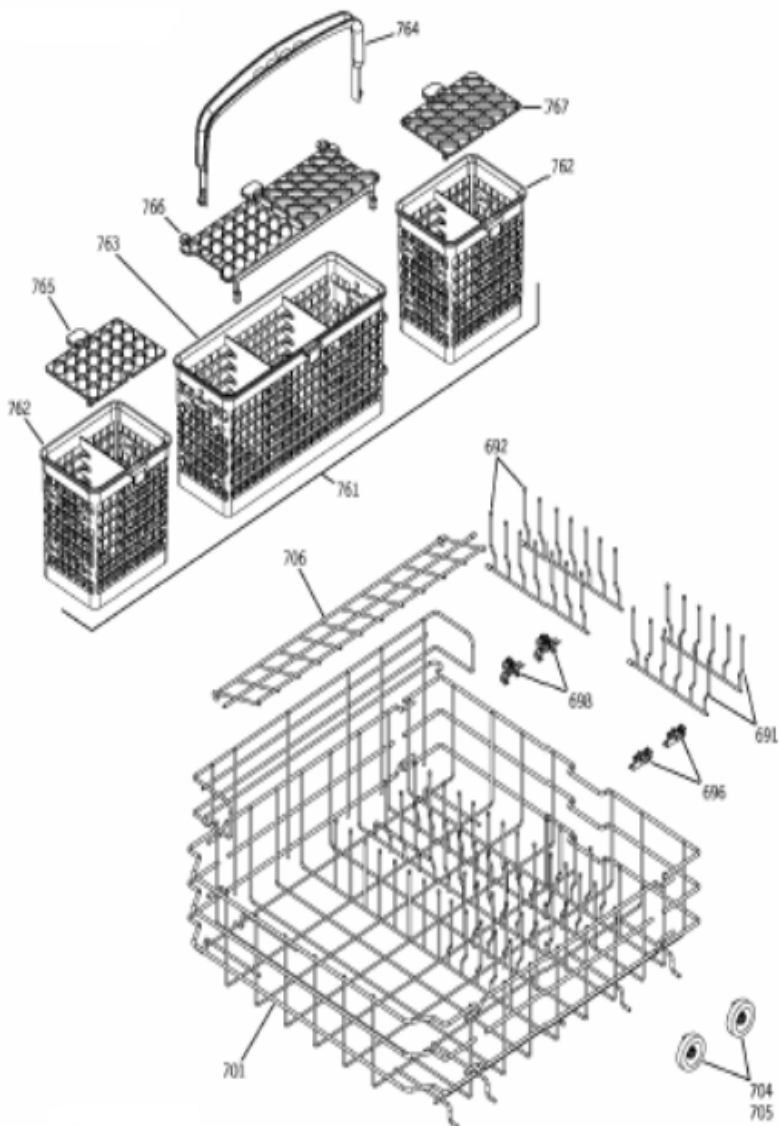
Distribuidor Autorizado

SurteRápido.com

Venta de Refacciones
Electrodomesticas



GLV7800GSS

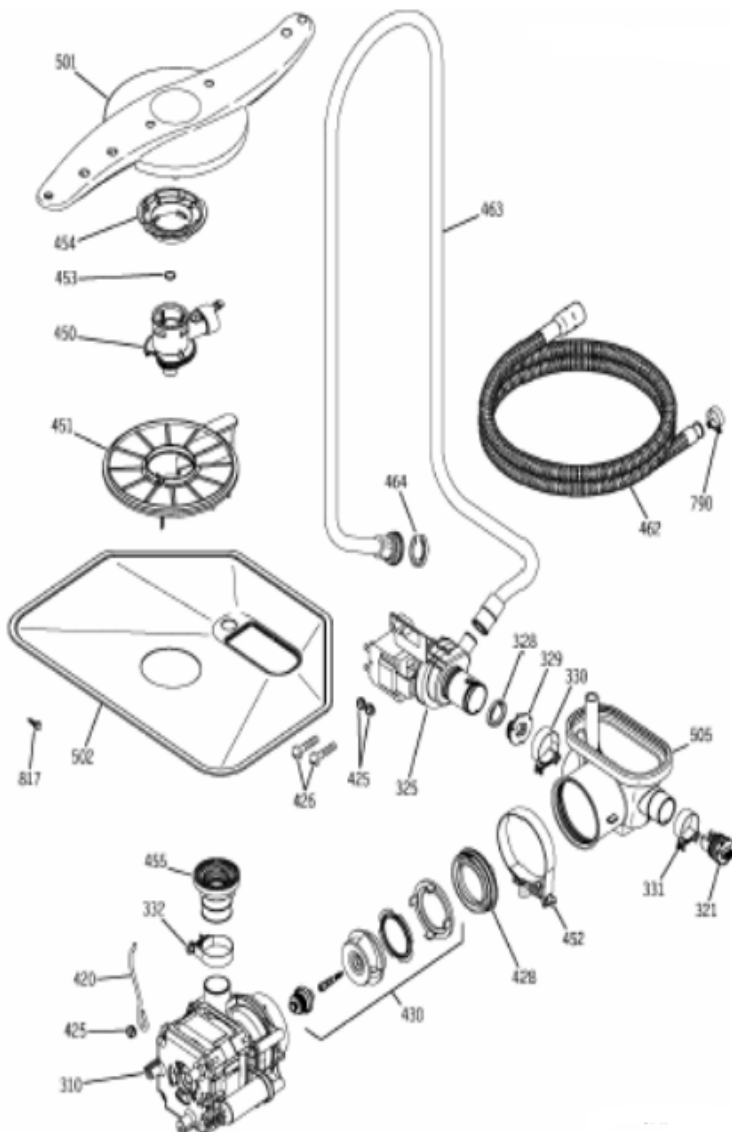


Distribuidor Autorizado

SurteRápido.com

Venta de Refacciones
Electrodomesticas

GLV7800GSS





GLV7800GSS

30	WD03X10014	SPRING (S/P)
42	WZ04X0376	SCR 10-16X3/4 #8 HX SSTL (S/P)
50	WD13X10006	KEEPER LATCH ASM (S/P)
51	WD02X10066	SCR 10-24X1/2 TT TRR S (S/P)
70	WD02X0320	SCREW LEVEL (S/P)
101	WD05X10005	ELEMENT HEATING ASM (S/P)
104	WD01X10097	NUT TOWER HEATER (S/P)
109	WD01X10094	GROMMET HEATER (S/P)
112	WD01X10098	SUPPORT HEATER (S/P)
302	WD12X10051	DOME FLOAT (S/P)
305	WD12X10047	FLOAT (S/P)
306	WD12X10048	STEM FLOAT (S/P)
308	WD12X10043	HOUSING FLOOD SWITCH (S/P)
310	WD26X10015	MECHANISM ASM (S/P)
321	WD21X10118	SENSOR TURBIDITY (S/P)
325	WD26X10016	PUMP DRAIN ASM (S/P)
328	WD01X10178	VALVE FLAPPER (S/P)
329	WD01X10176	SEAT CHECK VALVE (S/P)
330	WD01X10103	CLAMP (S/P)
331	WD01X10104	CLAMP (S/P)
332	WD01X10105	CLAMP (S/P)
401	WD03X0767	WASHER ST STL (S/P)
420	WD01X10093	HANGER MECH ASM (S/P)
425	WD01X10101	GROMMET (S/P)
426	WD02X10094	SCR 10-18 X 5/8 (S/P)
428	WD12X10060	RING SUCTION (S/P)
430	WD19X10032	KIT IMPELLER ASM
450	WD18X10009	HUB VENTURI ASM (S/P)
451	WD12X10050	FILTER FINE ASM (S/P)
452	WD01X1392	CLAMP, SUMP (S/P)
453	WD01X10107	BEARING SPRAY ARM LOW (S/P)

454	WD12X10061	NUT HUB FINE FILTER (S/P)
455	WD18X10010	CONNECTOR PUMP ASM (S/P)
456	WD01X10106	RING SUMP (S/P)
462	WD24X10014	HOSE DRAIN (S/P)
463	WD24X10020	TUBE DRAIN ASM (S/P)
464	WD01X10177	FLAPPER CHECK VALVE (S/P)
490	WD21X10119	SWITCH FLOOD (S/P)
501	WD22X10030	ARM SPRAY LOW ASM (S/P)
502	WD22X10029	FILTER COARSE (S/P)
505	WD18X10008	SUMP INLET (S/P)
506	WD12X10049	COVER INLET (S/P)
508	WD22X10028	FILTER SUMP (S/P)
568	WD01X10102	BEARING SPRAY ARM UP (S/P)
569	WD02X10068	SCR 8-16 B HXW 1.08 SS (S/P)
570	WD22X10027	ARM SPRAY UPPER ASM (S/P)
575	WD12X10056	FUNNEL FILL (S/P)
576	WD24X10019	HOSE FILL (S/P)
577	WD08X10020	GASKET FUNNEL FILL (S/P)
585	WD12X10057	CONDUIT MAIN (S/P)
586	WD12X10059	CONE DOCKING (S/P)
610	WD12X10066	HUB SPRAY ARM MID (S/P)
611	WD01X10108	BEARING SPRAY ARM MID (S/P)
612	WD01X10109	NUT HUB MID (S/P)
615	WD28X10059	RACK UPPER ROLL ASM (S/P)
616	WD28X10012	SHELF MULTI PURPOSE (S/P)
617	WD12X10052	CONDUIT SPRAY ARM MID (S/P)
618	WD22X10031	ARM SPRAY MID ASM (S/P)
619	WD28X10013	GRIPPER STEMWARE (S/P)
620	WD12X10053	BRACKET SPRAY ARM MID (S/P)
621	WD12X10054	CONDUIT CARRIER MID (S/P)
622	WD02X10067	SCR 8-16 HXW 1/2 SS (S/P)
623	WD12X10062	FINGER INDEXER (S/P)
624	WD12X10063	FINGER INDEXER (S/P)
650	WD30X0098	RACK SLIDE (S/P)
652	WD12X0344	RACK SLIDE END CAP (S/P)
654	WD12X0332	ROLLER STUD ASM (S/P)

691	WD28X10065	COMB LOWER RACK ASM (S/P)
692	WD28X10064	COMB LOWER RACK ASM (S/P)
694	WD28X10060	COMB UPPER RACK ASM (S/P)
695	WD28X10061	COMB UPPER RACK ASM (S/P)
696	WD12X10064	RETAINER COMB (S/P)
698	WD28X10062	RETAINER COMB (S/P)
699	WD28X10063	RETAINER COMB (S/P)
700	WD12X10065	ROLLER SLIDE (S/P)
701	WD28X10071	RACK LOW ROLL ASM (S/P)
703	WD12X10073	STUD ROLLER (S/P)
704	WD12X10101	STUD ROLLER (S/P)
705	WD12X10074	ROLLER LOWER RACK
706	WD28X10072	SHELF STADIUM (S/P)
709	WD01X10113	INSULATION PANEL FRONT (S/P)
710	WD01X10114	INSULATION PANEL (S/P)
711	WD31X10029	PANEL FRONT BOWED WH (S/P)
714	WD02X10083	SCR 8-18 B HXW .480 S (S/P)
715	WD02X10086	SCR 8-18 B 1HW 1/2 S N (S/P)
716	WD14X10009	LINK HINGE ARM (S/P)
733	WD01X10099	CABLE PULLEY ASM (S/P)
734	WD16X10009	PULLEY BRACKET ASM (S/P)
741	WD12X10055	BRACKET J BOX ASM (S/P)
743	WD12X448	COVER JUCTION BOX (S/P)
744	WD15X10004	VALVE WATER INLET (S/P)
746	WD02X0248	SCR 10-24X3/8 TT HEX (S/P)
756	WD34X10566	BRACE TOEKICK WH (S/P)
759	WD27X10086	TOEKICK ASM WH (S/P)
761	WD28X10058	BASKET 7 PC ASM (S/P)
762	WD28X10038	BASKET SILVERWARE END (S/P)
763	WD28X10037	BASKET SILVERWARE MIDDLE (S/P)
764	WD28X10039	HANDLE BASKET (S/P)
765	WD28X10066	LID BASKET (S/P)
766	WD28X10067	LID BASKET (S/P)
767	WD28X10068	LID BASKET (S/P)
775	WD02X5166	SCR 10-16X1/2 AB HXW S (S/P)
776	WZ05X0222	SCR 10-32 T HEX 7/16 S (S/P)

777	WD01X10089	INSULATION TUB BLANKET (S/P)
790	WD01X10065	CLAMP HOSE (S/P)
790	WH01X2036	CLAMP HOSE (S/P)
801	WR02X10585	SPRING RECESS DOOR (S/P)
802	WD13X10010	HANDLE LATCH WH (S/P)
803	WD21X10121	SWITCH INTERLOCK ASM (S/P)
804	WD13X10008	ACTUATOR HANDLE (S/P)
805	WD13X10009	RETAINER HANDLE (S/P)
807	WD31X10027	INNER OOR & HINGE ASM (S/P)
808	WD01X10110	CLIP HARNESS (S/P)
809	WD02X10084	SCR 10-32GX FLT25 .615 S (S/P)
810	WD02X0322	SCR 8-18X7/8 BT (S/P)
811	WD12X10046	MODULE RINSE ASM (S/P)
815	WD12X10045	VENT (S/P)
817	WD01X0550	SCR 8-32 PNT 1/2 S (S/P)
842	WD08X10023	TRIM TUB FLANGE WH (S/P)
843	WD08X10018	GASKET TUB (S/P)
844	WD08X10024	TRIM TUB FLANGE WH (S/P)
845	WD08X10019	SEAL SHORT BOT DOOR (S/P)
864	WD12X10067	FLAPPER VENT (S/P)
901	WD34X10572	ESCUTCHEON KEYPAD ASM (S/P)
903	WD21X10122	MODULE 3 DIGIT DISPLAY (S/P)
905	WD21X10117	MODULE CONTROL ASM (S/P)
910	WD34X10855	BRACE ESCUTCHEON (S/P)
918	WD21X10120	VENT DRIVER ASM (S/P)