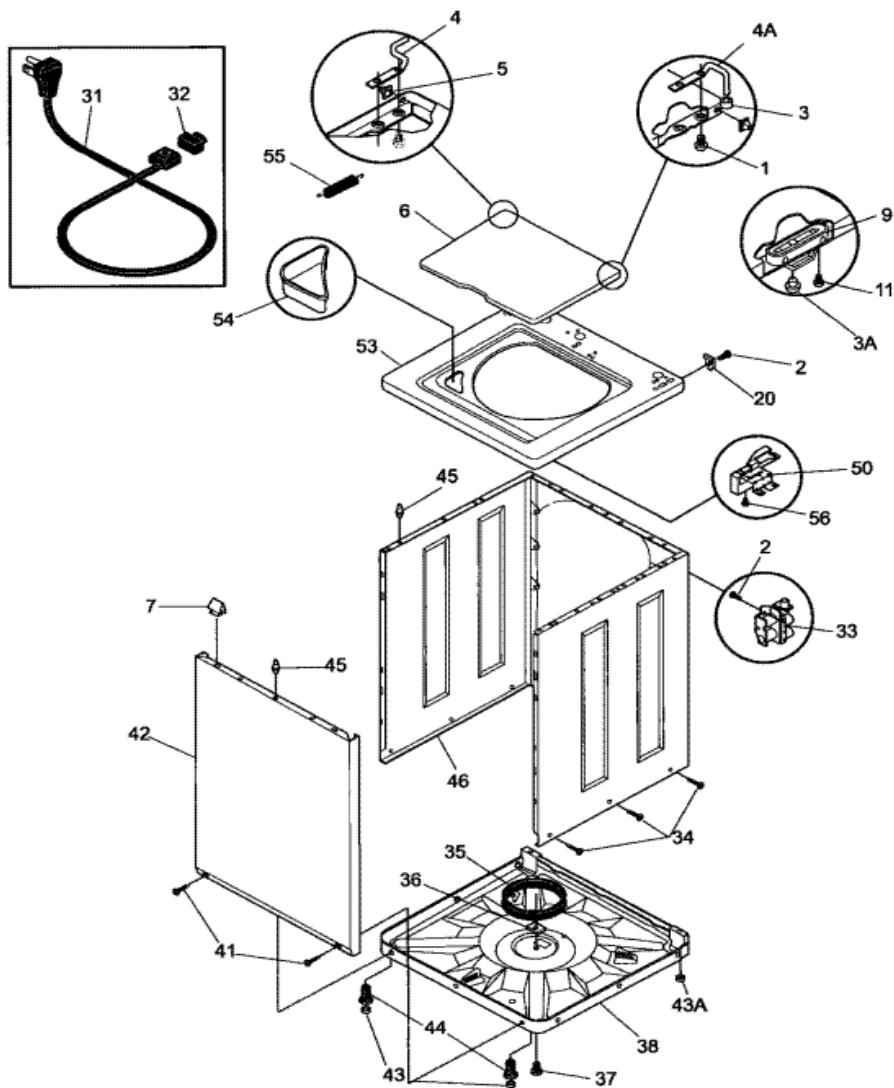


Distribuidor Autorizado

SurteRápido.com

Venta de Refacciones  
Electrodomesticas

## GLWS1233AS0 GABINETE





**GLWS1233AS0 GABINETE**

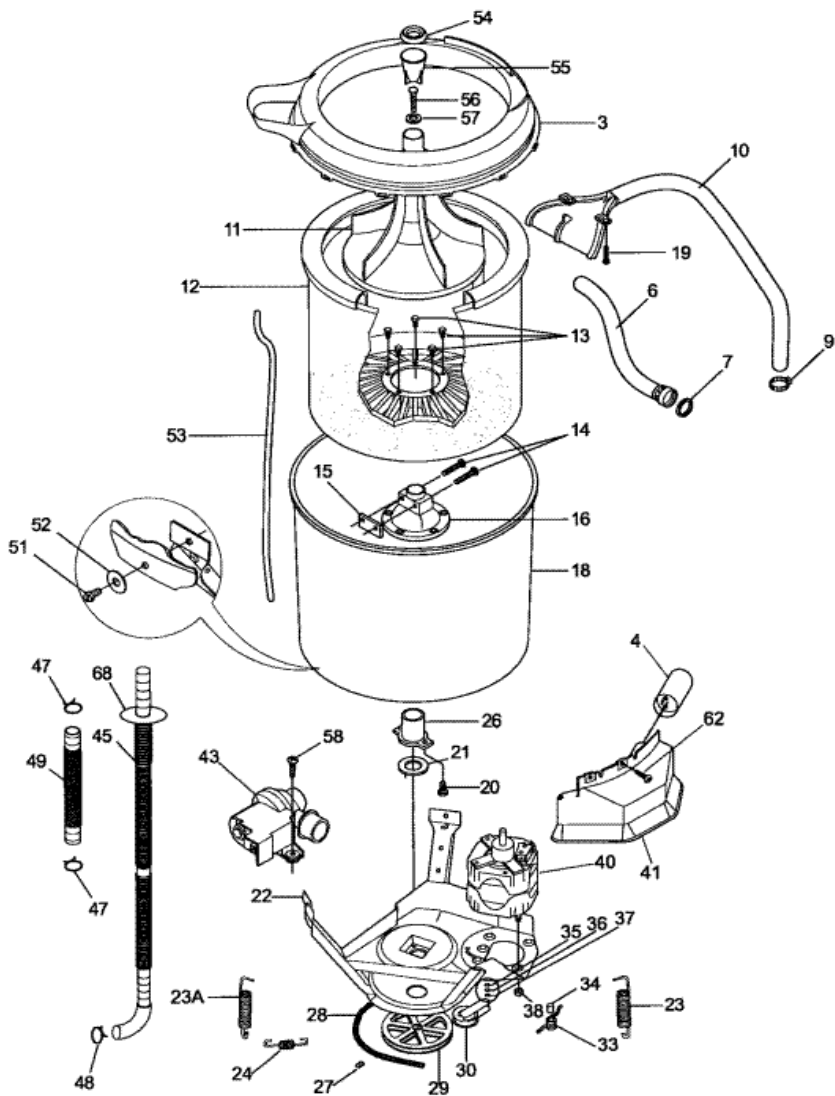
1	131587500	SCREW-HINGE, (S/P)
2	131168200	SCREW,8-18 X 0.31 (S/P)
3	131433300	BUMPER-HINGE (S/P)
4	131385910	HINGE-BAR,LH (S/P)
5	5303208743	GROMMET-LID (S/P)
6	131374401	LID,WHITE ,W/O INST. (S/P)
7	3205821	CLIP-TOP PANEL,TO FRONT PANEL (S/P)
9	131390000	STRIKE-LID
11	3204368	SCREW-STRIKE,PFH B ,6-20X.375 (S/P)
20	5303208751	HINGE-REAR CABINET
31	134501000	CORD-SERVICE (S/P)
32	5303209428	BUSHING-CORD (S/P)
34	131205500	SCREW-BODY,1/4-14 X 0.625 (S/P)
35	5308002385	RING-SNUBBER
36	3204380	BLOCK-SHIPPING (S/P)
37	131658900	SCREW-SHIPPING (S/P)
38	5303311213	BASE ASSEMBLY (S/P)
41	131258400	SCREW-FRONT (S/P)
42	131104303	PANEL-FRONT,WHITE (S/P)
43	131422100	PAD-LEVELING LEG
44	5303309673	LEG-LEVELING,WITH PAD
45	131346400	PIN-LOCATING (S/P)
46	134046600	BODY-WHITE (S/P)
50	134101800	LOCK-LID
53	131452692	PANEL-TOP BLCH WHT FS WSHR (S/P)
54	5303208778	DISPENSER-BLEACH (S/P)
55	5303212876	SPRING-LID
56	131243800	SCREW-BRKT (S/P)
F33	134190200	VALVE-WATER
43A	131422200	PAD-LEVEL LEG (S/P)
4A	131374220	HINGE BAR R.H. (S/P)

Distribuidor Autorizado

SurteRápido.com

Venta de Refacciones  
Electrodomesticas

GLWS1233AS0 TINA



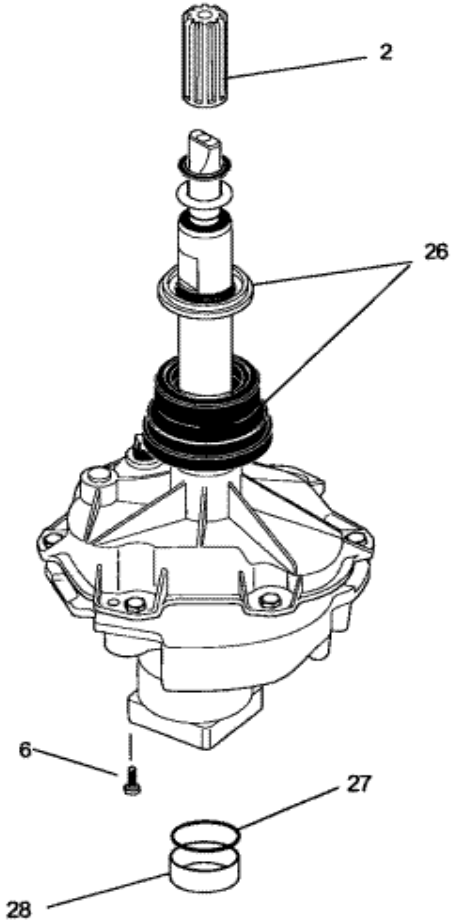
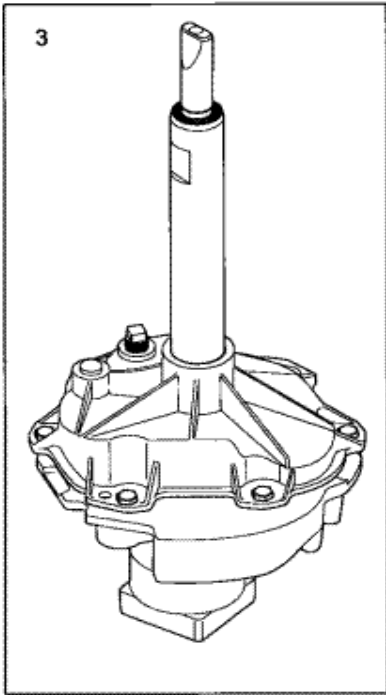


**GLWS1233AS0 TINA**

3	131551103	ASMY-SPLASH TUB COVER
4	131212301	CAPACITOR <b>(S/P)</b>
6	131279600	HOSE-INLET <b>(S/P)</b>
7	5303161296	WASHER-INLET HOSE <b>(S/P)</b>
9	5303304824	CLAMP
10	131726300	HOSE,NOZZLE, & CLAMP
11	131427200	AGITATOR
12	131221300	TUB-SPIN <b>(S/P)</b>
13	5303283293	SCREW-TRUNNION,
14	131192800	SCREW-LOCKPLATE,HX ,.
15	5308001923	LOCK PLATE
16	131545101	TRUNNION
18	131557201	TUB-SPLASH,WAIR DOME,BRNG <b>(S/P)</b>
19	131205300	SCREW,10-16X.75 <b>(S/P)</b>
20	3205150	SCREW-TUB BEARING, <b>(S/P)</b>
21	5308002401	WASHER,SPIN BEARING ,UPPER
22	131373610	LEG & DOME ASSY
23	5303208858	SPRING-VERTICAL,SHORT
24	131373900	SPRING-HORIZONTAL
26	3204405	BEARING-OUTER TUB
27	5303304825	SCREW-SET,HHD CUP PT , <b>(S/P)</b>
29	131498300	PULLEY-TRANSMISSION DRIVE
30	131862900	ASMY-VAW IDLER ARM
33	3204425	SPRING-TORSION
34	3204426	SLEEVE-IDLER
35	3161433	RING-RETAINING
36	5303261031	WASHER-PIVOT SHAFT
37	5303161306	WASHER-SPRING
38	5303318708	NUT-MOTOR <b>(S/P)</b>
40	131902700	MOTOR/PULLEY 3/4HP 2SP EMERSON
41	131513300	SHIELD-MOTOR <b>(S/P)</b>
43	134051200	ASMY-PUMP
47	5303294768	CLAMP-HOSE TO TUB <b>(S/P)</b>

48	131306234	CLAMP-PUMP (S/P)
51	131659000	SCREW-LEG,HWH TYP23 ,5/16-18X.875 (S/P)
52	3005891	WASHER-LEG,IDX.040 ,1.25 ODX.335 (S/P)
53	5300771996	TUBE-PRESSURE (S/P)
54	131266800	CAP-DISPENSER (S/P)
55	131206100	CUP-DISPENSER (S/P)
56	131468900	SCREW-AGITATOR (S/P)
57	131339600	SPACER-AGITATOR (S/P)
58	131464900	SCREW-PUMP-TO BRACKET (S/P)
62	131258400	SCREW-FRONT (S/P)
68	131707800	RING-DRAIN HOSE (S/P)
F28	131686100	BELT-WASHER
F49	131494800	HOSE-PUMP TO TUB
F45	131461200	HOSE-DRAIN,90 INCH
23A	5303208860	SPRING-VERTICAL

**GLWS1233AS0 TRANSMISION**

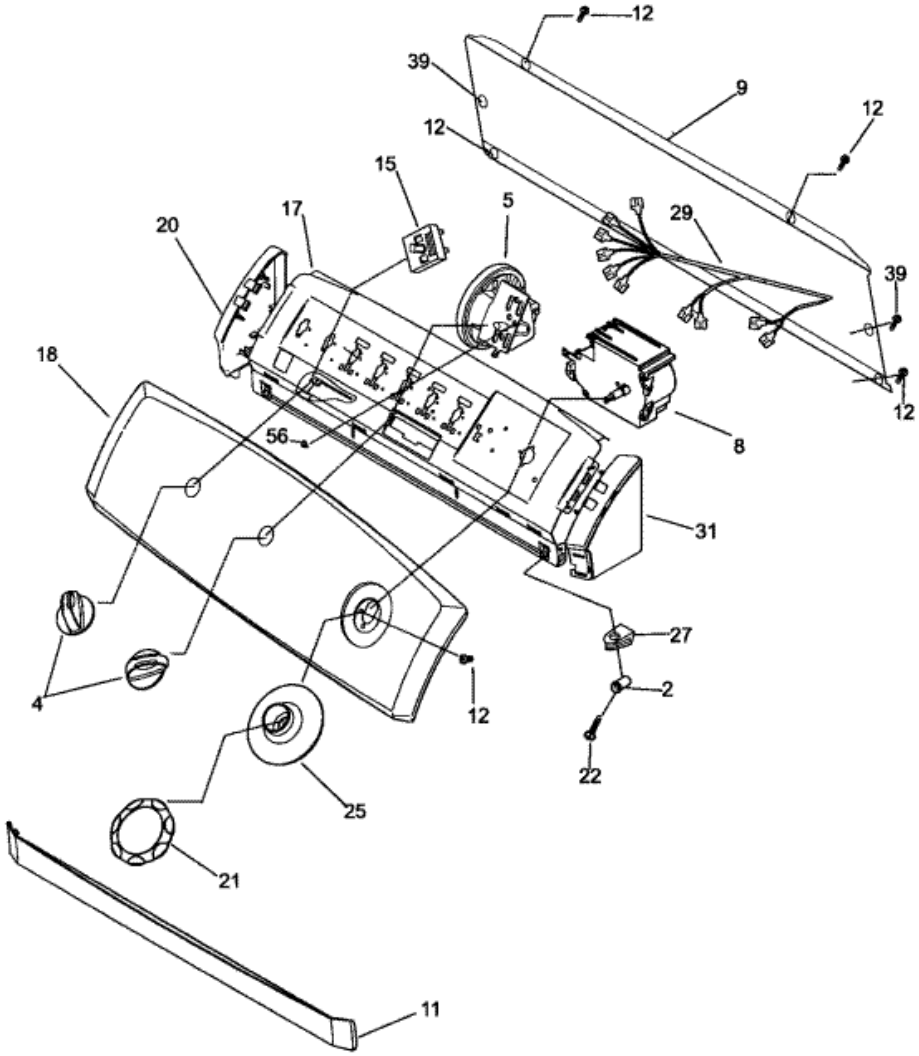




## GLWS1233AS0 TRANSMISION

2	131475100	HUB-DRIVE
3	131878411	TRANSMISSION-COMPLETE
6	131346600	SCREW <b>(S/P)</b>
26	5303279394	SEAL-TUB
27	131784300	<b>DESCONTINUADO</b>
28	131784400	SPACER-TRANS BRG BLOCK-KOYO <b>(S/P)</b>

**GLWS1233AS0 TABLERO**







**GLWS1233AS0 TABLERO**

2	134096100	SPACER-CONSOLE MOUNTING (S/P)
4	134844410	KNOB-ROTARY-WHT ``Z`` CONS
8	134049600	TIMER ELEC S MALLORY DELTA
9	131992910	BACKSHEET-``Z`` CONS-VAW (S/P)
11	134019900	CLOSURE-FRONT-WHT ``Z``CONS (S/P)
12	131168200	SCREW,8-18 X 0.31 (S/P)
15	134407700	SWITCH-TEMPERATURE (S/P)
17	131993040	BRKT-CONT MTG-``Z`` CONS-DELTA (S/P)
18	134096700	TRIMPLATE FDA1SRSZ-2 (S/P)
20	134019610	END CAP-LH-WHT ``Z`` CONS (S/P)
21	134035200	ASMY-KNOB-TIMER-DELTA WHITE
22	131266300	SCREW-END CAP (S/P)
25	134035100	POINTER-TIMER DELTA WHT/DK GRY (S/P)
27	131197000	CLIP-CONTROL PANEL (S/P)
29	131981600	HARN S ROT TEMP (S/P)
31	134019600	END CAP-RH-WHT ``Z``CONS (S/P)
39	131205100	SCREW,NO.8 PAN HEAD (S/P)
56	131243800	SCREW-BRKT TOP,PAN HD LOCKING (S/P)
F5	134497500	SWITCH-PRESSURE