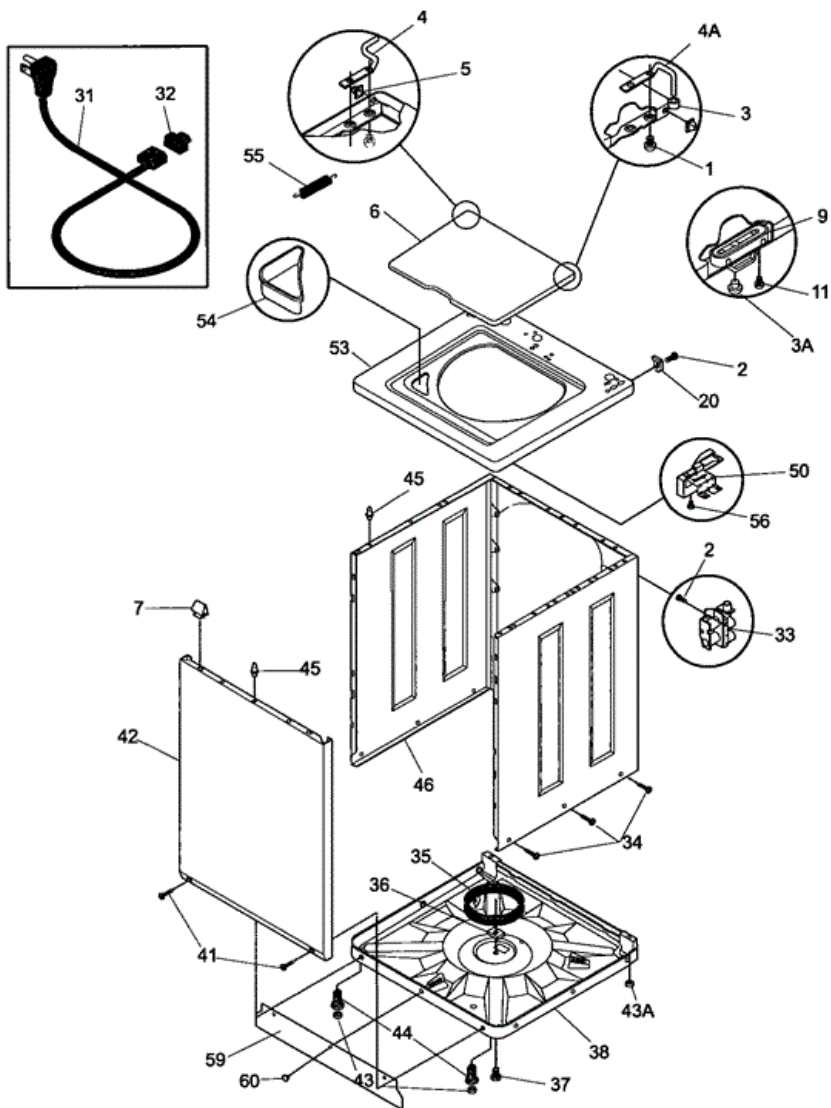


Distribuidor Autorizado

SurteRápido.com

Venta de Refacciones  
Electrodomesticas

## GLWS1649AS0 GABINETE





## GLWS1649AS0 GABINETE

1	131587500	SCREW-HINGE,PPH 45DEG HDRPT ,6-32 X 0.3125
2	131168200	SCREW, 8-18 X 0.31
3	131433300	BUMPER-HINGE
4	131385910	HINGE-BAR,LH
5	5303208743	GROMMET-LID
6	131374401	LID, WHITE, W/O INST.
7	3205821	CLIP-TOP PANEL, TO FRONT PANEL
9	131390000	STRIKE-LID
11	3204368	SCREW-STRIKE, PFH B, 6-20 X .375
20	5303208751	HINGE-REAR CABINET
32	5303209428	BUSHING-CORD
34	131205500	SCREW-BODY, 1/4-14 X 0.625
35	5308002385	RING-SNUBBER
36	3204380	BLOCK-SHIPPING
37	131658900	SCREW-SHIPPING
38	5303311213	BASE ASSEMBLY
3A	134075500	BUMPER-LID
41	131258400	SCREW-FRONT PNL,COMB TH AB ,10-16 X 0.500
42	131104303	PANEL - FRONT - WHITE
43	131422100	PAD-LEVELING LEG
43A	131422200	PAD-LEVEL LEG
44	5303309673	LEG-LEVELING, WITH PAD
45	131346400	PIN, LOCATING
46	131593500	BODY-WHITE
4A	131374220	HINGE BAR R.H.
50	131675600	LOCK-LID
53	131452692	PANEL-TOP BLCH WHT FS WSHR
54	5303208778	DISPENSER-BLEACH
55	5303212876	SPRING-LID
56	131243800	SCREW-BRKT TOP,PAN HD LOCKING ,8-32CA
59	131744301	BARRIER-NOISE
60	131362400	FASTENER
F31	134100800	CORD-SERVICE

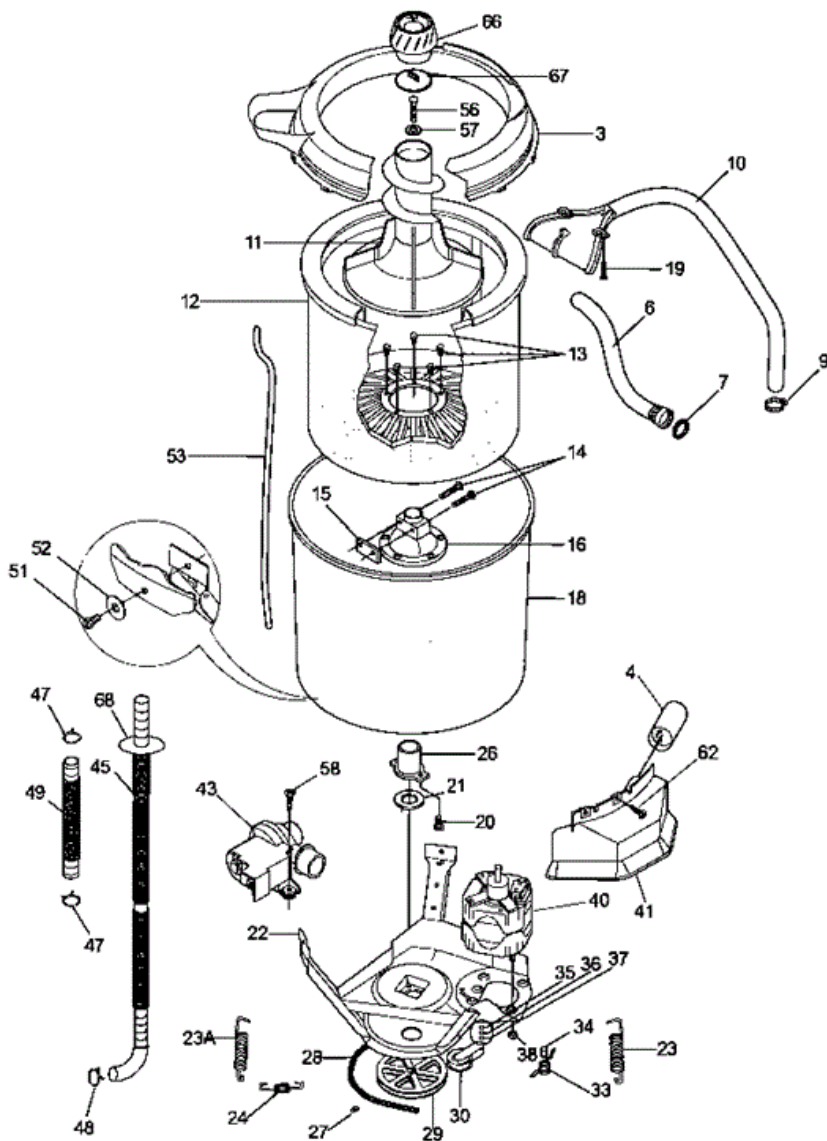
F33	131389300	VALVE-WATER
NI	131744201	VIBRATION DAMPER
NI	5303309503	CLIP-BACKSHEET

Distribuidor Autorizado

SurteRápido.com

Venta de Refacciones  
Electrodomesticas

GLWS1649AS0 TINAS



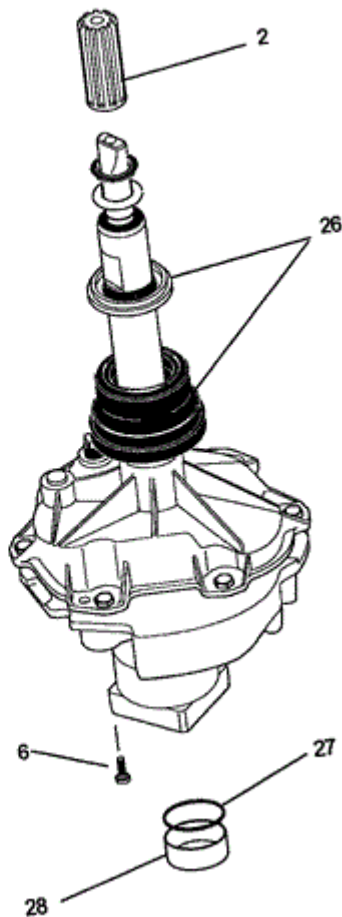
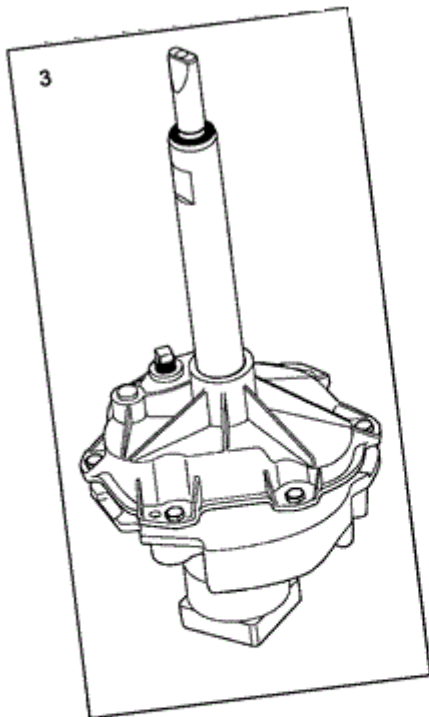


## GLWS1649AS0 TINAS

3	131551102	ASMY-SPLASH TUB COVER H+
4	131212301	CAPACITOR
6	5303271009	HOSE-INLET
7	5303161296	WASHER-INLET HOSE
9	5303304824	CLAMP
10	131726300	HOSE,NOZZLE, & CLAMP
11	131605901	ASSY-AGITATOR-DUAL ACTION
12	131221300	TUB-SPIN
13	5303283293	SCREW-TRUNNION,UNC2AX.625`.312-18 ,(5)
14	131192800	SCREW-LOCKPLATE, HX, .312-18 X .1.625
15	5308001923	LOCKPLATE
16	131545101	TRUNNION
18	131557201	TUB-SPLASH, W/AIR DOME, BRNG
19	131205300	SCREW, 10-16 X .75
20	3205150	SCREW-TUB BEARING, PPH B ST/Z, 8-12 X 0.750
21	5308002401	WASHER, SPIN BEARING, UPPER
22	131373610	LEG & DOME ASSY
23	5303208858	SPRING-VERTICAL (SHORT)
23A	5303208860	SPRING-VERTICAL
24	131373900	SPRING-HORIZONTAL
26	3204405	BEARING-OUTER TUB
27	5303304825	SCREW-SET, HHD CUP PT, 5/16-18 X .85,
29	131498301	PULLEY-TRANSMISSION DRIVE
30	131862900	ASMY-VAW IDLER ARM
33	3204425	SPRING TORSION
34	3204426	SLEEVE-IDLER
35	3161433	RING-RETAINING
36	5303261031	WASHER-PIVOT SHAFT
37	5303161306	WASHER-SPRING
38	5303318708	NUT-MOTOR
40	131902700	MOTOR/PULLEY 3/4HP 2SP EMERSON
41	131513300	SHIELD-MOTOR
43	131724000	ASMY-PUMP

47	5303294768	CLAMP-HOSE TO TUB
48	131306234	CLAMP-PUMP
51	131659000	SCREW-LEG, HWH TYP 23, 5/16-18 X .875
52	131315800	WASHER-LEG, IDX.040, 1.25 ODX.335
53	5300771996	TUBE, PRESSURE
56	131468900	SCREW-AGITATOR,HWH SHLDR `5/16-18X1.250
57	131339600	SPACER-AGITATOR
58	131464900	SCREW-PUMP-TO BRACKET
62	131258400	SCREW-FRONT PNL,COMB TH AB ,10-16 X 0.500
66	131624500	CUP/CAP ASSY
67	131606210	CAP ASSEMBLY
68	131707800	RING-DRAIN HOSE
F28	131686100	BELT-WASHER
F45	131461200	HOSE-DRAIN,90 INCH
F49	131494800	HOSE-PUMP TO TUB
NI	131462500	CLIP-DRAIN HOSE
NI	131506500	CLIP-DRAIN HOSE
NI	131663500	CUSHION
NI	131901400	SEAL-SPLASH TUB COVER
NI	5303212877	INSERT-SPRING ADJ
NI	5303309503	CLIP-BACKSHEET

**GLWS1649AS0 TRANSMISION**



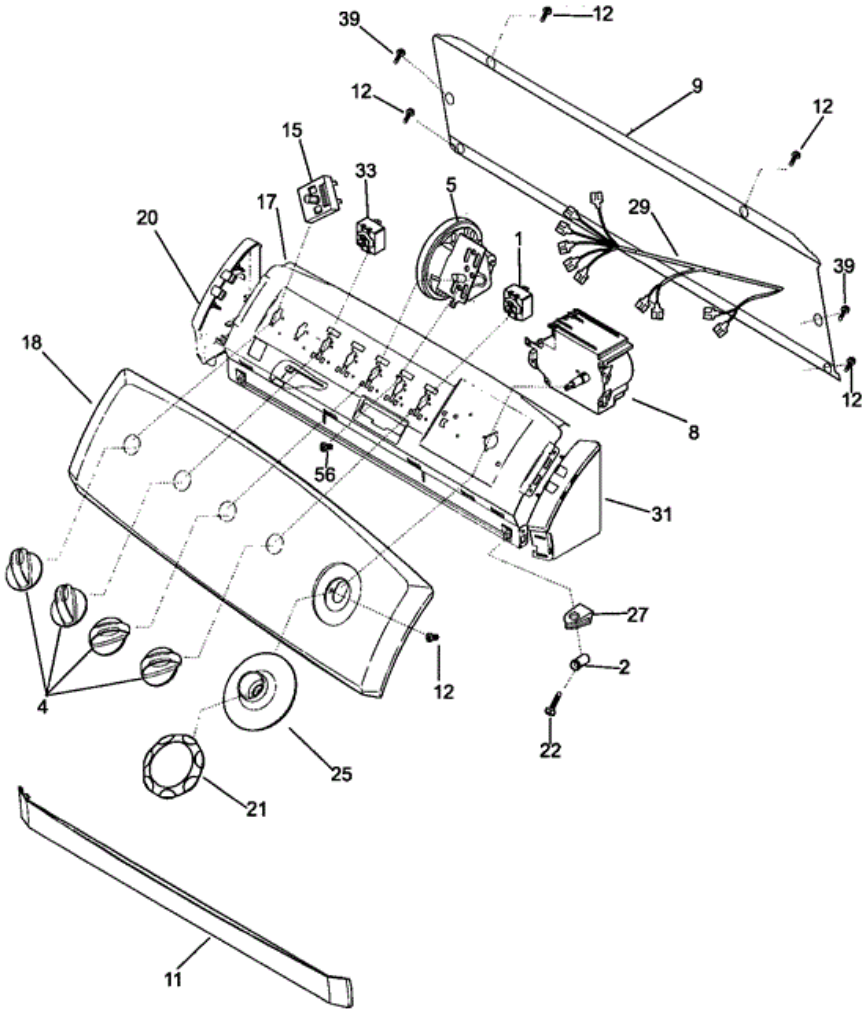


## GLWS1649AS0 TRANSMISION

2	131475100	HUB-DRIVE
3	131878412	TRANSMISSION-COMPLETE
6	131346600	SCREW
26	5303279394	SEAL-TUB
27	131784300	WASHER-TRANS-BRG BLOCK-KOYO
28	131784400	SPACER-TRANS BRG BLOCK-KOYO



**GLWS1649AS0 TABLERO**





**GLWS1649AS0 TABLERO**

1	131157900	SWITCH-SPEED
2	134096100	SPACER-CONSOLE MOUNTING
4	134034900	KNOB-ROTARY-WHT ``Z`` CONS
8	131856400	TIMER-ELEC Y
9	131992910	BACKSHEET-``Z`` CONS-VAW
11	134019900	CLOSURE-FRONT-WHT``Z``CONS
12	131168200	SCREW, 8-18 X 0.31
17	131993000	BRKT-CONT MTG-``Z`` CONS-DELTA
18	134074200	TRIMPLATE FDA1YRSZ
20	134019610	END CAP-LH-WHT``Z`` CONS
21	134035200	ASMY-KNOB-TIMER-DELTA WHITE
22	131266300	SCREW-END CAP,CR OVAL HEAD ,8-18AB
25	134035100	POINTER-TIMER DELTA WHT/DK GRY
27	131197000	CLIP-CONTROL PANEL
29	134072400	HARN-Y-ROT SP/TEMP/X-RINSE
31	134019600	END CAP-RH-WHT``Z``CONS
39	131205100	SCREW,NO.8 PAN HEAD ,10-10B X 0.50 ,CR/SQ DRIVE
56	131243800	SCREW-BRKT TOP,PAN HD LOCKING ,8-32CA
F15	131081200	SWITCH-TEMPERATURE
F33	131243200	SWITCH-EXTRA RINSE/SPEED
F5	131396200	SWITCH-PRESSURE