

Distribuidor Autorizado

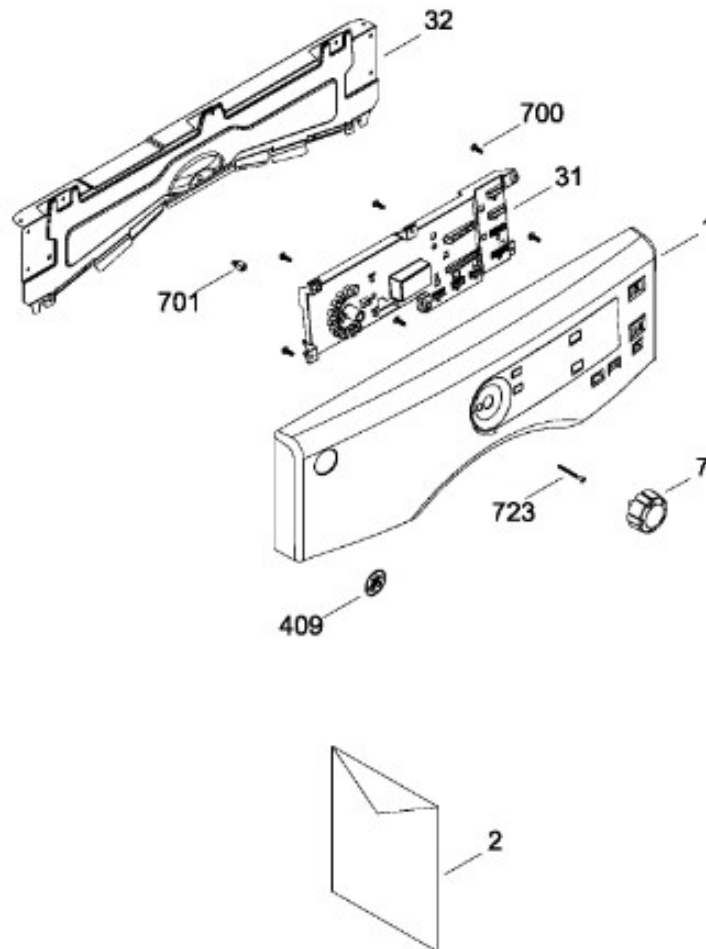
SurteRápido.com

Venta de Refacciones
Electrodomesticas

SECADORA GMMN120ED1WW

SISTEMA CONTROLES / CONTROL SYSTEM

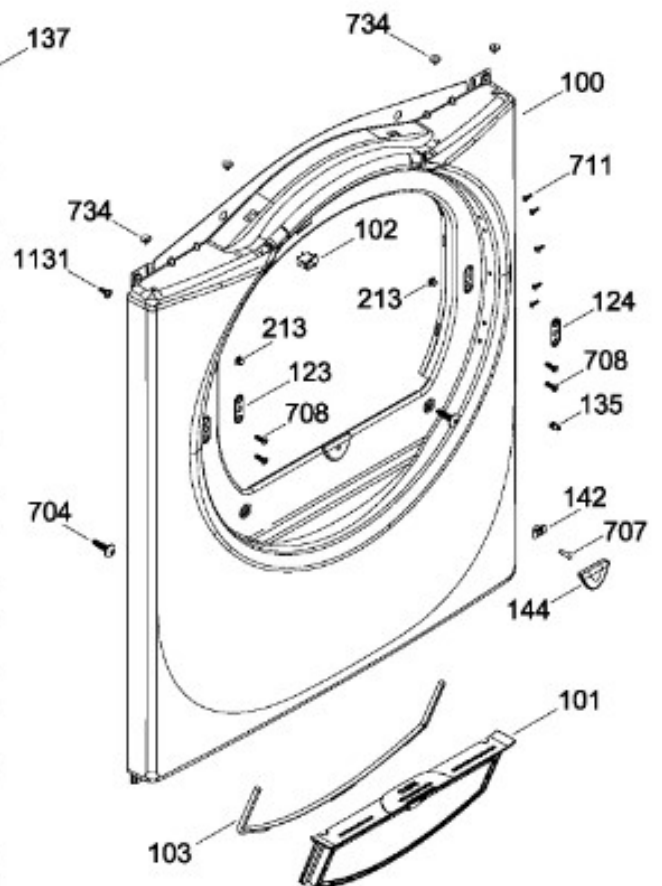
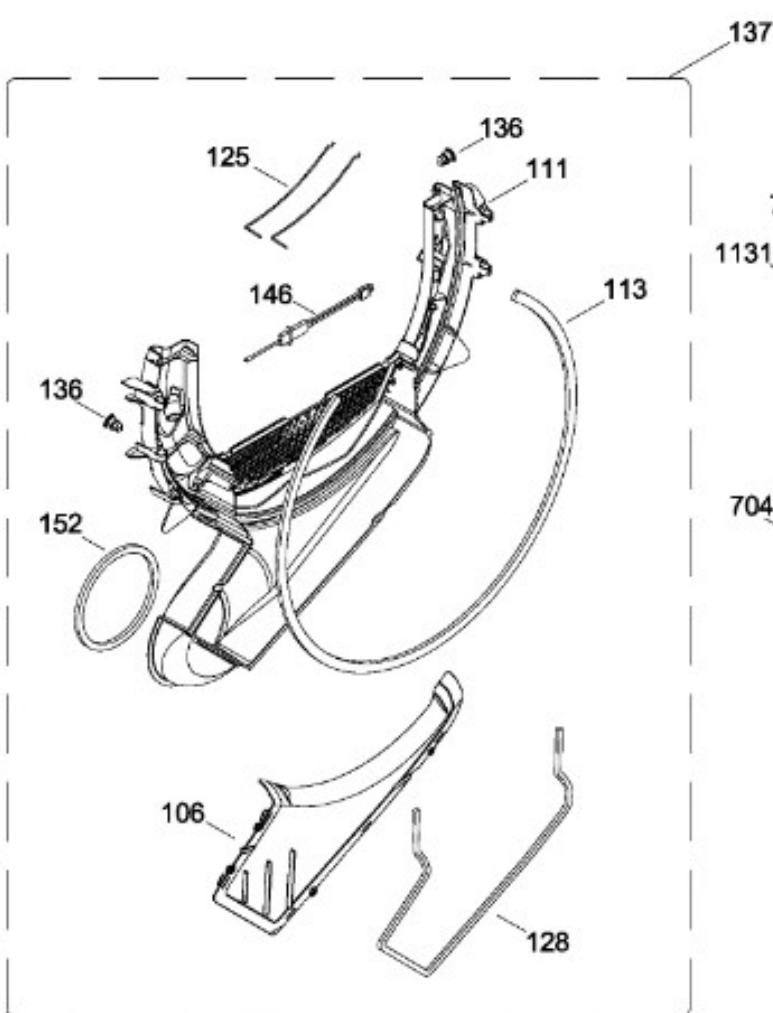
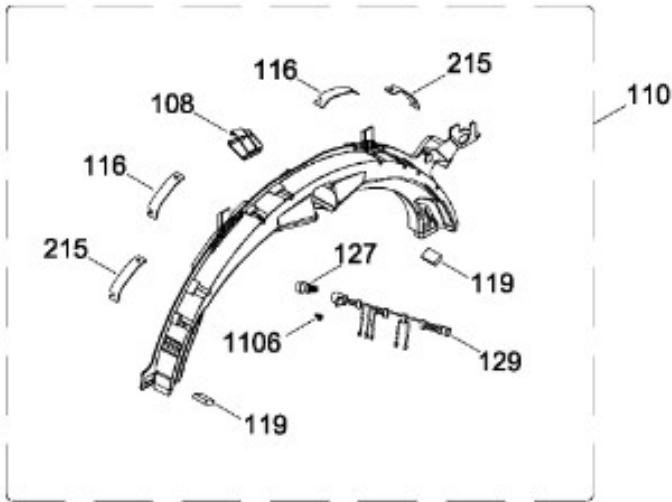
GFMN110ED1WW
GFMN120ED1WW
GMMN120ED1WW



SECADORA GMMN120ED1WW

PANEL FRONTAL (ENS) / FRONT PANEL (ASM)

GFMN110ED1WW
GFMN120ED1WW
GMMN120ED1WW



Distribuidor Autorizado

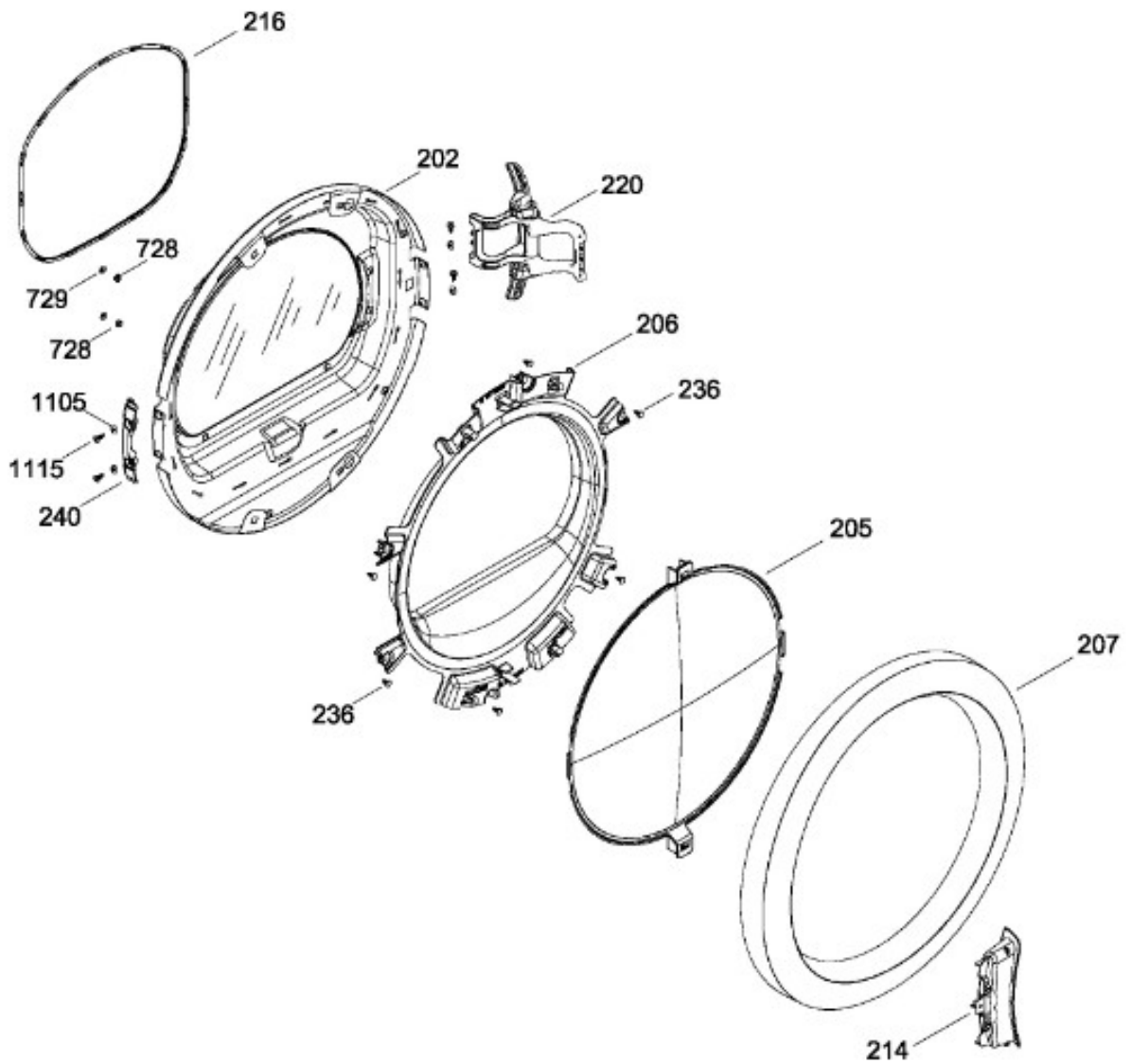
SurteRápido.com

Venta de Refacciones
Electrodomesticas

SECADORA GMMN120ED1WW

PUERTA (ENS) / DOOR (ASM)

GFMN110ED1WW
GFMN120ED1WW
GMMN120ED1WW



Distribuidor Autorizado

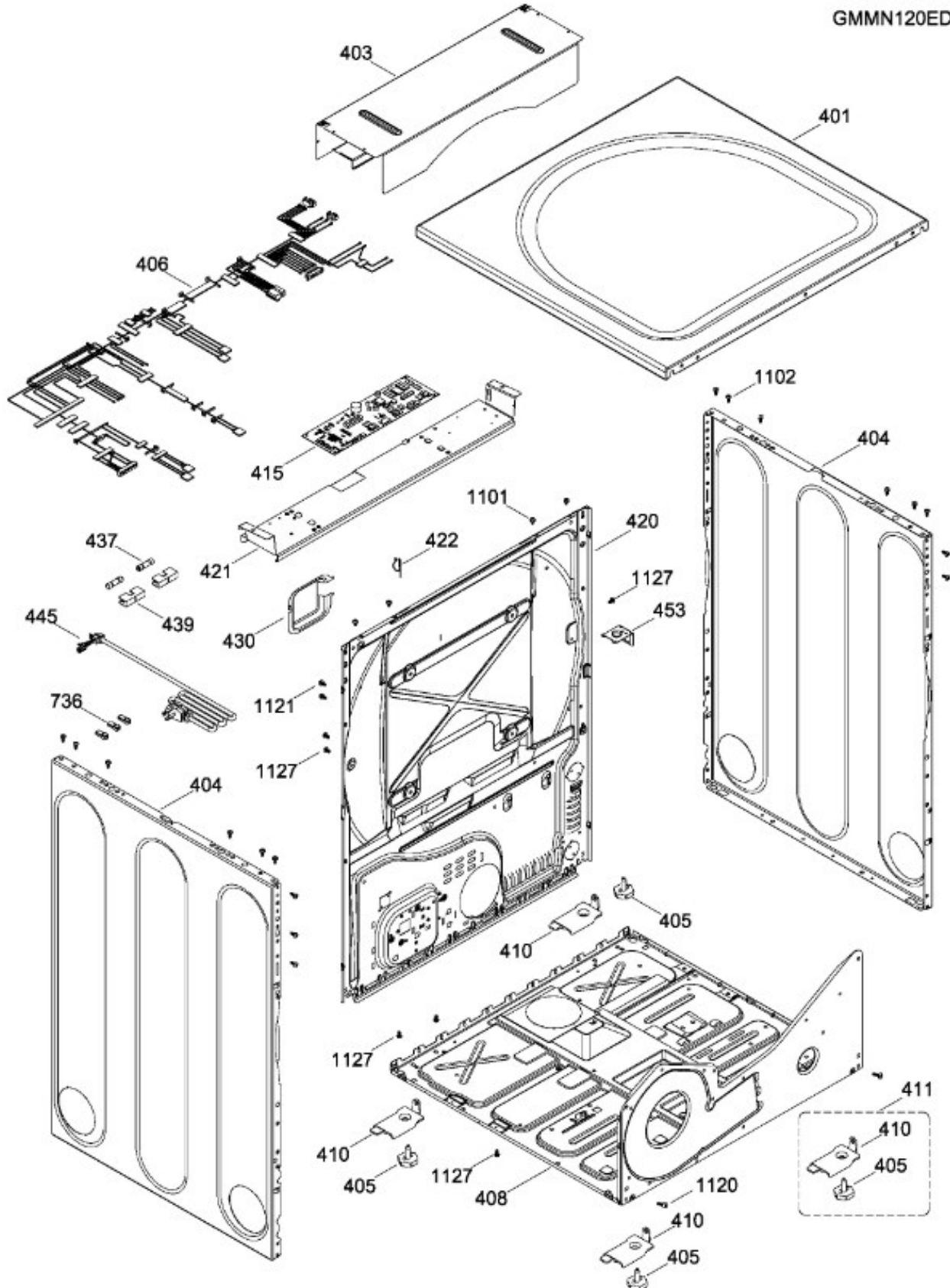
SurteRápido.com

Venta de Refacciones
Electrodomesticas

SECADORA GMMN120ED1WW

GABINETE / STRUCTURE

GFMN110ED1WW
GFMN120ED1WW
GMMN120ED1WW



Distribuidor Autorizado

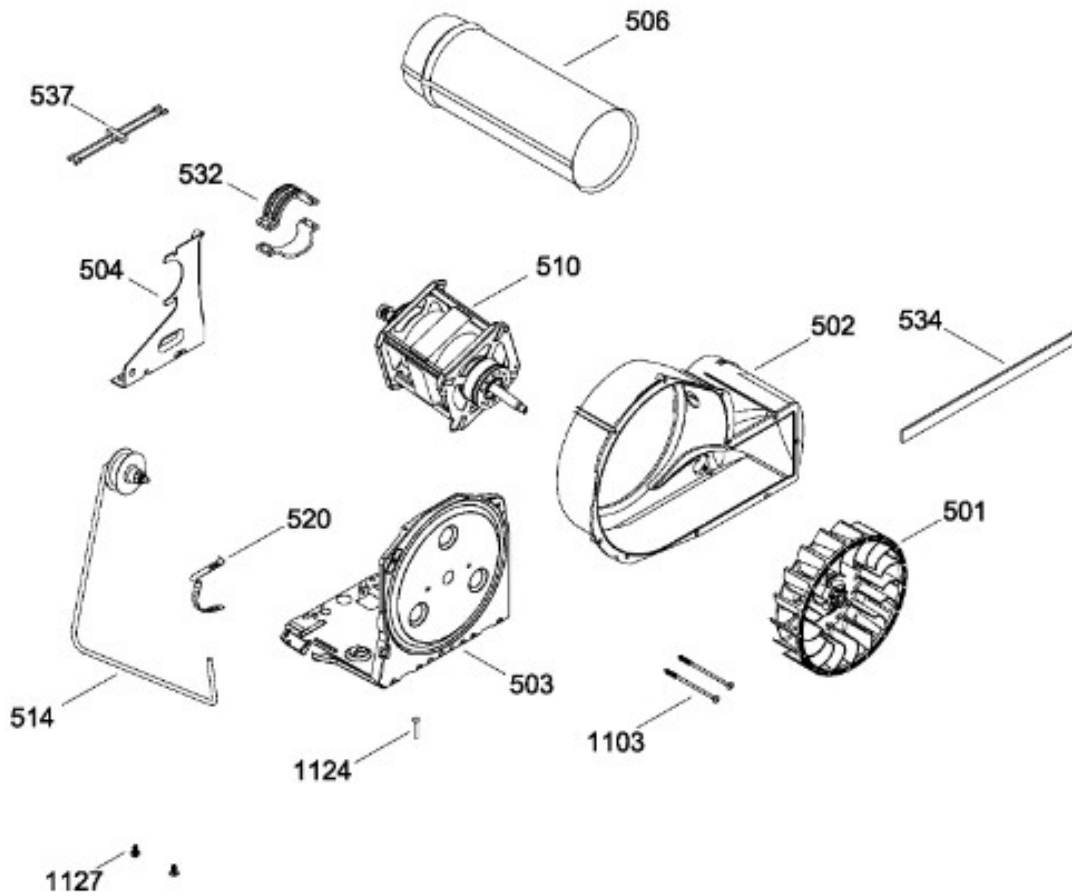
SurteRápido.com

Venta de Refacciones
Electrodomesticas

SECADORA GMMN120ED1WW

SISTEMA DE TRANSMISION (ENS) / BLOWER & DRIVE (ASM)

GFMN110ED1WW
GFMN120ED1WW
GMMN120ED1WW



Distribuidor Autorizado

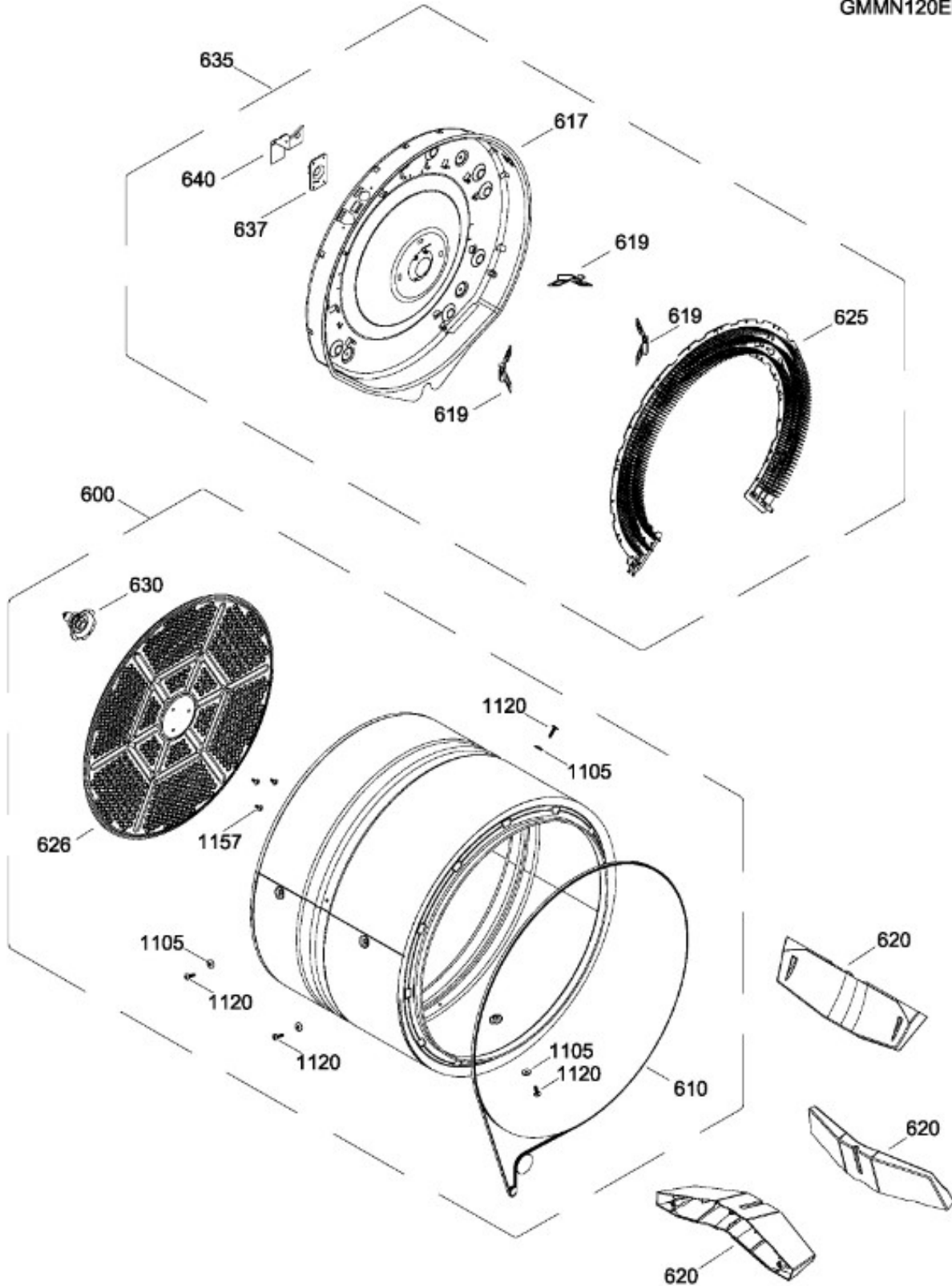
SurteRápido.com

Venta de Refacciones
Electrodomesticas

SECADORA GMMN120ED1WW

TAMBOR (ENS) / DRUM (ASM)

GFMN110ED1WW
GFMN120ED1WW
GMMN120ED1WW



Distribuidor Autorizado

SurteRápido.com

Venta de Refacciones
Electrodomesticas

SECADORA GMMN120ED1WW

| Guía | Refacción | Descripción |
|------|------------|---------------------------|
| 1 | WW03L00242 | PANEL DE CONTROL ENS |
| 2 | WW03A00162 | MANUAL DE USO Y CUIDADO |
| 7 | WW03L00217 | PERILLA |
| 7 | WW03L00344 | PERILLA |
| 31 | WW03F00305 | TARJETA Y CHASIS ENSAMBLE |
| 32 | WW03L00218 | PROTECTOR FRONTAL |
| 100 | WW03L00219 | PANEL FRONTAL(BCO) |
| 101 | WW03L00186 | MARCO Y FILTRO ENS |
| 101 | WW02F00614 | MARCO Y FILTRO ENS |
| 102 | WW02L00025 | INTERRUPTOR PUERTA |
| 103 | WW03L00187 | SELLO FILTRO |
| 106 | WW03L00220 | CUBIERTA COLECTOR DE AIRE |
| 106 | WW02F00613 | CUBIERTA COLECTOR DE AIRE |
| 108 | WW02L00172 | DOOR SWITCH COVER |
| 110 | WW03A00154 | COJINETE SUPERIOR ENS |
| 110 | WW02L00521 | COJINETE SUPERIOR ENS |
| 111 | WW03A00161 | DUCTO TRAMPA |
| 111 | WW03A00161 | DUCTO TRAMPA |
| 111 | WW02F00604 | DUCTO TRAMPA |
| 113 | WW02L00138 | FELPA DUCTO RECOLECTOR |
| 116 | WW03A00016 | COJINETE DESLIZABLE |
| 116 | WW02A00250 | COJINETE DESLIZABLE |
| 119 | WW02F00131 | FIELTRO |
| 119 | WW02F00784 | FIELTRO |
| 123 | WW02A00056 | STRIKE PLATE |
| 124 | WW02A00057 | STRIKE PLATE |
| 125 | WW02F00088 | SENSOR ROD |
| 127 | WW02A00067 | LAMP |
| 127 | WW03F00458 | LAMP |
| 127 | WW03F00458 | LAMPARA |
| 128 | WW03A00117 | SELLO |
| 129 | WW03F00306 | ARNES COJINETE SUPERIOR |
| 135 | WW03F00307 | SEGURO |
| 136 | WW03L00221 | TAPON CIEGO(GRIS) |
| 137 | WW03F00308 | DUCTO TRAMPA ENS |

Distribuidor Autorizado

SurteRápido.com

Venta de Refacciones
Electrodomesticas

SECADORA GMMN120ED1WW

| Guía | Refacción | Descripción |
|------|------------|-------------------------------|
| 137 | WW02F00610 | DUCTO TRAMPA ENS |
| 142 | WW02A00093 | NUT-STRIP DOOR GUIDE |
| 144 | WW02L00167 | DOOR GUIDE |
| 146 | WW02F00135 | HARNESS SENSORS |
| 152 | WW03L00190 | SELLO DUCTO TRAMPA |
| 152 | WW03F00354 | SELLO DUCTO TRAMPA |
| 202 | WW03L00222 | PUERTA SUB ENSAMBLE |
| 205 | WW03L00223 | VENTANA EXTERIOR |
| 206 | WW03F00309 | MASCARA PUERTA |
| 207 | WW03L00224 | ANILLO EXTERIOR PUERTA(GRIS) |
| 207 | WW01L01497 | ANILLO EXTERIOR PUERTA(GRIS) |
| 213 | WW02L00037 | LATCH ASM. |
| 214 | WW03L00225 | INSERTO JALADERA |
| 215 | WW03A00015 | COJINETE DESLIZABLE |
| 216 | WW03L00226 | SELLO PUERTA |
| 216 | WW02L00414 | SELLO PUERTA |
| 220 | WW03L00227 | BISAGRA ENS |
| 236 | WW02A00065 | BOTON BELLEZA |
| 240 | WW03L00228 | CUBIERTA BISAGRA |
| 401 | WW03L00229 | TAPA SUPERIOR(BCO) |
| 403 | WW03A00155 | PLACA POSTERIOR |
| 404 | WW03L00205 | LATERAL(BCO) |
| 404 | WW02L00644 | LATERAL(BCO) |
| 405 | WW02L00191 | PATTE DE NIVELLEMENT |
| 406 | WW02F00495 | ARNES ELECTRICO ENSAMBLE |
| 408 | WW03L00230 | BASE CHASIS |
| 409 | WW03A00160 | LOGO GE |
| 410 | WW02A00113 | SUPPORT (PATTE DE NIVELLEMENT |
| 411 | WW02F00139 | LEVELING LEG ASSEMBLY |
| 415 | WW03F00310 | TARJETA PRINCIPAL ENS |
| 415 | WW02F00788 | TARJETA PRINCIPAL ENS |
| 415 | WW02F00821 | TARJETA ENSAMBLE |
| 420 | WW01L01170 | PANEL POSTERIOR |
| 420 | WW03L00383 | PANEL POSTERIOR |
| 421 | WW02F00140 | MAIN POWER BOARD SUPPORT |

Distribuidor Autorizado

SurteRápido.com

Venta de Refacciones
Electrodomesticas

SECADORA GMMN120ED1WW

| Guía | Refacción | Descripción |
|------|------------|-------------------------------|
| 422 | WW02F00022 | CORD SET RETAINER |
| 430 | WW02L00211 | CUBIERTA TERMINAL FUSIBLE |
| 437 | WW03F00044 | FUSIBLE |
| 439 | WW03F00107 | PORTA FUSIBLE |
| 445 | WW03F00109 | CORDON TOMACORRIENTE(240V CA) |
| 453 | WW02A00128 | SOPORTE ANTI TENSION |
| 453 | WW01A00535 | SOPORTE ANTI TENSION |
| 501 | WW01F01162 | VENTILADOR REDONDO |
| 501 | WW02A00011 | VENTILADOR REDONDO |
| 502 | WW03F00311 | CAJA VENTILADOR |
| 503 | WW01L01163 | BASE MOTOR |
| 503 | WW01L01163 | BASE MOTOR |
| 503 | WW02L00642 | BASE MOTOR |
| 504 | WW02F00027 | SOPORTE MOTOR |
| 506 | WW02F00129 | EXHAUST DUCT |
| 506 | WW02F00721 | EXHAUST DUCT |
| 510 | WW02F00015 | MOTOR POLEA ENS. |
| 510 | WW03A00209 | MOTOR POLEA ENS. |
| 514 | WW02A00008 | ENS. BRAZO AUXILIAR |
| 514 | WW03F00350 | ENS. BRAZO AUXILIAR |
| 520 | WW02F00031 | CLIP MOTOR |
| 532 | WW02F00003 | CORREA MOTOR |
| 532 | WW02A00232 | CORREA MOTOR |
| 534 | WW02A00026 | EMPAQUE ESCAPE SOPLADOR |
| 534 | WW02F00785 | EMPAQUE ESCAPE SOPLADOR |
| 537 | WW03F00312 | ARNES PORTAFUSIBLE |
| 600 | WW03F00313 | TAMBOR ENSAMBLE |
| 610 | WW02F00028 | BANDA SECADORA |
| 610 | WW02F00854 | BANDA SECADORA |
| 617 | WW03L00152 | CUBIERTA CALENTADOR |
| 617 | WW03L00152 | CUBIERTA CALENTADOR |
| 619 | WW01A00442 | SOPORTE DE PROTECCION |
| 620 | WW02L00143 | BAFFLE |
| 625 | WW03F00180 | CALENTADOR ENS |
| 626 | WW02F00827 | DIFUSOR |

Distribuidor Autorizado

SurteRápido.com

Venta de Refacciones
Electrodomesticas

SECADORA GMMN120ED1WW

| Guía | Refacción | Descripción |
|------|------------|-----------------------------|
| 630 | WW02A00019 | ENS. SOPORTE BUJE |
| 635 | WW03F00181 | CALENTADOR Y CUBIERTA ENS |
| 637 | WW02A00005 | RETENEDOR RODAMIENTO |
| 640 | WW02F00833 | SOPORTE TIERRA ENS |
| 700 | WW02A00102 | SCREW CHASSIS TO FRONT HSG. |
| 701 | WW02A00087 | ENCLOSED SCREW GROMMET |
| 704 | WW02A00099 | SCREW # 10 |
| 707 | WW02A00097 | SCREW |
| 708 | WW02A00098 | SCREW |
| 708 | WW01A00539 | SCREW |
| 711 | WW02A00101 | TORNILLO |
| 723 | WW03A00145 | TORNILLO HI/LO 8-18 |
| 728 | WW02A00114 | TUERCAS |
| 729 | WW03A00146 | ARANDELAS |
| 734 | WW03A00156 | TORNILLO 8-18 AB PNQ2 |
| 736 | WW03A00159 | PROTECTOR TERMINALES |
| 1101 | WW02A00030 | TORNILLO |
| 1101 | WW02A00211 | TORNILLO |
| 1102 | WW02A00029 | TORNILLO |
| 1102 | WW02A00211 | TORNILLO |
| 1103 | WW02A00032 | TORNILLO |
| 1105 | WW02A00002 | ARANDELA |
| 1106 | WW02A00027 | SCREW |
| 1115 | WW01A00450 | TORNILLO 8-18 AB 1/2 |
| 1120 | WW02A00031 | TORNILLO |
| 1121 | WW01A00001 | TORNILLO |
| 1124 | WW02A00070 | TORNILLO |
| 1127 | WW01A00521 | TORNILLO |
| 1127 | WW02A00211 | TORNILLO |
| 1131 | WW02A00028 | TORNILLO |
| 1157 | WW01A00456 | TORNILLO #10 |