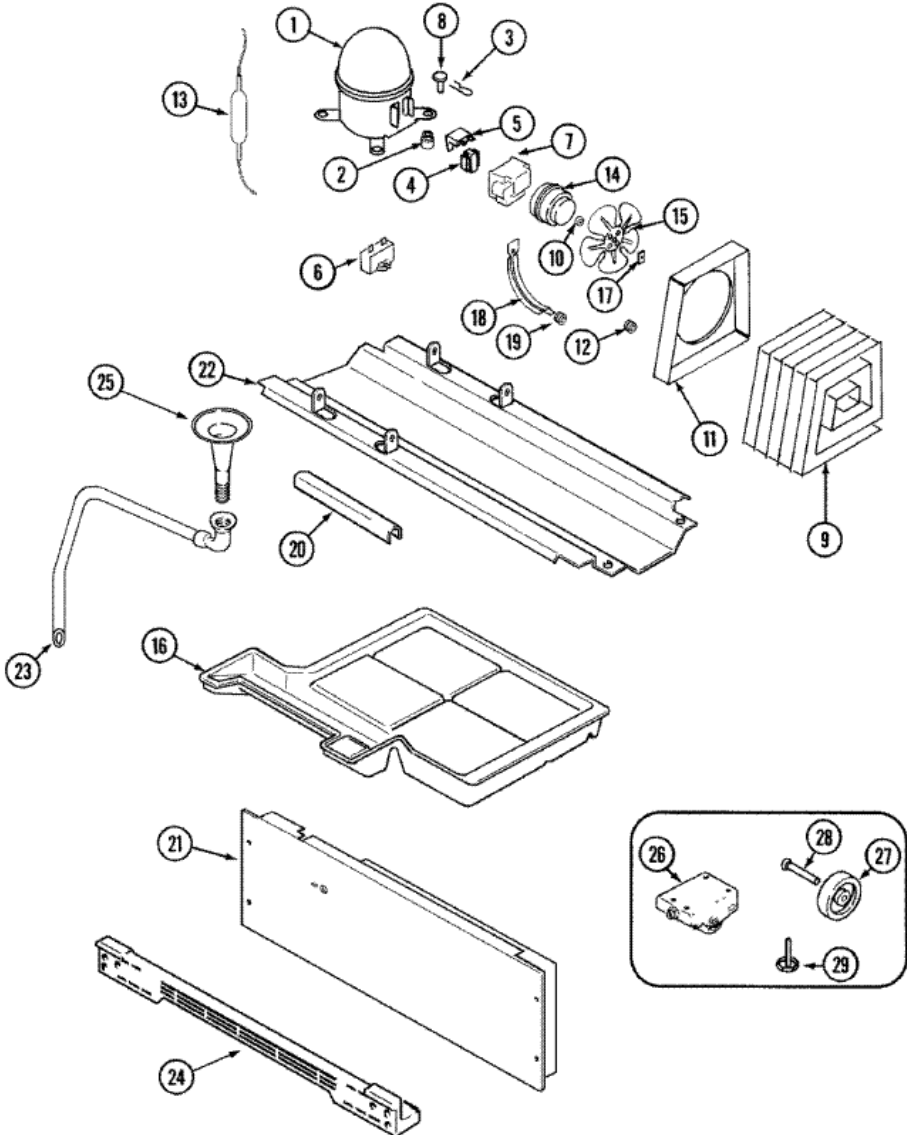


Distribuidor Autorizado

SurteRápido.com

Venta de Refacciones
Electrodomesticas

GS2114PXDW COMPRESSOR





GS2114PXDW COMPRESSOR

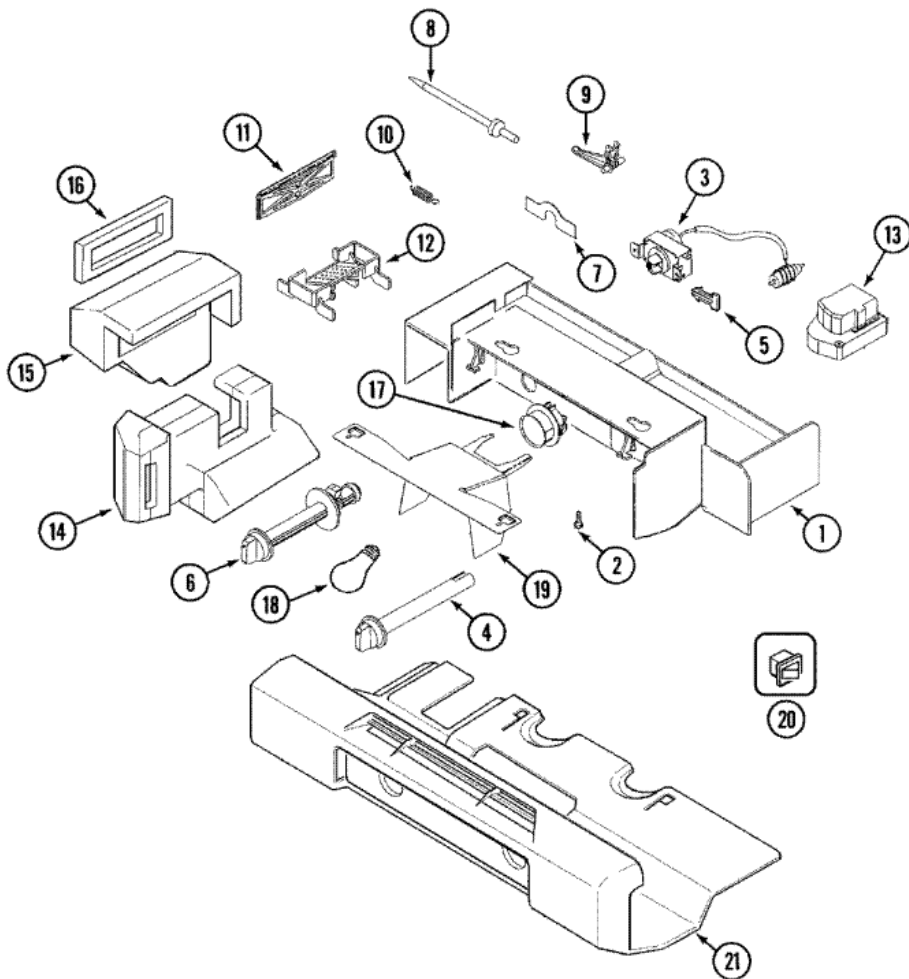
1	4387779	COMPRESSOR ASSY.(R134A-115V) (S/P)
1	61002223	WIRE HARNESS, COMPRESSOR (S/P)
2	61005241	GROMMET, COMPRESSOR (S/P)
2	17245-4	GROMMET, COMPRESSOR (S/P)
3	61005561	CLIP, COMPRESSOR (S/P)
4	61005504	RELAY, START (S/P)
5	61006295	OVERLOAD (S/P)
6	61002137	CAPACITOR, RUN (S/P)
7	61002138	COVER, TERMINAL (S/P)
8	61006030	PLUG, COMPRESSOR (S/P)
9	61005453	CONDENSER (S/P)
10	61001686	WASHER, FAN BLADE (S/P)
11	61001941	SHROUD, CONDENSER (S/P)
12	61002033	GROMMET, CONDENSER TUBING (S/P)
13	13900-1	DRIER (S/P)
14	833697	MOTOR, CONDENSER FAN
15	12587601	BLADE, CONDENSER FAN (S/P)
16	61004095	PAN, DRAIN (S/P)
17	486692	CLIP, FAN BLADE (S/P)
18	69181-1	BRACKET, FAN MOTOR (S/P)
19	56933-1	GROMMET, BRACKET (S/P)
20	61001974	ISOLATOR, CONDENSER (S/P)
21	61004725	COVER, COMPRESSOR COMPARTMENT (S/P)
22	61003132	PAN, COMPRESSOR MTG. (S/P)
22	61005262	PAN, COMPRESSOR MTG. (S/P)
23	61003133	HOSE, DRAIN (S/P)
23	53516-9	CLAMP (S/P)
24	61004261	DESCONTINUADO
25	61004751	TUBE, DRAIN (S/P)
26	61002066	WHEEL ASSY. (FRT) (S/P)
26	61005232	WHEEL ASSY. (FRT) (S/P)
27	61003826	WHEEL (REAR) (S/P)
28	61002104	PIN, WHEEL (S/P)
29	69810-1	CAP, LEVELING LEG (S/P)
29	61002014	LEG, LEVELING (S/P)

Distribuidor Autorizado

SurteRápido.com

Venta de Refacciones
Electrodomesticas

GS2114PXDW CONTROLS





GS2114PXDW CONTROLS

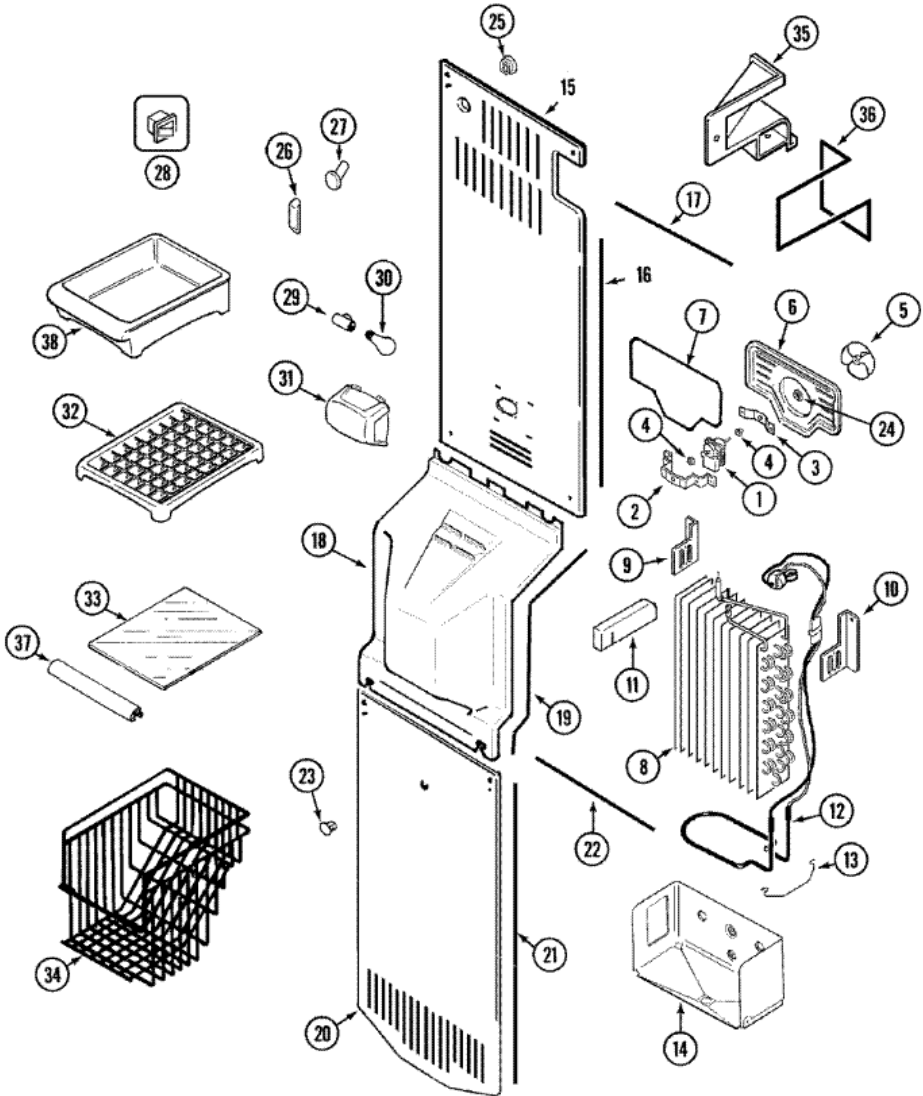
1	400031-1	SCREW (S/P)
1	61003135	HOUSING, CONTROL (S/P)
1	61003152	FOIL, HEAT SHIELD (S/P)
2	61004314	SCREW (No.8 AB) (S/P)
3	61003456	CONTROL ASSY., TEMPERATURE (S/P)
4	61003136	KNOB, TEMP. CONTROL (S/P)
5	61003137	CLIP, TEMP. KNOB (S/P)
6	61003138	KNOB, FRZ. CONTROL (S/P)
7	61003139	RETAINER, FRZ. KNOB (S/P)
8	61003155	ROD, DAMPER CAM (S/P)
9	61003140	FOLLOWER, CAM (S/P)
10	61003141	SPRING, DAMPER DOOR (S/P)
11	61003142	DOOR, DAMPER (S/P)
12	61004278	BRACKET, MASS HOLDER (S/P)
13	405007-1	SCREW (S/P)
13	68233-2	TIMER, DEFROST (S/P)
14	61003144	INSULATION, DISCHARGE (LT) (S/P)
14	61004279	INSULATION, DISCHARGE (RT) (S/P)
15	67002286	SEAL, TUNNEL TO HOUSING (S/P)
15	61003146	TUNNEL, CONTROL HOUSING (S/P)
16	61003819	SEAL, TUNNEL (S/P)
17	61005604	RECEPTACLE, BULB (S/P)
18	61001787	BULB, LIGHT
19	61003149	SHIELD, HEAT (S/P)
20	1118894	SWITCH, LIGHT (S/P)
21	61003217	SHIELD, LIGHT (S/P)
22	61003233	WIRE HARNESS, FRZ./F.F. (S/P)
22	61004280	WIRE HARNESS, CONTROLS (S/P)

Distribuidor Autorizado

SurteRápido.com

Venta de Refacciones
Electrodomesticas

GS2114PXDW FREEZER COMPARTMENT



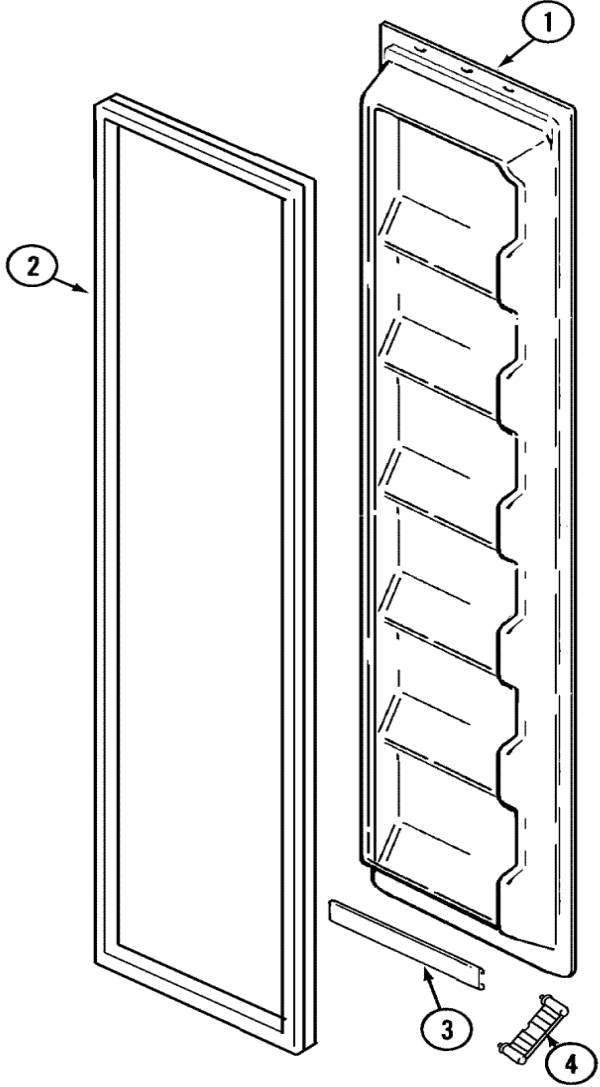


GS2114PXDW FREEZER COMPARTMENT

1	61004888	MOTOR, EVAPORATOR FAN
2	61001930	BRACKET, EVAPORATOR FAN (S/P)
2	61001885	SCREW (S/P)
3	61001885	SCREW (S/P)
3	61002234	RETAINER, EVAPORATOR FAN (S/P)
4	61002235	BUSHING, EVAPORATOR FAN (S/P)
5	61001935	BLADE, EVAPORATOR FAN (S/P)
6	61003199	SHROUD, FAN (S/P)
7	61003828	SEAL (S/P)
8	12001639	EVAP/HEAT EXCH, ASSY 21 SXS APD (S/P)
9	61003215	BRACKET, EVAPORATOR (LT) (S/P)
10	61003216	BRACKET, EVAPORATOR (RT) (S/P)
11	61003213	BLOCK, AIR (S/P)
12	61006116	HEATER & THERM. ASSY., DEFROST
13	67005457	CLIP, DEFROST HEATER (S/P)
14	61003203	HOUSING, EVAPORATOR (S/P)
15	61003192	COVER, COIL (UPR) (S/P)
15	400027-28	SCREW (S/P)
16	61003832	SEAL (S/P)
17	61003207	SEAL (S/P)
18	61003193	COVER, EVAPORATOR FAN (S/P)
19	61003832	SEAL (S/P)
20	61003194	COVER, COIL (LWR) (S/P)
20	400027-28	SCREW (S/P)
21	61003832	SEAL (S/P)
22	61003837	DESCONTINUADO
23	61001952	PLUG BUTTON, EVAP. COVER (S/P)
24	61003198	SLINGER, DISC (S/P)
25	61002028	DESCONTINUADO
26	61002027	CAP, I/M WIRE HARNESS (S/P)
27	61002026	CAP, FILL TUBE (S/P)
28	1118894	SWITCH, LIGHT (S/P)
29	68974-3	RECEPTACLE, BULB
30	8009	BULB, LIGHT (S/P)
31	61002272	SHIELD, LIGHT (S/P)

32	61002140	TRAY, ICE (S/P)
33	61003257	SHELF, FRZ. (S/P)
33	61003256	SHELF, FRZ. (S/P)
34	61006094	BASKET, FRZ. (S/P)
35	61003205	DIVERTER, AIR (S/P)
35	400017-1	SCREW (S/P)
36	61003206	SEAL, AIR DIVERTER (S/P)
37	61003255	TRIM, SHELF (S/P)
38	61002177	PAN, ICE (S/P)
39	61003197	WIRE HARNESS, FRZ. (S/P)
39	61003204	WIRE HARNESS, FAN & HEATER (S/P)

GS2114PXDW FREEZER INNER DOOR

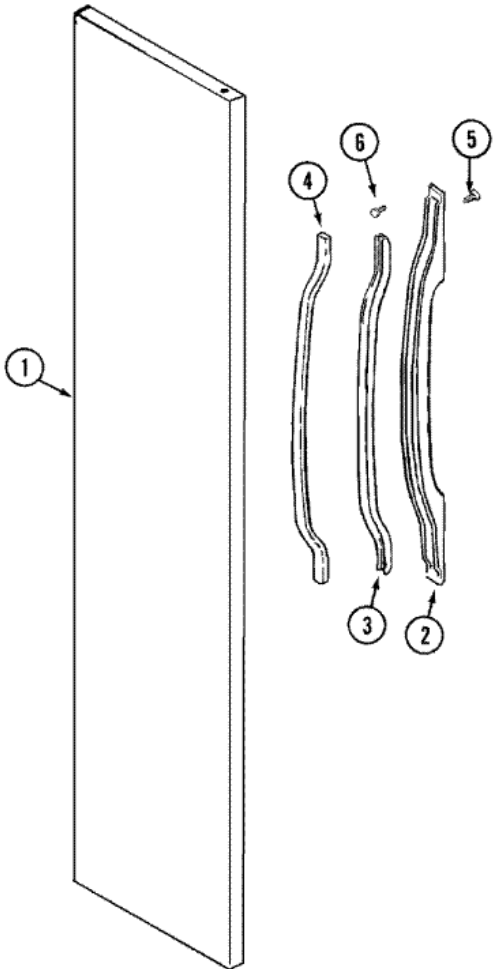
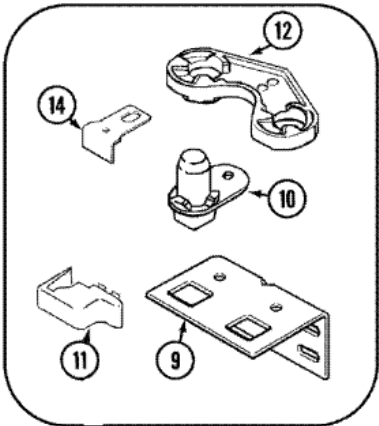
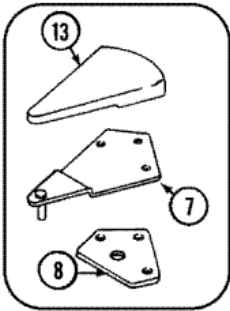




GS2114PXDW FREEZER INNER DOOR

1	65275-5	SCREW (S/P)
1	61003187	LINER, FRZ. DOOR (S/P)
2	61003188	SEAL, FRZ. DOOR (WHT) (S/P)
3	61003226	TRIM, DOOR SHELF (S/P)
4	61003190	RETAINER, SHELF TRIM (S/P)

GS2114PXDW FREEZER OUTER DOOR

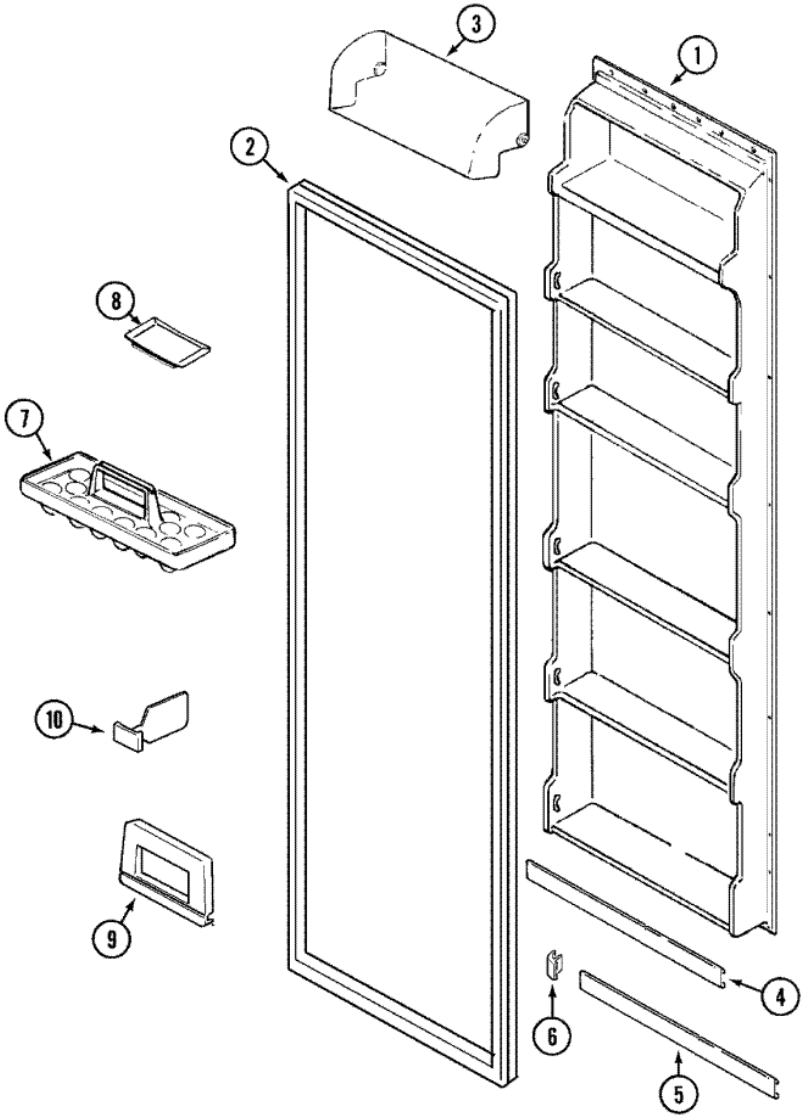




GS2114PXDW FREEZER OUTER DOOR

1	61003183	PANEL, FRZ. DOOR (WHT) (S/P)
2	61003167	HANDLE (WHT) (S/P)
3	61003168	DESCONTINUADO
4	61003169	INSERT, HANDLE (WHT) (S/P)
5	61003172	SCREW (S/P)
6	61002180	SCREW (S/P)
7	61004896	HINGE, UPPER (S/P)
7	65275-86	SCREW, UPPER HINGE (S/P)
8	61001922	SHIM, UPPER HINGE (S/P)
9	61001918	HINGE, LOWER (WHT) (S/P)
9	61003128	SCREW (S/P)
10	61003174	PIN, LOWER HINGE
11	61003219	COVER, LOWER HINGE (WHT) (S/P)
12	61002180	SCREW (S/P)
12	61003647	CLOSER, DOOR (NATURAL)
13	61002076	COVER, UPPER HINGE (WHT) (S/P)
14	61003273	STOP, DOOR (S/P)
14	61002180	SCREW (S/P)

**GS2114PXDW FRESH FOOD INNER
DOOR**

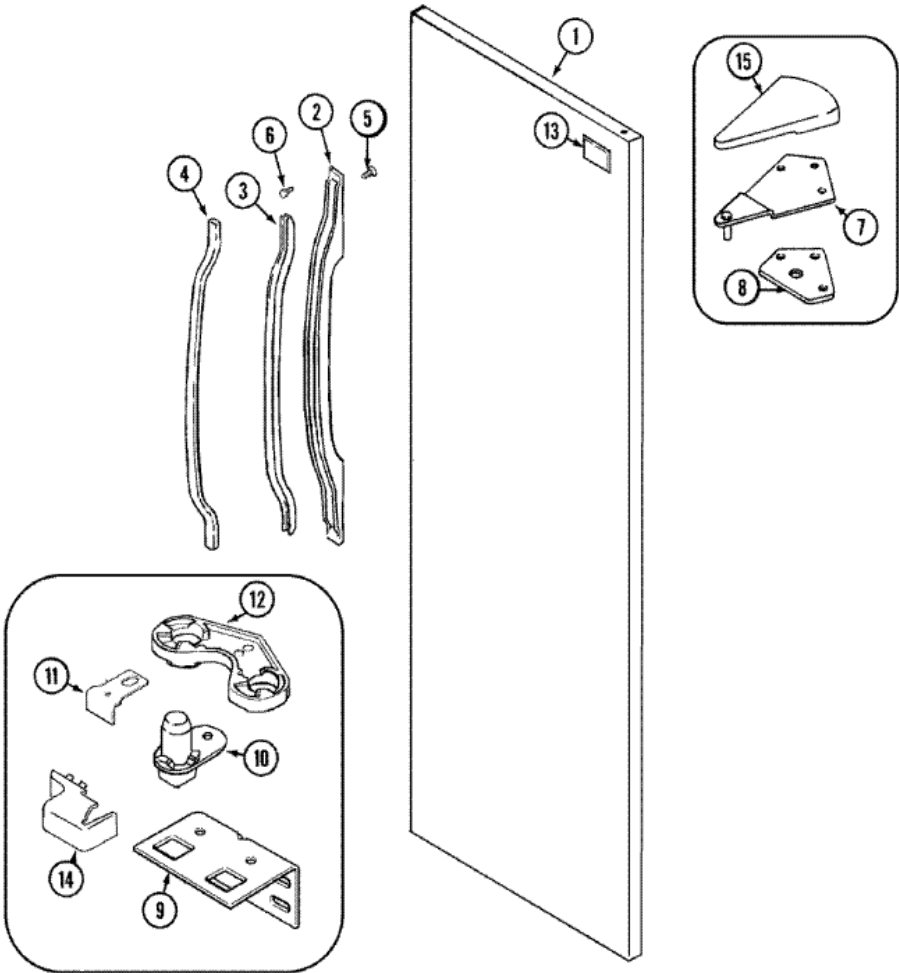




GS2114PXDW FRESH FOOD INNER DOOR

1	61003179	LINER, F.F. DOOR (S/P)
1	65275-5	SCREW (S/P)
2	61006011	SEAL, F.F. DOOR (WHT) (S/P)
3	61003365	DOOR, DAIRY (S/P)
4	61003182	TRIM, DOOR SHELF (S/P)
5	61003547	TRIM, DOOR SHELF (S/P)
6	61003280	END CAP, SHELF TRIM (RT) (S/P)
6	61003279	END CAP, SHELF TRIM (LT) (S/P)
7	67004411	TRAY, EGG (S/P)
8	67004412	TRAY, BUTTER (S/P)
9	61002333	RETAINER, BOTTLE (S/P)
10	61003098	ORGANIZER, SHELF (S/P)

**GS2114PXDW FRESH FOOD OUTER
DOOR**

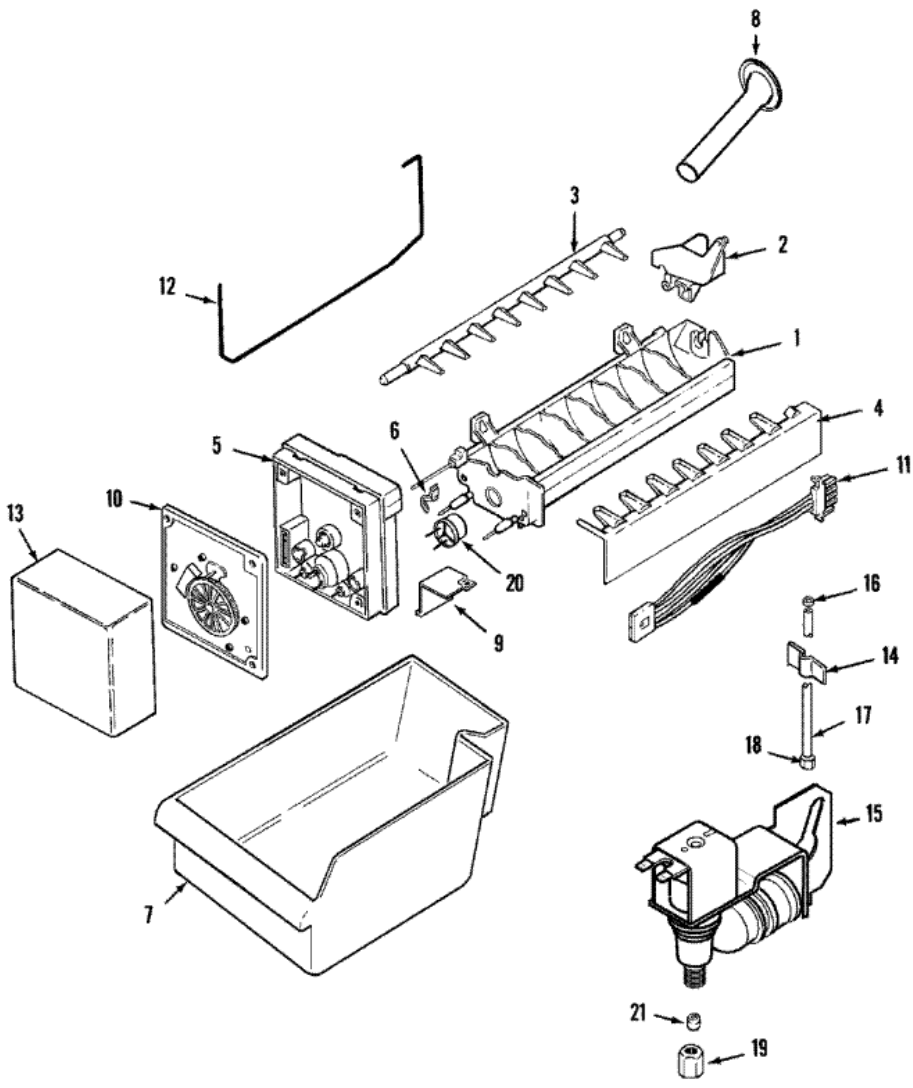




GS2114PXDW FRESH FOOD OUTER DOOR

1	61004604	PANEL, F.F. DOOR (WHT) (S/P)
2	61003167	HANDLE (WHT) (S/P)
3	61003168	DESCONTINUADO
4	61003169	INSERT, HANDLE (WHT) (S/P)
5	61003172	SCREW (S/P)
6	61002180	SCREW (S/P)
7	61004896	HINGE, UPPER (S/P)
7	65275-86	SCREW, UPPER HINGE (S/P)
8	61001922	SHIM, UPPER HINGE (S/P)
9	61001918	HINGE, LOWER (WHT) (S/P)
9	61003128	SCREW (S/P)
10	61003174	PIN, LOWER HINGE
11	61003273	STOP, DOOR (S/P)
11	61002180	SCREW (S/P)
12	61002180	SCREW (S/P)
12	61003647	CLOSER, DOOR (NATURAL)
13	66981-5	BEZEL, NAMEPLATE (WHT) (S/P)
14	61003220	COVER, LOWER HINGE (WHT) (S/P)
15	61002076	COVER, UPPER HINGE (WHT) (S/P)

GS2114PXDW ICE MAKER KIT

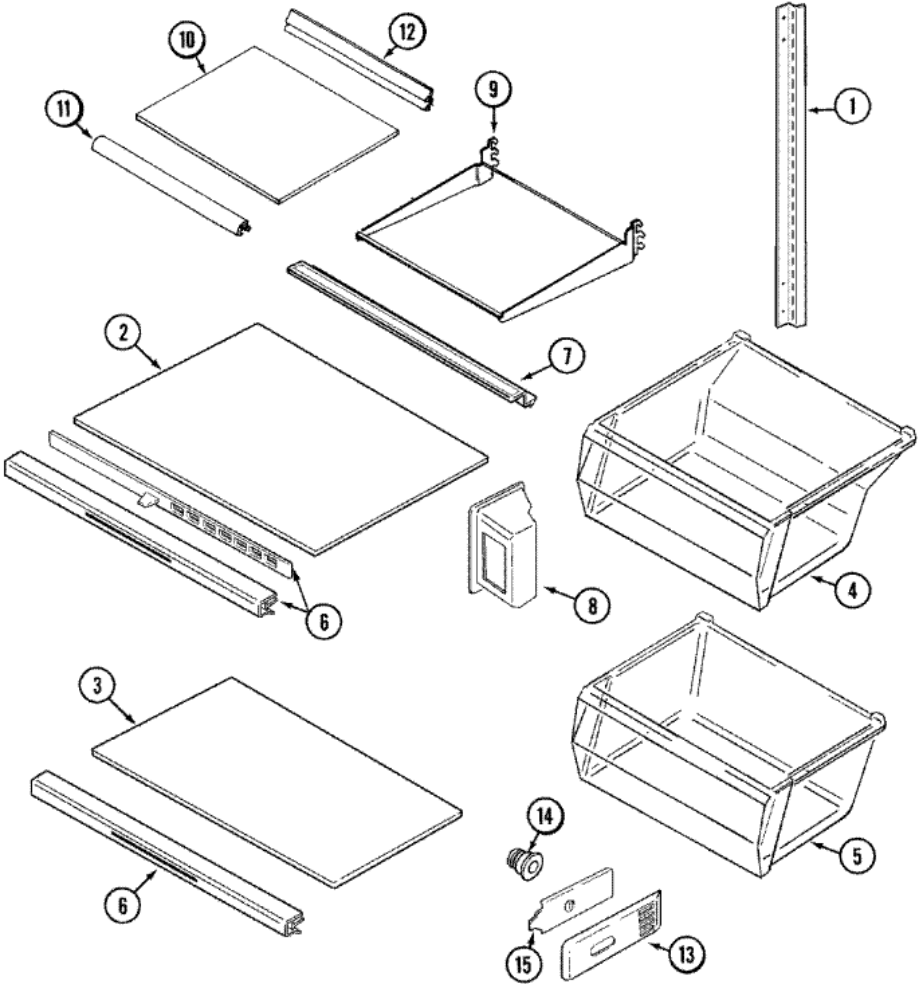




GS2114PXDW ICE MAKER KIT

1	99003172	GREASE, SILICONE (S/P)
1	D7824706Q	MOLD & HEATER ASSY.
2	628356	INLET, WATER
3	627843	EJECTOR, ICE (S/P)
4	2182124	STRIPPER, ICE (S/P)
5	95106-1	SCREW (S/P)
5	2195914	SUPPORT, MODULE HOUSING (S/P)
6	2315522	RETAINER, THERMOSTAT (S/P)
7	61001886	PAN, ICE (S/P)
8	12001935	GROMMET, WATER ENTRY (S/P)
9	625910	BRACKET, MODULE & HEATER (S/P)
9	95108-1	SCREW, BRACKET (S/P)
10	400021-1	SCREW (S/P)
10	D7824706Q	MODULE, ICE MAKER
10	53808-38	FOIL, FOUNTAIN FRONT (S/P)
11	61003572	WIRE HARNESS, ICE MAKER (S/P)
11	61003575	WIRE HARNESS, ICE MAKER (S/P)
12	68112-1	ARM, SENSOR (S/P)
13	61005374	COVER, ICE MAKER (S/P)
14	53516-8	CLAMP, TUBING (S/P)
14	400016-1	SCREW (S/P)
14	61001889	CLIP, WATER LINE (ADHESIVE) (S/P)
15	61005273	VALVE, WATER (S/P)
15	61002819	SCREW (S/P)
16	60333-4	CLAMP, SPRING (S/P)
17	B5705307	TUBING (S/P)
18	69583-1	NUT, COMPRESSION (1/4``) (S/P)
19	69432-1	NUT, BRASS (1/4``) (S/P)
20	627985	THERMOSTAT
20	95093-1	CEMENT, ALUMILASTIC (4 OZ.) (S/P)
21	487627	SLEEVE, BRASS (S/P)

GS2114PXDW SHELVES





GS2114PXDW SHELVES

1	400017-1	SCREW (S/P)
1	61003240	RAIL, SHELF SUPPORT (S/P)
2	61003241	GLASS, CRISPER SHELF (S/P)
3	61003157	GLASS, MEAT SHELF (S/P)
4	61006110	PAN, CRISPER (S/P)
5	61006111	PAN, MEAT (S/P)
6	61003162	TRIM (S/P)
6	61003248	TRIM, SHELF (CRISPER-W/SLIDE) (S/P)
7	61003161	SEAL, CRISPER SHELF (REAR) (S/P)
8	61006081	COVER ASSY., AIR RETURN
9	61003373	FRAME, SHELF (S/P)
10	61003247	GLASS, SHELF (S/P)
11	61003245	TRIM, SHELF (S/P)
12	61003244	TRIM, SHELF (S/P)
13	61003250	RETAINER, CONTROL SLIDE (S/P)
14	53726-2	TUNNEL, AIR (MEAT) (S/P)
15	61003249	SLIDE, CONTROL (MEAT) (S/P)