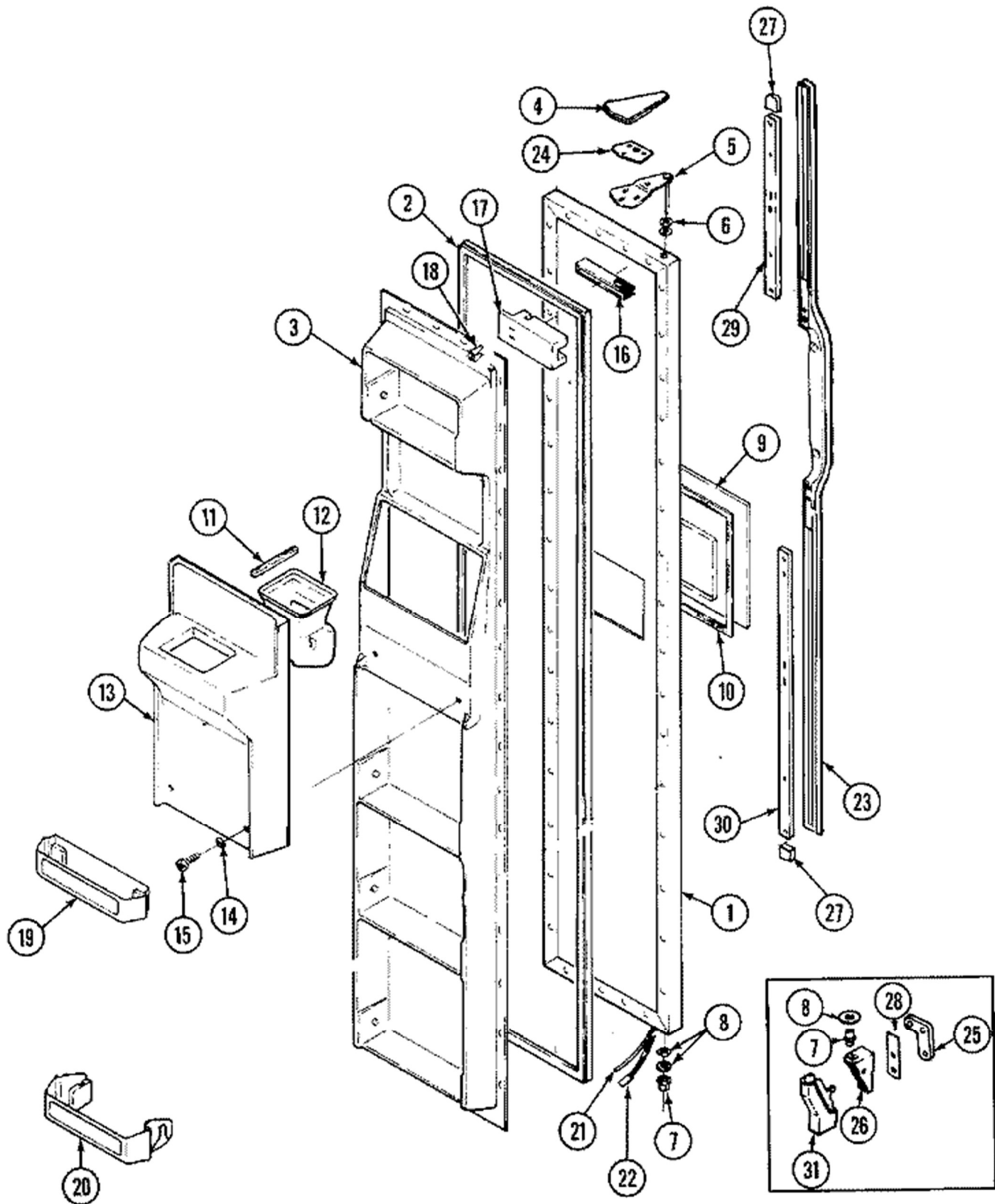
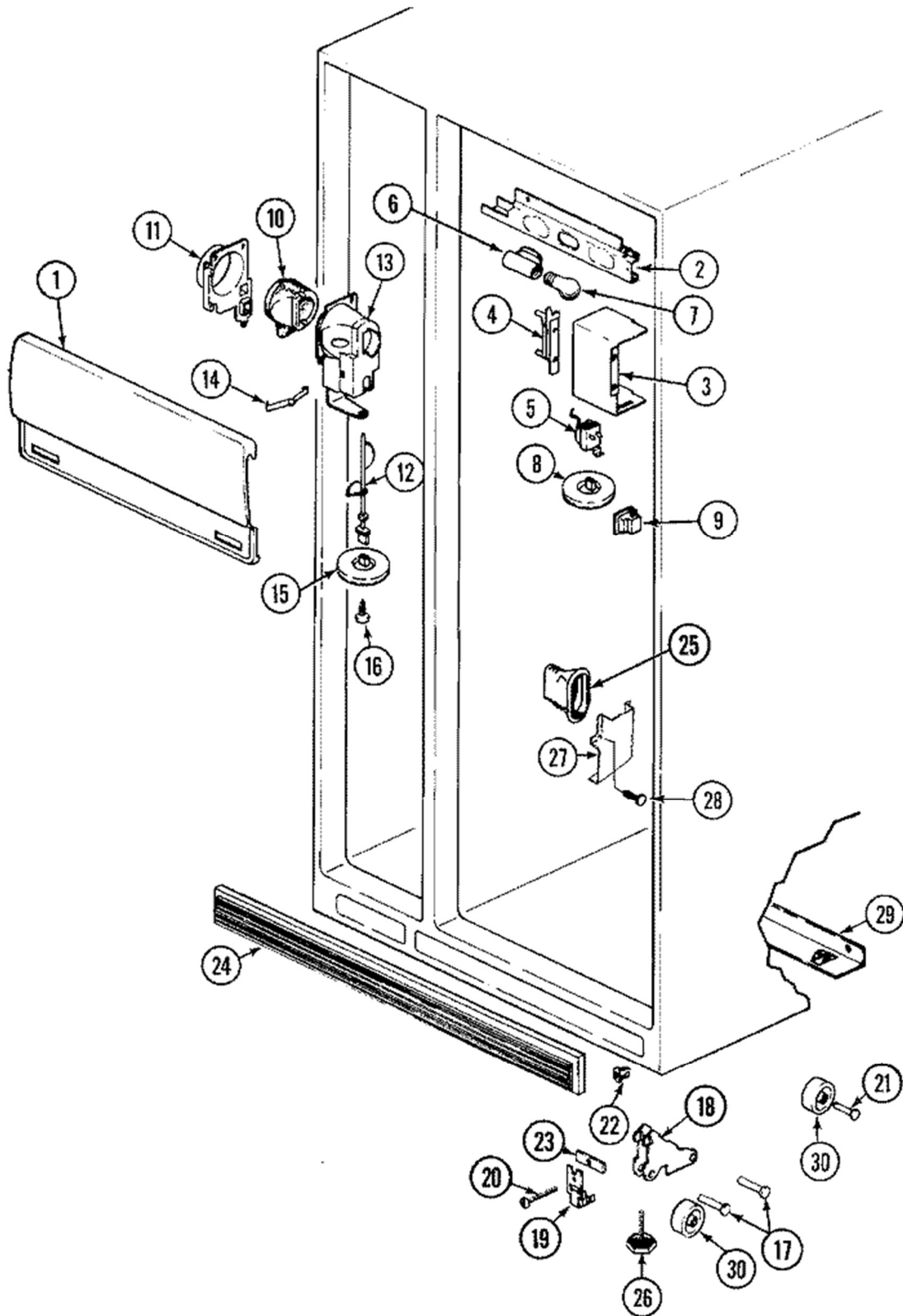


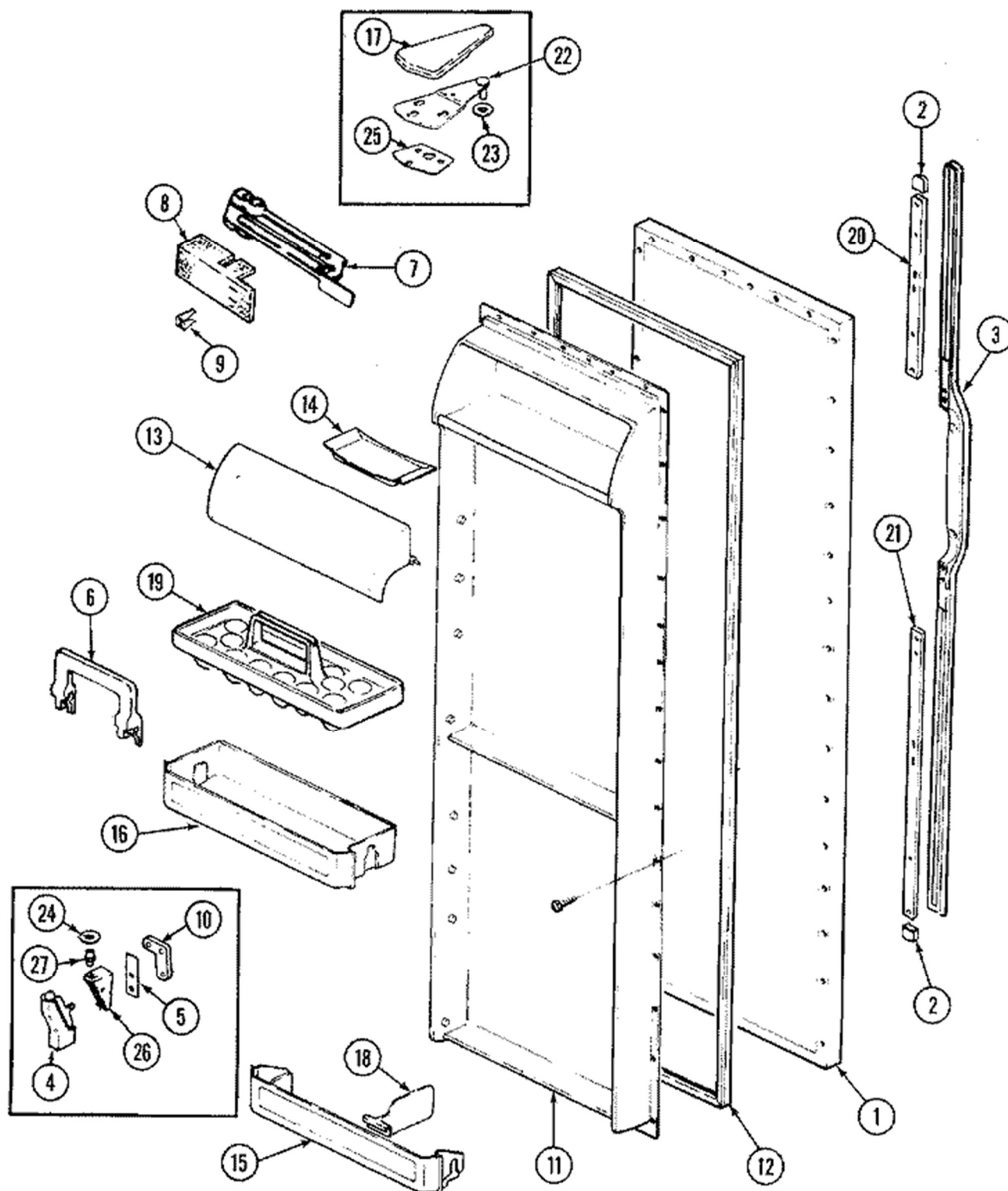
Guía	Descripción	# de parte
3	RETAINER, AIR RETURN	70034-1
4	Screw	W11233072
4	COVER, COIL (UPPER)	67297-5
5	DISCONTINUED	68058-1
6	CLAMP- DRA	53516-5
6	Screw	W11233072
7	Screw	WP488729
8	Gasket - sold by the foot	10839706
9	Seal	WP66325-20
10	Light Socket	12679501
11	Light Bulb - 40W	8009
12	Refrigerator Door Switch	W11384469
13	DISCONTINUED	67292-1
14	BRACKET, MOTOR	67295-1
15	Plastic Tubing	WPB5705307
16	Evaporator Fan Motor - 115V 60Hz - Blade	WP61004888
17	BLADE- EVA	61001770
18	DISCONTINUED	64856-3
18	HARNS-WIRE	69593-1
19	DISCONTINUED	61001756
20	Screw	W11233072
20	COVER, COIL (LOWER)	67335-7
21	ORIFICE- F	67352-1
22	BRACKET, MOUNTING	67288-1
23	INSULATION, AIR RETURN	67837-1
24	Water Hose Clamp	WP488878
25	Screw	W11233072
26	Icemaker Fill Tube	12001935
27	DISCONTINUED	68405-13
28	DISCONTINUED	68630-5
29	TRIM, SHELF	70137-1
30	DRAWER, FRZ.	61001453
31	GASKET- LO	61001771
32	INSERT, DRAWER	68124-100
33	TUBE, DRAIN	26527-11
34	GROMMET	52526-1



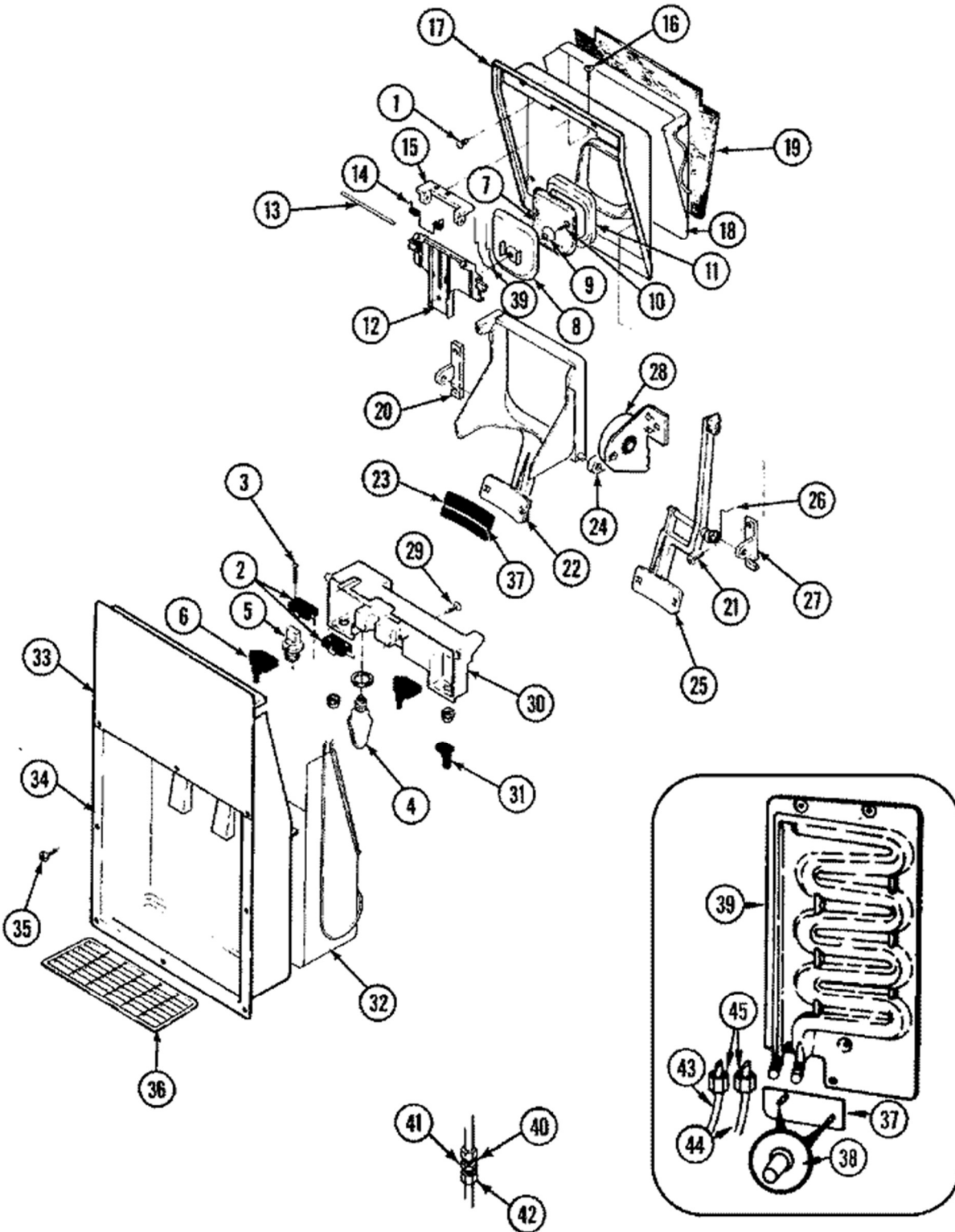
Guía	Descripción	# de parte
1	DISCONTINUED	12001015
2	Freezer Door Gasket - White	70024-1
3	LINER, FRZ. DOOR	69253-1
3	Screw	61005388
4	DISCONTINUED	70121-4
5	HINGE UPPER	53709-26
5	Screw	WP3-24838
6	Washer	WP52185-1
7	Lower Hinge Pin	69845-1
8	Door Spacer Washer	67483-3
9	ESCUTCHEON	68594-10
10	DISCONTINUED	95121-1
11	SEAL	52077-26
12	CHUTE- ICE	69220-1
13	INSULATION	68768-2
13	INSULATION	68770-1
13	PANEL, ACCESS	69223-1
14	STUD	68786-2
15	Screw	7101P345-60
16	CLOSER, DOOR	69258-1
17	DISCONTINUED	52613-1
18	BRACKET- C	69261-1
19	DISCONTINUED	69609-1
20	DISCONTINUED	69606-1
21	Tubing - 5/16"	WP67187-11
22	WIRE HARNESS, DOOR	69865-9
23	DISCONTINUED	12000039
23	DISCONTINUED	495034-900
24	SHIM- UPPE	65031-1
25	TAPPING PLATE, LOWER HINGE	67874-1
25	TAPPING PLATE, LOWER HINGE	67874-1
26	HINGE, LOWER (Black)	69516-1
26	SCREW	65275-46
27	DISCONTINUED	69590-1
28	DISCONTINUED	69510-1
29	DISCONTINUED	69586-3
30	DISCONTINUED	69586-4
31	SCREW	680337
31	Lower Hinge Cover	61001611



Guía	Descripción	# de parte
1	SHIELD, LIGHT REF	69194-2
2	HOUSING, LITE & WIRE	69193-2
2	Screw	WP489478
3	Screw	WP489478
3	HOUSING, TEMPERATURE CONTROL	70178-1
4	SUPPORT, LIGHT SHIELD	67125-1
5	Cold Control Thermostat	WP61001673
5	Screw	WP489399
6	Light Socket	12679501
7	Light Bulb - 40W	8009
8	KNOB	29893-5
9	Refrigerator Door Switch	W11384469
10	INSULATION, HOUSING	58767-1
11	ORIFICE- F	61001230
12	DAMPER, FRZ. CONTROL	67355-1
13	DISCONTINUED	67354-1
14	SPRING- BA	52648-1
15	KNOB	29893-12
16	USE MAC M0230017	400001-1
17	PIN- WHEEL	64965-3
18	DISCONTINUED	62794-1
19	FACEPLATE, BRACKET	67280-1
20	SCREW	56487-5
21	PIN- WHEEL	64965-3
22	Screw	WP489478
23	DISCONTINUED	59101-1
24	Kickplate Grille	68981-8
25	TUNNEL, AIR RETURN	67684-1
26	LEVELER	W11117769
27	DISCONTINUED	12001232
28	RIVET- AIR	28013-2
29	RAIL, HORIZONTAL SUPPORT	61001032
29	SCREW	3400518
30	DISCONTINUED	69812-2

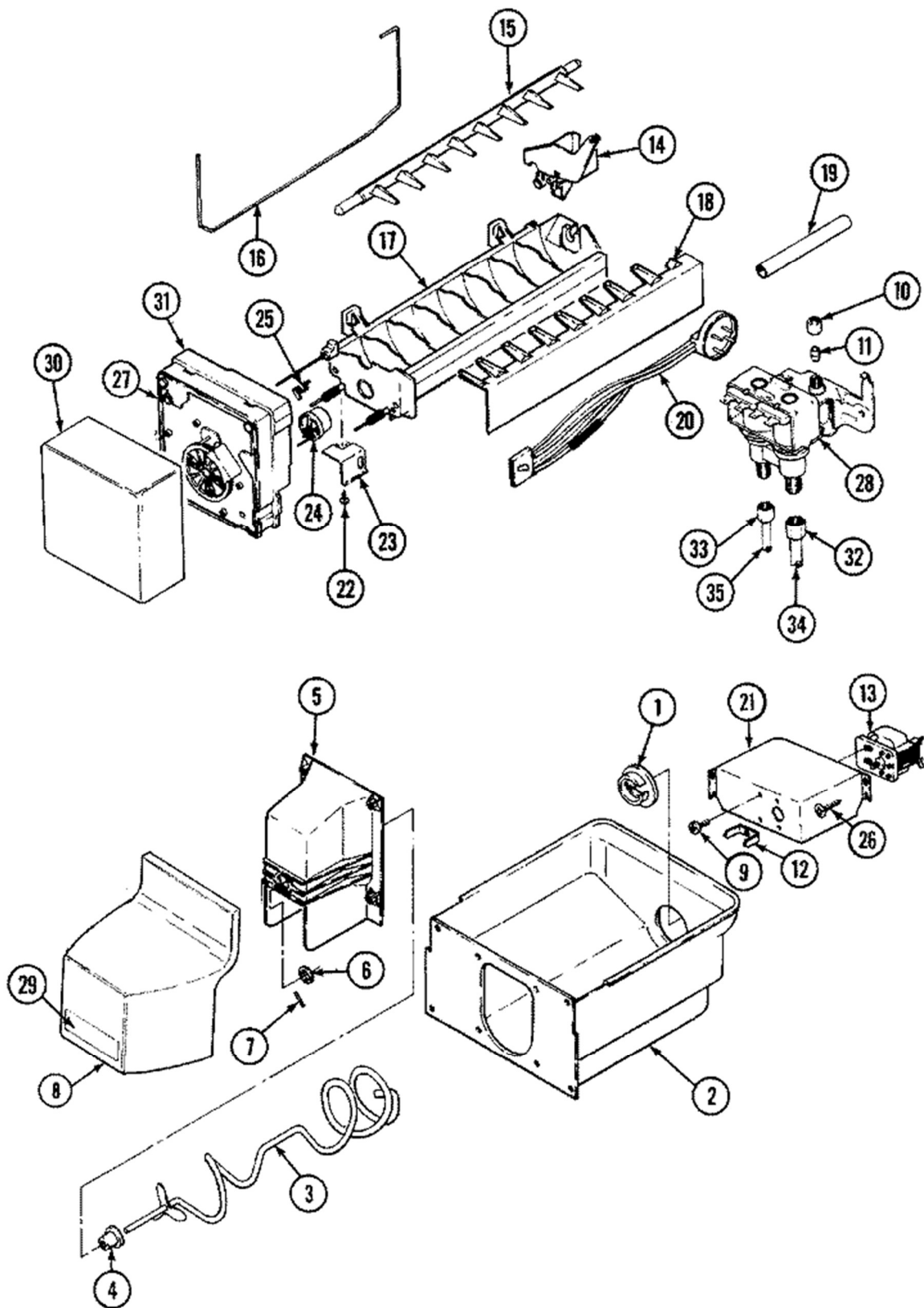


Guía	Descripción	# de parte
1	PANEL, F.F. DOOR (WHT)	72341-3-WW
2	DISCONTINUED	69590-1
3	RETAINER, NAMEPLATE	29356-1
3	ANCHOR- SC	69477-2
4	Lower Hinge Cover	61001611
5	DISCONTINUED	69510-1
6	DISCONTINUED	69795-1
7	CLOSER, DOOR	69258-1
8	DISCONTINUED	52613-1
9	Screw	WP489478
9	BRACKET- C	69261-1
10	TAPPING PLATE, LOWER HINGE	67874-1
10	SCREW	65275-59
11	Screw	61005388
11	LINER, F.F. DOOR	69243-1
12	Fresh Food Door Gasket	70024-4
13	Dairy Door	69918-3
14	Butter Dish	67004412A
15	Refrigerator Door Shelf - White	69607-1
16	SHELF, PICK-OFF	69608-1
17	DISCONTINUED	70121-4
18	DISCONTINUED	69759-2
19	Egg Tray	WP67004411
20	DISCONTINUED	69586-3
21	DISCONTINUED	69586-4
22	Screw	WP3-24838-
22	Screw	WP3-24838-
23	Washer	WP52185-1
24	Door Spacer Washer	67483-3
25	SHIM- UPPE	65031-1
26	SCREW	65275-46
26	HINGE, LOWER (Black)	69516-1
27	Lower Hinge Pin	69845-1



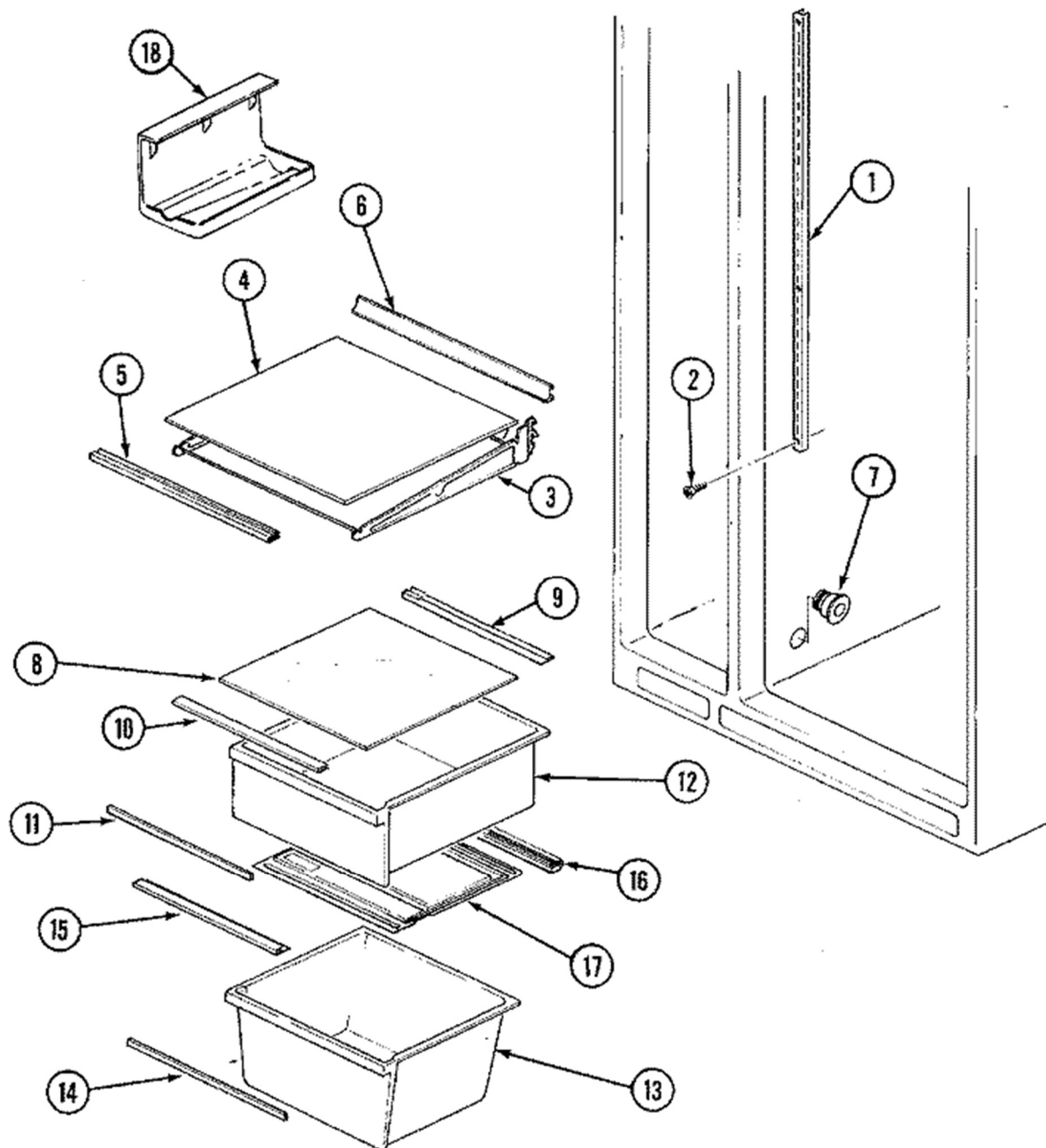
Guía	Descripción	# de parte
1	BUMPER, DOOR	28272-6
2	Ice and Water Actuator Switch	55440-2
3	SCREW	405071-1
4	Light Bulb - 7W	W10857122
5	Light Bulb Socket - White - Socket Only	70119-1
6	SWITCH, LIGHT	69832-3
6	WIRE HARNESS, SWITCH	68491-1
6	NUT- WIRE	27116-5
7	Ice Door Chute Insulation	68557-1
8	DOOR- ICE	68957-2
8	SCREW	405023-35
9	DISCONTINUED	68566-1
10	SCREW	405116-35
11	Ice Door Seal	WP69867-1
12	DISCONTINUED	68563-2
13	SHAFT	68564-1
14	SPRING	68765-1
15	BRACKET, PIVOT	68958-1
16	SCREW	405013-35
17	Back Fountain - Black	68567-1
17	Screw	489392
18	HEATER, FOUNTAIN BACK	68937-1
19	Paddle Trim	68763-1
20	PIVOT, ACTUATOR (LT)	68627-1
21	Screw	489392
22	Ice Maker Dispenser Arm	69112-2
23	Dispenser Arm Pad	69174-2
24	PIVOT- ACT	68764-1
25	Water Paddle - White	68558-2
26	SPRING- PA	68767-1
27	PIVOT, ACTUATOR (RT)	68628-1
28	MOTOR, INTERIA	69275-1
28	Screw	489392
29	Screw	489392
30	BRACKET- S	61001685
30	NUT	70176-1
31	PLUNGER	68568-2
32	Dispenser Grill	68631-1

Guía	Descripción	# de parte
33	FRONT- FOU	68955-1
34	FOUNTAIN	68624-2
35	Screw	489392
36	SPRING- IC	69868-1
37	Water Tubing Clamp	W10833902
37	COVER, WATER LINE CONN.	68522-1
38	NYLON NUT	19530-36
38	SCREW	400048-28
39	Water Tank Kit with Unions	12001447
40	Compression Nut	WP627018
41	Ice Maker Auger and Crusher Blade Assemb	WP12740302
42	Compression Nut - 5/16"	8201513
43	Plastic Tubing	WPB5705307
44	Tubing - 5/16"	WP67187-11
45	Compression Nut	WP627018

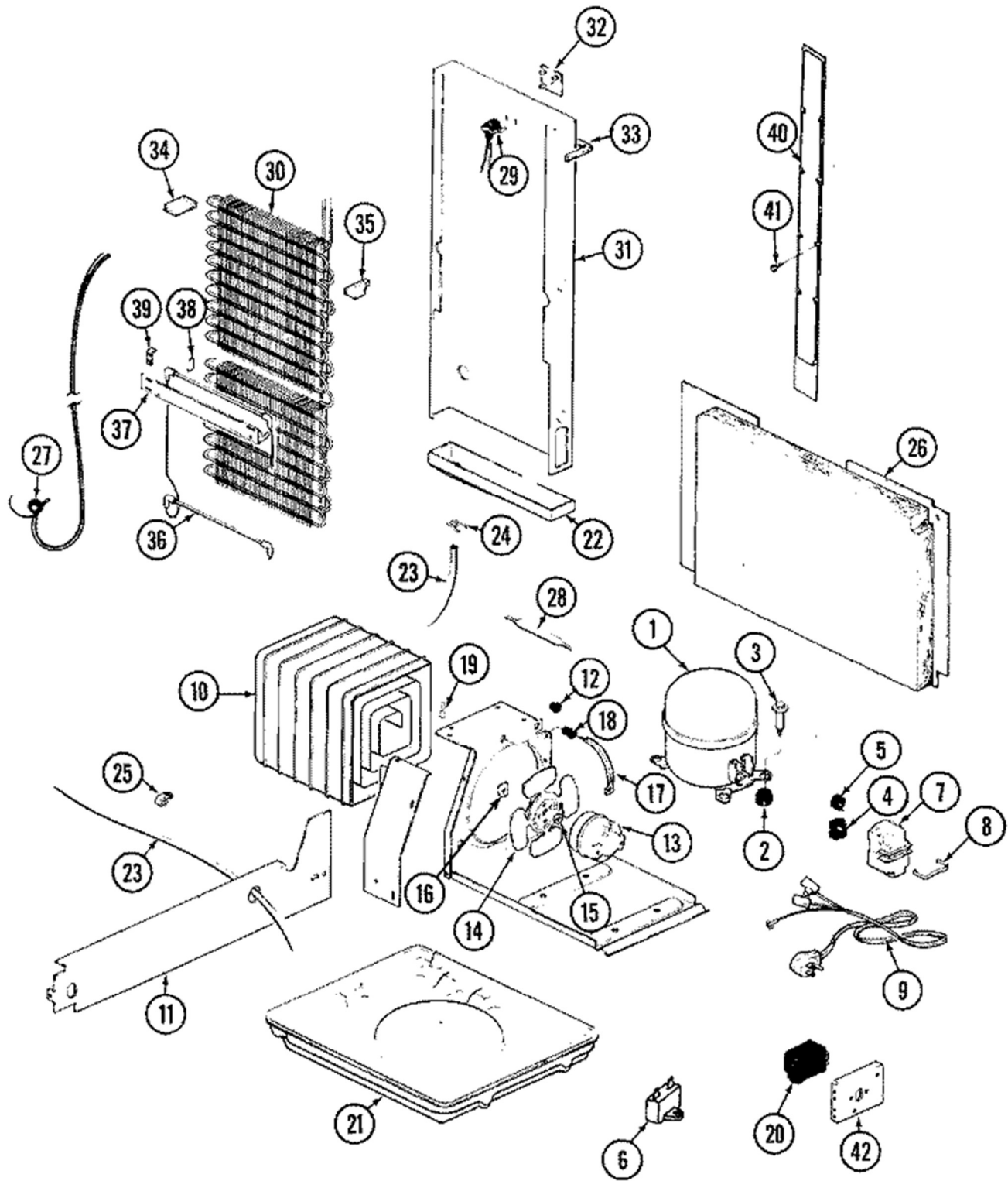


Guía	Descripción	# de parte
1	Ice Bin Drive Ring	WP61003336
2	DISCONTINUED	67826-1
3	AUGER	67833-1
4	BEARING	67172-2
5	Ice Bin Dam	67829-1
6	WASHER- TH	67834-2
7	PIN- COTTE	492007-703
8	FRONT, ICE BIN	69612-1
8	Screw	489392
9	Screw	WP488234
10	Compression Nut	WP245183
11	TRIM, MIDDLE CLEAR CT27N	WP487627
12	Ice Dispenser Engagement Yoke	WP63052-2
13	Ice Bucket Auger Drive Motor Kit	12001773
13	HARNS-WIRE	69048-1
14	Water Fill Cup and Bearing	WP628356
15	Ejector Arm	WP627843
16	ARM-SHUT	W11342242
17	Replacement Ice Maker	D7824706Q
18	Ice Stripper	WP2182124
19	DISCONTINUED	67676-1
20	Icemaker Wire Harness	70076-1
21	BOX- AUGER	67296-2
22	Screw	WP489128
23	Bracket	WP2256087
24	Cycling thermostat	WP627985
24	CEMENT, ALUMILASTIC (4 OZ.)	95093-1
25	Retainer, Thermostat	WP2315522
26	Screw	WP4449746
27	Screw	WP400021-1
27	Replacement Ice Maker	D7824706Q
28	SCREW	401018-1
28	Double Outlet Water Valve Kit	12001414
28	BUMPER, DOOR	28272-6
29	PANEL, ACCESS	69223-1
29	FRONT Assembly, I/M SXS	69874-5
30	Ice Maker Cover	61005374
31	Screw	WP681249
31	Motor Housing	WP2195914

Guía	Descripción	# de parte
32	Compression Nut - 5/16"	8201513
33	Compression Nut	WP627018
34	Tubing - 5/16"	WP67187-11
35	Plastic Tubing	WPB5705307
35	Screw	W11233072
35	Water Tubing Clamp	W10833902



Guía	Descripción	# de parte
1	RAIL, SHELF SUPPORT	67311-1
2	SCREW	3-80732-001
3	DISCONTINUED	65618-7
3	FRAME, SHELF	61001449
4	Deli Drawer	61001451
4	DISCONTINUED	68316-1
4	DISCONTINUED	68316-13
5	DISCONTINUED	61001660
6	DISCONTINUED	61001450
7	TUNNEL, AIR (MEAT)	53726-2
8	Crisper Drawer Glass Shelf	68139-23
9	Crisper Drawer Glass Shelf Seal	68157-2
10	Crisper Drawer Seal - front	66650-2
11	DISCONTINUED	68124-105
12	Crisper Drawer	61001573
13	Meat Drawer	61001574
14	DISCONTINUED	68124-104
15	SEAL, MEAT PAN (FRONT)	65648-2
16	SEAL, MEAT PAN (REAR)	65649-2
17	COVER, MEAT PAN	65608-6
18	HOLDER, BEVERAGE	69615-1



Guía	Descripción	# de parte
1	Compressor Kit - 115V 60Hz	W10309995
1	Compressor	W10619807
2	GROMMET- C	17245-4
3	WIRE HARNE	69062-1
3	HARNS-WIRE	61001017
3	SCREW	65275-9
4	Refrigerator Compressor Start Relay	WP10097202
4	Relay	WP10097204
4	RELAY- STA	66858-1
5	OVERLOAD	69105-8
5	SUB 69105-3	10377018
5	SPRING- OV	B8358301
5	OVERLOAD-T	10377025
5	DISCONTINUED	63294-19
6	Capacitor	WPW10662129
6	Run Capacitor	WP65889-4
6	Run Capacitor	WP65889-4
7	COVER, TERMINAL	66589-1
7	COVER, TERMINAL	69754-1
8	CLIP- TERM	59596-1
8	RETAINER	65886-1
9	DISCONTINUED	52890-3
10	SCREW	400062-1
10	U-NUT- CON	60408-2
10	CONDENSER	64998-1
11	Screw	WP488729
11	BAFFLE, AIR DIVIDER	70362-1
12	GROMMET, CONDENSER TUBING	53351-1
13	Screw	WPM0223816
13	Condenser Fan Motor Kit	833697
14	BLADE- CON	WP12587601
15	WASHER, FAN BLADE	19913-2
16	CLIP, MOUNTING FAN BLADE	55042-1
17	BRACKET- F	69181-1
18	Bracket Grommet	WP61004743
19	CLIP- MOTO	57051-1
20	Screw	61005388
20	Defrost Timer - 120V 60Hz	WP68233-3
21	Defrost Evaporator Pan	WP68236-1

Guía	Descripción	# de parte
22	TROUGH, DRAIN	53523-1
23	DRAIN HOSE	26911-19
24	Hose Clamp	WP596669
25	CLAMP- DRA	53516-5
26	DISCONTINUED	66339-3
27	HEAT EXCHA	65013-25
27	COVER, HEAT EXCHANGER	26088-22
28	Drier (Service)	WPW10143759
29	Defrost Thermostat	WP52085-29
30	EVAPORATOR	52551-21
31	HOUSING, EVAPORATOR	68834-1
32	BOARD, TERMINAL	55878-1
33	SEAL	66325-18
34	SEAL, STYROFOAM-(LEFT)	65063-1
35	SEAL, STYROFOAM-(RIGHT)	65064-1
36	Defrost Heater - 500W 115V	WP61001846
37	Screw	WP489478
37	DISCONTINUED	29915-12
38	CLIP- DEFR	52067-1
39	BRACKET- H	52561-1
39	WIRE HARNE	70266-1
40	COVER	66381-1
41	Screw	WP489478
42	Screw	WP489478
42	BRACKET, MOUNTING TIMER	29282-2
43	MANUAL, USE & CARE	108429-3

